

# A/AH ATTENUATORS

SMA General Purpose, DC - 18 GHz, 2 Watts



## SPECIFICATIONS:

Models: 9026, 9027, 9028, 9029, 9030, 9031

**RoHS**  
Compliant

### Electrical:

Frequency Range \_\_\_\_\_ DC - 18 GHz  
 Standard dB Values\* \_\_\_\_\_ 0-10, 12, 15, 20 & 30 dB  
 Attenuation Accuracy \_\_\_\_\_ In 1 dB Increments

0 - 12 dB \_\_\_\_\_ ±0.75 dB  
 13 - 20 dB \_\_\_\_\_ ±1.00 dB  
 21 - 30 dB \_\_\_\_\_ ±1.50 dB

### VSWR

DC - 4 GHz \_\_\_\_\_ 1.20:1 Max.  
 4 - 12.4 GHz \_\_\_\_\_ 1.40:1 Max.  
 12.4 - 18 GHz \_\_\_\_\_ 1.60:1 Max.

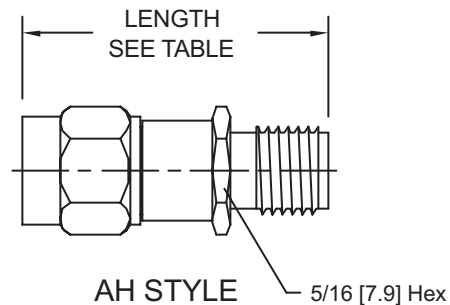
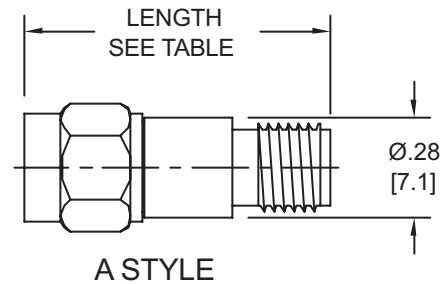
Input Power \_\_\_\_\_ 2 Watts Avg. @ 25°C  
 Derated Linearly to 0.5 Watts @ +125°C

Peak Power \_\_\_\_\_ 250 Watts Max.  
 (5uSec Pulse, .05% Duty Cycle)

Impedance \_\_\_\_\_ 50 Ohms  
 Operating Temp Range \_\_\_\_\_ -65°C to +125°C

### Mechanical:

SMA Connectors \_\_\_\_\_ Passivated Stainless Steel  
 Mates with MIL-STD-348  
 Conductors \_\_\_\_\_ Gold Plated Beryllium Copper



Base Model Number	Body Style	Connector Configuration	LENGTH			
			0 - 12 dB		13 - 30 dB	
			Inches	Millimeters	Inches	Millimeters
9026-XX	A (No-Hex)	Male/Female	.86 ±.03	[21.8 ±0.8]	.99 ±.03	[25.1 ±0.8]
9029-XX	AH (Hex)					
9027-XX	A (No-Hex)	Male/Male	.98 ±.03	[24.9 ±0.8]	1.11 ±.03	[28.2 ±0.8]
9030-XX	AH (Hex)					
9028-XX	A (No-Hex)	Female/Female	.87 ±.03	[22.1 ±0.8]	1.00 ±.03	[25.4 ±0.8]
9031-XX	AH (Hex)					

## HOW TO ORDER:

Model Number: **90yy-xx**

Base Number | | dB Value

### Ordering Examples:

Model Number: **9026-20**  
 20 dB; SMA - Male/Fem; Style A

Model Number: **9031-6**  
 6 dB; SMA - Fem/Fem; Style AH

Model Number: **9027-3**  
 3 dB; SMA - Male/Male; Style A

Note: Dimensions in Brackets are Expressed in Millimeters and are for Reference Only.  
 \*Other dB values are also available.

9026: REV G



Aeroflex / Inmet, Inc. • 300 Dino Drive, Ann Arbor, MI 48103 • U.S.A.  
 888-244-6638 or 734-426-5553 • FAX: 734-426-5557  
 www.aeroflex-inmet.com • inmet-sales@aeroflex.com