



Rated inductance 10 μ H .. 470 μ H

Construction

- Ferrite core
- Winding: enamel copper wire
- Winding soldered to terminals
- Plastic terminal carrier

Features

- High rated current
- Low DC resistance
- Suitable for reflow soldering (IR and vapor phase)

Applications

- Filtering of supply voltages
- Coupling / decoupling
- DC/DC converters
- Automotive electronics

Terminals

- Tinned

Marking

Marking on component:
Manufacturer, L value (in μ H)

Minimum marking on reel:
Manufacturer, part number, ordering code,
L value and tolerance
quantity, date of packing

Delivery mode

16-mm blister tape , reel packing
packaging quantity 1000pcs/reel



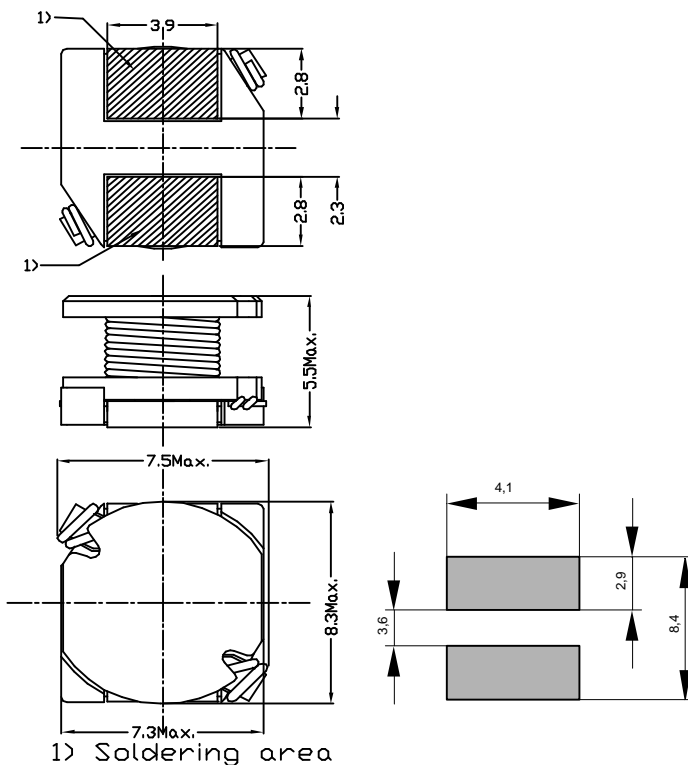
SMT-Power-Inductors

B82473

DATA SHEET

SMD**General technical data**

Rated inductance L_R	Measured with HP 4284A , measuring voltage 100 mV
Rated current I_R	Maximum permissible DC with temperature increase of ≤ 40 K at ambient temperature of 85 °C
Saturation current I_{sat}	Maximum permissible DC with inductance decrease $\Delta L/L_0 \approx 10\%$
Climatic category	In accordance with IEC 60068-1 55/125/56 (-55 °C/ $+125$ °C/ 56 days damp heat test)
Solderability	5s, 235 °C, wetting $> 90\%$
DC resistance R_{max}	Measured at 20 °C ambient temperature
Weight	Approx. 1,5g

Dimensional drawing and layout recommendation



Characteristics and ordering codes

L_R μH	f_L MHz	Tolerance	I_R A	I_{Sat} A	R_{max} Ω	Ordering code
10	0,1	10 %	2,30	2,50	0,07	B82473-A1103-K
15	0,1	10 %	1,80	2,00	0,09	B82473-A1153-K
22	0,1	10 %	1,50	1,60	0,11	B82473-A1223-K
33	0,1	10 %	1,20	1,30	0,13	B82473-A1333-K
47	0,1	10 %	1,10	1,20	0,18	B82473-A1473-K
68	0,1	10 %	0,85	0,90	0,28	B82473-A1683-K
100	0,1	10 %	0,72	0,80	0,43	B82473-A1104-K
150	0,1	10 %	0,58	0,65	0,64	B82473-A1154-K
220	0,1	10 %	0,49	0,55	0,96	B82473-A1224-K
330	0,1	10 %	0,40	0,45	1,26	B82473-A1334-K
470	0,1	10 %	0,34	0,40	1,96	B82473-A1474-K