

MP7610



Octal 14-Bit DAC Array^{1M}
D/A Converter with Output Amplifier
and Serial Data/Address μ P Control Logic

June 1998-3

FEATURES

- Eight Independent 14-Bit DACs with Output Amplifiers
- Low Power 320 mW (typ.)
- Serial Digital Data and Address Port (3-Wire Standard)
- 14-Bit Resolution, 12-Bit Accuracy
- Extremely Well Matched DACs
- Extremely Low Analog Ground Current ($<60\mu\text{A}/\text{Channel}$)
- $\pm 10\text{ V}$ Output Swing with $\pm 11.4\text{ V}$ Supplies
- Zero Volt Output Preset (Data = 10 .. 00)
- Rugged Construction – Latch-Up Free
- Parallel Version: MP7611

APPLICATIONS

- Data Acquisition Systems
- ATE
- Process Control
- Self-Diagnostic Systems
- Logic Analyzers
- Digital Storage Scopes
- PC Based Controller/DAS

GENERAL DESCRIPTION

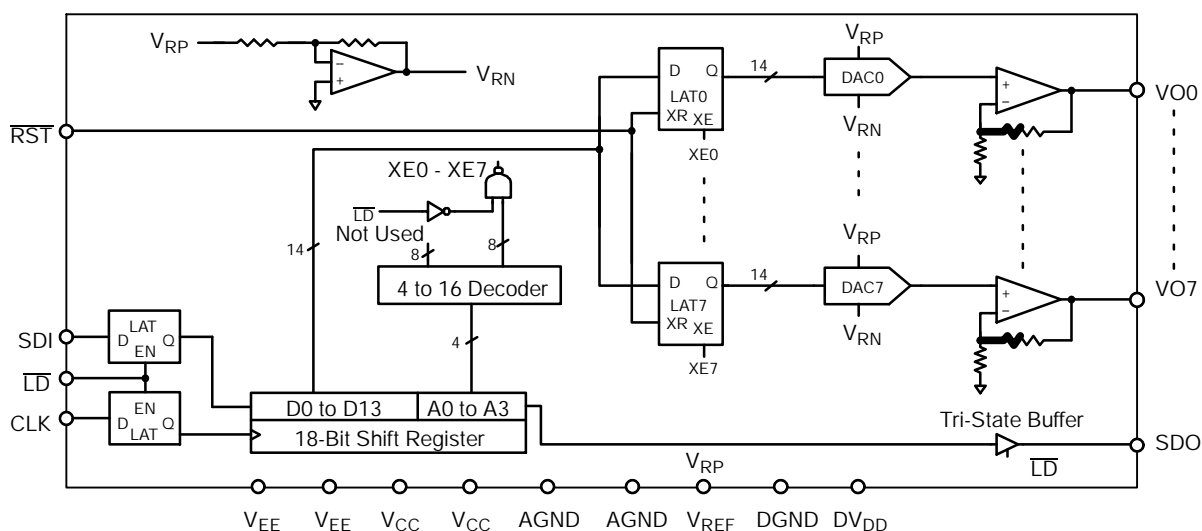
The MP7610 provides eight independent 14-bit resolution Digital-to-Analog Converters with voltage output amplifiers and a 3-wire standard serial digital address and data port.

The output amplifier is capable of sinking and sourcing 5mA, and the output voltage settles to 12-bits in less than 30 μs (typ.).

The MP7610 is equipped with a serial data (3-wire standard) μ -processor logic interface to reduce pin count, package size, and board space.

Built using an advanced linear BiCMOS, these devices offer rugged solutions that are latch-up free, and take advantage of EXAR's patented thin-film resistor process which exhibits excellent long term stability and reliability.

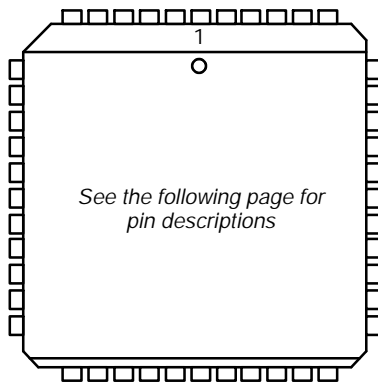
SIMPLIFIED BLOCK DIAGRAM



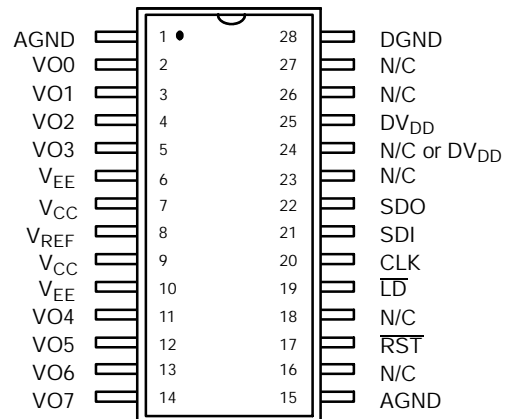
ORDERING INFORMATION

Package Type	Temperature Range	Part No.	Res. (Bits)	INL (LSB)	DNL (LSB)	FSE (LSB)
PLCC	0 to +70°C	MP7610CP	14	± 2	± 2	± 16
PLCC	-40 to +85°C	MP7610BP	14	± 4	± 3	± 24
PLCC	-40 to +85°C	MP7610AP	14	± 8	± 4	± 32
SOIC	0 to +70°C	MP7610CS	14	± 4	± 3	± 24
SOIC	-40 to +85°C	MP7610BS	14	± 2	± 2	± 16
SOIC	-40 to +85°C	MP7610AS	14	± 8	± 4	± 32

PIN CONFIGURATIONS



44 Pin PLCC



28 Pin SOIC (Jedec, 0.346")

PIN DESCRIPTION

SOIC Pin #	PLCC Pin #	Symbol	Description
1	2	AGND	Analog Ground
2	3	VO0	DAC 0 Output
3	4	VO1	DAC 1 Output
4	5	VO2	DAC 2 Output
5	6	VO3	DAC 3 Output
6	7	V _{EE}	Analog Negative Power Supply (-12 V)
7	9	V _{CC}	Analog Positive Power Supply (+12 V)
8	12	V _{REF}	Voltage Reference Input (+5 V)
9	13	V _{CC}	Analog Positive Power Supply (+12 V)
10	15	V _{EE}	Analog Negative Power Supply (-12 V)
11	18	VO4	DAC 4 Output
12	19	VO5	DAC 5 Output
13	20	VO6	DAC 6 Output
14	21	VO7	DAC 7 Output
15	24	AGND	Analog Ground
16		N/C	No Connection
17	26	$\overline{\text{RST}}$	Reset all DACs to 0 V Output
18		N/C	No Connection
19	29	$\overline{\text{LD}}$	Load Signal; Load Data to Selected DAC
20	31	CLK	Serial Data Clock
21	32	SDI	Serial Data Input
22	34	SDO	Shift Register Serial Output
23		N/C	No Connection
24	37	N/C	No Connection or DV _{DD}
25	40	DV _{DD}	Digital Positive Power Supply (+5 V)
26		N/C	No Connection
27	1, 8, 10, 11, 14, 16, 17, 22, 23, 25, 27, 28, 30, 33, 35, 36, 38, 39, 41, 42, 43	N/C	No Connection
28	44	DGND	Digital Ground

ELECTRICAL CHARACTERISTICS

$V_{CC} = +12\text{ V}$, $V_{EE} = -12\text{ V}$, $V_{REF} = 5\text{ V}$, $DV_{DD} = 5.0\text{ V}$, $T = 25^\circ\text{C}$, Output Load = $5\text{ k}\Omega$ (unless otherwise noted)

Parameter	Symbol	25°C			Tmin to Tmax		Units	Test Conditions/Comments
		Min	Typ	Max	Min	Max		
STATIC PERFORMANCE								
Resolution (All Grades)	N	14					Bits	
Integral Non-Linearity (Relative Accuracy)	INL						LSB	End Point Linearity Spec
A				8				
B				4				
C				2		2.5		
Differential Non-Linearity	DNL						LSB	
A				4		4		
B				3		3		
C				2		2.5		
Positive Full Scale Error	+FSE						LSB	
A			24	32		32		
B			16	24		24		
C			12	16		16		
Positive Full Scale Error Temperature Coefficient	$\Delta\text{+FSE}/\Delta\text{T}$		4				ppm/°C	0°C to 85°C
Negative Full Scale Error	-FSE						LSB	
A			24	32		32		
B			16	24		24		
C			12	16		16		
Negative Full Scale Error Temperature Coefficient	$\Delta\text{-FSE}/\Delta\text{T}$		4				ppm/°C	0°C to 85°C
Bipolar Zero Offset	ZOFS						LSB	
A				16		16		
B				12		12		
C				12		12		
Bipolar Zero Offset Temperature Coefficient	$\Delta\text{ZOFS}/\Delta\text{T}$		2				ppm/°C	0°C to 85°C
INL Matching	ΔINL						LSB	
A				8		8		
B				6		6		
C				6		6		
All Channels Maximum Error with DAC 0 adjusted to minimum error	ME						LSB	
A				16		16		
B				8		8		
C				6		6		
Bipolar Zero Matching	ΔZOFS						LSB	
A				16		16		
B				12		12		
C				12		12		
Full Scale Error Matching	ΔFSE						LSB	
A				16		16		
B				12		12		
C				12		12		

ELECTRICAL CHARACTERISTICS (CONT'D)

Parameter	Symbol	25°C			Tmin to Tmax		Units	Test Conditions/Comments
		Min	Typ	Max	Min	Max		
DYNAMIC PERFORMANCE								
Voltage Settling from \overline{LD} to VDAC Out ¹	t_{sd}		30	50		50	μs	ZS to FS (20 V Step) 5k, 50pF load
Channel-to-Channel Crosstalk ⁶	CT		0.04				LSB	DC
Digital Feedthrough ^{1, 6}	Q		-70				dB	CLK and Data to V_{OUTi}
Power Supply Rejection Ratio	PSRR			5			ppm/%	ΔV_{EE} & $\Delta V_{CC} = \pm 5\%$, ppm of FS
REFERENCE INPUTS								
Impedance of V_{REF}	REF	350	700	1.05k	350	1.05k	Ω	See Application Hints for Driving the reference input
V_{REF} Voltage ^{1, 2}	V_{REF}	3.5		6			V	
DIGITAL INPUTS³								
Logic High	V_{IH}	2.4					V	
Logic Low	V_{IL}			0.8			V	
Input Current	I_L			± 10			μA	
Input Capacitance ¹	C_L			8			pF	
ANALOG OUTPUTS								
Output Swing		$-V_{EE} + 1.4$	$V_{CC} - 1.4$				V	
Output Drive Current	R_O	-5		5			mA	
Output Impedance			1				Ω	
Output Short Circuit Current	I_{SC}		25				mA	+FS to AGND
			30				mA	+FS to V_{EE}
			40				mA	-FS to AGND
			55				mA	-FS to V_{CC}
DIGITAL OUTPUTS								
Output High Voltage	V_{OH}		4.5				V	
Output Low Voltage	V_{OL}		0.5				V	
POWER SUPPLIES								
V_{CC} Voltage ⁵	V_{CC}	$V_{REF} + 1.5$	12	12.75	$V_{REF} + 1.5$	12.75	V	
V_{EE} Voltage ⁵	V_{EE}	-12.75	-12	-5	-12.75	-5	V	
DV _{DD} Voltage	DV _{DD}	4.5	5	5.5	4.5	5.5	V	
Positive Supply Current	I_{CC}		8	10		10	mA	Bipolar zero
Negative Supply Current	I_{EE}		15	20		20	mA	Bipolar zero
Digital Supply Current	I_{DD}			2		2	mA	Bipolar zero
Power Dissipation	PD _{ISS}		320	420		450	mW	Bipolar zero
ANALOG GROUND CURRENT								
Per Channel ¹	I_{AGND}		± 60				μA	See Application Notes
DIGITAL TIMING SPECIFICATIONS^{1,4}								
Input Clock Pulse Width	t_{CH}, t_{CL}		60				ns	$V_{IL} = 0, V_{IH} = 5.0, C_L = 20$ pF
Data Setup Time	t_{DS}		15				ns	
Data Hold Time	t_{DH}		15				ns	
CLK to SDO Propagation Delay	t_{PD}			40			ns	
DAC Register Load Pulse Width	t_{LD}		45				ns	
Preset Pulse Width	t_{PR}		65				ns	
Clock Edge to Load Time	t_{CKLD1}		140				ns	Note: t_{LD} and t_{CKLD2} cannot both be min. since $t_{CKLD1} = t_{CKLD2} + t_{LD}$
\overline{LD} Falling Edge to SDO	t_{CKLD2}		0				ns	
Tri-state Enable	t_{HZ1}		50				ns	

ELECTRICAL CHARACTERISTICS (CONT'D)

Parameter	Symbol	25°C			Tmin to Tmax		Units	Test Conditions/Comments
		Min	Typ	Max	Min	Max		
DIGITAL TIMING SPECIFICATIONS^{1, 4} (CONT'D)								
$\overline{\text{LD}}$ Rising Edge to SDO Tri-state Disable	t_{HZ2}	50					ns	
$\overline{\text{LD}}$ Rising Edge to CLK Enable	t_{LDCK}	50					ns	
$\overline{\text{LD}}$ Set-up Time with Respect to CLK	t_{LDSU}	45					ns	

NOTES:

- ¹ Guaranteed; not tested.
- ² Specified values guarantee functionality.
- ³ Digital inputs should not go below digital GND or exceed DV_{DD} supply voltage.
- ⁴ See Figures 2 and 3. All digital input signals are specified with $t_{\text{R}} = t_{\text{F}} = 10 \text{ ns}$ 10% to 90% and timed from a 50% voltage level.
- ⁵ For power supply values $< 2 \times V_{\text{REF}}$, the output swing is limited as specified in Analog Outputs.
- ⁶ Digital feedthrough and channel-to-channel crosstalk are heavily dependent on the board layout and environment.

Specifications are subject to change without notice

ABSOLUTE MAXIMUM RATINGS (TA = +25°C unless otherwise noted)^{1, 2}

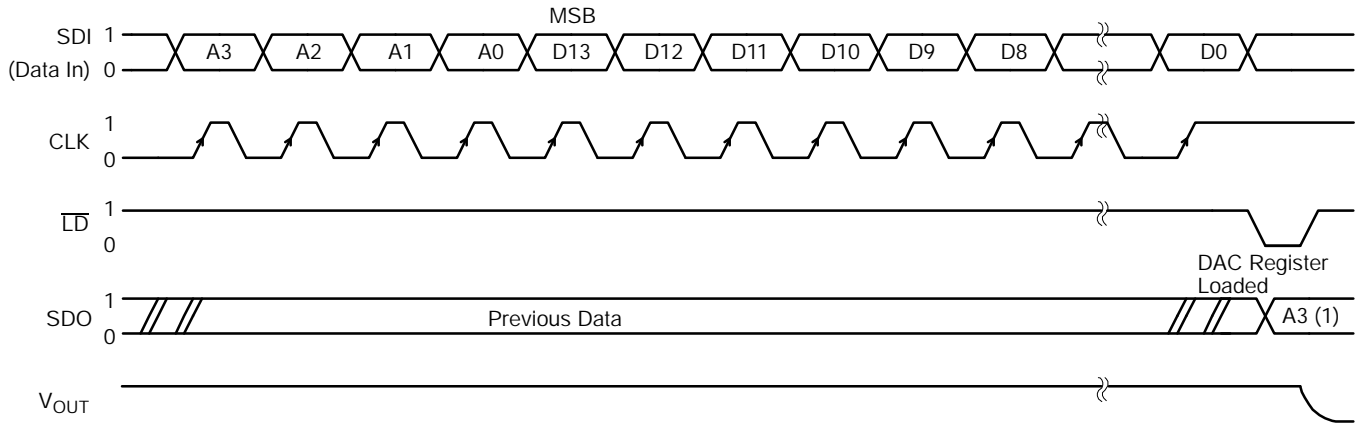
V_{CC} to AGND	+16.5 V	Analog Inputs & Outputs	Indefinite Shorts to V_{CC} , V_{EE} , DV_{DD} , AGND, DGND (provided that power dissipation of the package spec is not exceeded)
V_{EE} to AGND	-16.5 V	Operating Temperature Range	
DV_{DD} to DGND	+6.5 V	Extended Industrial	-40°C to +85°C
V_{REF} to DGND	+7.0 V	Maximum Junction Temperature	-65°C to 150°C
AGND to DGND	$\pm 1 \text{ V}$	Storage Temperature	150°C
(Functionality guaranteed for $\downarrow 0.5 \text{ V}$ only)		Lead Temperature (Soldering, 10 sec)	+300°C
Digital Input & Output Voltage		Package Power Dissipation Rating @ 75°C	
to DGND	-0.5 to DV_{DD} +0.5V	SOIC, PLCC	1150mW
		Derates above 75°C	15mW/°C

NOTES:

- ¹ Stresses above those listed under "Absolute Maximum Ratings" may cause permanent damage to the device. This is a stress rating only and functional operation at or above this specification is not implied. Exposure to maximum rating conditions for extended periods may affect device reliability.
- ² Any input pin which can see a value outside the absolute maximum ratings should be protected by Schottky diode clamps (HP5082-2835) from input pin to the supplies. All inputs have protection diodes which will protect the device from short transients outside the supplies of less than 100mA for less than 100 μs .

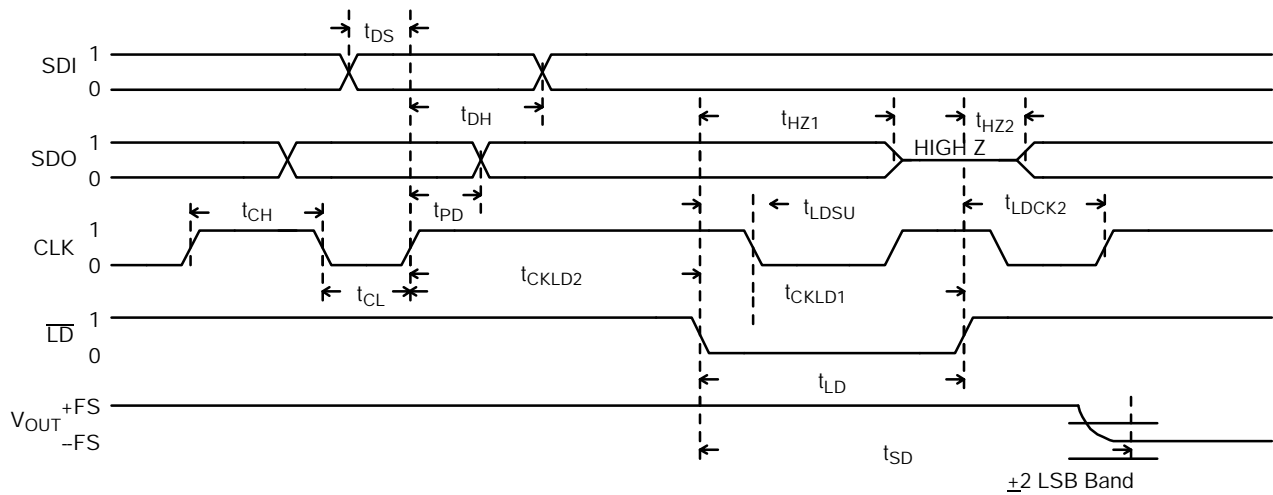
APPLICATION NOTES

NOTE: When using these DACs to drive remote devices, the accuracy of the output can be improved by utilizing a remote analog ground connection. The difference between the DGND and AGND should be limited to $\downarrow 300 \text{ mV}$ to assure normal operation. If there is any chance that the AGND to DGND can be greater than $\downarrow 1 \text{ V}$, we recommend two back-to-back diodes be used between DGND and AGND to clamp the voltage and prevent damage to the DAC. Using a buffer between the remote ground location and AGND may help reduce noise induced from long lead or trace lengths.



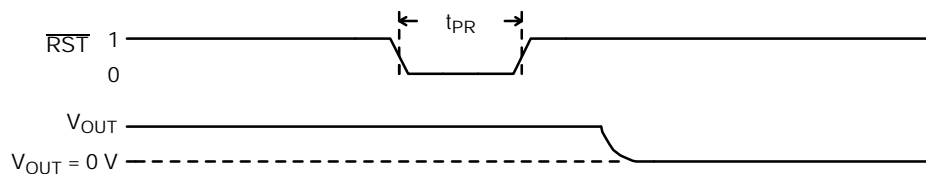
Note: (1) Because A3 is available immediately after 18th clock edge of DATA Shift-in, only 17 clock cycles are needed to complete the readback.

Figure 1. Serial Data Timing and Loading



Note: (1) CLK should be high during the falling edge of \overline{LD} to insure proper function of the shift register.

Figure 2. Serial Data Input Timing (RST = "1")



Note: Reset settling time is $\leq t_{SD}$

Figure 3. Reset Operation

The MP7610 is equipped with a serial data (3-wire standard) μ -processor logic interface to reduce pin count, package size, and board wire (space). If the \overline{LD} signal is high, the CLK signal loads the digital input bits (SDI) into the shift register (4 bits address A3 to A0 plus 14 bits data D13 to D0 for the MP7610). The \overline{LD} signal going low loads the data into the selected DAC. The

\overline{LD} signal going low also disables the serial data (SDI), output (SDO tri-stated) and the CLK input. This design tremendously reduces digital noise and glitch transients into the DACs due to free running CLK and SDI. Note also that the preset signal (\overline{RST}) resets all analog outputs to 0 volt regardless of digital inputs.

Function	A3	A2	A1	A0	\overline{LD}	CLK	RST	SDI	SDO
Shift Data In and Out	X	X	X	X	1	0→1 Repeat	1	Data Input Valid	Data Output Valid
Stop Shifting Data In and Out	X	X	X	X	0	X	1	X	Hi-Z
Load DACs					No Operation				
DAC 0	0	0	0	0	1→0	X	1	X	Hi-Z
DAC 1	0	0	0	1	1→0	X	1	X	Hi-Z
DAC 2	0	0	1	0	1→0	X	1	X	Hi-Z
DAC 3	0	0	1	1	1→0	X	1	X	Hi-Z
DAC 4	0	1	0	0	1→0	X	1	X	Hi-Z
DAC 5	0	1	0	1	1→0	X	1	X	Hi-Z
DAC 6	0	1	1	0	1→0	X	1	X	Hi-Z
DAC 7	0	1	1	1	1→0	X	1	X	Hi-Z
⋮	⋮	⋮	⋮	⋮	No Operation	X	⋮	⋮	⋮
⋮	⋮	⋮	⋮	⋮	⋮	X	⋮	⋮	⋮
⋮	⋮	⋮	⋮	⋮	No Operation	X	1	X	Hi-Z
⋮	1	1	1	0	No Operation	X	1	X	Hi-Z
⋮	1	1	1	1	No Operation	X	1	X	Hi-Z
Reset all DACs to 0 V	X	X	X	X	X	X	0	X	X

Table 1. Digital Function Truth Table Serial In/Serial Out

Note: For timing information See Electrical Characteristics.

Hex Code	Binary Code	Output Voltage = $2 \cdot V_r \left(-1 + \frac{2 \cdot D}{16384}\right)$ ($V_r = +5\text{ V}$)
0 0 0 0	00000000000000	$10 \cdot (-1 + 0) = -10$
⋮	⋮	⋮
1 F F F	01111111111111	$10 \cdot \left(-1 + \frac{16382}{16384}\right) = -1.22\text{ mV}$
2 0 0 0	10000000000000	$10 \cdot \left(-1 + \frac{16384}{16384}\right) = 0$
2 0 0 1	10000000000001	$10 \cdot \left(-1 + \frac{16386}{16384}\right) = 1.22\text{ mV}$
⋮	⋮	⋮
3 F F F	11111111111111	$10 \cdot \left(-1 + \frac{32766}{16384}\right) = 9.99878$

Table 2. MP7610 Ideal DAC Output vs. Input Code

Note: See Electrical Characteristics for real system accuracy

SERIAL INTERFACE DIAGRAMS

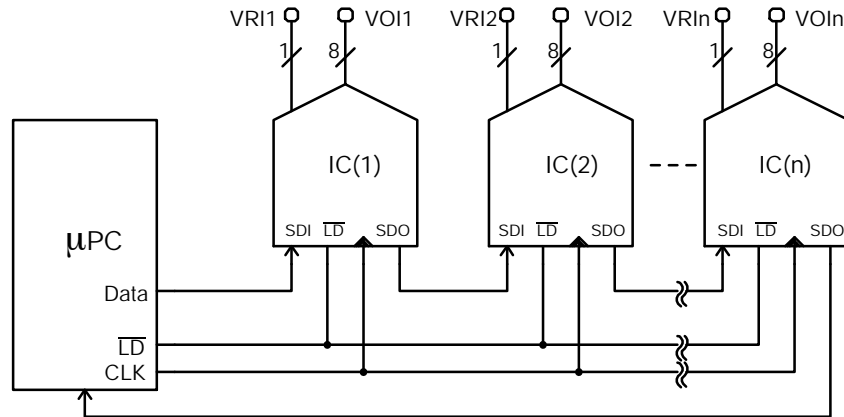


Figure 4. Simplified Diagram

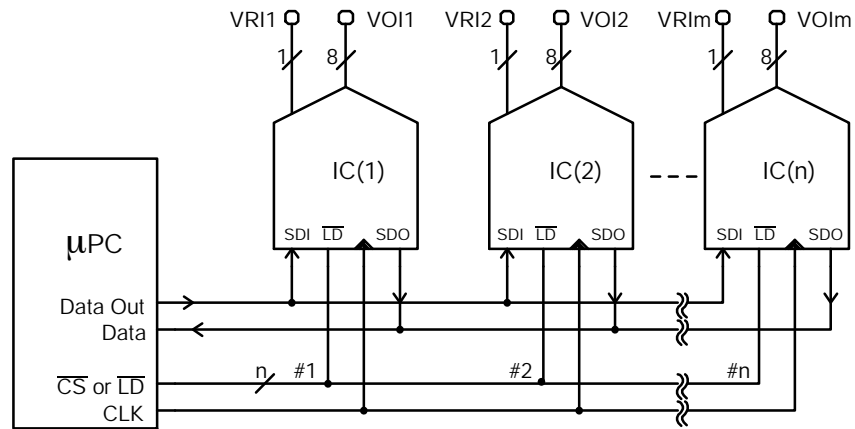


Figure 5. Simplified Diagram

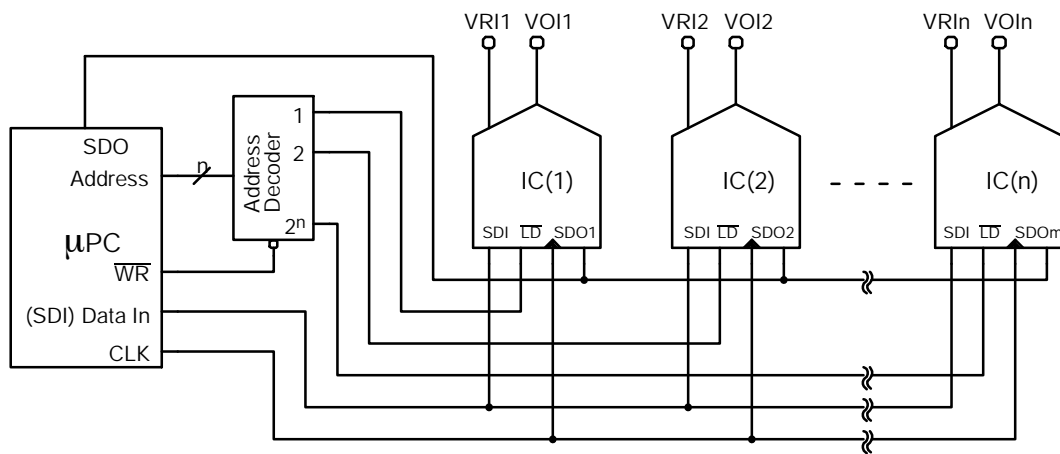
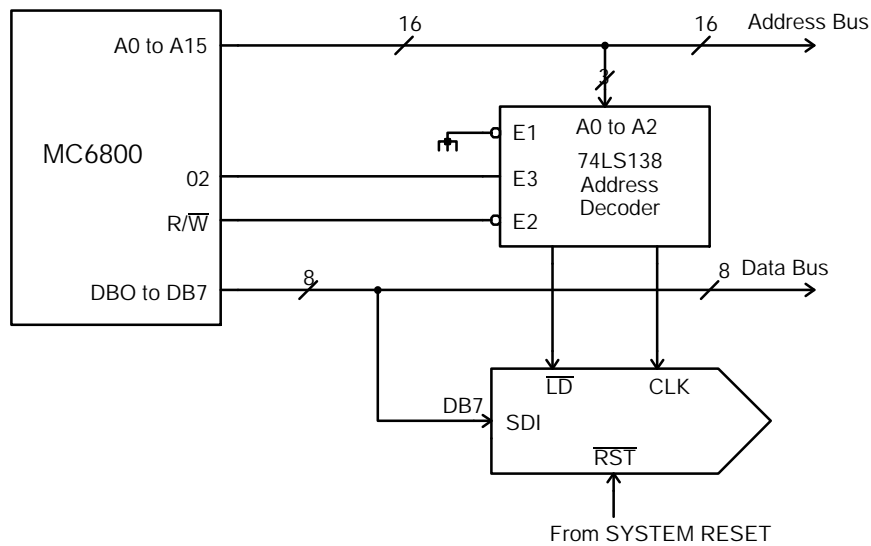


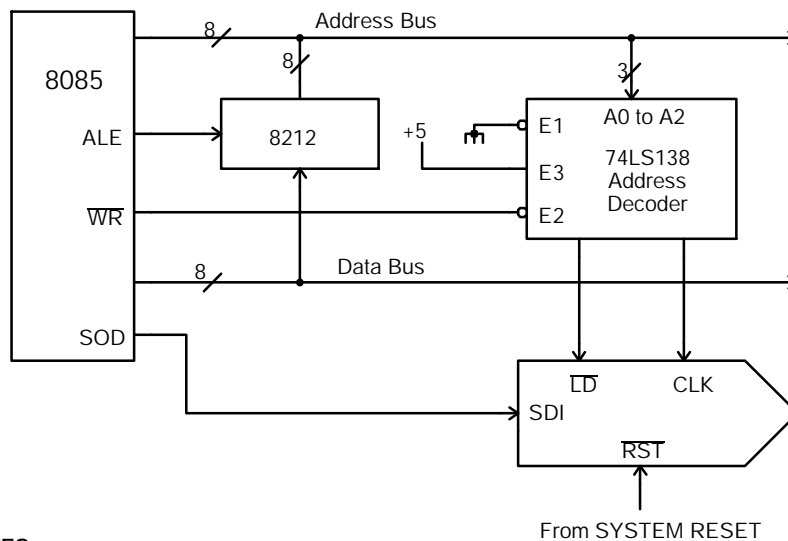
Figure 6. Simplified Diagram



NOTES

1. Execute consecutive memory write instructions while manipulating the data between WRITES so that each WRITE presents the next bit.
2. The serial data loading is triggered by the CLK pulse which is asserted by a decoded memory WRITE to memory location 2000, R/W, and 02. A WRITE to address 4000 transfers data from input shift register to DAC register.

Figure 7. MC6800 Interface



NOTES:

1. Clock generated by \overline{WR} and decoding address 8000.
2. Data is clocked in the DAC shift register by executing memory write instructions. The clock input is generated by decoding address 8000 and \overline{WR} . Data is then loaded into the DAC register with a memory write instruction to address 4000.
3. Serial data must be present in the right justified format in registers H & L of the microprocessor.

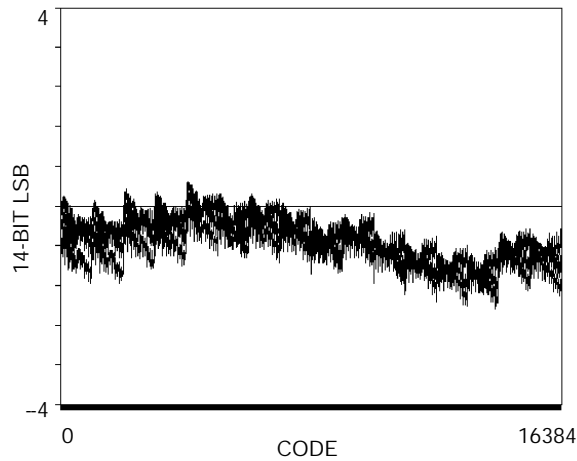
Figure 8. 8085 Interface

PERFORMANCE CHARACTERISTICS

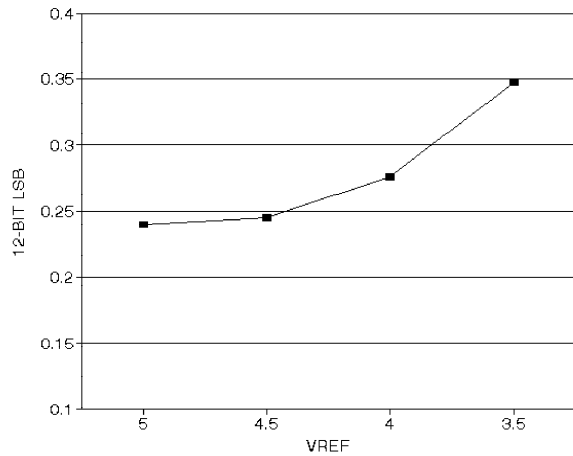


Graph 1. Typical Output Settling Characteristic
 $V_{REF} = 5\text{ V}$, $R_L = 5\text{ K}$, $C_L = 500\text{ pF}$

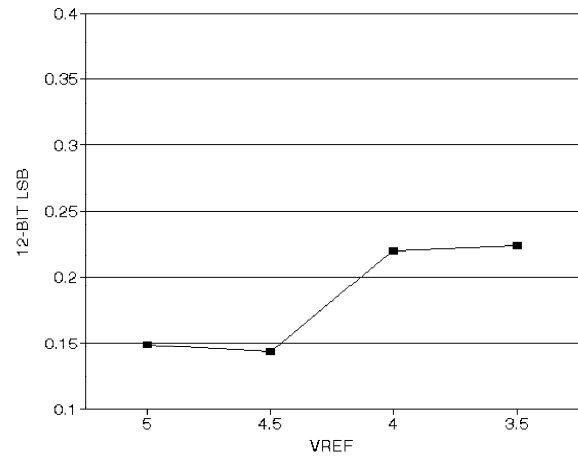
Graph 1 shows the typical output settling characteristic of the MP7610 Family for a RESET ! ZS! FS! ZS series of code transitions. The top graph shows the output voltage transients, while the bottom graph shows the difference between the output and the ideal output.



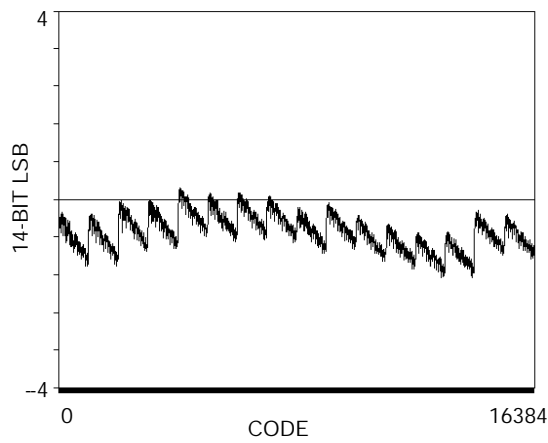
Graph 2. Linearity with
 $V_{REF} = 5\text{ V}$, All DACs, All Codes



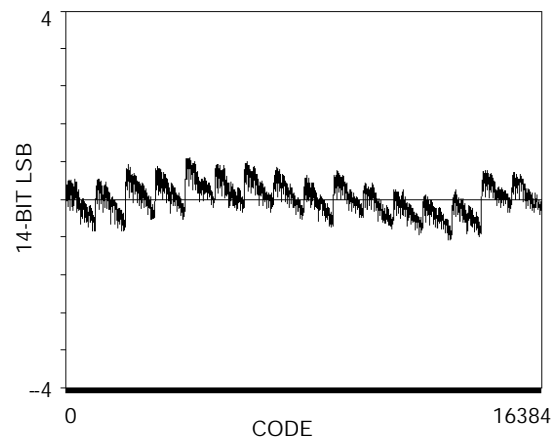
Graph 3. DAC 0 INL vs. VREF



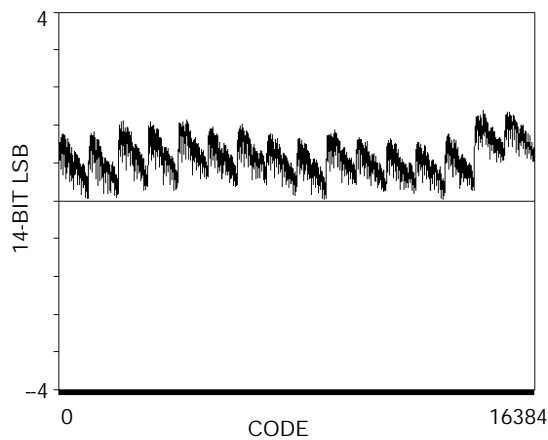
Graph 4. DAC 0 DNL vs. VREF



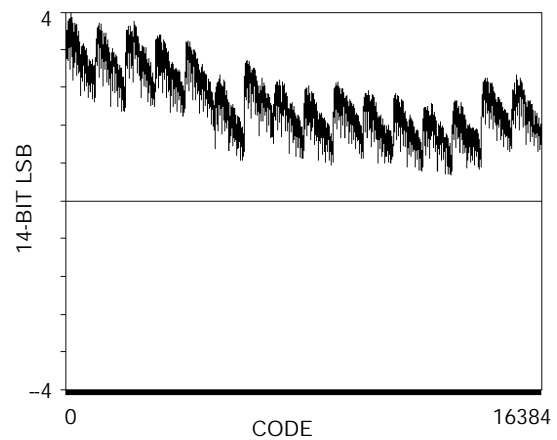
**Graph 5. DAC 0 Linearity with
 $V_{REF} = 5\text{ V}$, $V_{OUT} = 10$**



**Graph 6. DAC 0 Linearity with
 $V_{REF} = 4.5\text{ V}$, $V_{OUT} = 9$**



**Graph 7. DAC 0 Linearity with
 $V_{REF} = 4\text{ V}$, $V_{OUT} = 8$**



**Graph 8. DAC 0 Linearity with
 $V_{REF} = 3.5\text{ V}$, $V_{OUT} = 7$**

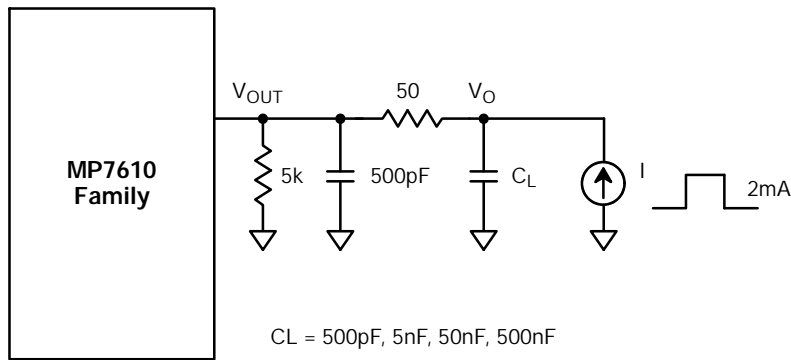
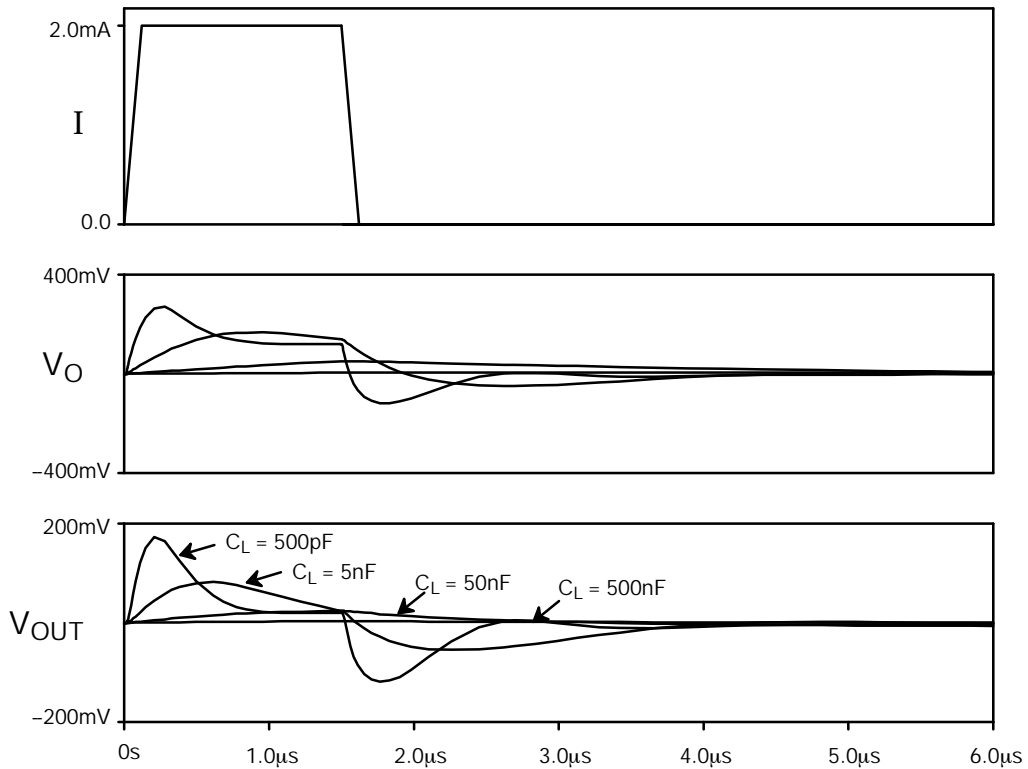


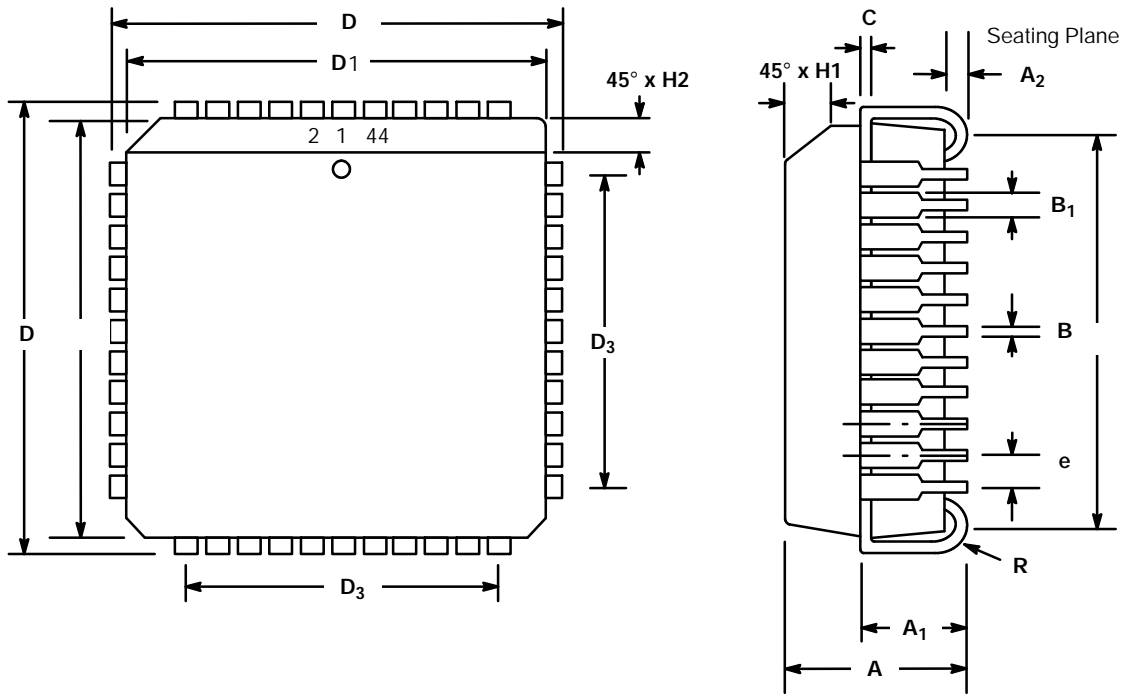
Figure 9. Circuit for Determining Typical Analog Output Pulse Response



Graph 9. Typical Response of the MP7610 Family Analog Output to a Current Pulse with $C_L=500\text{pF}, 5\text{nF}, 50\text{nF}, 500\text{nF}$
(See Figure 9. above)

44 LEAD PLASTIC LEADED CHIP CARRIER (PLCC)

Rev. 1.00

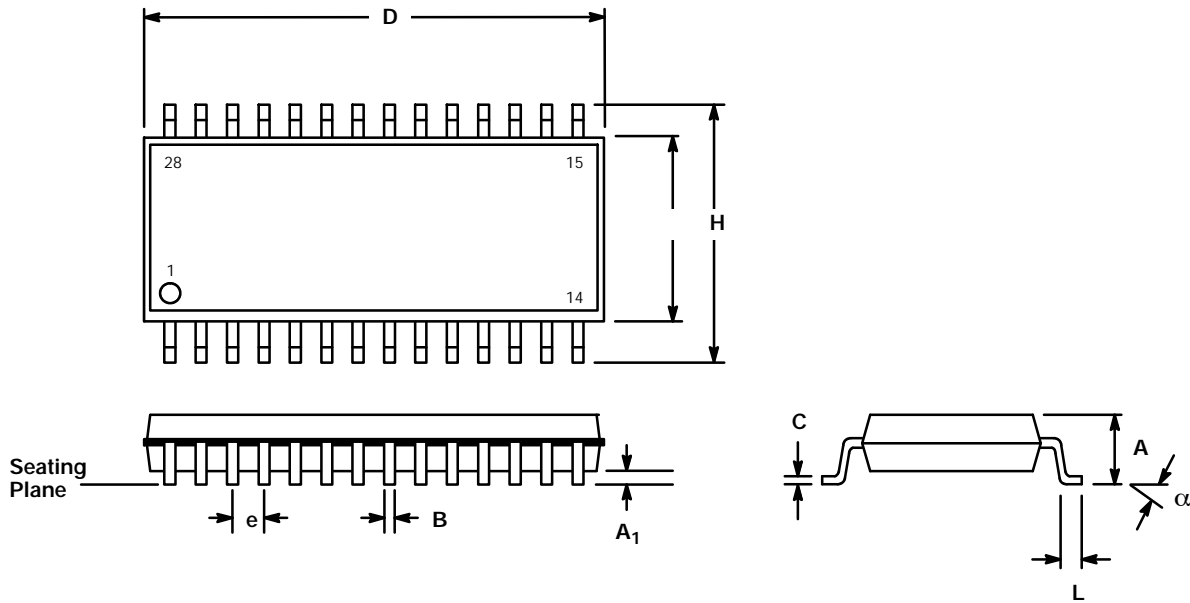


SYMBOL	INCHES		MILLIMETERS	
	MIN	MAX	MIN	MAX
A	0.165	0.180	4.19	4.57
A ₁	0.090	0.120	2.29	3.05
A ₂	0.020	---	0.51	---
B	0.013	0.021	0.33	0.53
B ₁	0.026	0.032	0.66	0.81
C	0.008	0.013	0.19	0.32
D	0.685	0.695	17.40	17.65
D ₁	0.650	0.656	16.51	16.66
D ₂	0.590	0.630	14.99	16.00
D ₃	0.500 typ.		12.70 typ.	
e	0.050 BSC		1.27 BSC	
H ₁	0.042	0.056	1.07	1.42
H ₂	0.042	0.048	1.07	1.22
R	0.025	0.045	0.64	1.14

Note: The control dimension is the inch column

**28 LEAD SMALL OUTLINE
(350 MIL JEDEC SOIC)**

Rev. 1.00



SYMBOL	INCHES		MILLIMETERS	
	MIN	MAX	MIN	MAX
A	0.093	0.104	2.35	2.65
A ₁	0.004	0.012	0.10	0.30
B	0.013	0.020	0.33	0.51
C	0.009	0.013	0.23	0.32
D	0.706	0.718	17.93	18.24
E	0.340	0.350	8.64	8.89
e	0.050 BSC		1.27 BSC	
H	0.460	0.485	11.68	12.32
L	0.016	0.050	0.40	1.27
α	0°	8°	0°	8°

Note: The control dimension is the millimeter column

NOTICE

EXAR Corporation reserves the right to make changes to the products contained in this publication in order to improve design, performance or reliability. EXAR Corporation assumes no responsibility for the use of any circuits described herein, conveys no license under any patent or other right, and makes no representation that the circuits are free of patent infringement. Charts and schedules contained here in are only for illustration purposes and may vary depending upon a user's specific application. While the information in this publication has been carefully checked; no responsibility, however, is assumed for inaccuracies.

EXAR Corporation does not recommend the use of any of its products in life support applications where the failure or malfunction of the product can reasonably be expected to cause failure of the life support system or to significantly affect its safety or effectiveness. Products are not authorized for use in such applications unless EXAR Corporation receives, in writing, assurances to its satisfaction that: (a) the risk of injury or damage has been minimized; (b) the user assumes all such risks; (c) potential liability of EXAR Corporation is adequately protected under the circumstances.

Copyright 1998 EXAR Corporation

Datasheet June 1998

Reproduction, in part or whole, without the prior written consent of EXAR Corporation is prohibited.