



10mm Ultra Thin Micro Rotary Potentiometers (10mm 薄型旋轉式電位器)

R1001N11A1



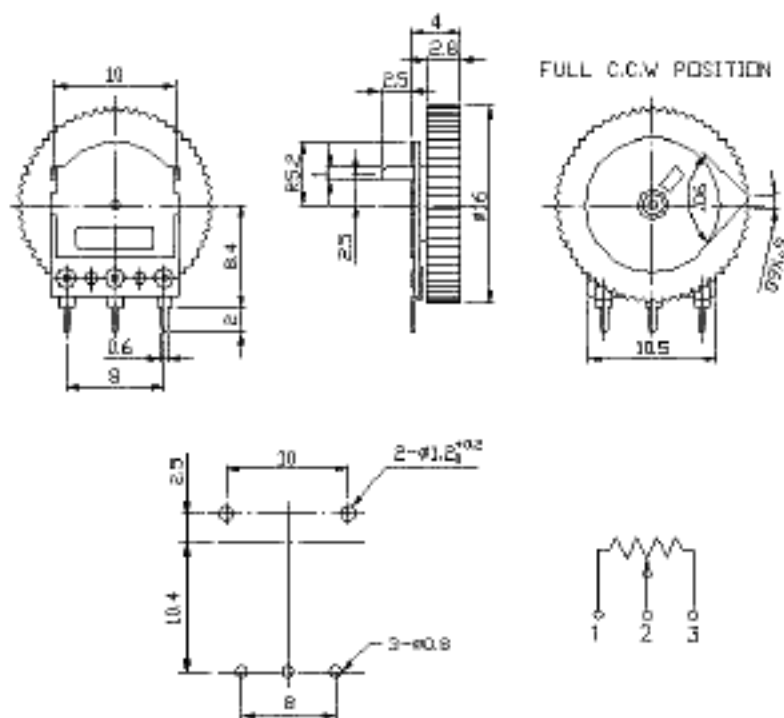
Part Number

R1001N11A1-B 50K / $\phi 16$ x 2.8

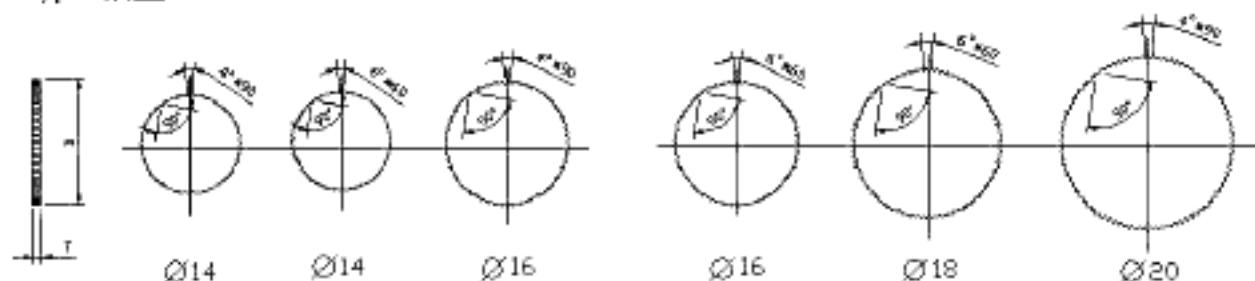
Taper Resistance value Knob Thickness
 線性 阻值 旋鈕厚度 (T)

Knob Diameter
 旋鈕外徑 (D)

Dimensions 規格尺寸



Shaft Type 軸型



(Unit:mm)

D	$\phi 14$	$\phi 14$	$\phi 14$	$\phi 16$	$\phi 16$	$\phi 16$	$\phi 17$	$\phi 18$	$\phi 18$	$\phi 18$	$\phi 20$
T	1.0	2.0	2.8	1.0	2.0	2.8	2.8	1.0	2.0	2.8	2.8

**10mm Ultra Thin Micro Rotary Potentiometers (10mm 薄型旋轉式電位器)****Electrical Characteristics 電氣特性**

Total Resistance 總阻值	500 Ω ~ 1M Ω				
Total Resistance Tolerance 總阻值誤差	$\pm 20\%$				
Resistance Taper 線性	A. B. C. D. W. Taper				
Resistance Taper Characteristics 阻值變化特性範圍	A50%	B50%	C50%	D50%	W50%
	15-25%	40-60%	75-85%	2-15%	45-55%
Rated Power 定格電力	0.05 W				
Residual Resistance 殘留阻值	$R \geq 250K\Omega$ 0.1%				
	$250K\Omega > R > 10K\Omega$		20 Ω Max.		
	$10K\Omega \geq R$		20 Ω Max.		
Noise 雜音	100 mV MAX.				
Gang Error 連動誤差	-40dB ~ 0db ≤ 4 db				
Max. Operation Voltage 最高使用電壓	AC 50V; DC12V				
Insulation Resistance 絕緣阻抗	DC 100V 100M Ω				
Withstand Voltage 耐電壓	1 minute at AC 100V				
Rotational Life 旋轉壽命	More than 10,000 Cycles				

Mechanical Characteristics 機械特性

Total Rotational Angle 全迴轉角度	270° $\pm 10^\circ$
Stopper Strength 全迴轉止強度	0.8kgf.cm max./3 minute.
Rotational Torque 迴轉扭力	20 ~ 100 gf.cm
Shaft Pull-Push Strength 軸心壓入拉起強度	Pull 0.5Kg.f max.
	Push 0.2Kg.f max.
Soldering Heat 焊錫耐熱性	300°C, 3s. (Only for Hand-Soldering)