

Geode™ GXm Processor Integrated x86 Solution with MMX Support

General Description

The National Semiconductor® Geode™ GXm processor is an advanced 32-bit x86 compatible processor offering high performance, fully accelerated 2D graphics, a 64-bit synchronous DRAM controller and a PCI bus controller, all on a single chip that is compatible with Intel's MMX technology.

The GXm processor core is a proven design that offers competitive CPU performance. It has integer and floating point execution units that are based on sixth-generation technology. The integer core contains a single, six-stage execution pipeline and offers advanced features such as operand forwarding, branch target buffers, and extensive write buffering. A 16 KB write-back L1 cache is accessed in a unique fashion that eliminates pipeline stalls to fetch operands that hit in the cache.

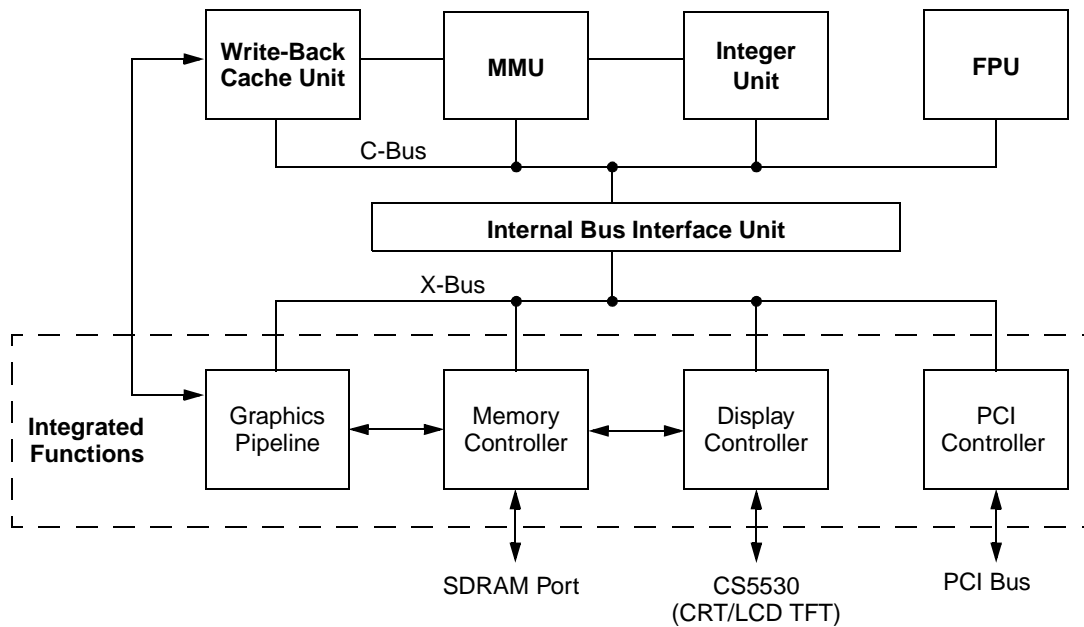
In addition to the advanced CPU features, the GXm processor integrates a host of functions which are typically implemented with external components. A full-function

graphics accelerator provides pixel processing and rendering functions.

A separate on-chip video buffer enables >30 fps MPEG1 video playback when used together with the CS5530 I/O companion chip. Graphics and system memory accesses are supported by a tightly-coupled synchronous DRAM (SDRAM) memory controller. This tightly coupled memory subsystem eliminates the need for an external L2 cache.

The GXm processor includes Virtual System Architecture® (VSA™ technology) enabling XpressGRAPHICS and XpressAUDIO subsystems as well as generic emulation capabilities. Software handler routines for the XpressGRAPHICS and XpressAUDIO subsystems can be included in the BIOS and provide compatible VGA and 16-bit industry standard audio emulation. XpressAUDIO technology eliminates much of the hardware traditionally associated with audio functions.

Geode™ GXm Processor Internal Block Diagram



National Semiconductor and Virtual System Architecture are registered trademarks of National Semiconductor Corporation. Geode and VSA are trademarks of National Semiconductor Corporation. For a complete listing of National Semiconductor trademarks, please visit www.national.com/trademarks.

Features

General Features

- Packaged in:
 - 352-Terminal Ball Grid Array (BGA) or
 - 320-Pin Staggered Pin Grid Array (SPGA)
- 0.35-micron four layer metal CMOS process
- Split rail design (3.3V I/O and 2.9V core)

32-Bit x86 Processor

- Supports the MMX instruction set extension for the acceleration of multimedia applications
- Speeds offered up to 266 MHz
- 16 KB unified L1 cache
- Integrated Floating Point Unit (FPU)
- Re-entrant System Management Mode (SMM) enhanced for VSA

PCI Controller

- Fixed, rotating, hybrid, or ping-pong arbitration
- Supports up to three PCI bus masters
- Synchronous CPU and PCI bus clock frequency
- Supports concurrency between PCI master and L1 cache

Power Management

- Designed to support CS5530 power management architecture
- CPU only Suspend or full 3V Suspend supported:
 - Clocks to CPU core stopped for CPU Suspend
 - All on-chip clocks stopped for 3V Suspend
 - Suspend refresh supported for 3V Suspend

Virtual Systems Architecture Technology

- Architecture allows OS independent (software) virtualization of hardware functions
- Provides compatible high performance legacy VGA core functionality
 - Note:** GUI (Graphical User Interface) graphics acceleration is pure hardware.
- Provides 16-bit XpressAUDIO subsystem

2D Graphics Accelerator

- Graphics pipeline performance significantly increased over previous generations by pipelining burst reads/writes
- Accelerates BitBLTs, line draw, text
- Supports all 256 raster operations
- Supports transparent BLTs
- Runs at core clock frequency
- Full VGA and VESA mode support
- Special "Driver level" instructions utilize internal scratchpad for enhanced performance

Display Controller

- Video Generator (VG) improves memory efficiency for display refresh with SDRAM
- Supports a separate MPEG1 video buffer and data path to enable video acceleration in the CS5530
- Internal palette RAM for use with the CS5530
- Direct interface to CS5530 for CRT and TFT flat panel support which eliminates need for external RAMDAC
- Hardware frame buffer compressor/decompressor
- Hardware cursor
- Supports up to 1280x1024x8 bpp and 1024x768x16 bpp

XpressRAM Subsystem

- Memory control/interface directly from CPU
- 64-Bit wide memory bus
- Support for:
 - Two 168-pin unbuffered DIMMs
 - Up to 16 open banks simultaneously
 - Single or 16-byte reads (burst length of two)

Table of Contents

1.0	Architecture Overview	8
1.1	INTEGER UNIT	8
1.2	FLOATING POINT UNIT	9
1.3	WRITE-BACK CACHE UNIT	9
1.4	MEMORY MANAGEMENT UNIT	9
1.4.1	Internal Bus Interface Unit	9
1.5	INTEGRATED FUNCTIONS	9
1.5.1	Graphics Accelerator	9
1.5.2	Display Controller	10
1.5.3	XpressRAM Memory Subsystem	10
1.5.4	PCI Controller	10
1.6	GEODE GXM/CS5530 SYSTEM DESIGNS	11
2.0	Signal Definitions	13
2.1	PIN ASSIGNMENTS	13
2.2	SIGNAL DESCRIPTIONS	24
2.2.1	System Interface Signals	24
2.2.2	PCI Interface Signals	26
2.2.3	Memory Controller Interface Signals	29
2.2.4	Video Interface Signals	30
2.2.5	Power, Ground, and No Connect Signals	32
2.2.6	Internal Test and Measurement Signals	32
2.3	SUBSYSTEM SIGNAL CONNECTIONS	34
2.4	POWER PLANES	36
3.0	Processor Programming	38
3.1	CORE PROCESSOR INITIALIZATION	38
3.2	INSTRUCTION SET OVERVIEW	39
3.2.1	Lock Prefix	39
3.3	REGISTER SETS	40
3.3.1	Application Register Set	40
3.3.2	System Register Set	44
3.3.3	Model Specific Register Set	59
3.3.4	Time Stamp Counter	59
3.4	ADDRESS SPACES	60
3.4.1	I/O Address Space	60
3.4.2	Memory Address Space	60
3.5	OFFSET, SEGMENT, AND PAGING MECHANISMS	61
3.6	OFFSET MECHANISM	61
3.7	DESCRIPTORS AND SEGMENT MECHANISMS	62
3.7.1	Real and Virtual 8086 Mode Segment Mechanisms	62
3.7.2	Segment Mechanism in Protective Mode	63
3.7.3	GDTR and LDTR Registers	66
3.7.4	Descriptor Bit Structure	67
3.7.5	Gate Descriptors	69
3.8	MULTITASKING AND TASK STATE SEGMENTS	70
3.9	PAGING MECHANISM	72

Table of Contents (Continued)

3.10	INTERRUPTS AND EXCEPTIONS	74
3.10.1	Interrupts	74
3.10.2	Exceptions	74
3.10.3	Interrupt Vectors	75
3.10.4	Interrupt and Exception Priorities	76
3.10.5	Exceptions in Real Mode	77
3.10.6	Error Codes	77
3.11	SYSTEM MANAGEMENT MODE	78
3.11.1	SMM Enhancements	79
3.11.2	SMM Operation	79
3.11.3	The SMI# Pin	80
3.11.4	SMM Configuration Registers	80
3.11.5	SMM Memory Space Header	80
3.11.6	SMM Instructions	82
3.11.7	SMM Memory Space	83
3.11.8	SMI Generation	83
3.11.9	SMI Service Routine Execution	83
3.12	SHUTDOWN AND HALT	86
3.13	PROTECTION	86
3.13.1	Privilege Levels	86
3.13.2	I/O Privilege Levels	86
3.13.3	Privilege Level Transfers	87
3.13.4	Initialization and Transition to Protected Mode	87
3.14	VIRTUAL 8086 MODE	88
3.14.1	Memory Addressing	88
3.14.2	Protection	88
3.14.3	Interrupt Handling	88
3.14.4	Entering and Leaving Virtual 8086 Mode	88
3.15	FLOATING POINT UNIT OPERATIONS	89
3.15.1	FPU (Floating Point Unit) Register Set	89
3.15.2	FPU Tag Word Register	89
3.15.3	FPU Status Register	89
3.15.4	FPU Mode Control Register	89
4.0	Integrated Functions	91
4.1	INTEGRATED FUNCTIONS PROGRAMMING INTERFACE	92
4.1.1	Graphics Control Register	92
4.1.2	Control Registers	94
4.1.3	Graphics Memory	94
4.1.4	L1 Cache Controller	95
4.1.5	Display Driver Instructions	98
4.1.6	CPU_READ/CPU_WRITE Instructions	99
4.2	INTERNAL BUS INTERFACE UNIT	100
4.2.1	FPU Error Support	100
4.2.2	A20M Support	100
4.2.3	SMI Generation	100
4.2.4	640 KB to 1 MB Region	100
4.2.5	Internal Bus Interface Unit Registers	101

Table of Contents (Continued)

4.3	MEMORY CONTROLLER	103
4.3.1	Memory Array Configuration	104
4.3.2	Memory Organizations	105
4.3.3	SDRAM Commands	106
4.3.4	Memory Controller Register Description	108
4.3.5	Address Translation	112
4.3.6	Memory Cycles	115
4.3.7	SDRAM Interface Clocking	118
4.4	GRAPHICS PIPELINE	120
4.4.1	BitBLT/Vector Engine	120
4.4.2	Master/Slave Registers	121
4.4.3	Pattern Generation	121
4.4.4	Source Expansion	123
4.4.5	Raster Operations	123
4.4.6	Graphics Pipeline Register Descriptions	124
4.5	DISPLAY CONTROLLER	129
4.5.1	Display FIFO	130
4.5.2	Compression Technology	130
4.5.3	Motion Video Acceleration Support	130
4.5.4	Hardware Cursor	131
4.5.5	Display Timing Generator	131
4.5.6	Dither and Frame-Rate Modulation	131
4.5.7	Display Modes	131
4.5.8	Graphics Memory Map	135
4.5.9	Display Controller Registers	136
4.5.10	Memory Organization Registers	144
4.5.11	Timing Registers	146
4.5.12	Cursor Position Registers	149
4.5.13	Color Registers	150
4.5.14	Palette Access Registers	151
4.5.15	CS5530 Display Controller Interface	153
4.6	PCI CONTROLLER	155
4.6.1	X-Bus PCI Slave	155
4.6.2	X-Bus PCI Master	155
4.6.3	PCI Arbiter	155
4.6.4	Generating Configuration Cycles	155
4.6.5	Generating Special Cycles	155
4.6.6	PCI Configuration Space Control Registers	156
4.6.7	PCI Configuration Space Registers	157
4.6.8	PCI Cycles	162
5.0	Virtual Subsystem Architecture	165
5.1	VIRTUAL VGA	165
5.1.1	Traditional VGA Hardware	165
5.2	GXM VIRTUAL VGA	167
5.2.1	Datapath Elements	167
5.2.2	Video Refresh	168
5.2.3	GXM VGA Hardware	168
5.2.4	VGA Video BIOS	171
5.2.5	Virtual VGA Register Descriptions	172

Table of Contents (Continued)

6.0	Power Management	174
6.1	APM SUPPORT	174
6.2	CPU SUSPEND COMMAND REGISTERS	174
6.3	SUSPEND MODULATION	174
6.4	3-VOLT SUSPEND MODE	174
6.5	SUSPEND MODE AND BUS CYCLES	175
6.5.1	Initiating Suspend with SUSP#	175
6.5.2	Initiating Suspend with HALT	176
6.5.3	Responding to a PCI Access During Suspend Mode	177
6.5.4	Stopping the Input Clock	178
6.6	GXM PROCESSOR SERIAL BUS	179
6.6.1	Serial Packet Transmission	179
6.7	POWER MANAGEMENT REGISTERS	179
7.0	Electrical Specifications.	182
7.1	PART NUMBERS	182
7.2	ELECTRICAL CONNECTIONS	182
7.2.1	Power/Ground Connections and Decoupling	182
7.2.2	Power Sequencing the Core and I/O Voltages	182
7.2.3	NC-Designated Pins	182
7.2.4	Pull-Up and Pull-Down Resistors	182
7.2.5	Unused Input Pins	182
7.3	ABSOLUTE MAXIMUM RATINGS	183
7.4	OPERATING CONDITIONS	184
7.5	DC CHARACTERISTICS	185
7.6	AC CHARACTERISTICS	186
8.0	Package Specifications	195
8.1	THERMAL CHARACTERISTICS	195
8.1.1	Heatsink Considerations	196
8.2	MECHANICAL PACKAGE OUTLINES	198
9.0	Instruction Set.	201
9.1	GENERAL INSTRUCTION SET FORMAT	202
9.1.1	Prefix (Optional)	203
9.1.2	Opcode	203
9.1.3	mod and r/m Byte (Memory Addressing)	205
9.1.4	reg Field	206
9.1.5	s-i-b Byte (Scale, Indexing, Base)	207
9.2	CPUID INSTRUCTION	208
9.2.1	Standard CPUID Levels	208
9.2.2	Extended CPUID Levels	210
9.3	PROCESSOR CORE INSTRUCTION SET	212
9.4	FPU INSTRUCTION SET	224
9.5	MMX INSTRUCTION SET	229
9.6	NATIONAL SEMICONDUCTOR EXTENDED MMX INSTRUCTION SET	234

Table of Contents (Continued)

Appendix A Support Documentation **236**
 A.1 ORDER INFORMATION 236
 A.2 DATA BOOK REVISION HISTORY 236

1.0 Architecture Overview

The National Semiconductor Geode GXm processor is an x86-compatible 32-bit microprocessor. The decoupled load/store unit (within the memory management unit) allows multiple instructions in a single clock cycle. Other features include single-cycle execution, single-cycle instruction decode, 16 KB write-back cache, and clock rates up to 266 MHz. These features are made possible by the use of advanced-process technologies and super-pipelining.

The GXm processor has low power consumption at all clock frequencies. Where additional power savings are required, designers can make use of Suspend mode, Stop Clock capability, and System Management Mode (SMM).

The GXm processor is divided into major functional blocks (as shown in Figure 1-1):

- Integer Unit
- Floating Point Unit (FPU)
- Write-Back Cache Unit
- Memory Management Unit (MMU)
- Internal Bus Interface Unit
- Integrated Functions

Instructions are executed in the integer unit and in the floating point unit. The cache unit stores the most recently used data and instructions and provides fast access to this information for the integer and floating point units.

1.1 INTEGER UNIT

The integer unit consists of:

- Instruction Buffer
- Instruction Fetch
- Instruction Decoder and Execution

The superpipelined integer unit fetches, decodes, and executes x86 instructions through the use of a six-stage integer pipeline.

The instruction fetch pipeline stage generates, from the on-chip cache, a continuous high-speed instruction stream for use by the processor. Up to 128 bits of code are read during a single clock cycle.

Branch prediction logic within the prefetch unit generates a predicted target address for unconditional or conditional branch instructions. When a branch instruction is detected, the instruction fetch stage starts loading instructions at the predicted address within a single clock cycle. Up to 48 bytes of code are queued prior to the instruction decode stage.

The instruction decode stage evaluates the code stream provided by the instruction fetch stage and determines the number of bytes in each instruction and the instruction type. Instructions are processed and decoded at a maximum rate of one instruction per clock.

The address calculation function is super-pipelined and contains two stages, AC1 and AC2. If the instruction refers to a memory operand, AC1 calculates a linear memory address for the instruction.

The AC2 stage performs any required memory management functions, cache accesses, and register file accesses. If a floating point instruction is detected by AC2, the instruction is sent to the floating point unit for processing.

The execution stage, under control of microcode, executes instructions using the operands provided by the address calculation stage.

Write-back, the last stage of the integer unit, updates the register file within the integer unit or writes to the load/store unit within the memory management unit.

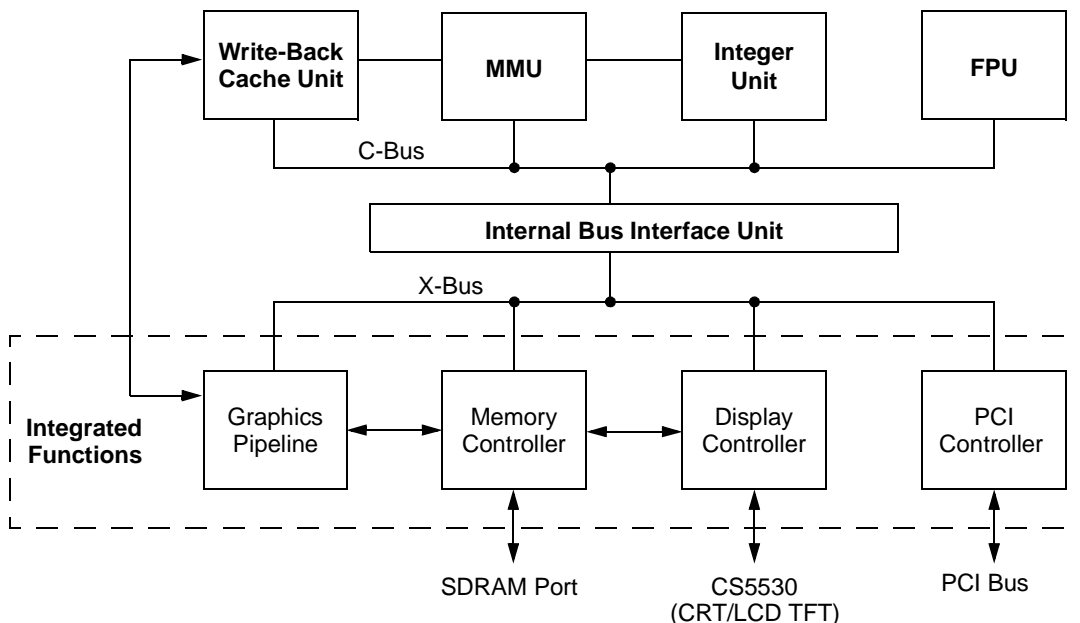


Figure 1-1. Internal Block Diagram

Architecture Overview (Continued)

1.2 FLOATING POINT UNIT

The FPU (Floating Point Unit) interfaces to the integer unit and the cache unit through a 64-bit bus. The FPU is x87-instruction-set compatible and adheres to the IEEE-754 standard. Because almost all applications that contain FPU instructions also contain integer instructions, the GXm processor's FPU achieves high performance by completing integer and FPU operations in parallel.

FPU instructions are dispatched to the pipeline within the integer unit. The address calculation stage of the pipeline checks for memory management exceptions and accesses memory operands for use by the FPU. Once the instructions and operands have been provided to the FPU, the FPU completes instruction execution independently of the integer unit.

1.3 WRITE-BACK CACHE UNIT

The 16 KB write-back unified cache is a data/instruction cache and is configured as four-way set associative. The cache stores up to 16 KB of code and data in 1024 cache lines.

The GXm processor provides the ability to allocate a portion of the L1 cache as a scratchpad, which is used to accelerate the Virtual Systems Architecture algorithms as well as for some graphics operations.

1.4 MEMORY MANAGEMENT UNIT

The memory management unit (MMU) translates the linear address supplied by the integer unit into a physical address to be used by the cache unit and the internal bus interface unit. Memory management procedures are x86-compatible, adhering to standard paging mechanisms.

The MMU also contains a load/store unit that is responsible for scheduling cache and external memory accesses. The load/store unit incorporates two performance-enhancing features:

- **Load-store reordering** that gives priority to memory reads required by the integer unit over writes to external memory.
- **Memory-read bypassing** that eliminates unnecessary memory reads by using valid data from the execution unit.

1.4.1 Internal Bus Interface Unit

The internal bus interface unit provides a bridge from the GXm processor to the integrated system functions (i.e., memory subsystem, display controller, graphics pipeline) and the PCI bus interface.

When external memory access is required, the physical address is calculated by the memory management unit and then passed to the internal bus interface unit, which translates the cycle to an X-Bus cycle (the X-Bus is a National Semiconductor proprietary internal bus which provides a common interface for all of the system modules). The X-Bus memory cycle now is arbitrated between

other pending X-Bus memory requests to the SDRAM controller before completing.

In addition, the internal bus interface unit provides configuration control for up to 20 different regions within system memory with separate controls for read access, write access, cacheability, and PCI access.

1.5 INTEGRATED FUNCTIONS

The GXm processor integrates the following functions traditionally implemented using external devices:

- High-performance 2D graphics accelerator
- Separate CRT and TFT data paths from the display controller
- SDRAM memory controller
- PCI bridge

The processor has also been enhanced to support National Semiconductor's proprietary Virtual System Architecture (VSA) implementation.

The GXm processor implements a Unified Memory Architecture (UMA). By using National Semiconductor's Display Compression Technology (DCT), the performance degradation inherent in traditional UMA systems is eliminated.

1.5.1 Graphics Accelerator

The graphics accelerator is a full-featured GUI (Graphical User Interface) accelerator. The graphics pipeline implements a bitBLT engine for frame buffer bitBLTs and rectangular fills. Additional instructions in the integer unit may be processed, as the bitBLT engine assists the CPU in the bitBLT operations that take place between system memory and the frame buffer. This combination of hardware and software is used by the display driver to provide very fast transfers in both directions between system memory and the frame buffer. The bitBLT engine also draws randomly-oriented vectors, and scanlines for polygon fill. All of the pipeline operations described in the following list can be applied to any bitBLT operation.

- **Pattern Memory.** Render with 8x8 dither, 8x8 monochrome, or 8x1 color pattern.
- **Color Expansion.** Expand monochrome bitmaps to full-depth 8- or 16-bit colors.
- **Transparency.** Suppresses drawing of background pixels for transparent text.
- **Raster Operations.** Boolean operation combines source, destination, and pattern bitmaps.

Architecture Overview (Continued)

1.5.2 Display Controller

The display port is a direct interface to the CS5530 which drives a TFT flat panel display, LCD panel, or a CRT display.

The display controller (video generator) retrieves image data from the frame buffer region of memory, performs a color-look-up if required, inserts the cursor overlay into the pixel stream, generates display timing, and formats the pixel data for output to a variety of display devices. The display controller contains Display Compression Technology (DCT) that allows the GXm processor to refresh the display from a compressed copy of the frame buffer. DCT typically decreases the screen-refresh bandwidth requirement by a factor of 15 to 20, further minimizing bandwidth contention.

1.5.3 XpressRAM Memory Subsystem

The memory controller drives a 64-bit SDRAM port directly. The SDRAM memory array contains both the main system memory and the graphics frame buffer. Up to four module banks of SDRAM are supported. Each module bank will have two or four component banks depending on the memory size and organization. The maximum configuration is four module banks with four component banks providing a total of 16 open banks. The maximum memory size is 1 GB.

The memory controller handles multiple requests for memory data from the GXm processor, the graphics accelerator and the display controller. The memory controller contains extensive buffering logic that helps minimize contention for memory bandwidth between graphics and CPU requests. The memory controller cooperates with the internal bus controller to determine the cacheability of all memory references.

1.5.4 PCI Controller

The GXm processor incorporates a full-function PCI interface module that includes the PCI arbiter. All accesses to external I/O devices are sent over the PCI bus, although most memory accesses are serviced by the SDRAM controller. The Internal Bus Interface Unit contains address mapping logic that determines if memory accesses are targeted for the SDRAM or for the PCI bus.

Architecture Overview (Continued)

1.6 GEODE GXM/CS5530 SYSTEM DESIGNS

The GXm Integrated Subsystem with MMX support consists of two chips, the GXm Processor and the CS5530 I/O companion. The subsystem provides high performance using 32-bit x86 processing. The two chips integrate video, audio and memory interface functions normally performed by external hardware.

As described in separate manuals, the CS5530 enables the full features of the GXm processor with MMX support. These features include full VGA and VESA video, 16-bit stereo sound, IDE interface, ISA interface, SMM power

management, and AT compatibility logic. In addition, the newer CS5530 provides an Ultra DMA/33 interface, MPEG2 assist, and AC97 Version 2.0 compliant audio.

Figure 1-2 shows a basic block system diagram (refer to Figure 2-4 on page 34 for detailed subsystem interconnection signals). It includes the National Semiconductor CS9210 Dual-Scan Flat Panel Display Controller for designs that need to interface to a DSTN panel (instead of TFT panel).

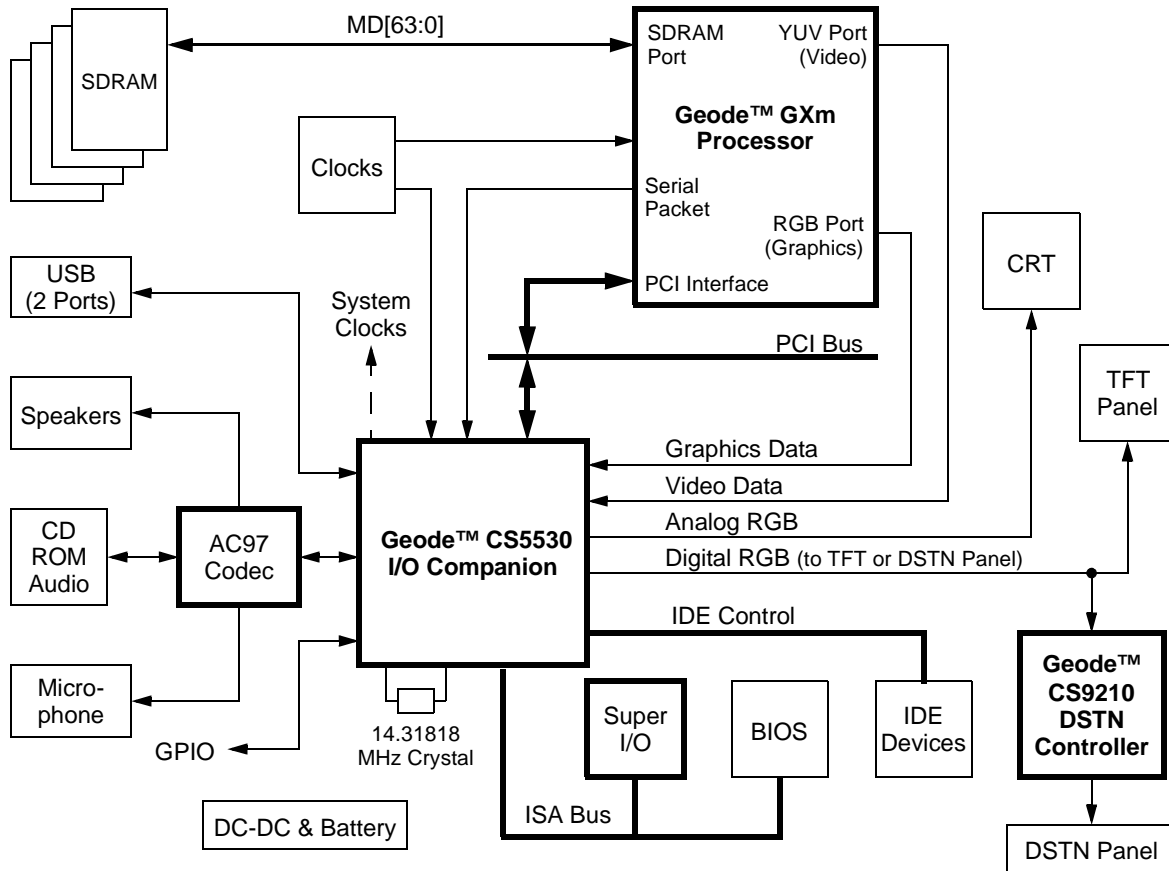


Figure 1-2. Geode™ GXm/CS5530 System Block Diagram

Architecture Overview (Continued)

The CS9210 converts the digital RGB output of the CS5530 I/O companion chip to the digital output suitable for driving a dual-scan color STN (DSTN) flat panel LCD. It connects to the digital RGB output of a GXm processor or 55x0 and drives the graphics data onto a dual-scan flat

panel LCD. It can drive all standard dual-scan color STN flat panels up to 1024x768 resolution. Figure 1-3 shows an example of a CS9210 interface in a typical GXm Integrated Subsystem.

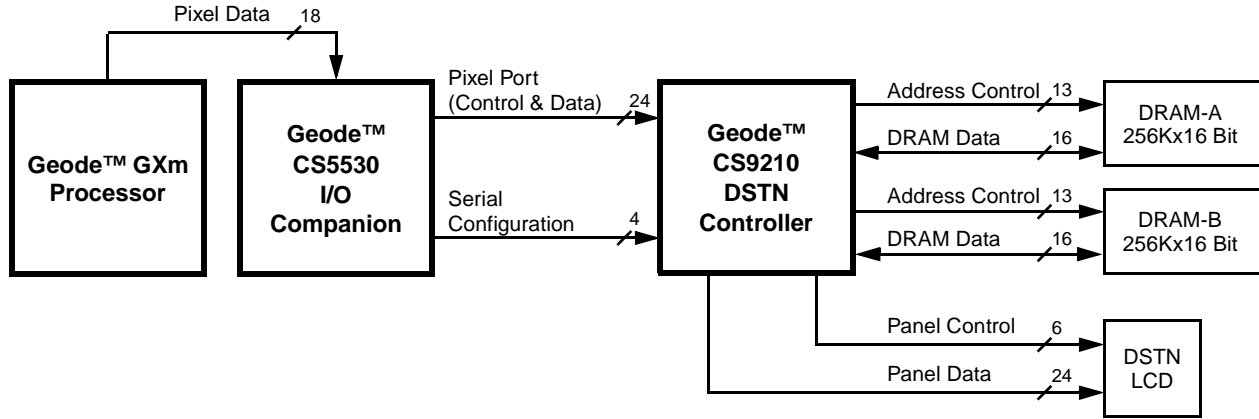


Figure 1-3. CS9210 Interface System Diagram

2.0 Signal Definitions

This section describes the external interface of the Geode GXm processor. Figure 2-1 shows the signals organized by their functional interface groups (internal test and electrical pins are not shown).

2.1 PIN ASSIGNMENTS

The tables in this section use several common abbreviations. Table 2-1 lists the mnemonics and their meanings.

Figure 2-2 on page 14 shows the pin assignment for the 352 BGA with Tables 2-2 and 2-3 listing the pin assignments sorted by pin number and alphabetically by signal name, respectively.

Figure 2-3 on page 19 shows the pin assignment for the 320 SPGA with Tables 2-4 and 2-5 listing the pin assignments sorted by pin number and alphabetically by signal name, respectively.

In Section 2.2 “Signal Descriptions” starting on Page 24 a description of each signal is provided within its associated functional group.

Following the signal descriptions, information regarding subsystem signal connections and split power planes and decoupling is provided.

Table 2-1. Pin Type Definitions

Mnemonic	Definition
I	Standard input pin.
I/O	Bidirectional pin.
O	Totem-pole output.
OD	Open-drain output structure that allows multiple devices to share the pin in a wired-OR configuration
PU	Pull-up resistor
PD	Pull-down resistor
s/t/s	Sustained tri-state, an active-low tri-state signal owned and driven by one and only one agent at a time. The agent that drives an s/t/s pin low must drive it high for at least one clock before letting it float. A new agent cannot start driving an s/t/s signal any sooner than one clock after the previous owner lets it float. A pull-up resistor is required to sustain the inactive state until another agent drives it, and must be provided by the central resource.
VCC (PWR)	Power pin.
VSS (GND)	Ground pin
#	The "#" symbol at the end of a signal name indicates that the active, or asserted state occurs when the signal is at a low voltage level. When "#" is not present after the signal name, the signal is asserted when at a high voltage level.

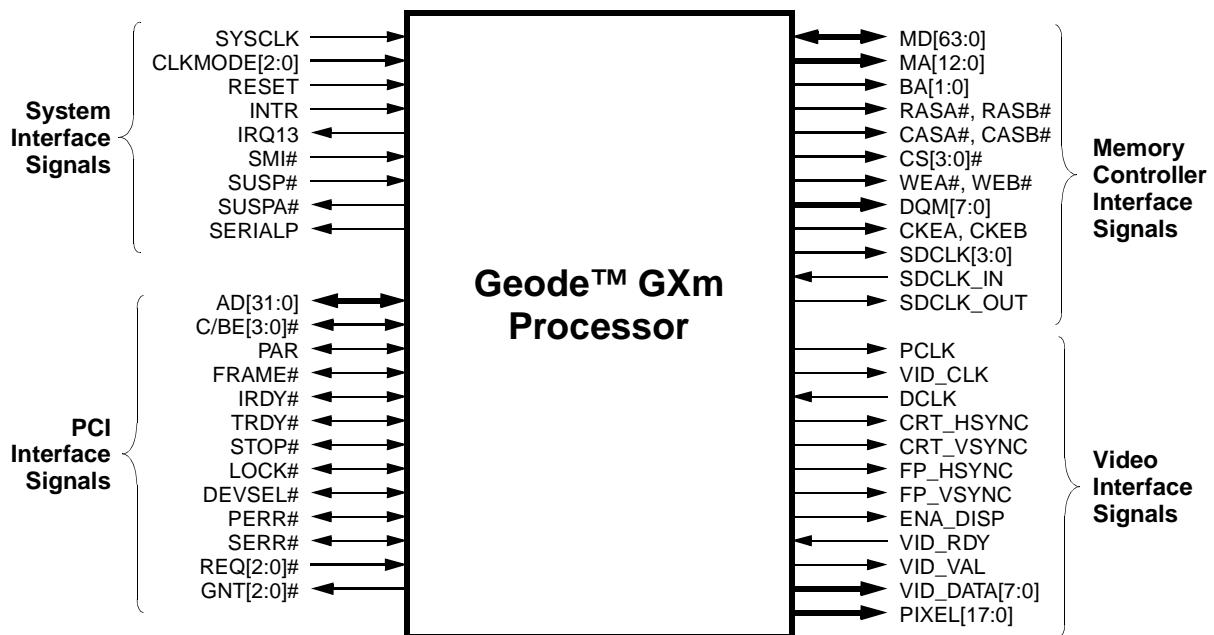
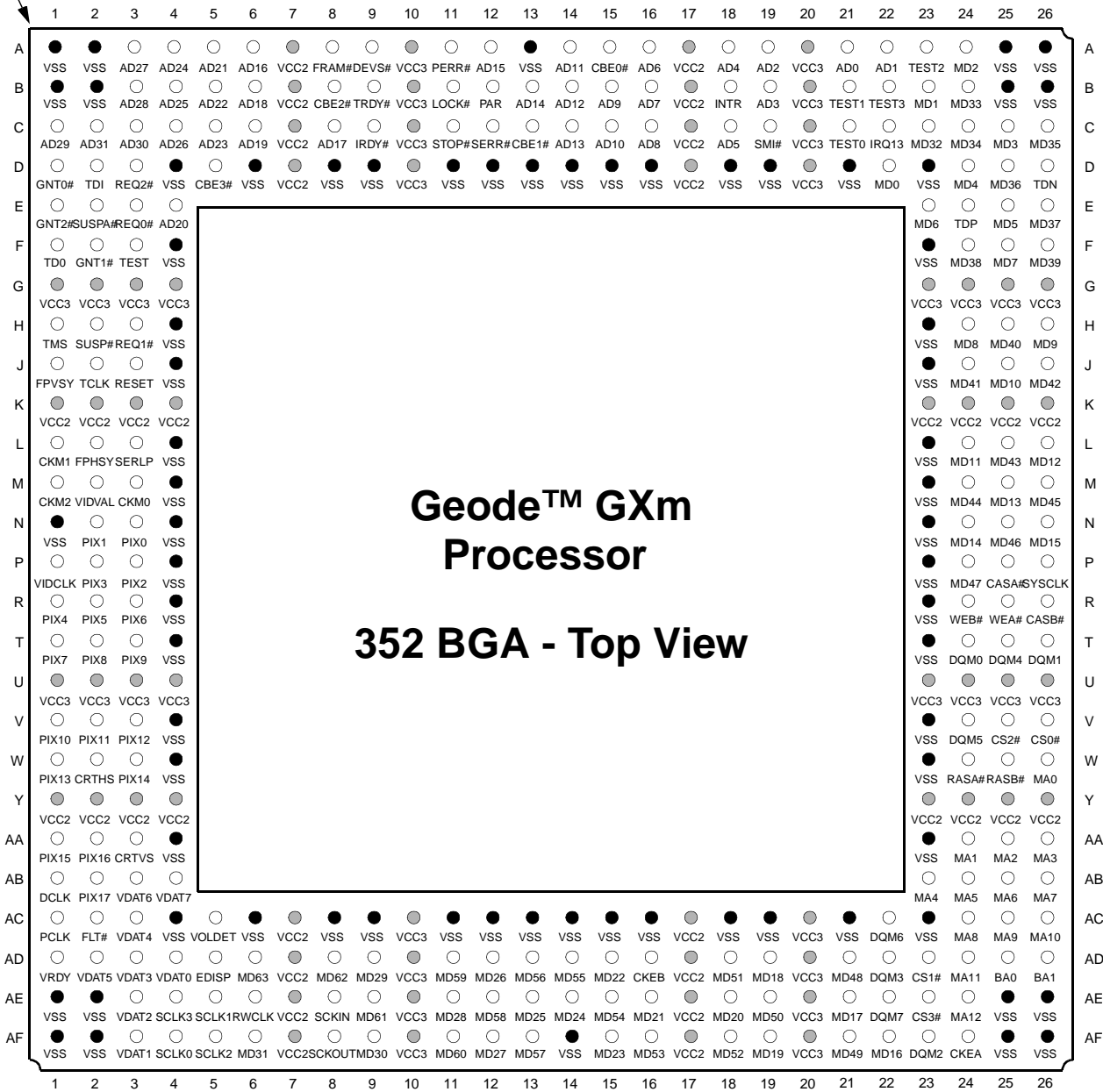


Figure 2-1. Functional Block Diagram

Signal Definitions (Continued)

Index Corner



Note: Signal names have been abbreviated in this figure due to space constraints.

- = GND terminal
- = PWR terminal (VCC2 = VCC_CORE; VCC3 = VCC_IO)

Figure 2-2. 352 BGA Pin Assignment Diagram

For order information refer to Section A.1 "Order Information" on page 236.

Signal Definitions (Continued)

Table 2-2. 352 BGA Pin Assignments - Sorted by Pin Number

Pin No.	Signal Name	Pin No.	Signal Name	Pin No.	Signal Name	Pin No.	Signal Name	Pin No.	Signal Name
A1	VSS	B23	MD1	D19	VSS	K1	VCC2	T1	PIXEL7
A2	VSS	B24	MD33	D20	VCC3	K2	VCC2	T2	PIXEL8
A3	AD27	B25	VSS	D21	VSS	K3	VCC2	T3	PIXEL9
A4	AD24	B26	VSS	D22	MD0	K4	VCC2	T4	VSS
A5	AD21	C1	AD29	D23	VSS	K23	VCC2	T23	VSS
A6	AD16	C2	AD31	D24	MD4	K24	VCC2	T24	DQM0
A7	VCC2	C3	AD30	D25	MD36	K25	VCC2	T25	DQM4
A8	FRAME#	C4	AD26	D26	TDN	K26	VCC2	T26	DQM1
A9	DEVSEL#	C5	AD23	E1	GNT2#	L1	CLKMODE1	U1	VCC3
A10	VCC3	C6	AD19	E2	SUSPA#	L2	FP_HSYNC	U2	VCC3
A11	PERR#	C7	VCC2	E3	REQ0#	L3	SERIALP	U3	VCC3
A12	AD15	C8	AD17	E4	AD20	L4	VSS	U4	VCC3
A13	VSS	C9	IRDY#	E23	MD6	L23	VSS	U23	VCC3
A14	AD11	C10	VCC3	E24	TDP	L24	MD11	U24	VCC3
A15	C/BE0#	C11	STOP#	E25	MD5	L25	MD43	U25	VCC3
A16	AD6	C12	SERR#	E26	MD37	L26	MD12	U26	VCC3
A17	VCC2	C13	C/BE1#	F1	TDO	M1	CLKMODE2	V1	PIXEL10
A18	AD4	C14	AD13	F2	GNT1#	M2	VID_VAL	V2	PIXEL11
A19	AD2	C15	AD10	F3	TEST	M3	CLKMODE0	V3	PIXEL12
A20	VCC3	C16	AD8	F4	VSS	M4	VSS	V4	VSS
A21	AD0	C17	VCC2	F23	VSS	M23	VSS	V23	VSS
A22	AD1	C18	AD5	F24	MD38	M24	MD44	V24	DQM5
A23	TEST2	C19	SMI#	F25	MD7	M25	MD13	V25	CS2#
A24	MD2	C20	VCC3	F26	MD39	M26	MD45	V26	CS0#
A25	VSS	C21	TEST0	G1	VCC3	N1	VSS	W1	PIXEL13
A26	VSS	C22	IRQ13	G2	VCC3	N2	PIXEL1	W2	CRT_HSYNC
B1	VSS	C23	MD32	G3	VCC3	N3	PIXEL0	W3	PIXEL14
B2	VSS	C24	MD34	G4	VCC3	N4	VSS	W4	VSS
B3	AD28	C25	MD3	G23	VCC3	N23	VSS	W23	VSS
B4	AD25	C26	MD35	G24	VCC3	N24	MD14	W24	RASA#
B5	AD22	D1	GNT0#	G25	VCC3	N25	MD46	W25	RASB#
B6	AD18	D2	TDI	G26	VCC3	N26	MD15	W26	MA0
B7	VCC2	D3	REQ2#	H1	TMS	P1	VID_CLK	Y1	VCC2
B8	C/BE2#	D4	VSS	H2	SUSP#	P2	PIXEL3	Y2	VCC2
B9	TRDY#	D5	C/BE3#	H3	REQ1#	P3	PIXEL2	Y3	VCC2
B10	VCC3	D6	VSS	H4	VSS	P4	VSS	Y4	VCC2
B11	LOCK#	D7	VCC2	H23	VSS	P23	VSS	Y23	VCC2
B12	PAR	D8	VSS	H24	MD8	P24	MD47	Y24	VCC2
B13	AD14	D9	VSS	H25	MD40	P25	CASA#	Y25	VCC2
B14	AD12	D10	VCC3	H26	MD9	P26	SYSCLK	Y26	VCC2
B15	AD9	D11	VSS	J1	FP_VSYNC	R1	PIXEL4	AA1	PIXEL15
B16	AD7	D12	VSS	J2	TCLK	R2	PIXEL5	AA2	PIXEL16
B17	VCC2	D13	VSS	J3	RESET	R3	PIXEL6	AA3	CRT_VSYNC
B18	INTR	D14	VSS	J4	VSS	R4	VSS	AA4	VSS
B19	AD3	D15	VSS	J23	VSS	R23	VSS	AA23	VSS
B20	VCC3	D16	VSS	J24	MD41	R24	WEB#	AA24	MA1
B21	TEST1	D17	VCC2	J25	MD10	R25	WEA#	AA25	MA2
B22	TEST3	D18	VSS	J26	MD42	R26	CASB#	AA26	MA3

Signal Definitions (Continued)

Table 2-2. 352 BGA Pin Assignments - Sorted by Pin Number (Continued)

Pin No.	Signal Name	Pin No.	Signal Name	Pin No.	Signal Name	Pin No.	Signal Name	Pin No.	Signal Name
AB1	DCLK	AC16	VSS	AD13	MD56	AE10	VCC3	AF7	VCC2
AB2	PIXEL17	AC17	VCC2	AD14	MD55	AE11	MD28	AF8	SDCLK_OUT
AB3	VID_DATA6	AC18	VSS	AD15	MD22	AE12	MD58	AF9	MD30
AB4	VID_DATA7	AC19	VSS	AD16	CKEB	AE13	MD25	AF10	VCC3
AB23	MA4	AC20	VCC3	AD17	VCC2	AE14	MD24	AF11	MD60
AB24	MA5	AC21	VSS	AD18	MD51	AE15	MD54	AF12	MD27
AB25	MA6	AC22	DQM6	AD19	MD18	AE16	MD21	AF13	MD57
AB26	MA7	AC23	VSS	AD20	VCC3	AE17	VCC2	AF14	VSS
AC1	PCLK	AC24	MA8	AD21	MD48	AE18	MD20	AF15	MD23
AC2	FLT#	AC25	MA9	AD22	DQM3	AE19	MD50	AF16	MD53
AC3	VID_DATA4	AC26	MA10	AD23	CS1#	AE20	VCC3	AF17	VCC2
AC4	VSS	AD1	VID_RDY	AD24	MA11	AE21	MD17	AF18	MD52
AC5	VOLDET	AD2	VID_DATA5	AD25	BA0	AE22	DQM7	AF19	MD19
AC6	VSS	AD3	VID_DATA3	AD26	BA1	AE23	CS3#	AF20	VCC3
AC7	VCC2	AD4	VID_DATA0	AE1	VSS	AE24	MA12	AF21	MD49
AC8	VSS	AD5	ENA_DISP	AE2	VSS	AE25	VSS	AF22	MD16
AC9	VSS	AD6	MD63	AE3	VID_DATA2	AE26	VSS	AF23	DQM2
AC10	VCC3	AD7	VCC2	AE4	SDCLK3	AF1	VSS	AF24	CKEA
AC11	VSS	AD8	MD62	AE5	SDCLK1	AF2	VSS	AF25	VSS
AC12	VSS	AD9	MD29	AE6	RW_CLK	AF3	VID_DATA1	AF26	VSS
AC13	VSS	AD10	VCC3	AE7	VCC2	AF4	SDCLK0		
AC14	VSS	AD11	MD59	AE8	SDCLK_IN	AF5	SDCLK2		
AC15	VSS	AD12	MD26	AE9	MD61	AF6	MD31		

Signal Definitions (Continued)

Table 2-3. 352 BGA Pin Assignments - Sorted Alphabetically by Signal Name

Signal Name	Type	Pin No.	Signal Name	Type	Pin No.	Signal Name	Type	Pin No.	Signal Name	Type	Pin No.
AD0	I/O	A21	DQM0	O	T24	MD20	I/O	AE18	PIXEL6	O	R3
AD1	I/O	A22	DQM1	O	T26	MD21	I/O	AE16	PIXEL7	O	T1
AD2	I/O	A19	DQM2	O	AF23	MD22	I/O	AD15	PIXEL8	O	T2
AD3	I/O	B19	DQM3	O	AD22	MD23	I/O	AF15	PIXEL9	O	T3
AD4	I/O	A18	DQM4	O	T25	MD24	I/O	AE14	PIXEL10	O	V1
AD5	I/O	C18	DQM5	O	V24	MD25	I/O	AE13	PIXEL11	O	V2
AD6	I/O	A16	DQM6	O	AC22	MD26	I/O	AD12	PIXEL12	O	V3
AD7	I/O	B16	DQM7	O	AE22	MD27	I/O	AF12	PIXEL13	O	W1
AD8	I/O	C16	ENA_DISP	O	AD5	MD28	I/O	AE11	PIXEL14	O	W3
AD9	I/O	B15	FLT#	I	AC2	MD29	I/O	AD9	PIXEL15	O	AA1
AD10	I/O	C15	FP_HSYNC	O	L2	MD30	I/O	AF9	PIXEL16	O	AA2
AD11	I/O	A14	FP_VSYNC	O	J1	MD31	I/O	AF6	PIXEL17	O	AB2
AD12	I/O	B14	FRAME#	s/t/s	A8 (PU)	MD32	I/O	C23	RASA#	O	W24
AD13	I/O	C14	GNT0#	O	D1	MD33	I/O	B24	RASB#	O	W25
AD14	I/O	B13	GNT1#	O	F2	MD34	I/O	C24	REQ0#	I	E3 (PU)
AD15	I/O	A12	GNT2#	O	E1	MD35	I/O	C26	REQ1#	I	H3 (PU)
AD16	I/O	A6	INTR	I	B18	MD36	I/O	D25	REQ2#	I	D3 (PU)
AD17	I/O	C8	IRDY#	s/t/s	C9 (PU)	MD37	I/O	E26	RESET	I	J3
AD18	I/O	B6	IRQ13	O	C22	MD38	I/O	F24	RW_CLK	O	AE6
AD19	I/O	C6	LOCK#	s/t/s	B11 (PU)	MD39	I/O	F26	SDCLK_IN	I	AE8
AD20	I/O	E4	MA0	O	W26	MD40	I/O	H25	SDCLK_OUT	O	AF8
AD21	I/O	A5	MA1	O	AA24	MD41	I/O	J24	SDCLK0	O	AF4
AD22	I/O	B5	MA2	O	AA25	MD42	I/O	J26	SDCLK1	O	AE5
AD23	I/O	C5	MA3	O	AA26	MD43	I/O	L25	SDCLK2	O	AF5
AD24	I/O	A4	MA4	O	AB23	MD44	I/O	M24	SDCLK3	O	AE4
AD25	I/O	B4	MA5	O	AB24	MD45	I/O	M26	SERIALP	O	L3
AD26	I/O	C4	MA6	O	AB25	MD46	I/O	N25	SERR#	OD	C12 (PU)
AD27	I/O	A3	MA7	O	AB26	MD47	I/O	P24	SMI#	I	C19
AD28	I/O	B3	MA8	O	AC24	MD48	I/O	AD21	STOP#	s/t/s	C11 (PU)
AD29	I/O	C1	MA9	O	AC25	MD49	I/O	AF21	SUSP#	I	H2 (PU)
AD30	I/O	C3	MA10	O	AC26	MD50	I/O	AE19	SUSPA#	O	E2
AD31	I/O	C2	MA11	O	AD24	MD51	I/O	AD18	SYSClk	I	P26
BA0	O	AD25	MA12	O	AE24	MD52	I/O	AF18	TCLK	I	J2 (PU)
BA1	O	AD26	MD0	I/O	D22	MD53	I/O	AF16	TDI	I	D2 (PU)
CASA#	O	P25	MD1	I/O	B23	MD54	I/O	AE15	TDN	O	D26
CASB#	O	R26	MD2	I/O	A24	MD55	I/O	AD14	TDO	O	F1
C/BE0#	I/O	A15	MD3	I/O	C25	MD56	I/O	AD13	TDP	O	E24
C/BE1#	I/O	C13	MD4	I/O	D24	MD57	I/O	AF13	TEST	I	F3 (PD)
C/BE2#	I/O	B8	MD5	I/O	E25	MD58	I/O	AE12	TEST0	O	C21
C/BE3#	I/O	D5	MD6	I/O	E23	MD59	I/O	AD11	TEST1	O	B21
CKEA	O	AF24	MD7	I/O	F25	MD60	I/O	AF11	TEST2	O	A23
CKEB	O	AD16	MD8	I/O	H24	MD61	I/O	AE9	TEST3	O	B22
CLKMODE0	I	M3	MD9	I/O	H26	MD62	I/O	AD8	TMS	I	H1 (PU)
CLKMODE1	I	L1	MD10	I/O	J25	MD63	I/O	AD6	TRDY#	s/t/s	B9 (PU)
CLKMODE2	I	M1	MD11	I/O	L24	PAR	I/O	B12	VCC2	PWR	A7
CRT_HSYNC	O	W2	MD12	I/O	L26	PCLK	O	AC1	VCC2	PWR	A17
CRT_VSYNC	O	AA3	MD13	I/O	M25	PERR#	s/t/s	A11 (PU)	VCC2	PWR	B7
CS0#	O	V26	MD14	I/O	N24	PIXEL0	O	N3	VCC2	PWR	B17
CS1#	O	AD23	MD15	I/O	N26	PIXEL1	O	N2	VCC2	PWR	C7
CS2#	O	V25	MD16	I/O	AF22	PIXEL2	O	P3	VCC2	PWR	C17
CS3#	O	AE23	MD17	I/O	AE21	PIXEL3	O	P2	VCC2	PWR	D7
DCLK	I	AB1	MD18	I/O	AD19	PIXEL4	O	R1	VCC2	PWR	D17
DEVSEL#	s/t/s	A9 (PU)	MD19	I/O	AF19	PIXEL5	O	R2	VCC2	PWR	K1

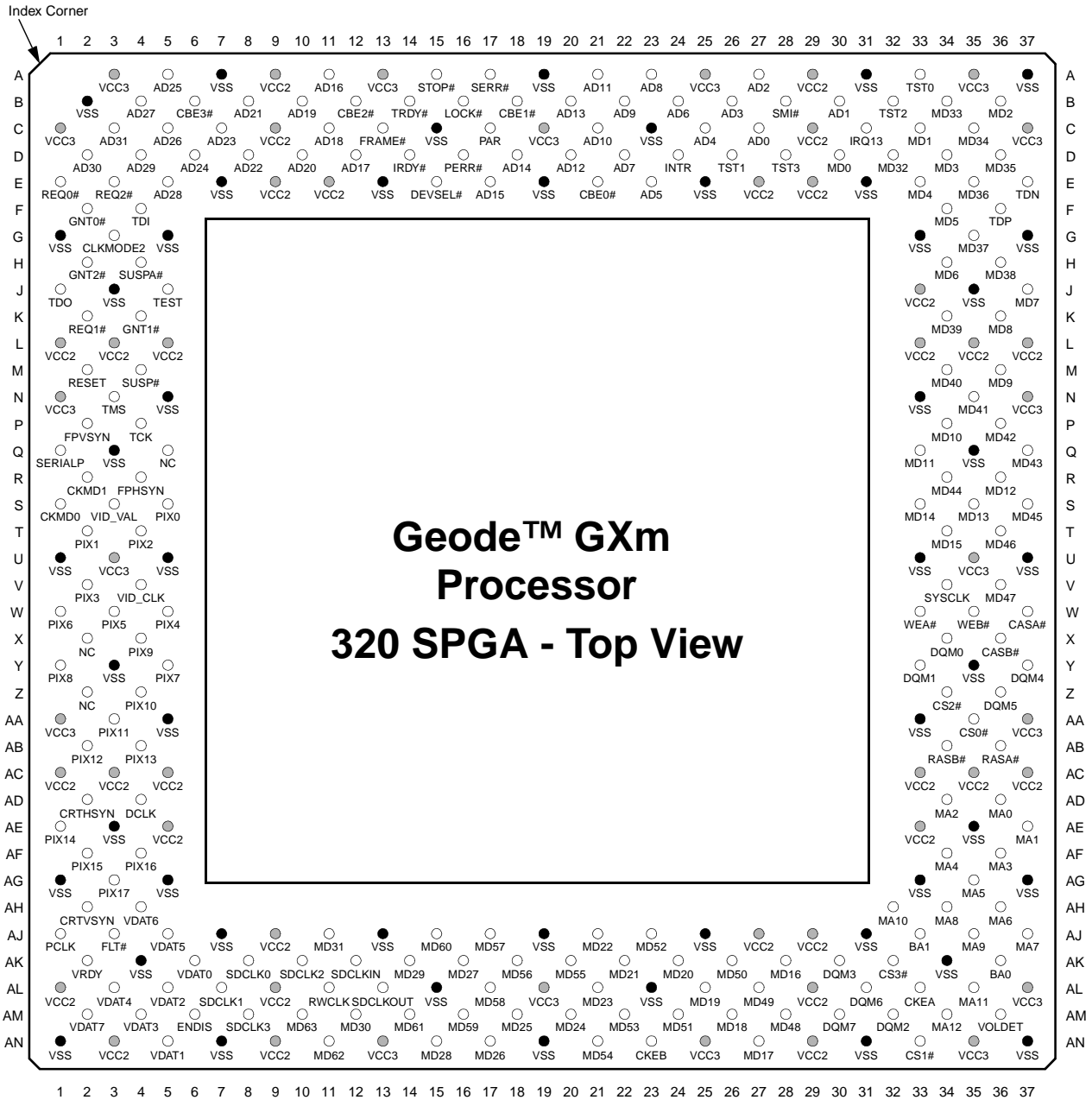
Signal Definitions (Continued)

Table 2-3. 352 BGA Pin Assignments - Sorted Alphabetically by Signal Name (Continued)

Signal Name	Type	Pin No.	Signal Name	Type	Pin No.	Signal Name	Type	Pin No.	Signal Name	Type	Pin No.
VCC2	PWR	K2	VCC3	PWR	G25	VSS	GND	B25	VSS	GND	W4
VCC2	PWR	K3	VCC3	PWR	G26	VSS	GND	B26	VSS	GND	W23
VCC2	PWR	K4	VCC3	PWR	U1	VSS	GND	D4	VSS	GND	AA4
VCC2	PWR	K23	VCC3	PWR	U2	VSS	GND	D6	VSS	GND	AA23
VCC2	PWR	K24	VCC3	PWR	U3	VSS	GND	D8	VSS	GND	AC4
VCC2	PWR	K25	VCC3	PWR	U4	VSS	GND	D9	VSS	GND	AC6
VCC2	PWR	K26	VCC3	PWR	U23	VSS	GND	D11	VSS	GND	AC8
VCC2	PWR	Y1	VCC3	PWR	U24	VSS	GND	D12	VSS	GND	AC9
VCC2	PWR	Y2	VCC3	PWR	U25	VSS	GND	D13	VSS	GND	AC11
VCC2	PWR	Y3	VCC3	PWR	U26	VSS	GND	D14	VSS	GND	AC12
VCC2	PWR	Y4	VCC3	PWR	AC10	VSS	GND	D15	VSS	GND	AC13
VCC2	PWR	Y23	VCC3	PWR	AC20	VSS	GND	D16	VSS	GND	AC14
VCC2	PWR	Y24	VCC3	PWR	AD10	VSS	GND	D18	VSS	GND	AC15
VCC2	PWR	Y25	VCC3	PWR	AD20	VSS	GND	D19	VSS	GND	AC16
VCC2	PWR	Y26	VCC3	PWR	AE10	VSS	GND	D21	VSS	GND	AC18
VCC2	PWR	AC7	VCC3	PWR	AE20	VSS	GND	D23	VSS	GND	AC19
VCC2	PWR	AC17	VCC3	PWR	AF10	VSS	GND	F4	VSS	GND	AC21
VCC2	PWR	AD7	VCC3	PWR	AF20	VSS	GND	F23	VSS	GND	AC23
VCC2	PWR	AD17	VID_CLK	O	P1	VSS	GND	H4	VSS	GND	AE1
VCC2	PWR	AE7	VID_DATA0	O	AD4	VSS	GND	H23	VSS	GND	AE2
VCC2	PWR	AE17	VID_DATA1	O	AF3	VSS	GND	J4	VSS	GND	AE25
VCC2	PWR	AF7	VID_DATA2	O	AE3	VSS	GND	J23	VSS	GND	AE26
VCC2	PWR	AF17	VID_DATA3	O	AD3	VSS	GND	L4	VSS	GND	AF1
VCC3	PWR	A10	VID_DATA4	O	AC3	VSS	GND	L23	VSS	GND	AF2
VCC3	PWR	A20	VID_DATA5	O	AD2	VSS	GND	M4	VSS	GND	AF14
VCC3	PWR	B10	VID_DATA6	O	AB3	VSS	GND	M23	VSS	GND	AF25
VCC3	PWR	B20	VID_DATA7	O	AB4	VSS	GND	N1	VSS	GND	AF26
VCC3	PWR	C10	VID_RDY	I	AD1	VSS	GND	N4	WEA#	O	R25
VCC3	PWR	C20	VID_VAL	O	M2	VSS	GND	N23	WEB#	O	R24
VCC3	PWR	D10	VOLDET	O	AC5	VSS	GND	P4			
VCC3	PWR	D20	VSS	GND	A1	VSS	GND	P23			
VCC3	PWR	G1	VSS	GND	A2	VSS	GND	R4			
VCC3	PWR	G2	VSS	GND	A13	VSS	GND	R23			
VCC3	PWR	G3	VSS	GND	A25	VSS	GND	T4			
VCC3	PWR	G4	VSS	GND	A26	VSS	GND	T23			
VCC3	PWR	G23	VSS	GND	B1	VSS	GND	V4			
VCC3	PWR	G24	VSS	GND	B2	VSS	GND	V23			

Note: PU/PD indicates pin is internally connected to a 20-kohm pull-up/-down resistor.

Signal Definitions (Continued)



Note: Signal names have been abbreviated in this figure due to space constraints.

- = Denotes GND terminal
- = Denotes PWR terminal (VCC2 = VCC_CORE; VCC3 = VCC_IO)

Figure 2-3. 320 SPGA Pin Assignment Diagram

For order information refer to Section A.1 "Order Information" on page 236.

Signal Definitions (Continued)

Table 2-4. 320 SPGA Pin Assignments - Sorted by Pin Number

Pin No.	Signal Name	Pin No.	Signal Name	Pin No.	Signal Name	Pin No.	Signal Name	Pin No.	Signal Name
A3	VCC3	C25	AD4	G1	VSS	R34	MD44	AB2	PIXEL12
A5	AD25	C27	AD0	G3	CLKMODE2	R36	MD12	AB4	PIXEL13
A7	VSS	C29	VCC2	G5	VSS	S1	CLKMODE0	AB34	RASB#
A9	VCC2	C31	IRQ13	G33	VSS	S3	VID_VAL	AB36	RASA#
A11	AD16	C33	MD1	G35	MD37	S5	PIXEL0	AC1	VCC2
A13	VCC3	C35	MD34	G37	VSS	S33	MD14	AC3	VCC2
A15	STOP#	C37	VCC3	H2	GNT2#	S35	MD13	AC5	VCC2
A17	SERR#	D2	AD30	H4	SUSPA#	S37	MD45	AC33	VCC2
A19	VSS	D4	AD29	H34	MD6	T2	PIXEL1	AC35	VCC2
A21	AD11	D6	AD24	H36	MD38	T4	PIXEL2	AC37	VCC2
A23	AD8	D8	AD22	J1	TDO	T34	MD15	AD2	CRT_HSYNC
A25	VCC3	D10	AD20	J3	VSS	T36	MD46	AD4	DCLK
A27	AD2	D12	AD17	J5	TEST	U1	VSS	AD34	MA2
A29	VCC2	D14	IRDY#	J33	VCC2	U3	VCC3	AD36	MA0
A31	VSS	D16	PERR#	J35	VSS	U5	VSS	AE1	PIXEL14
A33	TEST0	D18	AD14	J37	MD7	U33	VSS	AE3	VSS
A35	VCC3	D20	AD12	K2	REQ1#	U35	VCC3	AE5	VCC2
A37	VSS	D22	AD7	K4	GNT1#	U37	VSS	AE33	VCC2
B2	VSS	D24	INTR	K34	MD39	V2	PIXEL3	AE35	VSS
B4	AD27	D26	TEST1	K36	MD8	V4	VID_CLK	AE37	MA1
B6	C/BE3#	D28	TEST3	L1	VCC2	V34	SYSCLK	AF2	PIXEL15
B8	AD21	D30	MD0	L3	VCC2	V36	MD47	AF4	PIXEL16
B10	AD19	D32	MD32	L5	VCC2	W1	PIXEL6	AF34	MA4
B12	C/BE2#	D34	MD3	L33	VCC2	W3	PIXEL5	AF36	MA3
B14	TRDY#	D36	MD35	L35	VCC2	W5	PIXEL4	AG1	VSS
B16	LOCK#	E1	REQ0#	L37	VCC2	W33	WEA#	AG3	PIXEL17
B18	C/BE1#	E3	REQ2#	M2	RESET	W35	WEB#	AG5	VSS
B20	AD13	E5	AD28	M4	SUSP#	W37	CASA#	AG33	VSS
B22	AD9	E7	VSS	M34	MD40	X2	NC	AG35	MA5
B24	AD6	E9	VCC2	M36	MD9	X4	PIXEL9	AG37	VSS
B26	AD3	E11	VCC2	N1	VCC3	X34	DQM0	AH2	CRT_VSYNC
B28	SMI#	E13	VSS	N3	TMS	X36	CASB#	AH4	VID_DATA6
B30	AD1	E15	DEVSEL#	N5	VSS	Y1	PIXEL8	AH32	MA10
B32	TEST2	E17	AD15	N33	VSS	Y3	VSS	AH34	MA8
B34	MD33	E19	VSS	N35	MD41	Y5	PIXEL7	AH36	MA6
B36	MD2	E21	C/BE0#	N37	VCC3	Y33	DQM1	AJ1	PCLK
C1	VCC3	E23	AD5	P2	FP_VSYNC	Y35	VSS	AJ3	FTL#
C3	AD31	E25	VSS	P4	TCLK	Y37	DQM4	AJ5	VID_DATA5
C5	AD26	E27	VCC2	P34	MD10	Z2	NC	AJ7	VSS
C7	AD23	E29	VCC2	P36	MD42	Z4	PIXEL10	AJ9	VCC2
C9	VCC2	E31	VSS	Q1	SERIALP	Z34	CS2#	AJ11	MD31
C11	AD18	E33	MD4	Q3	VSS	Z36	DQM5	AJ13	VSS
C13	FRAME#	E35	MD36	Q5	NC	AA1	VCC3	AJ15	MD60
C15	VSS	E37	TDN	Q33	MD11	AA3	PIXEL11	AJ17	MD57
C17	PAR	F2	GNT0#	Q35	VSS	AA5	VSS	AJ19	VSS
C19	VCC3	F4	TDI	Q37	MD43	AA33	VSS	AJ21	MD22
C21	AD10	F34	MD5	R2	CLKMODE1	AA35	CS0#	AJ23	MD52
C23	VSS	F36	TDP	R4	FP_HSYNC	AA37	VCC3	AJ25	VSS

Signal Definitions (Continued)

Table 2-4. 320 SPGA Pin Assignments - Sorted by Pin Number (Continued)

Pin No.	Signal Name	Pin No.	Signal Name	Pin No.	Signal Name	Pin No.	Signal Name	Pin No.	Signal Name
AJ27	VCC2	AK24	MD20	AL21	MD23	AM18	MD25	AN15	MD28
AJ29	VCC2	AK26	MD50	AL23	VSS	AM20	MD24	AN17	MD26
AJ31	VSS	AK28	MD16	AL25	MD19	AM22	MD53	AN19	VSS
AJ33	BA1	AK30	DQM3	AL27	MD49	AM24	MD51	AN21	MD54
AJ35	MA9	AK32	CS3#	AL29	VCC2	AM26	MD18	AN23	CKEB
AJ37	MA7	AK34	VSS	AL31	DQM6	AM28	MD48	AN25	VCC3
AK2	VID_RDY	AK36	BA0	AL33	CKEA	AM30	DQM7	AN27	MD17
AK4	VSS	AL1	VCC2	AL35	MA11	AM32	DQM2	AN29	VCC2
AK6	VID_DATA0	AL3	VID_DATA4	AL37	VCC3	AM34	MA12	AN31	VSS
AK8	SDCLK0	AL5	VID_DATA2	AM2	VID_DATA7	AM36	VOLDET	AN33	CS1#
AK10	SDCLK2	AL7	SDCLK1	AM4	VID_DATA3	AN1	VSS	AN35	VCC3
AK12	SDCLK_IN	AL9	VCC2	AM6	ENA_DISP	AN3	VCC2	AN37	VSS
AK14	MD29	AL11	RW_CLK	AM8	SDCLK3	AN5	VID_DATA1		
AK16	MD27	AL13	SDCLK_OUT	AM10	MD63	AN7	VSS		
AK18	MD56	AL15	VSS	AM12	MD30	AN9	VCC2		
AK20	MD55	AL17	MD58	AM14	MD61	AN11	MD62		
AK22	MD21	AL19	VCC3	AM16	MD59	AN13	VCC3		

Signal Definitions (Continued)

Table 2-5. 320 SPGA Pin Assignments - Sorted Alphabetically by Signal Name

Signal Name	Type	Pin. No.	Signal Name	Type	Pin. No.	Signal Name	Type	Pin. No.	Signal Name	Type	Pin. No.
AD0	I/O	C27	DQM0	O	X34	MD20	I/O	AK24	PIXEL3	O	V2
AD1	I/O	B30	DQM1	O	Y33	MD21	I/O	AK22	PIXEL4	O	W5
AD2	I/O	A27	DQM2	O	AM32	MD22	I/O	AJ21	PIXEL5	O	W3
AD3	I/O	B26	DQM3	O	AK30	MD23	I/O	AL21	PIXEL6	O	W1
AD4	I/O	C25	DQM4	O	Y37	MD24	I/O	AM20	PIXEL7	O	Y5
AD5	I/O	E23	DQM5	O	Z36	MD25	I/O	AM18	PIXEL8	O	Y1
AD6	I/O	B24	DQM6	O	AL31	MD26	I/O	AN17	PIXEL9	O	X4
AD7	I/O	D22	DQM7	O	AM30	MD27	I/O	AK16	PIXEL10	O	Z4
AD8	I/O	A23	ENA_DISP	O	AM6	MD28	I/O	AN15	PIXEL11	O	AA3
AD9	I/O	B22	FLT#	I	AJ3	MD29	I/O	AK14	PIXEL12	O	AB2
AD10	I/O	C21	FP_HSYNC	O	R4	MD30	I/O	AM12	PIXEL13	O	AB4
AD11	I/O	A21	FP_VSYNC	O	P2	MD31	I/O	AJ11	PIXEL14	O	AE1
AD12	I/O	D20	FRAME#	s/t/s	C13 (PU)	MD32	I/O	D32	PIXEL15	O	AF2
AD13	I/O	B20	GNT0#	O	F2	MD33	I/O	B34	PIXEL16	O	AF4
AD14	I/O	D18	GNT1#	O	K4	MD34	I/O	C35	PIXEL17	O	AG3
AD15	I/O	E17	GNT2#	O	H2	MD35	I/O	D36	RASA#	O	AB36
AD16	I/O	A11	INTR	I	D24	MD36	I/O	E35	RASB#	O	AB34
AD17	I/O	D12	IRDY#	s/t/s	D14 (PU)	MD37	I/O	G35	REQ0#	I	E1 (PU)
AD18	I/O	C11	IRQ13	O	C31	MD38	I/O	H36	REQ1#	I	K2 (PU)
AD19	I/O	B10	LOCK#	s/t/s	B16 (PU)	MD39	I/O	K34	REQ2#	I	E3 (PU)
AD20	I/O	D10	MA0	O	AD36	MD40	I/O	M34	RESET	I	M2
AD21	I/O	B8	MA1	O	AE37	MD41	I/O	N35	RW_CLK	O	AL11
AD22	I/O	D8	MA2	O	AD34	MD42	I/O	P36	SDCLK_IN	I	AK12
AD23	I/O	C7	MA3	O	AF36	MD43	I/O	Q37	SDCLK_OUT	O	AL13
AD24	I/O	D6	MA4	O	AF34	MD44	I/O	R34	SDCLK0	O	AK8
AD25	I/O	A5	MA5	O	AG35	MD45	I/O	S37	SDCLK1	O	AL7
AD26	I/O	C5	MA6	O	AH36	MD46	I/O	T36	SDCLK2	O	AK10
AD27	I/O	B4	MA7	O	AJ37	MD47	I/O	V36	SDCLK3	O	AM8
AD28	I/O	E5	MA8	O	AH34	MD48	I/O	AM28	SERIALP	O	Q1
AD29	I/O	D4	MA9	O	AJ35	MD49	I/O	AL27	SERR#	OD	A17 (PU)
AD30	I/O	D2	MA10	O	AH32	MD50	I/O	AK26	SMI#	I	B28
AD31	I/O	C3	MA11	O	AL35	MD51	I/O	AM24	STOP#	s/t/s	A15 (PU)
BA0	O	AK36	MA12	O	AM34	MD52	I/O	AJ23	SUSP#	I	M4 (PU)
BA1	O	AJ33	MD0	I/O	D30	MD53	I/O	AM22	SUSPA#	O	H4
CASA#	O	W37	MD1	I/O	C33	MD54	I/O	AN21	SYSCLK	I	V34
CASB#	O	X36	MD2	I/O	B36	MD55	I/O	AK20	TCLK	I	P4 (PU)
C/BE0#	I/O	E21	MD3	I/O	D34	MD56	I/O	AK18	TDI	I	F4 (PU)
C/BE1#	I/O	B18	MD4	I/O	E33	MD57	I/O	AJ17	TDN	O	E37
C/BE2#	I/O	B12	MD5	I/O	F34	MD58	I/O	AL17	TDO	O	J1
C/BE3#	I/O	B6	MD6	I/O	H34	MD59	I/O	AM16	TDP	O	F36
CKEA	O	AL33	MD7	I/O	J37	MD60	I/O	AJ15	TEST	I	J5 (PD)
CKEB	O	AN23	MD8	I/O	K36	MD61	I/O	AM14	TEST0	O	A33
CLKMODE0	I	S1	MD9	I/O	M36	MD62	I/O	AN11	TEST1	O	D26
CLKMODE1	I	R2	MD10	I/O	P34	MD63	I/O	AM10	TEST2	O	B32
CLKMODE2	I	G3	MD11	I/O	Q33	NC		Q5	TEST3	O	D28
CRT_HSYNC	O	AD2	MD12	I/O	R36	NC		X2	TMS	I	N3 (PU)
CRT_VSYNC	O	AH2	MD13	I/O	S35	NC		Z2	TRDY#	s/t/s	B14 (PU)
CS0#	O	AA35	MD14	I/O	S33	PAR	I/O	C17	VCC2	PWR	A9
CS1#	O	AN33	MD15	I/O	T34	PCLK	O	AJ1	VCC2	PWR	A29
CS2#	O	Z34	MD16	I/O	AK28	PERR#	s/t/s	D16 (PU)	VCC2	PWR	C9
CS3#	O	AK32	MD17	I/O	AN27	PIXEL0	O	S5	VCC2	PWR	C29
DCLK	I	AD4	MD18	I/O	AM26	PIXEL1	O	T2	VCC2	PWR	E9
DEVSEL#	s/t/s	E15 (PU)	MD19	I/O	AL25	PIXEL2	O	T4	VCC2	PWR	E11

Signal Definitions (Continued)

Table 2-5. 320 SPGA Pin Assignments - Sorted Alphabetically by Signal Name (Continued)

Signal Name	Type	Pin. No.	Signal Name	Type	Pin. No.	Signal Name	Type	Pin. No.	Signal Name	Type	Pin. No.
VCC2	PWR	E27	VCC3	PWR	A35	VSS	GND	A31	VSS	GND	AE35
VCC2	PWR	E29	VCC3	PWR	C1	VSS	GND	A37	VSS	GND	AG1
VCC2	PWR	J33	VCC3	PWR	C19	VSS	GND	B2	VSS	GND	AG5
VCC2	PWR	L1	VCC3	PWR	C37	VSS	GND	C15	VSS	GND	AG33
VCC2	PWR	L3	VCC3	PWR	N1	VSS	GND	C23	VSS	GND	AG37
VCC2	PWR	L5	VCC3	PWR	N37	VSS	GND	E7	VSS	GND	AJ7
VCC2	PWR	L33	VCC3	PWR	U3	VSS	GND	E13	VSS	GND	AJ13
VCC2	PWR	L35	VCC3	PWR	U35	VSS	GND	E19	VSS	GND	AJ19
VCC2	PWR	L37	VCC3	PWR	AA1	VSS	GND	E25	VSS	GND	AJ25
VCC2	PWR	AC1	VCC3	PWR	AA37	VSS	GND	E31	VSS	GND	AJ31
VCC2	PWR	AC3	VCC3	PWR	AL19	VSS	GND	G1	VSS	GND	AK4
VCC2	PWR	AC5	VCC3	PWR	AL37	VSS	GND	G5	VSS	GND	AK34
VCC2	PWR	AC33	VCC3	PWR	AN13	VSS	GND	G33	VSS	GND	AL15
VCC2	PWR	AC35	VCC3	PWR	AN25	VSS	GND	G37	VSS	GND	AL23
VCC2	PWR	AC37	VCC3	PWR	AN35	VSS	GND	J3	VSS	GND	AN1
VCC2	PWR	AE5	VID_CLK	O	V4	VSS	GND	J35	VSS	GND	AN7
VCC2	PWR	AE33	VID_DATA0	O	AK6	VSS	GND	N5	VSS	GND	AN19
VCC2	PWR	AJ9	VID_DATA1	O	AN5	VSS	GND	N33	VSS	GND	AN31
VCC2	PWR	AJ27	VID_DATA2	O	AL5	VSS	GND	Q3	VSS	GND	AN37
VCC2	PWR	AJ29	VID_DATA3	O	AM4	VSS	GND	Q35	WEA#	O	W33
VCC2	PWR	AL1	VID_DATA4	O	AL3	VSS	GND	U1	WEB#	O	W35
VCC2	PWR	AL9	VID_DATA5	O	AJ5	VSS	GND	U5			
VCC2	PWR	AL29	VID_DATA6	O	AH4	VSS	GND	U33			
VCC2	PWR	AN3	VID_DATA7	O	AM2	VSS	GND	U37			
VCC2	PWR	AN9	VID_RDY	I	AK2	VSS	GND	Y3			
VCC2	PWR	AN29	VID_VAL	O	S3	VSS	GND	Y35			
VCC3	PWR	A3	VOLDET	O	AM36	VSS	GND	AA5			
VCC3	PWR	A13	VSS	GND	A7	VSS	GND	AA33			
VCC3	PWR	A25	VSS	GND	A19	VSS	GND	AE3			

Note: PU/PD indicates pin is internally connected to a 20-kohm pull-up/down resistor

Signal Definitions (Continued)

2.2 SIGNAL DESCRIPTIONS

2.2.1 System Interface Signals

Signal Name	BGA Pin No.	SPGA Pin No.	Type	Description
SYSCLK	P26	V34	I	<p>System Clock</p> <p>System Clock runs synchronously with the PCI bus. The internal clock of the GXm processor is generated by an internal PLL which multiplies the SYSCLK input and can run up to eight times faster. The SYSCLK to core clock multiplier is configured using the CLKMOD[2:0] inputs.</p> <p>The SYSCLK input is a fixed frequency which can only be stopped or varied when the GXm processor is in a full 3V Suspend. (Section 6.4 "3-Volt Suspend Mode" on page 174 for details regarding this mode.)</p>
CLKMODE[2:0]	M1, L1, M3	G3, R2, S1	I	<p>Clock Mode</p> <p>These signals are used to set the core clock multiplier. The PCI clock "SYSCLK" is multiplied by the value programmed by CLKMODE[2:0] to generate the GXm processor's core clock. CLKMODE2 is valid only for GXm processor revision 4.0 and up. The value read from DIR1 (Device ID Register 1, refer to page 51) affects the definition of the CLKMODE pins.</p> <p>If DIR1 = 30h-33h then CLKMODE[1:0]:</p> <ul style="list-style-type: none"> 00 = SYSCLK multiplied by 4 (Test mode only) 01 = SYSCLK multiplied by 6 10 = SYSCLK multiplied by 7 11 = SYSCLK multiplied by 5 <p>If DIR1 = 34h-4Fh then CLKMODE[1:0]:</p> <ul style="list-style-type: none"> 00 = SYSCLK multiplied by 4 (Test mode only) 01 = SYSCLK multiplied by 6 10 = SYSCLK multiplied by 7 11 = SYSCLK multiplied by 8 <p>If DIR1 > or = 50h then CLKMODE[2:0]:</p> <ul style="list-style-type: none"> 000 = SYSCLK multiplied by 4 (Test mode only) 001 = SYSCLK multiplied by 10 010 = SYSCLK multiplied by 9 011 = SYSCLK multiplied by 5 100 = SYSCLK multiplied by 4 101 = SYSCLK multiplied by 6 110 = SYSCLK multiplied by 7 111 = SYSCLK multiplied by 8
RESET	J3	M2	I	<p>Reset</p> <p>RESET aborts all operations in progress and places the GXm processor into a reset state. RESET forces the CPU and peripheral functions to begin executing at a known state. All data in the on-chip cache is invalidated.</p> <p>RESET is an asynchronous input but must meet specified setup and hold times to guarantee recognition at a particular clock edge. This input is typically generated during the Power-On-Reset sequence.</p> <p>Note: Warm Reset does not require an input on the GXm processor since the function is virtualized using SMM.</p>

Signal Definitions (Continued)

2.2.1 System Interface Signals (Continued)

Signal Name	BGA Pin No.	SPGA Pin No.	Type	Description
INTR	B18	D24	I	<p>(Maskable) Interrupt Request</p> <p>INTR is a level-sensitive input that causes the GXm processor to Suspend execution of the current instruction stream and begin execution of an interrupt service routine. The INTR input can be masked through the Flags Register IF bit. (See Table 3-4 on page 43 for bit definitions.)</p>
IRQ13	C22	C31	O	<p>Interrupt Request Level 13</p> <p>IRQ13 is asserted if an on-chip floating point error occurs.</p> <p>When a floating point error occurs, the GXm processor asserts the IRQ13 pin. The floating point interrupt handler then performs an OUT instruction to I/O address F0h or F1h. The GXm processor accepts either of these cycles and clears the IRQ13 pin.</p> <p>Refer to Section 3.4.1 "I/O Address Space" on page 60 for further information on IN/OUT instructions.</p>
SMI#	C19	B28	I	<p>System Management Interrupt</p> <p>SMI# is a level-sensitive interrupt. SMI# puts the GXm processor into System Management Mode (SMM).</p>
SUSP#	H2 (PU)	M4 (PU)	I	<p>Suspend Request</p> <p>This signal is used to request that the GXm processor enter Suspend mode. After recognition of an active SUSP# input, the processor completes execution of the current instruction, any pending decoded instructions and associated bus cycles. SUSP# is ignored following RESET# and is enabled by setting the SUSP bit in CCR2. (See Table 16 on page 44 for CCR2 bit definitions.)</p> <p>Since the GXm processor includes system logic functions as well as the CPU core, there are special modes designed to support the different power management states associated with APM, ACPI, and portable designs. The part can be configured to stop only the CPU core clocks, or all clocks. When all clocks are stopped, the external clock can also be stopped. (See Section 6.0 "Power Management" on page 174 for more details regarding power management states.)</p> <p>This pin is internally connected to a 20-kohm pull-up resistor. SUSP# is pulled up when not active.</p>
SUSPA#	E2	H4	O	<p>Suspend Acknowledge</p> <p>Suspend Acknowledge indicates that the GXm processor has entered low-power Suspend mode as a result of SUSP# assertion or execution of a HALT instruction. SUSPA# is enabled by setting the SUSP bit in CCR2. (See Table 16 on page 44 for CCR2 bit definitions.)</p> <p>The SYSCLK input may be stopped after SUSPA# has been asserted to further reduce power consumption if the system is configured for 3V Suspend mode. (Section 6.4 "3-Volt Suspend Mode" on page 174 for details regarding this mode.)</p>
SERIALP	L3	Q1	O	<p>Serial Packet</p> <p>Serial Packet is the single wire serial-transmission signal to the CS5530 chip. The clock used for this interface is the PCI clock (SYSCLK). This interface carries packets of miscellaneous information to the chipset to be used by the VSA software handlers.</p>

Signal Definitions (Continued)

2.2.2 PCI Interface Signals

Signal Name	BGA Pin No.	SPGA Pin No	Type	Description
AD[31:0]	Refer to Table 2-3	Refer to Table 2-5	I/O	<p>Multiplexed Address and Data</p> <p>Addresses and data are multiplexed on the same PCI pins. A bus transaction consists of an address phase in the cycle in which FRAME# is asserted followed by one or more data phases. During the address phase, AD[31:0] contain a physical 32-bit address. For I/O, this is a byte address, for configuration and memory it is a DWORD address. During data phases, AD[7:0] contain the least significant byte (LSB) and AD[31:24] contain the most significant byte (MSB). Write data is stable and valid when IRDY# is asserted and read data is stable and valid when TRDY# is asserted. Data is transferred during those SYSCLKS where both IRDY# and TRDY# are asserted.</p>
C/BE[3:0]#	D5, B8, C13, A15	B6, B12, B18, E21	I/O	<p>Multiplexed Command and Byte Enables</p> <p>Bus command and byte enables are multiplexed on the same PCI pins. During the address phase of a transaction when FRAME# is active, C/BE[3:0]# define the bus command. During the data phase C/BE[3:0]# are used as byte enables. The byte enables are valid for the entire data phase and determine which byte lanes carry meaningful data. C/BE0# applies to byte 0 (LSB) and C/BE3# applies to byte 3 (MSB).</p> <p>The command encoding and types are listed below.</p> <p>0000 = Interrupt Acknowledge 0001 = Special Cycle 0010 = I/O Read 0011 = I/O Write 0100 = Reserved 0101 = Reserved 0110 = Memory Read 0111 = Memory Write 1000 = Reserved 1001 = Reserved 1010 = Configuration Read 1011 = Configuration Write 1100 = Memory Read Multiple 1101 = Dual Address Cycle (Reserved) 1110 = Memory Read Line 1111 = Memory Write and Invalidate</p>
PAR	B12	C17	I/O	<p>Parity</p> <p>Parity generation is required by all PCI agents: the master drives PAR for address and write-data phases, the target drives PAR for read-data phases. Parity is even across AD[31:0] and C/BE[3:0]#.</p> <p>For address phases, PAR is stable and valid one SYSCLK after the address phase. It has the same timing as AD[31:0] but delayed by one SYSCLK.</p> <p>For data phases, PAR is stable and valid one SYSCLK after either IRDY# is asserted on a write transaction or after TRDY# is asserted on a read transaction. Once PAR is valid, it remains valid until one SYSCLK after the completion of the data phase. (Also see PERR#.)</p>

Signal Definitions (Continued)

2.2.2 PCI Interface Signals (Continued)

Signal Name	BGA Pin No.	SPGA Pin No	Type	Description
FRAME#	A8 (PU)	C13 (PU)	s/t/s	<p>Frame</p> <p>Cycle Frame is driven by the current master to indicate the beginning and duration of an access. FRAME# is asserted to indicate a bus transaction is beginning. While FRAME# is asserted, data transfers continue. When FRAME# is deasserted, the transaction is in the final data phase.</p> <p>This pin is internally connected to a 20-kohm pull-up resistor.</p>
IRDY#	C9 (PU)	D14 (PU)	s/t/s	<p>Initiator Ready</p> <p>Initiator Ready is asserted to indicate that the bus master is able to complete the current data phase of the transaction. IRDY# is used in conjunction with TRDY#. A data phase is completed on any SYSCLK in which both IRDY# and TRDY# are sampled asserted. During a write, IRDY# indicates valid data is present on AD[31:0]. During a read, it indicates the master is prepared to accept data. Wait cycles are inserted until both IRDY# and TRDY# are asserted together.</p> <p>This pin is internally connected to a 20-kohm pull-up resistor.</p>
TRDY#	B9 (PU)	B14 (PU)	s/t/s	<p>Target Ready</p> <p>TRDY# is asserted to indicate that the target agent is able to complete the current data phase of the transaction. TRDY# is used in conjunction with IRDY#. A data phase is complete on any SYSCLK in which both TRDY# and IRDY# are sampled asserted. During a read, TRDY# indicates that valid data is present on AD[31:0]. During a write, it indicates the target is prepared to accept data. Wait cycles are inserted until both IRDY# and TRDY# are asserted together.</p> <p>This pin is internally connected to a 20-kohm pull-up resistor.</p>
STOP#	C11 (PU)	A15 (PU)	s/t/s	<p>Target Stop</p> <p>STOP# is asserted to indicate that the current target is requesting the master to stop the current transaction. This signal is used with DEVSEL# to indicate retry, disconnect or target abort. If STOP# is sampled active while a master, FRAME# will be deasserted and the cycle stopped within three SYSCLK cycles. As an input, STOP# can be asserted in the following cases. 1) If a PCI master tries to access memory that has been locked by another master. This condition is detected if FRAME# and LOCK# are asserted during an address phase. 2) STOP# will also be asserted if the PCI write buffers are full or if a previously buffered cycle has not completed. 3) Finally, STOP# can be asserted on read cycles that cross cache line boundaries. This is conditional based upon the programming of bit 1 in PCI Control Function 2 Register. (See Table 4-37 on page 156 for programming details.)</p> <p>This pin is internally connected to a 20-kohm pull-up resistor.</p>

Signal Definitions (Continued)

2.2.2 PCI Interface Signals (Continued)

Signal Name	BGA Pin No.	SPGA Pin No	Type	Description
LOCK#	B11 (PU)	B16 (PU)	s/t/s	<p>Lock Operation</p> <p>LOCK# indicates an atomic operation that may require multiple transactions to complete. When LOCK# is asserted, nonexclusive transactions may proceed to an address that is not currently locked (at least 16 bytes must be locked). A grant to start a transaction on PCI does not guarantee control of LOCK#. Control of LOCK# is obtained under its own protocol in conjunction with GNT#. It is possible for different agents to use PCI while a single master retains ownership of LOCK#. The arbiter can implement a complete system lock. In this mode, if LOCK# is active, no other master can gain access to the system until the LOCK# is deasserted.</p> <p>This pin is internally connected to a 20-kohm pull-up resistor.</p>
DEVSEL#	A9 (PU)	E15 (PU)	s/t/s	<p>Device Select</p> <p>DEVSEL# indicates that the driving device has decoded its address as the target of the current access. As an input, DEVSEL# indicates whether any device on the bus has been selected. DEVSEL# will also be driven by any agent that has the ability to accept cycles on a subtractive decode basis. As a master, if no DEVSEL# is detected within and up to the subtractive decode clock, a master abort cycle will result except for special cycles which do not expect a DEVSEL# returned.</p> <p>This pin is internally connected to a 20-kohm pull-up resistor.</p>
PERR#	A11 (PU)	D16 (PU)	s/t/s	<p>Parity Error</p> <p>PERR# is used for reporting of data parity errors during all PCI transactions except a Special Cycle. The PERR# line is driven two SYSCLKs after the data in which the error was detected. This is one SYSCLK after the PAR that is attached to the data. The minimum duration of PERR# is one SYSCLK for each data phase in which a data parity error is detected. PERR# must be driven high for one SYSCLK before being in TRI-STATE mode. A target asserts PERR# on write cycles if it has claimed the cycle with DEVSEL#. The master asserts PERR# on read cycles.</p> <p>This pin is internally connected to a 20-kohm pull-up resistor.</p>
SERR#	C12 (PU)	A17 (PU)	OD	<p>System Error</p> <p>System Error may be asserted by any agent for reporting errors other than PCI parity. The intent is to have the PCI central agent assert NMI to the processor. When the Parity Enable bit is set in the Memory Controller Configuration register, SERR# will be asserted upon detecting a parity error on read operations from DRAM.</p>
REQ[2:0]#	D3, H3, E3 (PU)	E3, K2, E1 (PU)	I	<p>Request Lines</p> <p>Request indicates to the arbiter that an agent desires use of the bus. Each master has its own REQ# line. REQ# priorities are based on the arbitration scheme chosen.</p> <p>Each of these pins is internally connected to a 20-kohm pull-up resistor.</p>

Signal Definitions (Continued)

2.2.2 PCI Interface Signals (Continued)

Signal Name	BGA Pin No.	SPGA Pin No.	Type	Description
GNT[2:0]#	E1, F2, D1	H2, K4, F2	O	Grant Lines Grant indicates to the requesting master that it has been granted access to the bus. Each master has its own GNT# line. GNT# can be pulled away at any time a higher REQ# is received or if the master does not begin a cycle within a minimum period of time (16 SYSCLKs).

2.2.3 Memory Controller Interface Signals

Signal Name	BGA Pin No.	SPGA Pin No.	Type	Description
Note: The memory controller interface supports two types of memory configurations: SDRAM modules on the system board and JEDEC DIMM connectors. Refer to Section 4.3 “Memory Controller” on page 103 for detailed information regarding signal connections.				
MD[63:0]	Refer to Table 2-3	Refer to Table 2-5	I/O	Memory Data Bus The data bus lines driven to/from system memory.
MA[12:0]	Refer to Table 2-3	Refer to Table 2-5	O	Memory Address Bus The multiplexed row/column address lines driven to the system memory. Supports 256 Mbit SDRAM.
BA[1:0]	AD26, AD25	AJ33, AK36	O	Bank Address Bits These bits are used to select the component bank within the SDRAM.
CS[3:0]#	AE23, V25, AD23, V26	AK32, Z34, AN33, AA35	O	Chip Selects The chip selects are used to select the module bank within the system memory. Each chip select corresponds to a specific module bank. If CS# is high, the bank(s) do not respond to RAS#, CAS#, WE# until the bank is selected again.
RASA#, RASB#	W24, W25	AB36, AB34	O	Row Address Strobe RAS#, CAS#, WE# and CKE are encoded to support the different SDRAM commands. RASA# is used with CS[1:0]#. RASB# is used with CS[3:2]#.
CASA#, CASB#	P25, R26	W37, X36	O	Column Address Strobe RAS#, CAS#, WE# and CKE are encoded to support the different SDRAM commands. CASA# is used with CS[1:0]#. CASB# is used with CS[3:2]#.
WEA#, WEB#	R25, R24	W33, W35	O	Write Enable RAS#, CAS#, WE# and CKE are encoded to support the different SDRAM commands. WEA# is used with CS[1:0]#. WEB# is used with CS[3:2]#.

Signal Definitions (Continued)

2.2.3 Memory Controller Interface Signals (Continued)

Signal Name	BGA Pin No.	SPGA Pin No.	Type	Description
DQM[7:0]	Refer to Table 2-3	Refer to Table 2-5	O	<p>Data Mask Control Bits</p> <p>During memory read cycles, these outputs control whether the SDRAM output buffers are driven on the MD bus or not. All DQM signals are asserted during read cycles.</p> <p>During memory write cycles, these outputs control whether or not MD data will be written into the SDRAM.</p> <p>DQM[7:0] connect directly to the DQM7-0 pins of each connector.</p>
CKEA, CKEB	AF24, AD16	AL33, AN23	O	<p>Clock Enable</p> <p>For normal operation CKE is held high. CKE goes low during Suspend.</p>
SDCLK[3:0]	AE4, AF5, AE5, AF4	AM8, AK10, AL7, AK8	O	<p>SDRAM Clocks</p> <p>The SDRAM samples all the control, address, and data using these clocks.</p>
SDCLK_IN	AE8	AK12	I	<p>SDRAM Clock Input</p> <p>The GXm processor samples the memory read data on this clock. Works in conjunction with the SDCLK_OUT signal.</p>
SDCLK_OUT	AF8	AL13	O	<p>SDRAM Clock Output</p> <p>This output is routed back to SDCLK_IN. The board designer should vary the length of the board trace to control skew between SDCLK_IN and SDCLK.</p>

2.2.4 Video Interface Signals

Signal Name	BGA Pin No.	SPGA Pin No.	Type	Description
PCLK	AC1	AJ1	O	<p>Pixel Port Clock</p> <p>Pixel Port Clock represents the pixel dotclock or a 2x multiple of the dotclock for some 16-bit-per-pixel modes. It determines the data transfer rate from the GXm processor to the CS5530.</p>
VID_CLK	P1	V4	O	<p>Video Clock</p> <p>Video Clock represents the video port clock to the CS5530. This pin is only used if the Video Port is enabled.</p>
DCLK	AB1	AD4	I	<p>DOT Clock</p> <p>The DCLK input is driven from the CS5530 and represents the pixel dot clock. In some cases, such as when displaying 16 BPP data with an eight-bit-graphics pixel port, this clock will actually be a 2x multiple of the dotclock.</p>
CRT_HSYNC	W2	AD2	O	<p>CRT Horizontal Sync</p> <p>CRT Horizontal Sync establishes the line rate and horizontal retrace interval for an attached CRT. The polarity is programmable and depends on the display mode.</p>

Signal Definitions (Continued)

2.2.4 Video Interface Signals (Continued)

Signal Name	BGA Pin No	SPGA Pin No	Type	Description
CRT_VSYNC	AA3	AH2	O	<p>CRT Vertical Sync</p> <p>CRT Vertical Sync establishes the screen refresh rate and vertical retrace interval for an attached CRT. The polarity is programmable and depends on the display mode.</p>
FP_HSYNC	L2	R4	O	<p>Flat Panel Horizontal Sync</p> <p>Flat Panel Horizontal Sync establishes the line rate and horizontal retrace interval for a TFT display. Polarity is programmable and depends on the display mode.</p> <p>This signal is an input to the CS5530. The CS5530 re-drives this signal to the flat panel.</p> <p>If no flat panel is used in the system, this signal does not need to be connected.</p>
FP_VSYNC	J1	P2	O	<p>Flat Panel Vertical Sync</p> <p>Flat Panel Vertical Sync establishes the screen refresh rate and vertical retrace interval for a TFT display. Polarity is programmable and depends on the display mode.</p> <p>This signal is an input to the CS5530. The CS5530 re-drives this signal to the flat panel.</p> <p>If no flat panel is used in the system, this signal does not need to be connected.</p>
ENA_DISP	AD5	AM6	O	<p>Display Enable</p> <p>Display Enable indicates the active display portion of a scan line to the CS5530.</p> <p>In a CS5530-based system, this signal is required to be connected even if there is no TFT panel in the system.</p>
VID_RDY	AD1	AK2	I	<p>Video Ready</p> <p>This input signal indicates that the video FIFO in the CS5530 is ready to receive more data.</p>
VID_VAL	M2	S3	O	<p>Video Valid</p> <p>VID_VAL qualifies valid video data to the CS5530.</p>
VID_DATA[7:0]	Refer to	Refer to Table 2-5	O	<p>Video Data Bus</p> <p>When the Video Port is enabled, this bus drives Video (Y-U-V) data synchronous to the VID_CLK output.</p>
PIXEL[17:0]	Refer to Table 2-3	Refer to Table 2-5	O	<p>Graphics Pixel Data Bus</p> <p>This bus drives graphics pixel data synchronous to the PCLK output.</p>

Signal Definitions (Continued)

2.2.5 Power, Ground, and No Connect Signals

Signal Name	BGA Pin No.	SPGA Pin No.	Type	Description
VOLDET	AC5	AM36	O	Voltage Detect In early schematic revisions this pin was identified as VOLDET. However, in the production version this pin is a "no connect" and should be left disconnected.
VSS	Refer to Table 2-3 (Total of 71)	Refer to Table 2-5 (Total of 50)	GND	Ground Connection
VCC2	Refer to Table 2-3 (Total of 32)	Refer to Table 2-5 (Total of 32)	PWR	2.9V (nominal) Core Power Connection
VCC3	Refer to Table 2-3 (Total of 32)	Refer to Table 2-5 (Total of 18)	PWR	3.3V (nominal) I/O Power Connection
NC	--	Q5, X2, Z2		No Connection A line designated as NC should be left disconnected.

2.2.6 Internal Test and Measurement Signals

Signal Name	BGA Pin No.	SPGA Pin No.	Type	Description
FLT#	AC2	AJ3	I	Float Float Outputs force the GXm processor to float all outputs in the high-impedance state and to enter a power-down state.
RW_CLK	AE6	AL11	O	Raw Clock This output is the GXm processor clock. This debug signal can be used to verify clock operation.
TEST[3:0]	B22, A23, B21, C21	D28, B32, D26, A33	O	SDRAM Test Outputs These outputs are used for internal debug only.
TCLK	J2 (PU)	P4 (PU)	I	Test Clock JTAG test clock. This pin is internally connected to a 20-kohm pull-up resistor.
TDI	D2 (PU)	F4 (PU)	I	Test Data Input JTAG serial test-data input. This pin is internally connected to a 20-kohm pull-up resistor.
TDO	F1	J1	O	Test Data Output JTAG serial test-data output.

Signal Definitions (Continued)

2.2.6 Internal Test and Measurement Signals

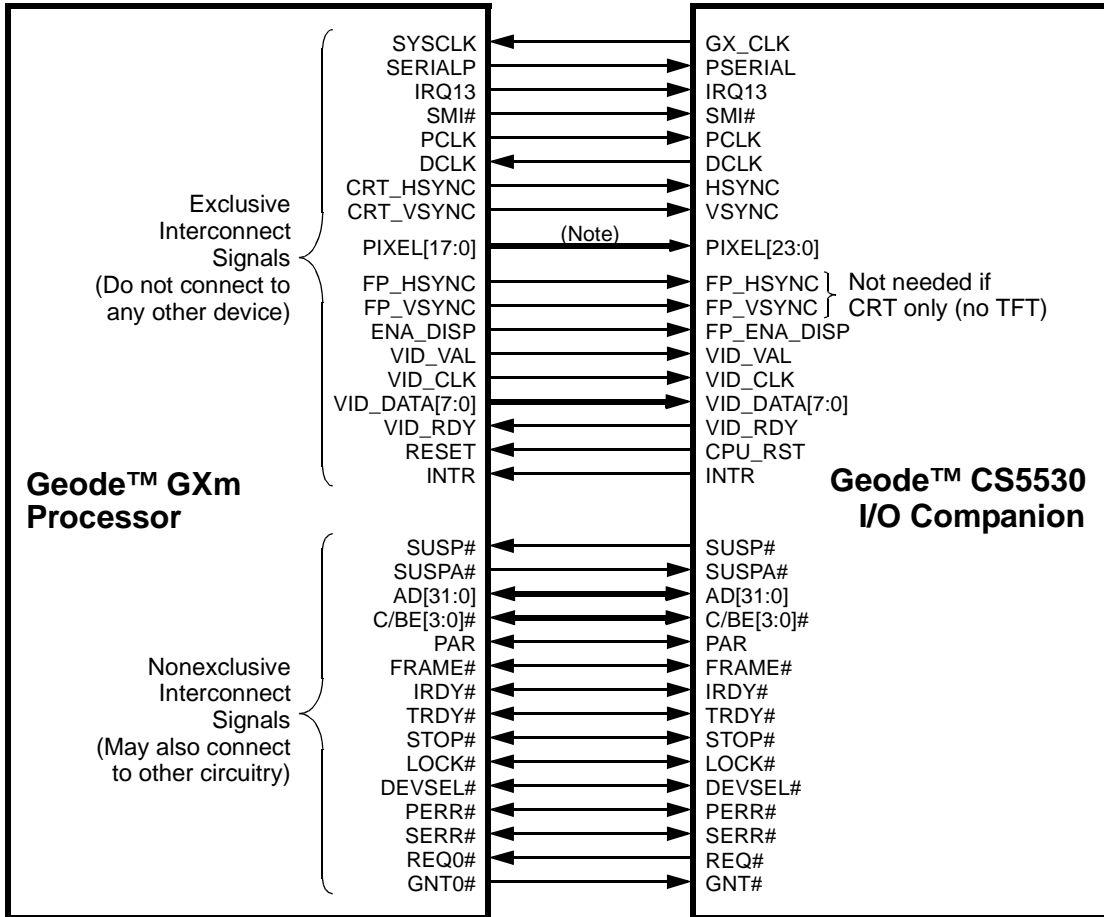
Signal Name	BGA Pin No.	SPGA Pin No.	Type	Description
TMS	H1 (PU)	N3 (PU)	I	Test Mode Select JTAG test-mode select. This pin is internally connected to a 20-kohm pull-up resistor.
TEST	F3 (PD)	J5 (PD)	I	Test Test-mode input. This pin is internally connected to a 20-kohm pull-down resistor.
TDP	E24	F36	O	Thermal Diode Positive TDP is the positive terminal of the thermal diode on the die. The diode is used to do thermal characterization of the device in a system. This signal works in conjunction with TDN.
TDN	D26	E37	O	Thermal Diode Negative TDN is the negative terminal of the thermal diode on the die. The diode is used to do thermal characterization of the device in a system. This signal works in conjunction with TDP.

Signal Definitions (Continued)

2.3 SUBSYSTEM SIGNAL CONNECTIONS

As previously stated, the GXm Integrated Subsystem with MMX support consists of two chips: the GXm Processor and the CS5530 I/O companion. Figure 2-4 shows the

signal connections between the processor and the I/O companion chip.



Note: Refer to Figure 2-5 for interconnection of these lines.

Figure 2-4. Subsystem Signal Connections

Signal Definitions (Continued)

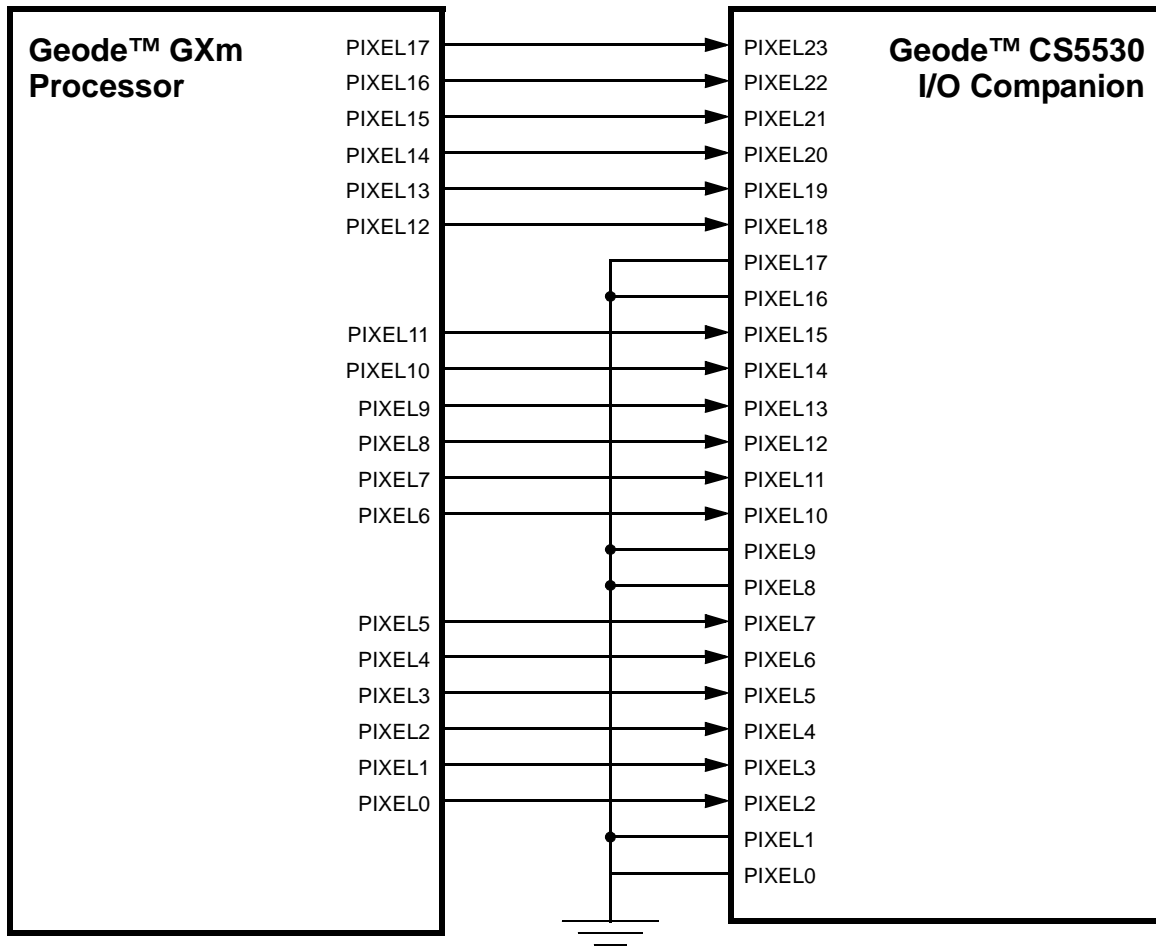


Figure 2-5. PIXEL Signal Connections

Signal Definitions (Continued)

2.4 POWER PLANES

Figure 2-6 shows layout recommendations for splitting the power plane between VCC2 (core: 2.9V) and VCC3 (I/O: 3.3V) volts in the BGA package.

The illustration assumes there is one power plane, and no components on the back of the board

Figure 2-7 shows layout recommendations for splitting the power plane between VCC2 (core: 2.9V) and VCC3 (I/O: 3.3V) volts for the GXm in the SPGA package.

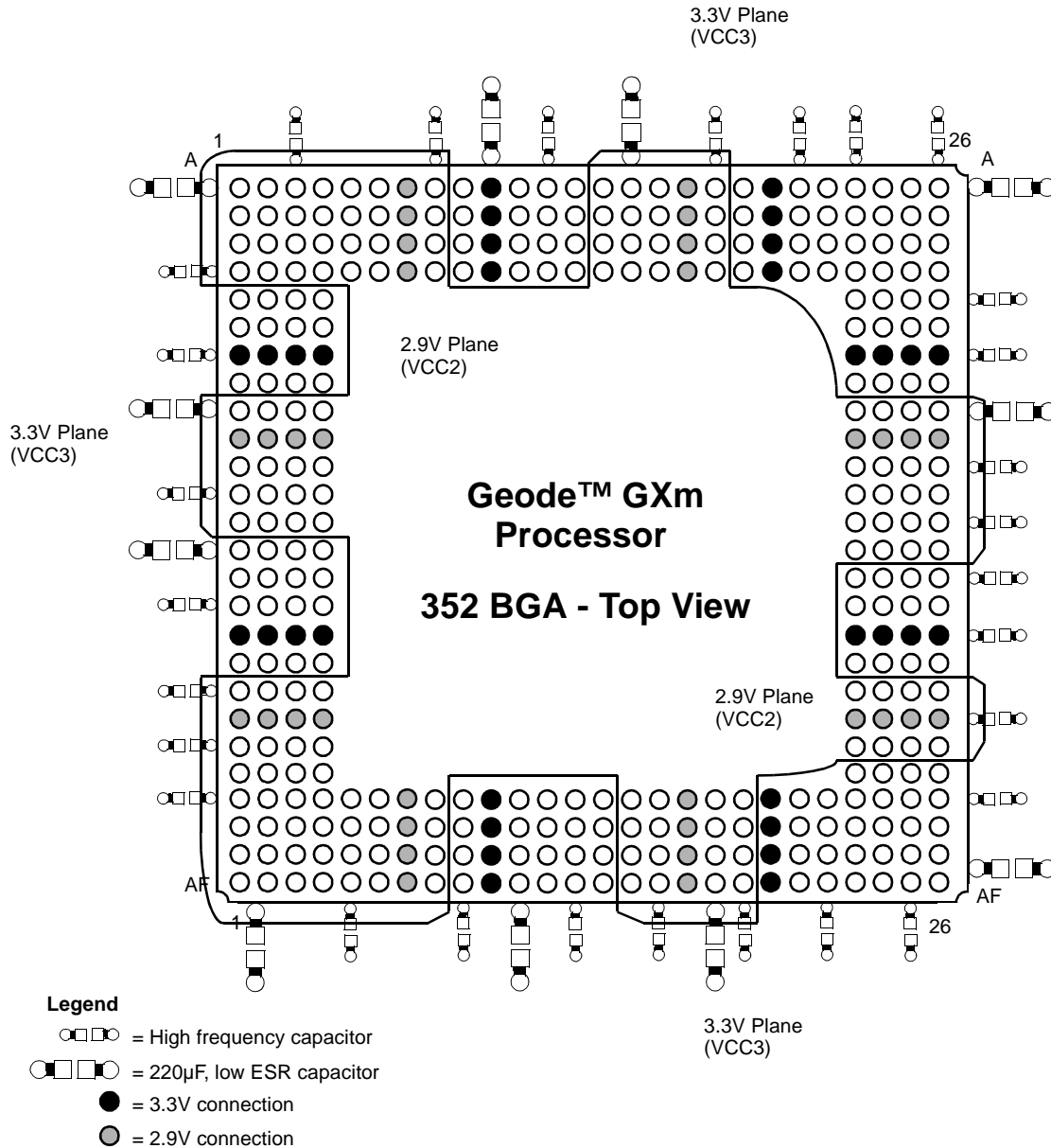
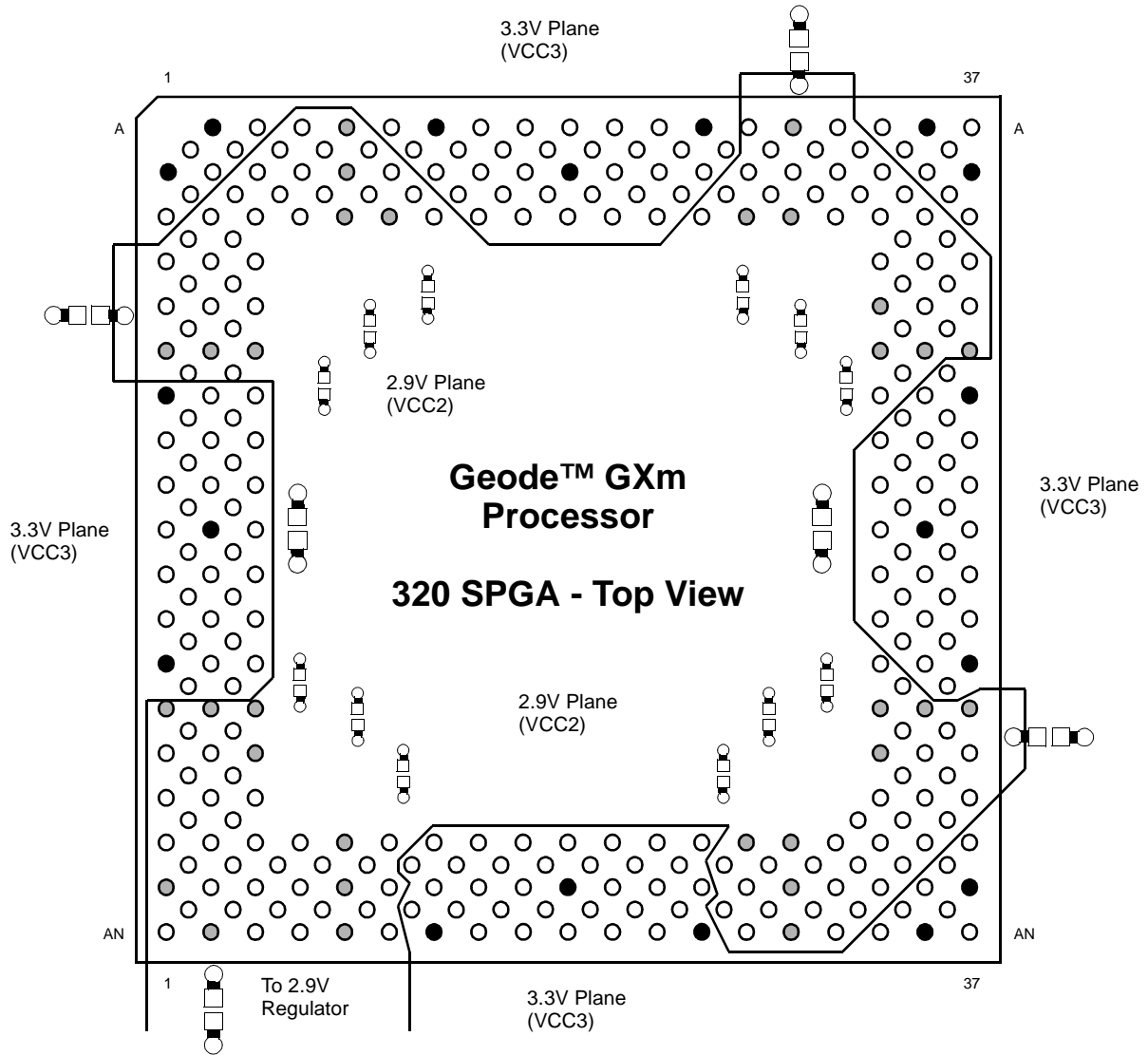


Figure 2-6. BGA Recommended Split Power Plane and Decoupling

Signal Definitions (Continued)



Legend

- = High frequency capacitor
- = 220 μF, low ESR capacitor
- = 3.3V connection
- = 2.9V connection

Note: Where signals cross plane splits, it is recommended to include AC decoupling between planes with 47pF capacitors.

Figure 2-7. SPGA Recommended Split Power Plane and Decoupling

3.0 Processor Programming

This section describes the internal operations of the Geode GXm processor from a programmer's point of view. It includes a description of the traditional "core" processing and FPU operations. The integrated function registers are described at the end of this chapter.

The primary register sets within the processor core include:

- Application Register Set
- System Register Set
- Model Specific Register Set
- Floating Point Unit Register Set.

The initialization of the major registers within in core are shown in Table 3-1.

The integrated function sets are located in main memory space and include:

- Internal Bus Interface Unit Register Set
- Graphics Pipeline Register Set
- Display Controller Register Set
- Memory Controller Register Set
- Power Management Register Set

3.1 CORE PROCESSOR INITIALIZATION

The GXm processor is initialized when the RESET signal is asserted. The processor is placed in real mode and the registers listed in Table 3-1 are set to their initialized values. RESET invalidates and disables the CPU cache, and turns off paging. When RESET is asserted, the CPU terminates all local bus activity and all internal execution. During the entire time that RESET is asserted, the internal pipeline is flushed and no instruction execution or bus activity occurs.

Approximately 150 to 250 external clock cycles after RESET is deasserted, the processor begins executing instructions at the top of physical memory (address location FFFFFFF0h). The actual time depends on the clock scaling in use. Also, an additional 2²⁰ clock cycles are needed when self-test is requested.

Typically, an intersegment jump is placed at FFFFFFF0h. This instruction will force the processor to begin execution in the lowest 1 MB of address space.

The following table, Table 3-1, lists the core registers and illustrates how they are initialized.

Table 3-1. Initialized Core Register Controls

Register	Register Name	Initialized Contents	Comments
EAX	Accumulator	xxxxxxxxh	00000000h indicates self-test passed.
EBX	Base	xxxxxxxxh	
ECX	Count	xxxxxxxxh	
EDX	Data	xxxx 04 [DIR0]h	DIR0 = Device ID
EBP	Base Pointer	xxxxxxxxh	
ESI	Source Index	xxxxxxxxh	
EDI	Destination Index	xxxxxxxxh	
ESP	Stack Pointer	xxxxxxxxh	
EFLAGS	Extended FLAGS	0000002h	See Table 3-4 on page 43 for bit definitions.
EIP	Instruction Pointer	0000FFF0h	
ES	Extra Segment	0000h	Base address set to 00000000h. Limit set to FFFFh.
CS	Code Segment	F000h	Base address set to FFFF0000h. Limit set to FFFFh.
SS	Stack Segment	0000h	Base address set to 00000000h. Limit set to FFFFh.
DS	Data Segment	0000h	Base address set to 00000000h. Limit set to FFFFh.
FS	Extra Segment	0000h	Base address set to 00000000h. Limit set to FFFFh.
GS	Extra Segment	0000h	Base address set to 00000000h. Limit set to FFFFh.
IDTR	Interrupt Descriptor Table Register	Base = 0, Limit = 3FFh	
GDTR	Global Descriptor Table Register	xxxx xxxh	
LDTR	Local Descriptor Table Register	xxxxh	
TR	Task Register	xxxxh	
CR0	Machine Status Word	60000010h	See Table 3-7 on page 49 for bit definitions.
CR2	Control Register 2	xxxxxxxxh	See Table 3-7 on page 49 for bit definitions.
CR3	Control Register 3	xxxxxxxxh	See Table 3-7 on page 49 for bit definitions.
CR4	Control Register 4	00000000h	See Table 3-7 on page 49 for bit definitions.
CCR1	Configuration Control 1	00h	See Table 3-11 on page 49 for bit definitions.
CCR2	Configuration Control 2	00h	See Table 3-11 on page 49 for bit definitions.
CCR3	Configuration Control 3	00h	See Table 3-11 on page 49 for bit definitions.
CCR7	Configuration Control 7	00h	See Table 3-11 on page 50 for bit definitions.
SMAR0	SMM Address 0	00h	See Table 3-11 on page 51 for bit definitions.

Processor Programming (Continued)

Table 3-1. Initialized Core Register Controls (Continued)

Register	Register Name	Initialized Contents	Comments
SMAR1	SMM Address 1	00h	See Table 3-11 on page 50 for bit definitions.
SMAR2	SMM Address 2 / SMAR Size	00h	See Table 3-11 on page 50 for bit definitions.
DIR0	Device Identification 0	4xh	Device ID and reads back initial CPU clock-speed setting. See Table 3-11 on page 51 for bit definitions.
DIR1	Device Identification 1	xxh	Stepping and Revision ID (RO). See Table 3-11 on page 51 for bit definitions.
DR7	Debug Register 7	00000400h	See Table 3-13 on page 53 for bit definitions.

Note: x = Undefined value

3.2 INSTRUCTION SET OVERVIEW

The GXm processor instruction set can be divided into nine types of operations:

- Arithmetic
- Bit Manipulation
- Shift/Rotate
- String Manipulation
- Control Transfer
- Data Transfer
- Floating Point
- High-Level Language Support
- Operating System Support

GXm processor instructions operate on as few as zero operands and as many as three operands. An NOP instruction (no operation) is an example of a zero-operand instruction. Two-operand instructions allow the specification of an explicit source and destination pair as part of the instruction. These two-operand instructions can be divided into ten groups according to operand types:

- Register to Register
- Register to Memory
- Memory to Register
- Memory to Memory
- Register to I/O
- I/O to Register
- Memory to I/O
- I/O to Memory
- Immediate Data to Register
- Immediate Data to Memory

An operand can be held in the instruction itself (as in the case of an immediate operand), in one of the processor's registers or I/O ports, or in memory. An immediate operand is fetched as part of the opcode for the instruction.

Operand lengths of 8, 16, 32 or 48 bits are supported as well as 64 or 80 bits associated with floating-point instructions. Operand lengths of 8 or 32 bits are generally used when executing code written for 386- or 486-class (32-bit code) processors. Operand lengths of 8 or 16 bits are generally used when executing existing 8086 or 80286 code (16-bit code). The default length of an operand can be overridden by placing one or more instruction prefixes in front of the opcode. For example, the use of prefixes allows a 32-bit operand to be used with 16-bit code or a 16-bit operand to be used with 32-bit code.

Section 9.1 "General Instruction Set Format" on page 202 contains the clock count table that lists each instruction in the CPU instruction set. Included in the table are the associated opcodes, execution clock counts, and effects on the EFLAGS register.

3.2.1 Lock Prefix

The LOCK prefix may be placed before certain instructions that read, modify, then write back to memory. The PCI will not be granted access in the middle of locked instructions. The LOCK prefix can be used with the following instructions only when the result is a write operation to memory.

- Bit Test Instructions (BTS, BTR, BTC)
- Exchange Instructions (XADD, XCHG, CMPXCHG)
- One-Operand Arithmetic and Logical Instructions (DEC, INC, NEG, NOT)
- Two-Operand Arithmetic and Logical Instructions (ADC, ADD, AND, OR, SBB, SUB, XOR).

An invalid opcode exception is generated if the LOCK prefix is used with any other instruction or with one of the instructions above when no write operation to memory occurs (for example, when the destination is a register).

Processor Programming (Continued)

3.3 REGISTER SETS

The accessible registers in the processor are grouped into three sets:

- 1) The **Application Register Set** contains the registers frequently used by application programmers. Table 3-2 shows the general purpose, segment, the instruction pointer and the EFLAGS Registers.
- 2) The **System Register Set** contains the registers typically reserved for operating-systems programmers: control, system address, debug, configuration, and test registers.
- 3) The **Model Specific Register (MSR) Set** is used to monitor the performance of the processor or a specific component within the processor. The model specific register set has one 64-bit register called the Time Stamp Counter.

Each of these register sets are discussed in detail in the subsections that follow. Additional registers to support integrated GXm processor subsystems are described in Section 4.1 "Integrated Functions Programming Interface" on page 92.

3.3.1 Application Register Set

The Application Register Set consists of the registers most often used by the applications programmer. These registers are generally accessible, although some bits in the EFLAGS register are protected.

The **General Purpose Register** contents are frequently modified by instructions and typically contain arithmetic and logical instruction operands.

In real mode, **Segment Registers** contain the base address for each segment. In protected mode, the segment registers contain segment selectors. The segment selectors provide indexing for tables (located in memory) that contain the base address for each segment, as well as other memory addressing information.

The **Instruction Pointer Register** points to the next instruction that the processor will execute. This register is automatically incremented by the processor as execution progresses.

The **EFLAGS Register** contains control bits used to reflect the status of previously executed instructions. This register also contains control bits that affect the operation of some instructions.

3.3.1.1 General Purpose Registers

The General Purpose Registers are divided into four data registers, two pointer registers, and two index registers as shown in Table 3-2.

The **Data Registers** are used by the applications programmer to manipulate data structures and to hold the results of logical and arithmetic operations. Different portions of general data registers can be addressed by using different names.

An "E" prefix identifies the complete 32-bit register. An "X" suffix without the "E" prefix identifies the lower 16 bits of the register.

The lower two bytes of a data register are addressed with an "H" suffix (identifies the upper byte) or an "L" suffix (identifies the lower byte). These `_L` and `_H` portions of the data registers act as independent registers. For example, if the AH register is written to by an instruction, the AL register bits remain unchanged.

The **Pointer and Index Registers** are listed below.

SI or ESI	Source Index
DI or EDI	Destination Index
SP or ESP	Stack Pointer
BP or EBP	Base Pointer

These registers can be addressed as 16- or 32-bit registers, with the "E" prefix indicating 32 bits. The pointer and index registers can be used as general purpose registers; however, some instructions use a fixed assignment of these registers. For example, repeated string operations always use ESI as the source pointer, EDI as the destination pointer, and ECX as a counter. The instructions that use fixed registers include multiply and divide, I/O access, string operations, stack operations, loop, variable shift and rotate, and translate instructions.

The GXm processor implements a stack using the ESP register. This stack is accessed during the PUSH and POP instructions, procedure calls, procedure returns, interrupts, exceptions, and interrupt/exception returns. The GXm processor automatically adjusts the value of the ESP during operations that result from these instructions.

The EBP register may be used to refer to data passed on the stack during procedure calls. Local data may also be placed on the stack and accessed with BP. This register provides a mechanism to access stack data in high-level languages.

Processor Programming (Continued)

Table 3-2. Application Register Set

31	30	29	28	27	26	25	24	23	22	21	20	19	18	17	16	15	14	13	12	11	10	9	8	7	6	5	4	3	2	1	0
General Purpose Registers																															
																AX															
																AH								AL							
EAX (Extended A Register)																															
																BX															
																BH								BL							
EBX (Extended B Register)																															
																CX															
																CH								CL							
ECX (Extended C Register)																															
																DX															
																DH								DL							
EDX (Extended D Register)																															
																SI (Source Index)															
ESI (Extended Source Index)																															
																DI (Destination Index)															
EDI (Extended Destination Index)																															
																BP (Base Pointer)															
EBP (Extended Base Pointer)																															
																SP (Stack Pointer)															
ESP (Extended Stack Pointer)																															
Segment (Selector) Registers																															
																CS (Code Segment)															
																SS (Stack Segment)															
																DS (D Data Segment)															
																ES (E Data Segment)															
																FS (F Data Segment)															
																GS (G Data Segment)															
Instruction Pointer and EFLAGS Registers																															
EIP (Extended Instruction Pointer)																															
ESP (Extended FLAGS Register)																															

Processor Programming (Continued)

3.3.1.2 Segment Registers

The 16-bit segment registers, part of the main memory addressing mechanism, are described in Section 3.5 “Offset, Segment, and Paging Mechanisms” on page 61. The six segment registers are:

CS	-	Code Segment
DS	-	Data Segment
SS	-	Stack Segment
ES	-	Extra Segment
FS	-	Additional Data Segment
GS	-	Additional Data Segment

The segment registers are used to select segments in main memory. A segment acts as private memory for different elements of a program such as code space, data space, and stack space.

There are two segment mechanisms, one for real and virtual 8086 operating modes and one for protective mode. Initialization and transition to protective mode is described in Section 3.13.4 “Initialization and Transition to Protected Mode” on page 87. The segment mechanisms are described in Section 3.7 “Descriptors and Segment Mechanisms” on page 62.

The active segment register is selected according to the rules listed in Table 3-3 and the type of instruction being currently processed. In general, the DS register selector is used for data references. Stack references use the SS register, and instruction fetches use the CS register. While some of these selections may be overridden, instruction fetches, stack operations, and the destination write operation of string operations cannot be overridden. Special segment-override instruction prefixes allow the use of alternate segment registers. These segment registers include the ES, FS, and GS registers.

3.3.1.3 Instruction Pointer Register

The **Instruction Pointer (EIP) Register** contains the offset into the current code segment of the next instruction to be executed. The register is normally incremented by the length of the current instruction with each instruction execution unless it is implicitly modified through an interrupt, exception, or an instruction that changes the sequential execution flow (for example JMP and CALL).

Table 3-3 illustrates the code segment selection rules.

Table 3-3. Segment Register Selection Rules

Type of Memory Reference	Implied (Default) Segment	Segment-Override Prefix
Code Fetch	CS	None
Destination of PUSH, PUSHF, INT, CALL, PUSHA instructions	SS	None
Source of POP, POPA, POPF, IRET, RET instructions	SS	None
Destination of STOS, MOVS, REP STOS, REP MOVS instructions	ES	None
Other data references with effective address using base registers of: EAX, EBX, ECX, EDX, ESI, EDI, EBP, ESP	DS	CS, ES, FS, GS, SS
	SS	CS, DS, ES, FS, GS

Processor Programming (Continued)

3.3.1.4 EFLAGS Register

The EFLAGS Register contains status information and controls certain operations on the GXm processor. The lower 16 bits of this register are referred to as the EFLAGS register that is used when executing 8086 or 80286 code. Table 3-4 gives the bit formats for the EFLAGS Register

Table 3-4. EFLAGS Register

Bit	Name	Flag Type	Description
31:22	RSVD	--	Reserved: Set to 0.
21	ID	System	Identification Bit: The ability to set and clear this bit indicates that the CPUID instruction is supported. The ID can be modified only if the CPUID bit in CCR4 (Index E8h[7]) is set.
20:19	RSVD	--	Reserved: Set to 0.
18	AC	System	Alignment Check Enable: In conjunction with the AM flag (bit 18) in CR0, the AC flag determines whether or not misaligned accesses to memory cause a fault. If AC is set, alignment faults are enabled.
17	VM	System	Virtual 8086 Mode: If set while in protected mode, the processor switches to virtual 8086 operation handling segment loads as the 8086 does, but generating exception 13 faults on privileged opcodes. The VM bit can be set by the IRET instruction (if current privilege level is 0) or by task switches at any privilege level.
16	RF	Debug	Resume Flag: Used in conjunction with debug register breakpoints. RF is checked at instruction boundaries before breakpoint exception processing. If set, any debug fault is ignored on the next instruction.
15	RSVD	--	Reserved: Set to 0.
14	NT	System	Nested Task: While executing in protected mode, NT indicates that the execution of the current task is nested within another task.
13:12	IOPL	System	I/O Privilege Level: While executing in protected mode, IOPL indicates the maximum current privilege level (CPL) permitted to execute I/O instructions without generating an exception 13 fault or consulting the I/O permission bit map. IOPL also indicates the maximum CPL allowing alteration of the IF bit when new values are popped into the EFLAGS register.
11	OF	Arithmetic	Overflow Flag: Set if the operation resulted in a carry or borrow into the sign bit of the result but did not result in a carry or borrow out of the high-order bit. Also set if the operation resulted in a carry or borrow out of the high-order bit but did not result in a carry or borrow into the sign bit of the result.
10	DF	Control	Direction Flag: When cleared, DF causes string instructions to auto-increment (default) the appropriate index registers (ESI and/or EDI). Setting DF causes auto-decrement of the index registers to occur.
9	IF	System	Interrupt Enable Flag: When set, maskable interrupts (INTR input pin) are acknowledged and serviced by the CPU.
8	TF	Debug	Trap Enable Flag: Once set, a single-step interrupt occurs after the next instruction completes execution. TF is cleared by the single-step interrupt.
7	SF	Arithmetic	Sign Flag: Set equal to high-order bit of result (0 indicates positive, 1 indicates negative).
6	ZF	Arithmetic	Zero Flag: Set if result is zero; cleared otherwise.
5	RSVD	--	Reserved: Set to 0.
4	AF	Arithmetic	Auxiliary Carry Flag: Set when a carry out of (addition) or borrow into (subtraction) bit position 3 of the result occurs; cleared otherwise.
3	RSVD	--	Reserved: Set to 0.
2	PF	Arithmetic	Parity Flag: Set when the low-order 8 bits of the result contain an even number of ones; otherwise PF is cleared.
1	RSVD		Reserved: Set to 1.
0	CF	Arithmetic	Carry Flag: Set when a carry out of (addition) or borrow into (subtraction) the most significant bit of the result occurs; cleared otherwise.

Processor Programming (Continued)

3.3.2 System Register Set

The system register set, shown in Table 3-5, consists of registers not generally used by application programmers. These registers are typically employed by system level programmers who generate operating systems and memory management programs. Associated with the system register set are certain tables and segments which are listed in Table 3-5.

The **Control Registers** control certain aspects of the GXm processor such as paging, coprocessor functions, and segment protection.

The **Descriptor Tables** hold descriptors that manage memory segments and tables, interrupts and task switching. The tables are defined by corresponding registers.

The two Task State Segments Tables defined by TSS register are used to save and load the computer state when switching tasks.

The **Configuration Registers** are used to define the GXm CPU setup including cache management.

The ID registers allow BIOS and other software to identify the specific CPU and stepping. System Management Mode (SMM) control information is stored in the SMM registers.

The **Debug Registers** provide debugging facilities for the GXm processor and enable the use of data access breakpoints and code execution breakpoints.

The **Test Registers** provide a mechanism to test the contents of both the on-chip 16 KB cache and the Translation Lookaside Buffer (TLB). The TLB is used as a cache for the tables that are used in to translate linear addresses to physical addresses while paging is enabled.

Table 3-5 lists the system register sets along with their size and function.

Table 3-5. System Register Set

Group	Name	Function	Width (Bits)
Control Registers	CR0	System Control Register	32
	CR2	Page Fault Linear Address Register	32
	CR3	Page Directory Base Register	32
	CR4	Time Stamp Counter	32
Descriptor Tables	GDT	General Descriptor Table	32
	IDT	Interrupt Descriptor Table	32
	LDT	Local Descriptor Table	16
Descriptor Table Registers	GDTR	GDT Register	32
	IDTR	IDT Register	32
	LDTR	LDT Register	16
Task State Segment and Registers	TSS	Task State Segment Tables	16
	TR	TSS Register Setup	16
Configuration Registers	CCRn	Configuration Control Registers	8
ID Registers	DIRn	Device Identification Registers	8
SMM Registers	SMARn	SMM Address Region Registers	8
	SMHRn	SMM Header Addresses	8
Performance Registers	PCR0	Performance Control Register	8
Debug Registers	DR0	Linear Breakpoint Address 0	32
	DR1	Linear Breakpoint Address 1	32
	DR2	Linear Breakpoint Address 2	32
	DR3	Linear Breakpoint Address 3	32
	DR6	Breakpoint Status	32
	DR7	Breakpoint Control	32
Test Registers	TR3	Cache Test	32
	TR4	Cache Test	32
	TR5	Cache Test	32
	TR6	TLB Test Control	32
	TR7	TLB Test Status	32

Processor Programming (Continued)

3.3.2.1 Control Registers

A map of the Control Registers (CR0, CR2, CR3, and CR4) is shown in Table 3-6 and the bit definitions are given in Table 3-7. (These registers should not be confused with the CRRn registers.) The CR0 register contains system control bits which configure operating modes and indicate

the general state of the CPU. The lower 16 bits of CR0 are referred to as the Machine Status Word (MSW).

When operating in real mode, any program can read and write the control registers. In protected mode, however, only privilege level 0 (most-privileged) programs can read and write these registers.

Table 3-6. Control Registers Map

31	30	29	28	27	26	25	24	23	22	21	20	19	18	17	16	15	14	13	12	11	10	9	8	7	6	5	4	3	2	1	0								
CR4 Register																Control Register 4 (R/W)																							
RSVD																																							
TSC																																							
CR3 Register																Control Register 3 (R/W)																							
PDBR (Page Directory Base Register)																RSVD						0		0		RSVD													
CR2 Register																Control Register 2 (R/W)																							
PFLA (Page Fault Linear Address)																																							
CR1 Register																Control Register 1 (R/W)																							
RSVD																																							
CR0 Register																Control Register 0 (R/W)																							
PG			CD			NW			RSVD						AM			RSD			WPD			RSVD						NE		RSD		TSS		EMP		PE	
Machine Status Word (MSW)																																							

Table 3-7. CR4-CR0 Bit Definitions

Bit	Name	Description
CR4 Register		
Control Register 4 (R/W)		
31:3	RSVD	Reserved: Set to 0 (always returns 0 when read).
2	TSC	Time Stamp Counter Instruction: If = 1 RDTSC instruction enabled for CPL = 0 only; reset state. If = 0 RDTSC instruction enabled for all CPL states.
1:0	RSVD	Reserved: Set to 0 (always returns 0 when read).
CR3 Register		
Control Register 3 (R/W)		
31:12	PDBR	Page Directory Base Register: Identifies page directory base address on a 4 KB page boundary.
11:0	RSVD	Reserved: Set to 0.
CR2 Register		
Control Register 2 (R/W)		
31:0	PFLA	Page Fault Linear Address: With paging enabled and after a page fault, PFLA contains the linear address of the address that caused the page fault.
CR1 Register		
Control Register 1 (R/W)		
31:0	RSVD	Reserved
CR0 Register		
Control Register 0 (R/W)		
31	PG	Paging Enable Bit: If PG = 1 and protected mode is enabled (PE = 1), paging is enabled. After changing the state of PG, software must execute an unconditional branch instruction (e.g., JMP, CALL) to have the change take effect.

Processor Programming (Continued)

Table 3-7. CR4-CR0 Bit Definitions (Continued)

Bit	Name	Description
30	CD	Cache Disable: If CD = 1, no further cache line fills occur. However, data already present in the cache continues to be used if the requested address hits in the cache. Writes continue to update the cache and cache invalidations due to inquiry cycles occur normally. The cache must also be invalidated with a WBINVD instruction to completely disable any cache activity.
29	NW	Not Write-Through: If NW = 1, the on-chip cache operates in write-back mode. In write-back mode, writes are issued to the external bus only for a cache miss, a line replacement of a modified line, execution of a locked instruction, or a line eviction as the result of a flush cycle. If NW = 0, the on-chip cache operates in write-through mode. In write-through mode, all writes (including cache hits) are issued to the external bus. This bit cannot be changed if LOCK_NW = 1 in CCR2.
18	AM	Alignment Check Mask: If AM = 1, the AC bit in the EFLAGS register is unmasked and allowed to enable alignment check faults. Setting AM = 0 prevents AC faults from occurring.
16	WP	Write Protect: Protects read-only pages from supervisor write access. WP = 0 allows a read-only page to be written from privilege level 0-2. WP = 1 forces a fault on a write to a read-only page from any privilege level.
5	NE	Numerics Exception: NE = 1 to allow FPU exceptions to be handled by interrupt 16. NE = 0 if FPU exceptions are to be handled by external interrupts.
4	RSVD	Reserved: Do not attempt to modify, always 1.
3	TS	Task Switched: Set whenever a task switch operation is performed. Execution of a floating point instruction with TS = 1 causes a DNA fault. If MP = 1 and TS = 1, a WAIT instruction also causes a DNA fault.
2	EM	Emulate Processor Extension: If EM = 1, all floating point instructions cause a DNA fault 7.
1	MP	Monitor Processor Extension: If MP = 1 and TS = 1, a WAIT instruction causes Device Not Available (DNA) fault 7. The TS bit is set to 1 on task switches by the CPU. Floating point instructions are not affected by the state of the MP bit. The MP bit should be set to one during normal operations.
0	PE	Protected Mode Enable: Enables the segment based protection mechanism. If PE = 1, protected mode is enabled. If PE = 0, the CPU operates in real mode and addresses are formed as in an 8086-style CPU. Refer to Section 3.13 "Protection" on page 86.

Table 3-8. Effects of Various Combinations of EM, TS, and MP Bits

CR0[3:1]			Instruction Type	
TS	EM	MP	WAIT	ESC
0	0	0	Execute	Execute
0	0	1	Execute	Execute
1	0	0	Execute	Fault 7
1	0	1	Fault 7	Fault 7
0	1	0	Execute	Fault 7
0	1	1	Execute	Fault 7
1	1	0	Execute	Fault 7
1	1	1	Fault 7	Fault 7

Processor Programming (Continued)

3.3.2.2 Configuration Registers

The configuration registers listed in Table 3-9 are CPU registers and are selected by register index numbers. The registers are accessed through I/O memory locations 22h and 23h. Registers are selected for access by writing an index number to I/O Port 22h using an OUT instruction prior to transferring data through I/O Port 23h.

Each data transfer through I/O Port 23h must be preceded by a register index selection through I/O Port 22h; otherwise, subsequent I/O Port 23h operations are directed off-chip and produce external I/O cycles.

If MAPEN, bit 4 of CCR3 (Index C3h[4]) = 0, external I/O cycles occur if the register index number is outside the range C0h-CFh, FEh, and FFh. The MAPEN bit should remain 0 during normal operation to allow system registers located at I/O Port 22h to be accessed.

Table 3-9. Configuration Register Summary

Index	Type	Name	Access Controlled By*	Default Value	Reference (Bit Formats)
C1h	R/W	CCR1 — Configuration Control 1	SMI_LOCK	00h	Table 3-11 on page 49
C2h	R/W	CCR2 — Configuration Control 2	--	00h	Table 3-11 on page 49
C3h	R/W	CCR3 — Configuration Control 3	SMI_LOCK	00h	Table 3-11 on page 49
E8h	R/W	CCR4 — Configuration Control 4	MAPEN	85h	Table 3-11 on page 50
EBh	R/W	CCR7 — Configuration Control 7	--	00h	Table 3-11 on page 50
20h	R/W	PCR — Performance Control	MAPEN	07h	Table 3-11 on page 50
B0h	R/W	SMHR0 — SMM Header Address 0	MAPEN	xxh	Table 3-11 on page 50
B1h	R/W	SMHR1 — SMM Header Address 1	MAPEN	xxh	Table 3-11 on page 50
B2h	R/W	SMHR2 — SMM Header Address 2	MAPEN	xxh	Table 3-11 on page 50
B3h	R/W	SMHR3 — SMM Header Address 3	MAPEN	xxh	Table 3-11 on page 50
B8h	R/W	GCR — Graphics Control Register	MAPEN	00h	Table 4-1 on page 92
B9h		VGACTL — VGA Control Register	--	00h	Table 5-5 on page 173
BAh- BDh		VGAM0 — VGA Mask Register	--	00h	Table 5-5 on page 173
CDh	R/W	SMAR0 — SMM Address 0	SMI_LOCK	00h	Table 3-11 on page 51
CEh	R/W	SMAR1 — SMM Address 1	SMI_LOCK	00h	Table 3-11 on page 51
CFh	R/W	SMAR2 — SMM Address 2	SMI_LOCK	00h	Table 3-11 on page 51
FEh	RO	DIR0 — Device ID 0	--	4xh	Table 3-11 on page 51
FFh	RO	DIR1 — Device ID 1	--	xxh	Table 3-11 on page 51

Note: *MAPEN = Index C3h[4] (CCR3) and SMI_LOCK = Index C3h[0] (CCR3).

Processor Programming (Continued)

Table 3-10. Configuration Register Map

Register (Index)	Bit 7	Bit 6	Bit 5	Bit 4	Bit 3	Bit 2	Bit 1	Bit 0	
Control Registers									
CCR1 (C1h)	RSVD					SMAC	USE_SMI	RSVD	
CCR2 (C2h)	USE_SUSP	RSVD			WT1	SUSP_HLT	LOCK_NW	RSVD	
CCR3 (C3h)	LSS_34	LSS_23	LSS_12	MAPEN	RSVD		NMI_EN	SMI_LOCK	
CCR4 (E8h)	CPUID	SMI_NEST	RSVD	DTE_EN	MEM_BYP	IORT2	IORT1	IORT0	
CCR7 (EBh)	RSVD					NMI	RSVD	EMMX	
PCR (20h)	LSSER	RSVD							
Device ID Registers									
DIR0 (FEh)	DID3	DID2	DID1	DID0	RSVD	CLKMODE1	RSVD	CLMODE0	
DIR1 (FFh)	SID3	SID2	SID1	SID0	RID3	RID2	RID1	RID0	
SMM Base Header Address Registers									
SMAR0 (CDh)	A31	A30	A29	A28	A27	A26	A25	A24	
SMAR1 (CEh)	A23	A22	A21	A20	A19	A18	A17	A16	
SMAR2 (CFh)	A15	A14	A13	A12	SIZE3	SIZE2	SIZE1	SIZE0	
SMHR0 (B0h)	A7	A6	A5	A4	A3	A2	A1	A0	
SMHR1 (B1h)	A15	A14	A13	A12	A11	A10	A9	A8	
SMHR2 (B2h)	A23	A22	A21	A20	A19	A18	A17	A16	
SMHR3 (B3h)	A31	A30	A29	A28	A27	A26	A25	A24	
Graphics/VGA Related Registers									
GCR (B8h)	RSVD				Scratchpad Size		Base Address Code		
VGACTL (B9h)	RSVD					Enable SMI for VGA memory B8000h to BFFFFh	Enable SMI for VGA memory B0000h to B7FFFh	Enable SMI for VGA memory A0000h to AFFFFh	
VGAM0 (BAh)	VGA Mask Register Bits [7:0]								
VGAM1 (BBh)	VGA Mask Register Bits [15:8]								
VGAM2 (BCh)	VGA Mask Register Bits [23:16]								
VGAM3 (BDh)	VGA Mask Register Bits [31:24]								

Processor Programming (Continued)

Table 3-11. Configuration Registers (Continued)

Bit	Name	Description
Index	SMHR Bits	SMM Header Address Bits [A31:0]: SMHR address bits [31:0] contain the physical base address for the SMM header space. For example, bits [31:24] correspond with Index B3h Refer to Section 3.11.4 "SMM Configuration Registers" on page 80 for more information.
B3h	A[31:24]	
B2h	A[23:16]	
B1h	A[15:12]	
B0h	A[7:0]	
Note: MAPEN (CCR3[4]) must = 1 to read or write to this register.		
Index CDh, CEh, CFh		SMAR — SMM Address Region/Size Register (R/W)
		Default Value = 00h
Index	SMAR Bits	SMM Address Region Bits [A31:A12]: SMAR address bits [31:12] contain the base address for the SMM region. Bits [31:24] correspond with Index CDh Bits [23:16] correspond with Index CEh Bits [15:12] correspond with Index CFh[7:4] Index CFh allows simultaneous access to SMAR address regions bits SMAR[15:12] and size code bits SIZE[3:0]. During access, the upper 4-bits of Port 23h hold SMAR[15:12]. Refer to Section 3.11.4 "SMM Configuration Registers" on page 80 for more information.
CDh	A[31:24]	
CEh CFh[7:4]	A[23:16] A[15:12]	
CFh[3:0]	SIZE[3:0]	SMM Region Size Bits [3:0]: SIZE bits contain the size code for the SMM region. During access the lower 4-bits of port 23 hold SIZE[3:0]. Index CFh allows simultaneous access to SMAR address regions bits SMAR[15:12] (see above) and size code bits. 0000 = SMM Disabled 0100 = 32 KB 1000 = 512 KB 1100 = 8 MB 0001 = 4 KB 0101 = 64 KB 1001 = 1 MB 1101 = 16 MB 0010 = 8 KB 0110 = 128 KB 1010 = 2 MB 1110 = 32 MB 0011 = 16 KB 0111 = 256 KB 1011 = 4 MB 1111 = 4 KB (same as 0001)
Note: SMI_LOCK (CCR3[0]) must = 0, or the CPU must be in SMI mode, to write these registers/bits.		
Index FEh		DIR0 — Device Identification Register 0 (RO)
		Default Value = 4xh
7:4	DID[3:0]	Device ID (Read Only): Identifies device as GXm processor.
3:0	MULT[3:0]	Core Multiplier (Read Only) — Identifies the core multiplier set by the CLKMODE[2:0] pins (see signal descriptions page 21) If DIR1 (Index FFh) is 30h-4Fh then MULT[3:0]: 0000 = SYSCLK multiplied by 4 (Test mode only) 0001 = SYSCLK multiplied by 6 0010 = SYSCLK multiplied by 4 (Test mode only) 0011 = SYSCLK multiplied by 6 0100 = SYSCLK multiplied by 7 0101 = SYSCLK multiplied by 8 0110 = SYSCLK multiplied by 7 0111 = SYSCLK multiplied by 5 1xxx = Reserved If DIR1 (Index FFh) is 50h or greater then MULT[3:0]: 0000 = SYSCLK multiplied by 4 (Test mode only) 0001 = SYSCLK multiplied by 10 0010 = SYSCLK multiplied by 4 (Test mode only) 0011 = SYSCLK multiplied by 6 0100 = SYSCLK multiplied by 9 0101 = SYSCLK multiplied by 5 0110 = SYSCLK multiplied by 7 0111 = SYSCLK multiplied by 8 1xxx = Reserved
Index FFh		DIR1 -- Device Identification Register 1 (RO)
		Default Value = xxh
7:0	DIR1	Device Identification Revision (Read Only) — DIR1 indicates device revision number. If DIR1 is 30h-33h = GXm processor revision 1.0 - 2.3 If DIR1 is 34h-4Fh = GXm processor revision 2.4 - 3.x If DIR1 is 50h or greater = GXm processor revision 5.0 - 5.4..

Processor Programming (Continued)

3.3.2.3 Debug Registers

Six debug registers (DR0-DR3, DR6 and DR7) support debugging on the GXm processor. Memory addresses loaded in the debug registers, referred to as “breakpoints,” generate a debug exception when a memory access of the specified type occurs to the specified address. A breakpoint can be specified for a particular kind of memory access such as a read or write operation. Code and data breakpoints can also be set allowing debug exceptions to occur whenever a given data access (read or write operation) or code access (execute) occurs. The size of the debug target can be set to 1, 2, or 4 bytes. The debug registers are accessed through MOV instructions that can be executed only at privilege level 0 (real mode is always privilege level 0).

The Debug Address Registers (DR0-DR3) each contain the linear address for one of four possible breakpoints. Each breakpoint is further specified by bits in the Debug Control Register (DR7). For each breakpoint address in DR0-DR3, there are corresponding fields L, R/W, and LEN in DR7 that specify the type of memory access associated with the breakpoint.

The R/W field can be used to specify instruction execution as well as data access breakpoints. Instruction execution breakpoints are always taken before execution of the instruction that matches the breakpoint. The Debug Registers are mapped in Table 3-12

Table 3-12. Debug Registers

31	30	29	28	27	26	25	24	23	22	21	20	19	18	17	16	15	14	13	12	11	10	9	8	7	6	5	4	3	2	1	0						
DR7 Register																Debug Control Register 7 (R/W)																					
LEN3			R/W3			LEN2			R/W2			LEN1			R/W1			LEN0		R/W0		0	0	G	0	0	1	0	0	G	L	G	L	G	L	G	L0
DR6 Register																Debug Status Register 6 (RO)																					
0	0	0	0	0	0	0	0	0	0	0	0	0	0	0	0	B	B	0	1	1	1	1	1	1	1	1	1	1	1	1	1	B3	B2	B1	B0		
DR3 Register'																Debug Address Register 3 (R/W)																					
Breakpoint 3 Linear Address																																					
DR2 Register																Debug Address Register 2 (R/W)																					
Breakpoint 2 Linear Address																																					
DR1 Register																Debug Address Register 1 (R/W)																					
Breakpoint 1 Linear Address																																					
DR0 Register																Debug Address Register 0 (R/W)																					
Breakpoint 0 Linear Address																																					
Note: All bits marked as 0 or 1 are reserved and should not be modified.																																					

Processor Programming (Continued)

The Debug Status Register (DR6) reflects conditions that were in effect at the time the debug exception occurred. The contents of the DR6 register are not automatically cleared by the processor after a debug exception occurs, and therefore should be cleared by software at the appropriate time. Table 3-13 lists the field definitions for the DR6 and DR7 registers.

Code execution breakpoints may also be generated by placing the breakpoint instruction (INT3) at the location where control is to be regained. The single-step feature may be enabled by setting the TF flag (bit 8) in the EFLAGS register. This causes the processor to perform a debug exception after the execution of every instruction. Debug Registers 6 and 7 are shown in Table 3-13.

Table 3-13. DR7 and DR6 Bit Definitions

Field(s)	Number of Bits	Description
DR7 Register		Debug Control Register 7 (R/W)
R/Wn	2	Applies to the DRn breakpoint address register: 00 = Break on instruction execution only 01 = Break on data write operations only 10 = Not used 11 = Break on data reads or write operations.
LENn	2	Applies to the DRn breakpoint address register: 00 = One-byte length 01 = Two-byte length 10 = Not used 11 = Four-byte length.
Gn	1	If = 1: breakpoint in DRn is globally enabled for all tasks and is not cleared by the processor as the result of a task switch.
Ln	1	If = 1: breakpoint in DRn is locally enabled for the current task and is cleared by the processor as the result of a task switch.
GD	1	Global disable of debug register access. GD bit is cleared whenever a debug exception occurs.
DR6 Register		Debug Status Register 6 (RO)
Bn	1	Bn is set by the processor if the conditions described by DRn, R/Wn, and LENn occurred when the debug exception occurred, even if the breakpoint is not enabled via the Gn or Ln bits.
BT	1	BT is set by the processor before entering the debug handler if a task switch has occurred to a task with the T bit in the TSS set.
BS	1	BS is set by the processor if the debug exception was triggered by the single-step execution mode (TF flag, bit 8, in EFLAGS set).
Note: n = 0, 1, 2, and 3		

Processor Programming (Continued)

3.3.2.4 Test Registers

The five test registers are used in testing the processor's Translation Lookaside Buffer (TLB) and on-chip cache. TR6 and TR7 are used for TLB testing, and TR3-TR5 are used for cache testing. Table 3-14 is a register map for the Test Registers with their bit definitions given in Tables 3-15 and 3-17.

TLB Test Registers

The processor's TLB is a 32-entry, four-way set associative memory. Each TLB entry consists of a 24-bit tag and 20-bit data. The 24-bit tag represents the high-order 20 bits of the linear address, a valid bit, and three attribute bits. The 20-bit data portion represents the upper 20 bits of the physical address that corresponds to the linear address.

The TLB Test Data Register (TR7) contains the upper 20 bits of the physical address (TLB data field), three LRU bits and a control bit. During TLB write operations, the physical address in TR7 is written into the TLB entry selected by the contents of TR6. During TLB lookup operations, the TLB data selected by the contents of TR6 is loaded into TR7. Table 3-15 lists the bit definitions for TR7 and TR6.

The TLB Test Control Register (TR6) contains a command bit, the upper 20 bits of a linear address, a valid bit and the attribute bits used in the test operation. The contents of TR6 are used to create the 24-bit TLB tag during both write and read (TLB lookup) test operations. The command bit defines whether the test operation is a read or a write.

Table 3-14. TLB Test Registers

31	30	29	28	27	26	25	24	23	22	21	20	19	18	17	16	15	14	13	12	11	10	9	8	7	6	5	4	3	2	1	0
TR7 Register																TLB Test Data Register (R/W)															
Physical Address																0	0	TLB LRU			0	0	PL	REP	0	0					
TR6 Register																TLB Test Control Register (R/W)															
Linear Address																V	D	D#	U	U#	R	R#	0	0	0	0	C				

Processor Programming (Continued)

Table 3-15. TR7-TR6 Bit Definitions

Bit	Name	Description										
TR7 Register TLB Test Data Register (R/W)												
31:12	Physical Address	Physical Address: TLB lookup: Data field from the TLB. TLB write: Data field written into the TLB.										
11:10	RSVD	Reserved: Set to 0.										
9:7	TLB LRU	LRU Bits: TLB lookup: LRU bits associated with the TLB entry before the TLB lookup. TLB write: Ignored.										
4	PL	PL Bit: TLB lookup: If PL = 1, read hit occurred. If PL = 0, read miss occurred. TLB write: If PL = 1, REP field is used to select the set. If PL = 0, the pseudo-LRU replacement algorithm is used to select the set.										
3:2	REP	Set Selection: TLB lookup: If PL = 1, this field indicates the set in which the tag was found. If PL = 0, undefined data. TLB write: If PL = 1, this field selects one of the four sets for replacement. If PL = 0, ignored.										
1:0	RSVD	Reserved: Set to 0.										
TR6 Register TLB Test Control Register (R/W)												
31:12	Linear Address	Linear Address: TLB lookup: The TLB is interrogated per this address. If one and only one match occurs in the TLB, the rest of the fields in TR6 and TR7 are updated per the matching TLB entry. TLB write: A TLB entry is allocated to this linear address.										
11	V	Valid Bit: TLB write: If V = 1, the TLB entry contains valid data. If V = 0, target entry is invalidated.										
10:9 8:7 6:5	D, D# U, U# R, R#	Dirty Attribute Bit and its Complement (D, D#) User/Supervisor Attribute Bit and its Complement (U, U#) Read/Write Attribute Bit and its Complement (R, R#) <table style="width: 100%; border: none;"> <thead> <tr> <th style="text-align: left;">Effect on TLB Lookup</th> <th style="text-align: left;">Effect on TLB Write</th> </tr> </thead> <tbody> <tr> <td>00 = Do not match</td> <td>Undefined</td> </tr> <tr> <td>01 = Match if D, U, or R bit is a 0</td> <td>Clear the bit</td> </tr> <tr> <td>10 = Match if D, U, or R bit is a 1</td> <td>Set the bit</td> </tr> <tr> <td>11 = Match if D, U, or R bit is either a 1 or 0</td> <td>Undefined</td> </tr> </tbody> </table>	Effect on TLB Lookup	Effect on TLB Write	00 = Do not match	Undefined	01 = Match if D, U, or R bit is a 0	Clear the bit	10 = Match if D, U, or R bit is a 1	Set the bit	11 = Match if D, U, or R bit is either a 1 or 0	Undefined
Effect on TLB Lookup	Effect on TLB Write											
00 = Do not match	Undefined											
01 = Match if D, U, or R bit is a 0	Clear the bit											
10 = Match if D, U, or R bit is a 1	Set the bit											
11 = Match if D, U, or R bit is either a 1 or 0	Undefined											
4:1	RSVD	Reserved: Set to 0.										
0	C	Command Bit: If C = 1: TLB lookup. If C = 0: TLB write.										

Processor Programming (Continued)

Cache Test Registers

The processor's 16 KB on-chip cache is a four-way set associative memory that is configured as write-back cache. Each cache set contains 256 entries. Each entry consists of a 20-bit tag address, a 16-byte data field, a valid bit, and four dirty bits.

The 20-bit tag represents the high-order 20 bits of the physical address. The 16-byte data represents the 16 bytes of data currently in memory at the physical address represented by the tag. The valid bit indicates whether the data bytes in the cache actually contain valid data. The four dirty bits indicate if the data bytes in the cache have been modified internally without updating external memory (write-back configuration). Each dirty bit indicates the

status for one double-word (4 bytes) within the 16-byte data field.

For each line in the cache, there are three LRU bits that indicate which of the four sets was most recently accessed. A line is selected using bits [11:4] of the physical address. Figure 3-1 illustrates the CPU cache architecture.

The CPU contains three test registers (TR5-TR3) that allow testing of its internal cache. Bit definitions for the cache test registers are shown in Table 3-17. Using a 16-byte cache fill buffer and a 16-byte cache flush buffer, cache reads and writes may be performed.

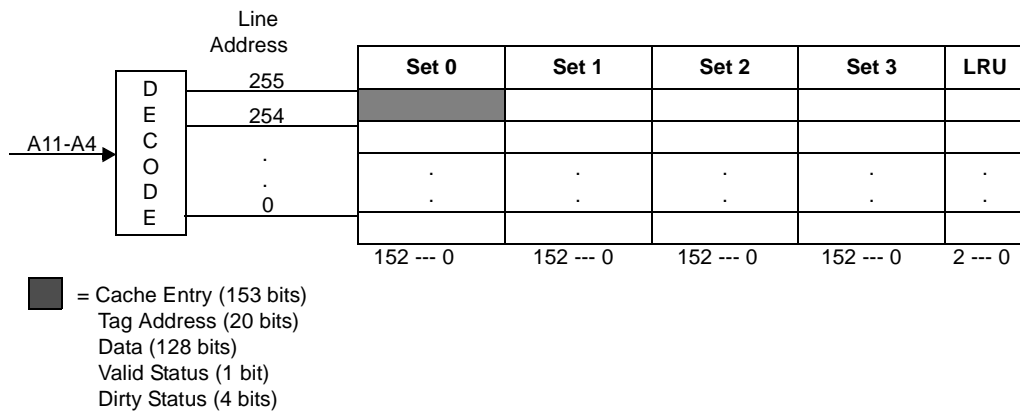


Figure 3-1. CPU Cache Architecture

Table 3-16. Cache Test Registers

31	30	29	28	27	26	25	24	23	22	21	20	19	18	17	16	15	14	13	12	11	10	9	8	7	6	5	4	3	2	1	0
TR5 Register (R/W)																															
RSVD																Line Selection						Set/ DWORD		Control Bits							
TR4 Register (R/W)																															
Cache Tag Address										0	Valid	LRU Bits				Dirty Bits				0	0	0									
TR3 Register (R/W)																															
Cache Data																															

Processor Programming (Continued)

Table 3-17. TR5-TR3 Bit Definitions

Bit	Name	Description
TR5 Register (R/W)		
11:4	Line Selection	Line Selection: Physical address bits 11-4 used to select one of 256 lines.
3:2	Set/DWORD	Set/DWord Selection: Cache read: Selects which of the four sets in the cache is used as the source for data transferred to the cache flush buffer. Cache write: Selects which of the four sets in the cache is used as the destination for data transferred from the cache fill buffer. Flush buffer read: Selects which of the four Dword in the flush buffer is used during a TR3 read. Fill buffer write: Selects which of the four Dword in the fill buffer is written during a TR3 write.
1:0	Control Bits	Control Bits: If = 00: flush read or fill buffer write. If = 01: cache write. If = 10: cache read. If = 11: cache flush.
TR4 Register (R/W)		
31:12	Upper Tag Address	Upper Tag Address: Cache read: Upper 20 bits of tag address of the selected entry. Cache write: Data written into the upper 20 bits of the tag address of the selected entry.
10	Valid Bit	Valid Bit: Cache read: Valid bit for the selected entry. Cache write: Data written into the valid bit for the selected entry.
9:7	LRU Bits	LRU Bits: Cache read: The LRU bits for the selected line. xx1 = Set 0 or Set 1 most recently accessed. xx0 = Set 2 or Set 3 most recently accessed. x1x = Most recent access to Set 0 or Set 1 was to Set 0. x0x = Most recent access to Set 0 or Set 1 was to Set 1. 1xx = Most recent access to Set 2 or Set 3 was to Set 2. 0xx = Most recent access to Set 2 or Set 3 was to Set 3. Cache write: Ignored.
6:3	Dirty Bits	Dirty Bits: Cache read: The dirty bits for the selected entry (one bit per DWord). Cache write: Data written into the dirty bits for the selected entry.
2:0	RSVD	Reserved: Set to 0.
TR3 Register (R/W)		
31:0	Cache Data	Cache Data: Flush buffer read: Data accessed from the cache flush buffer. Fill buffer write: Data to be written into the cache fill buffer.

Processor Programming (Continued)

There are five types of test operations that can be executed:

- Flush buffer read
- Fill buffer write
- Cache write
- Cache read
- Cache flush

These operations are described in detail in Table 3-18. To fill a cache line with data, the fill buffer must be written four

times. Once the fill buffer holds a complete cache line of data (16 bytes), a cache write operation transfers the data from the fill buffer to the cache.

To read the contents of a cache line, a cache read operation transfers the data in the selected cache line to the flush buffer. Once the flush buffer is loaded, the programmer accesses the contents of the flush buffer by executing four flush buffer read operations.

Table 3-18. Cache Test Operations

Test Operation	Code Sequence	Action Taken
Flush Buffer Read	MOV TR5, 0h MOV dest,TR3	Set DWORD = 0, control = 00 = flush buffer read. Flush buffer (31:0) --> dest.
	MOV TR5, 4h MOV dest,TR3	Set DWORD = 1, control = 00 = flush buffer read. Flush buffer (63:32) --> dest.
	MOV TR5, 8h MOV dest,TR3	Set DWORD = 2, control = 00 = flush buffer read. Flush buffer (95:64) --> dest.
	MOV TR5, Ch MOV dest,TR3	Set DWORD = 3, control = 00 = flush buffer read. Flush buffer (127:96) --> dest.
Fill Buffer Write	MOV TR5, 0h MOV TR3, cache_data	Set DWORD = 0, control = 00 = fill buffer write. Cache_data --> fill buffer (31:0).
	MOV TR5, 4h MOV TR3, cache_data	Set DWORD = 1, control = 00 = fill buffer write. Cache_data --> fill buffer (63:32).
	MOV TR5, 8h MOV TR3, cache_data	Set DWORD = 2, control = 00 = fill buffer write. Cache_data --> fill buffer (95:64).
	MOV TR5, Ch MOV TR3, cache_data	Set DWORD = 3, control = 00 = fill buffer write. Cache_data --> fill buffer (127:96).
Cache Write	MOV TR4, cache_tag	Cache_tag --> tag address, valid and dirty bits.
	MOV TR5, line+set+control=01	Fill buffer (127:0) --> cache line (127:0).
Cache Read	MOV TR5, line+set+control=10	Cache line (127:0) --> flush buffer (127:0).
	MOV dest, TR4	Cache line tag address, valid/LRU/dirty bits --> dest.
Cache Flush	MOV TR5, 3h	Control = 11 = cache flush, all cache valid bits = 0.

Processor Programming (Continued)

3.3.3 Model Specific Register Set

The Model Specific Register (MSR) Set is used to monitor the performance of the processor or a specific component within the processor.

A MSR can be read using the RDMSR instruction, opcode 0F32h. During a MSR read, the contents of the particular MSR, specified by the ECX Register, is loaded into the EDX:EAX Registers.

A MSR can be written using the WRMSR instruction, opcode 0F30h. During a MSR write, the contents of EX:EAX are loaded into the MSR specified in the ECX Register.

The RDMSR and WRMSR instructions are privileged instructions.

The GXm processor contains one 64-bit Model Specific Register (MSR10) the Time Stamp Counter (TSC).

3.3.4 Time Stamp Counter

The processor contains a model specific register (MSR) called the Time Stamp Counter (TSC). The TSC, (MSR[10]), is a 64-bit counter that counts the internal CPU clock cycles since the last reset. The TSC uses a continuous CPU core clock and will continue to count clock cycles even when the processor is in suspend or shutdown mode.

The TSC is read using a RDMSR instruction, opcode 0F 32h, with the ECX register set to 10h. During a TSC read, the contents of the TSC is loaded into the EDX:EAX registers.

The TSC is written to using a WRMSR instruction, opcode 0F 30h with the ECX register set to 10h. During a TSC write, the contents of EX:EAX are loaded into the TSC.

The RDMSR and WRMSR instructions are privileged instructions.

In addition, the TSC can be read using the RDTSC instruction, opcode 0F 31h. The RDTSC instruction loads the contents of the TSC into EDX:EAX. The use of the RDTSC instruction is restricted by the TSC flag (bit 2) in the CR4 register (refer to Tables 3-6 and 3-7 on pages 45 and 46 for CR4 register information). When the TSC bit = 0, the RDTSC instruction can be executed at any privilege level. When the TSC bit = 1, the RDTSC instruction can only be executed at privilege level 0.

Processor Programming (Continued)

3.4 ADDRESS SPACES

The GXm processor can directly address either memory or I/O space. Figure 3-2 illustrates the range of addresses available for memory address space and I/O address space. For the CPU, the addresses for physical memory range between 00000000h and FFFFFFFFh (4 GBytes). The accessible I/O addresses space ranges between 00000000h and 0000FFFFh (64 KB). The CPU does not use coprocessor communication space in upper I/O space between 800000F8h and 800000FFh as do the 386-style CPUs. The I/O locations 22h and 23h are used for GXm processor configuration register access.

3.4.1 I/O Address Space

The CPU I/O address space is accessed using IN and OUT instructions to addresses referred to as “ports.” The accessible I/O address space is 64 KB and can be accessed as 8-bit, 16-bit or 32-bit ports.

The GXm processor configuration registers reside within the I/O address space at port addresses 22h and 23h and are accessed using the standard IN and OUT instructions.

The configuration registers are modified by writing the index of the configuration register to port 22h, and then transferring the data through port 23h. Accesses to the on-chip configuration registers do not generate external I/O cycles. However, each operation on port 23h must be preceded by a write to port 22h with a valid index value. Otherwise, subsequent port 23h operations will communicate through the I/O port to produce external I/O cycles without modifying the on-chip configuration registers. Write operations to port 22h outside of the CPU index range (C0h-CFh and FEh-FFh) result in external I/O cycles and do not affect the on-chip configuration registers. Reading port 22h generates external I/O cycles.

I/O accesses to port address range 3B0h through 3DFh can be trapped to SMI by the CPU if this option is enabled in the BC_XMAP_1 register (see SMIB, SMIC, and SMID bits in Table 4-10 on page 101). Figure 3-2 illustrates the I/O address space.

3.4.2 Memory Address Space

The processor directly addresses up to 4 GB of physical memory even though the memory controller addresses only 1 GB of DRAM. Memory address space is accessed as bytes, words (16 bits) or DWORDs (32 bits). Words and DWORDs are stored in consecutive memory bytes with the low-order byte located in the lowest address. The physical address of a word or DWORD is the byte address of the low-order byte.

The processor allows memory to be addressed using nine different addressing modes. These addressing modes are used to calculate an offset address, often referred to as an effective address. Depending on the operating mode of the CPU, the offset is then combined, using memory management mechanisms, into a physical address that is applied to the physical memory devices.

Memory management mechanisms consist of segmentation and paging. Segmentation allows each program to use several independent, protected address spaces. Paging translates a logical address into a physical address using translation lookup tables. Virtual memory is often implemented using paging. Either or both of these mechanisms can be used for management of the GXm processor memory address space.

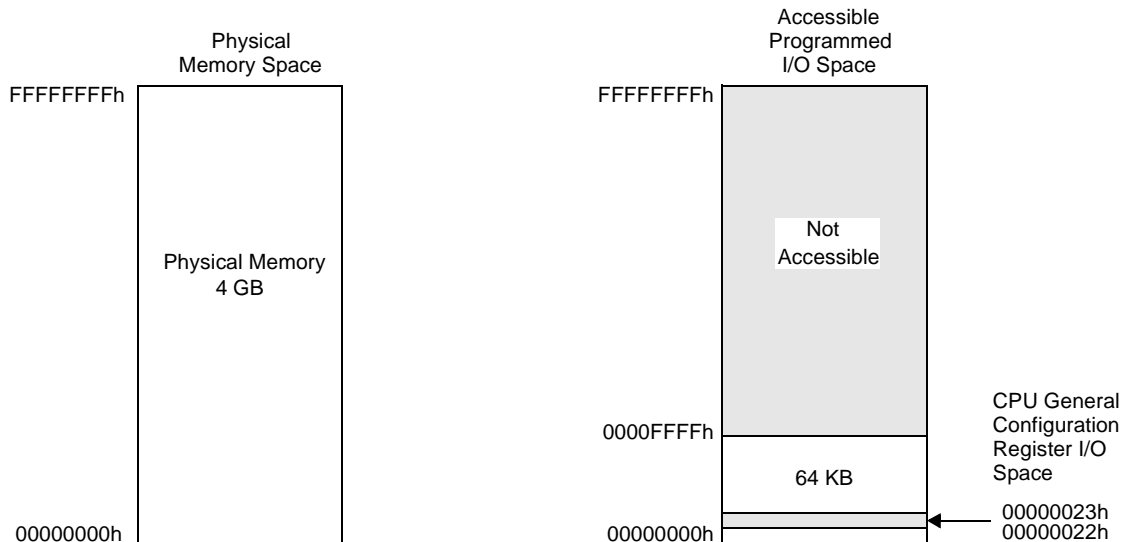


Figure 3-2. Memory and I/O Address Spaces

Processor Programming (Continued)

3.5 OFFSET, SEGMENT, AND PAGING MECHANISMS

The mapping of address space into a sequence of memory locations (often cached) is performed by the offset, segment and paging mechanisms.

In general, the offset, segment and paging mechanisms work in tandem as shown below:

instruction offset \Rightarrow *offset mechanism* \Rightarrow offset address
 offset address \Rightarrow *segment mechanism* \Rightarrow linear address
 linear address \Rightarrow *paging mechanism* \Rightarrow physical page.

As will be explained, the actual operations depend on several factors such as the current operating mode and if paging is enabled. Note: the paging mechanism uses part of the linear address as an offset on the physical page.

3.6 OFFSET MECHANISM

In all operating modes, the offset mechanism computes an offset (effective) address by adding together up to three values: a base, an index and a displacement. The base, if present, is the value in one of eight general registers at the time of the execution of the instruction. The index, like the base, is a value that is contained in one of the general registers (except the ESP register) when the instruction is executed. The index differs from the base in that the index is first multiplied by a scale factor of 1, 2, 4 or 8 before the summation is made. The third component added to the memory address calculation is the displacement that is a value supplied as part of the instruction. Figure 3-3 illustrates the calculation of the offset address.

Nine valid combinations of the base, index, scale factor and displacement can be used with the CPU instruction set. These combinations are listed in Table 3-19 on page 61. The base and index both refer to contents of a register as indicated by [Base] and [Index].

In real mode operation, the CPU only addresses the lowest 1 MB of memory and the offset contains 16-bits. In protective mode the offset contains 32 bits. Initialization and transition to protective mode is described in Section 3.13.4 “Initialization and Transition to Protected Mode” on page 87.

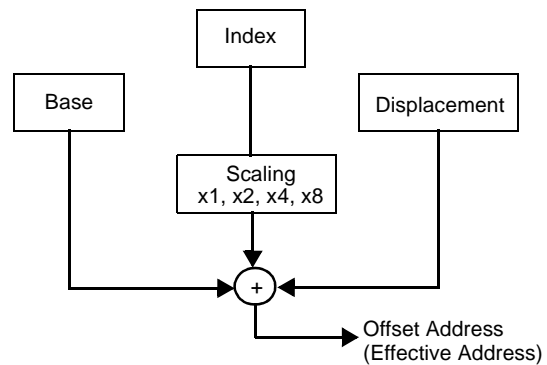


Figure 3-3. Offset Address Calculation

Table 3-19. Memory Addressing Modes

Addressing Mode	Base	Index	Scale Factor (SF)	Displacement (DP)	Offset Address (OA) Calculation
Direct				x	OA = DP
Register Indirect	x				OA = [BASE]
Based	x			x	OA = [BASE] + DP
Index		x		x	OA = [INDEX] + DP
Scaled Index		x	x	x	OA = ([INDEX] * SF) + DP
Based Index	x	x			OA = [BASE] + [INDEX]
Based Scaled Index	x	x	x		OA = [BASE] + ([INDEX] * SF)
Based Index with Displacement	x	x		x	OA = [BASE] + [INDEX] + DP
Based Scaled Index with Displacement	x	x	x	x	OA = [BASE] + ([INDEX] * SF) + DP

Processor Programming (Continued)

3.7 DESCRIPTORS AND SEGMENT MECHANISMS

Memory is divided into contiguous regions called “segments.” The segments allow the partitioning of individual elements of a program. Each segment provides a zero address-based private memory for such elements as code, data and stack space.

The segment mechanisms select a segment in memory. Memory is divided into an arbitrary number of segments, each containing usually much less than the 2^{32} byte (4 GByte) maximum.

There are two segment mechanisms, one for Real and Virtual 8086 Operating Modes, and one for Protective Mode.

3.7.1 Real and Virtual 8086 Mode Segment Mechanisms

Real Mode Segment Mechanism

In real mode operation, the CPU addresses only the lowest 1 MB of memory. In this mode a selector located in one of the segment registers is used to locate a segment.

To calculate a physical memory address, the 16-bit segment base address located in the selected segment register is multiplied by 16 and then a 16-bit offset address is added. The resulting 20-bit address is then extended with twelve zeros in the upper address bits to create 32-bit physical address.

The value of the selector (the INDEX field) is multiplied by 16 to produce a base address (Figure 3-4.) The base address is summed with the instruction offset value to produce a physical address.

Virtual 8086 Mode Segment Mechanism

In Virtual 8086 mode the operation is performed as in real mode except that a paging mechanism is added. When paging is enabled, the paging mechanism translates the linear address into a physical address using cached look-up tables (refer to Section 3.9 “Paging Mechanism” on page 72).

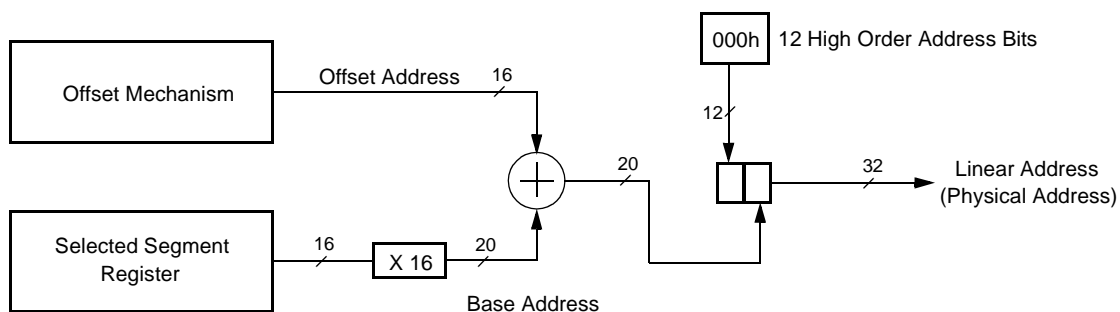


Figure 3-4. Real Mode Address Calculation

Processor Programming (Continued)

3.7.2 Segment Mechanism in Protective Mode

The segment mechanism in protective mode is more complex. Basically as in Real and Virtual 8086 modes the offset address is added to the segment base address to produce a linear address (Figure 3-5). However, the calculation of the segment base address is based on the contents of descriptor tables.

Again, if paging is enabled the linear address is further processed by the paging mechanism.

A more detailed look at the segment mechanisms for real, virtual 8086 and protective modes is illustrated in Figure 3-6. In protective mode, the segment selector is cached. This is illustrated in Figure 3-7 on page 65.

3.7.2.1 Segment Selectors

The segment registers are used to store segment selectors. In protective mode, the segment selectors are

divided in to three fields: the RPL, TI and INDEX fields as shown in Figure 3-6.

The segments are assigned permission levels to prevent application program errors from disrupting operating programs. The Requested Privilege Level (RPL) determines the Effective Privilege Level of an instruction. RPL = 0 indicates the most privileged level, and RPL = 3 indicates the least privileged level. Refer to Section 3.13 “Protection” on page 86.

Descriptor tables hold descriptors that allow management of segments and tables in address space while in protective mode. The Table Indicator Bit (TI) in the selector selects either the General Descriptor Table (GDT) or one Local Descriptor Tables (LDT) tables. If TI = 0, GDT is selected; if TI = 1, LDT is selected. The 13-bit INDEX field in the segment selector is used to index a GDT or LDT table.

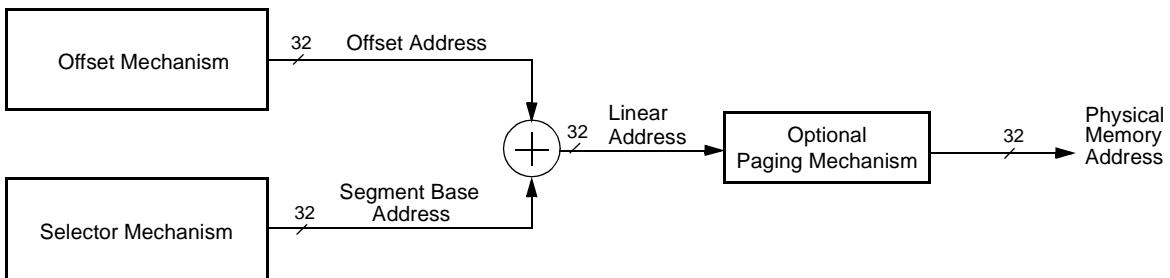
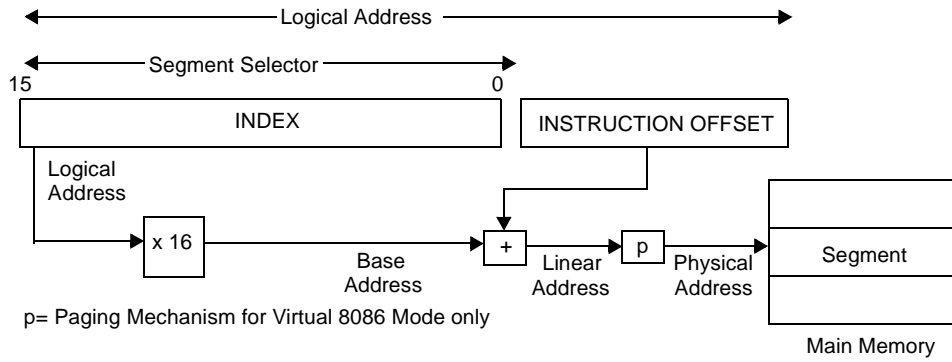
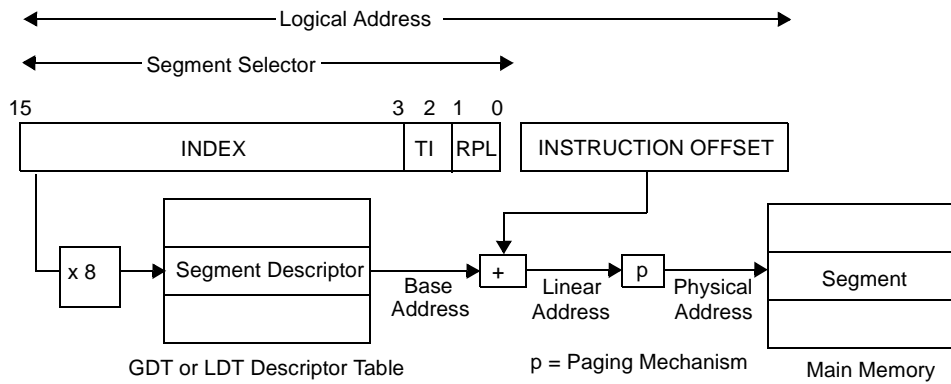


Figure 3-5. Protected Mode Address Calculation

Processor Programming (Continued)



Real and Virtual 8086 Modes



Protective Mode

Figure 3-6. Selector Mechanisms

Processor Programming (Continued)

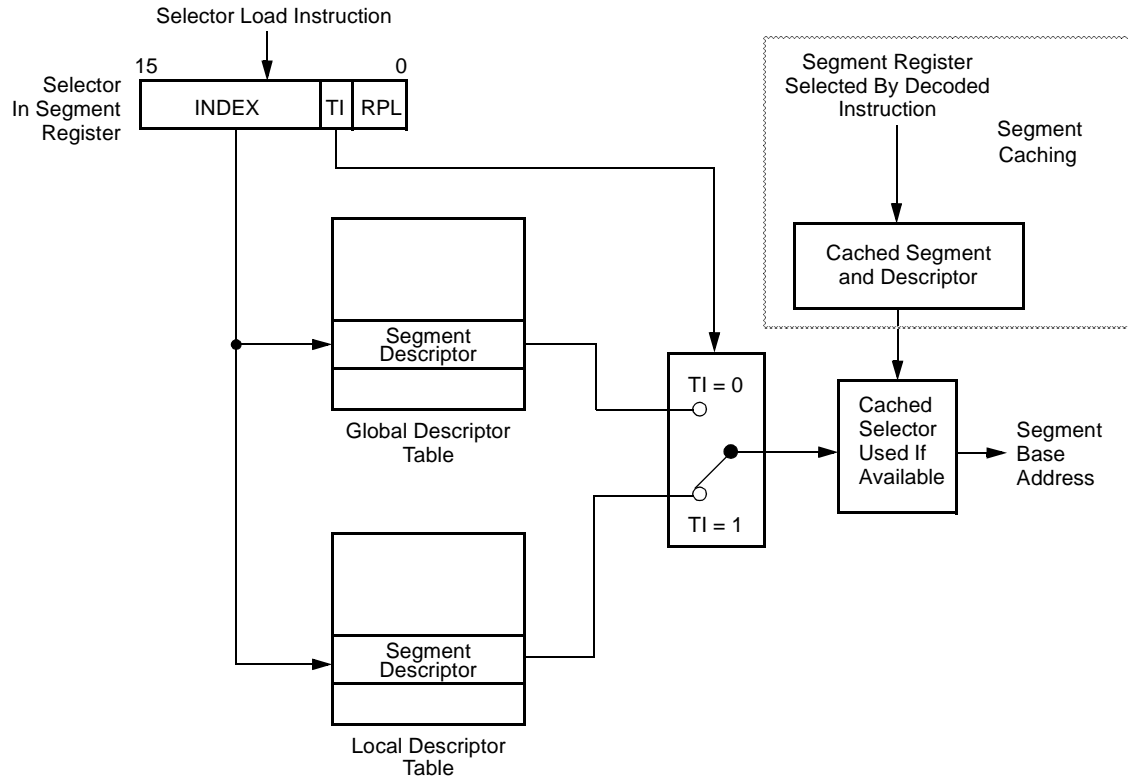


Figure 3-7. Selector Mechanism Caching

Processor Programming (Continued)

3.7.3 GDTR and LDTR Registers

The GDT, and LDT descriptor tables are defined by the Global Descriptor Table Register (GDTR) and the Local Descriptor Table Register (LDTR) respectively. Some texts refer to these registers as GDT, and LDT descriptors.

The following instructions are used in conjunction with the GDT and LDT registers:

- LGDT - Load memory to GDTR
- LLDT - Load memory to LDTR
- SGDT - Store GDTR to memory
- SLDT - Store LDTR to memory

The GDTR is set up in REAL mode using the LGDT instruction. This is possible as the LGDT instruction is one of two instructions that directly load a linear address (instead of a segment relative address) in protective mode. (The other instruction is the Load Interrupt Descriptor Table [LIDT]).

As shown in Table 3-20, the GDT registers contain a BASE ADDRESS field and a LIMIT field that define the GDT tables. (The IDTR is described in Section 3.7.3.2 “Task, Gate and Interrupt Descriptors” on page 67.)

Also shown in Table 3-20, the LDTR is only two bytes wide as it contains only a SELECTOR field. The contents of the SELECTOR field point to a descriptor in the GDT.

3.7.3.1 Segment Descriptors

There are several types of descriptors. A segment descriptor defines the base address, limit and attributes of a memory segment.

The GDT or LDT can hold several types of descriptors. In particular, the segment descriptors are stored in either of two registers, the GDT, or the LDT as shown in Table 3-20). Either of these tables can store as many as 8,192 (2^{13}) eight-byte selectors taking as much as 64 KB of memory.

The first descriptor in the GDT (location 0) is not used by the CPU and is referred to as the “null descriptor.”

Types of Segment Descriptors

The type of memory segments are defined by corresponding types of segment descriptors:

- Code Segment Descriptors
- Data Segment Descriptors
- Stack Segment Descriptors
- LDT Segment Descriptors

Table 3-20. GDTR, LDTR and IDTR Registers

47	16	15	14	13	12	11	10	9	8	7	6	5	4	3	2	1	0
GDT Register																	
Global Descriptor Table Register																	
BASE									LIMIT								
IDT Register																	
Interrupt Descriptor Table Register																	
BASE									LIMIT								
LDT Register																	
Local Descriptor Table Register																	
									SELECTOR								

Processor Programming (Continued)

3.7.3.2 Task, Gate and Interrupt Descriptors

Besides segment descriptors there are descriptors used in task switching, switching between tasks with different priority and those used to control interrupt functions:

- Task State Segment Table Descriptors
- Gate Table Descriptors
- Interrupt Descriptors.

All descriptors have some things in common. They are all eight bytes in length and have three fields (BASE, LIMIT and TYPE). The BASE field defines the starting location for the table or segment. The LIMIT field defines the size and the TYPE field depends on the type of descriptor. One of the main functions of the TYPE field is to define the access rights to the associated segment or table.

Interrupt Descriptor Table

The Interrupt Descriptor Table is an array of 256 8-byte (4-byte for real mode) interrupt descriptors, each of which is used to point to an interrupt service routine. Every interrupt that may occur in the system must have an associated entry in the IDT. The contents of the IDTR are completely visible to the programmer through the use of the SIDT instruction.

The IDT descriptor table is defined by the Interrupt Descriptor Table Register (IDTR). Some texts refer to this register as an IDT descriptor.

The following instructions are used in conjunction with the IDTR registers:

- LIDT - Load memory to IDTR
- SIDT - Store IDTR to memory

The IDTR is set up in REAL mode using the LIDT instruction. This is possible as the LIDT instructions is only one of two instructions that directly load a linear address (instead of a segment relative address) in protective mode.

As previously shown in Table 3-20, the IDTR contains a BASE ADDRESS field and a LIMIT field that define the IDT tables.

3.7.4 Descriptor Bit Structure

The bit structure for application and system descriptors is shown in Table 3-21. The explanation of the TYPE field is shown in Table 3-23 on page 68.

Table 3-21. Application and System Segment Descriptors

31	31	29	28	27	26	25	24	23	22	21	20	19	18	17	16	15	14	13	12	11	10	9	8	7	6	5	4	3	2	1	0
Memory Offset +4																															
BASE[31:24]								G	D	0	A	V	L	LIMIT[19:16]				P	DPL	S	TYPE				BASE[23:16]						
Memory Offset +0																															
BASE[15:0]																LIMIT[15:0]															

Table 3-22. Application and System Segment Descriptors Bit Definitions

Bit	Memory Offset	Name	Description
31:24	+4	BASE	Segment Base Address: Three fields which collectively define the base location for the segment in 4 GB physical address space.
7:0	+4		
31:16	+0		
19:16	+4	LIMIT	Segment Limit: Two fields that define the size of the segment based on the Segment Limit Granularity Bit. If G = 1: Limit value interpreted in units of 4 KB. If G = 0: Limit value is interpreted in bytes.
15:0	+0		
23	+4	G	Segment Limit Granularity Bit: Defines LIMIT multiplier. If G = 1: Limit value interpreted in units of 4 KB. Segment size ranges from 1 byte to 1 MB. If G = 0: Limit value is interpreted in bytes. Segment size ranges from 4 KB to 4 GB.
22	+4	D	Default Length for Operands and Effective Addresses: If D = 1: Code segment = 32-bit length for operands and effective addresses If D = 0: Code segment = 16-bit length for operands and effective addresses If D = 1: Data segment = Pushes, calls and pop instructions use 32-bit ESP register If D = 0: Data segment = Stack operations use 16-bit SP register
20	+4	AVL	Segment Available: This field is available for use by system software.

Processor Programming (Continued)

Table 3-22. Application and System Segment Descriptors Bit Definitions (Continued)

Bit	Memory Offset	Name	Description
15	+4	P	Segment Present: If = 1: Segment is memory segment allocated. If = 0: The BASE and LIMIT fields become available for use by the system. Also, If = 0, a segment-not-present exception generated when selector for the descriptor is loaded into a segment register allowing virtual memory management.
14:13	+4	DPL	Descriptor Privilege Level: If = 00: Highest privilege level If = 11: Low privilege level
12	+4	S	Descriptor Type: If = 1: Code or data segment If = 0: System segment
11:8	+4	TYPE	Segment Type: Refer to Table 3-23 on page 68 for TYPE bit definitions. Bit 11 = Executable Bit 10 = Conforming if bit 12 = 1 Bit 10 = Expand Down if bit 12 = 0 Bit 9 = Readable, if Bit 12 = 1 Bit 9 = Writable, if Bit 12 = 0 Bit 8 = Accessed

Table 3-23. Application and System Segment Descriptors TYPE Bit Definitions

TYPE Bits [11:8]		System Segment and Gate Types Bit 12 = 0	Application Segment Types Bit 12 = 1	
Num	SEWA	TYPE (Data Segments)		
0	0000	Reserved	Data	Read-Only
1	0001	Available 16-Bit TSS	Data	Read-Only, accessed
2	0010	LDT	Data	Read/Write
3	0011	Busy 16-Bit TSS	Data	Read/Write accessed
4	0100	16-Bit Call Gate	Data	Read-Only, expand down
5	0101	Task Gate	Data	Read-Only, expand down, accessed
6	0110	16-Bit Interrupt Gate	Data	Read/Write, expand down
7	0111	16-Bit Trap Gate	Data	Read/Write, expand down, accessed
Num	SCRA	TYPE (Code Segments)		
8	1000	Reserved	Code	Execute-Only
9	1001	Available 32-Bit TSS	Code	Execute-Only, accessed
A	1010	Reserved	Code	Execute/Read
B	1011	Busy 32-Bit TSS	Code	Execute/Read, accessed
C	1100	32-Bit Call Gate	Code	Execute/Read, conforming
D	1101	Reserved	Code	Execute/Read, conforming, accessed
E	1110	32-Bit Interrupt Gate	Code	Execute/Read-Only, conforming
F	1111	32-Bit Trap Gate	Code	Execute/Read-Only, conforming accessed
S = Code Segment (not Data Segment) E = Expand Down W = Write Enable			A = Accessed C = Conforming Code Segment R = Read Enable	

Processor Programming (Continued)

3.7.5 Gate Descriptors

Four kinds of gate descriptors are used to provide protection during control transfers: call gates, trap gates, interrupt gates and task gates. (For more information on protection refer to Section 3.13 “Protection” on page 86.)

Call Gate Descriptor (CGD). Call gates are used to define legal entry points to a procedure with a higher privilege level. The call gates are used by CALL and JUMP instructions in much the same manner as code segment descriptors. When the CPU decodes an instruction and sees it refers to a call gate descriptor in the GDT table or a LDT table, the call gate is used to point to another descriptor in the table that defines the destination code segment.

The following privilege levels are tested during the transfer through the call gate:

- CPL = Current Privilege Level
- RPL = Segment Selector Field
- DPL = Descriptor Privilege Level in the call gate descriptor.
- DPL = Descriptor Privilege Level in the destination code segment.

The maximum value of the CPL and RPL must be equal or less than the gate DPL. For a JMP instruction the destination DPL equals the CPL. For a CALL instruction the destination DPL is less or equals the CPL.

Conforming Code Segments. Transfer to a procedure with a higher privilege level can also be accomplished by bypassing the use of call gates, if the requested procedure is to be executed in a conforming code segment. Conforming code segments have the C bit set in the TYPE field in their descriptor.

The bit structure and definitions for gate descriptors are shown in Tables 3-24 and Table 3-25 on page 69.

Table 3-24. Gate Descriptors

31	30	29	28	27	26	25	24	23	22	21	20	19	18	17	16	15	14	13	12	11	10	9	8	7	6	5	4	3	2	1	0								
Memory Offset +4																																							
OFFSET[31:16]																P	DPL	0	TYPE			0	0	0	PARAMETERS														
Memory Offset +0																																							
SELECTOR[15:0]																OFFSET[15:0]																							

Table 3-25. Gate Descriptors Bit Definitions

Bit	Memory Offset	Name	Description
31:16	+4	OFFSET	Offset: Offset used during a call gate to calculate the branch target.
15:0	+0		
31:16	+0	SELECTOR	Segment Selector
15	+4	P	Segment Present
14:13	+4	DPL	Descriptor Privilege Level
11:8	+4	TYPE	Segment Type: 0100 = 16-bit call gate 0101 = Task gate 0110 = 16-bit interrupt gate 0111 = 16-bit trap gate 1100 = 32-bit call gate 1110 = 32-bit interrupt gate 1111 = 32-bit trap gate
4:0	+4	PARAMETERS	Parameters: Number of parameters to copy from the caller's stack to the called procedure's stack.

Processor Programming (Continued)

3.8 MULTITASKING AND TASK STATE SEGMENTS

The CPU enables rapid task switching using JMP and CALL instructions that refer to Task State Segments (TSS). During a switch, the complete task state of the current task is stored in its TSS, and the task state of the requested task is loaded from its TSS. The TSSs are defined through special segment descriptors and gates.

The **Task Register (TR)** holds 16-bit descriptors that contain the base address and segment limit for each task state segment. The TR is loaded and stored via the LTR and STR instructions, respectively. The TR can only be accessed only during protected mode and can be loaded when the privilege level is 0 (most privileged). When the TR is loaded, the TR selector field indexes a TSS descriptor that must reside in the Global Descriptor Table (GDT).

Only the 16-bit selector of a TSS descriptor in the TR is accessible. The BASE, TSS LIMIT and ACCESS RIGHT fields are program invisible.

During task switching, the processor saves the current CPU state in the TSS before starting a new task. The TSS can be either a 386/486-type 32-bit TSS (see Table 3-26) or a 286-type 16-bit TSS (see Table 3-27 on page 71).

Task Gate Descriptors. A task gate descriptor provides controlled access to the descriptor for a task switch. The DPL of the task gate is used to control access. The selector's RPL and the CPL of the procedure must be a higher level (numerically less) than the DPL of the descriptor. The RPL in the task gate is not used.

The I/O Map Base Address field in the 32-bit TSS points to an I/O permission bit map that often follows the TSS at location +68h.

Table 3-26. 32-Bit Task State Segment (TSS) Table

31	16	15	0										
I/O Map Base Address		0 0 0 0 0 0 0 0 0 0 0 0 0 0 0 0 0 0										T	+64h
0 0 0 0 0 0 0 0 0 0 0 0 0 0 0 0		Selector for Task's LDT											+60h
0 0 0 0 0 0 0 0 0 0 0 0 0 0 0 0		GS											+5Ch
0 0 0 0 0 0 0 0 0 0 0 0 0 0 0 0		FS											+58h
0 0 0 0 0 0 0 0 0 0 0 0 0 0 0 0		DS											+54h
0 0 0 0 0 0 0 0 0 0 0 0 0 0 0 0		SS											+50h
0 0 0 0 0 0 0 0 0 0 0 0 0 0 0 0		CS											+4Ch
0 0 0 0 0 0 0 0 0 0 0 0 0 0 0 0		ES											+48h
		EDI											+44h
		ESI											+40h
		EBP											+3Ch
		ESP											+38h
		EBX											+34h
		EDX											+30h
		ECX											+2Ch
		EAX											+28h
		EFLAGS											+24h
		EIP											+20h
		CR3											+1Ch
0 0 0 0 0 0 0 0 0 0 0 0 0 0 0 0		SS for CPL = 2											+18h
		ESP for CPL = 2											+14h
0 0 0 0 0 0 0 0 0 0 0 0 0 0 0 0		SS for CPL = 1											+10h
		ESP for CPL = 1											+Ch
0 0 0 0 0 0 0 0 0 0 0 0 0 0 0 0		SS for CPL = 0											+8h
		ESP for CPL = 0											+4h
0 0 0 0 0 0 0 0 0 0 0 0 0 0 0 0		Back Link (Old TSS Selector)											+0h

Note: 0 = Reserved

Processor Programming (Continued)

Table 3-27. 16-Bit Task State Segment (TSS) Table

15	0	
		+2Ah
		+28h
		+26h
		+24h
		+22h
		+20h
		+1Eh
		+1Ch
		+1Ah
		+18h
		+16h
		+14h
		+12h
		+10h
		+Eh
		+Ch
		+Ah
		+8h
		+6h
		+4h
		+2h
		+0h

Processor Programming (Continued)

3.9 PAGING MECHANISM

The paging mechanism translates a linear address to its corresponding physical address. If the required page is not currently present in RAM, an exception is generated. When the operating system services the exception, the required page can be loaded into memory and the instruction restarted. Pages are either 4 KB or 1 MB in size. The CPU defaults to 4 KB pages that are aligned to 4 KB boundaries.

A page is addressed by using two levels of tables as illustrated in Figure 3-8. Bits[31:22] of the 32-bit linear address, the Directory Table Index (DTI) are used to

locate an entry in the page directory table. The page directory table acts as a 32-bit master index to up to 1 K individual second-level page tables. The selected entry in the page directory table, referred to as the directory table entry (DTE), identifies the starting address of the second-level page table. The page directory table itself is a page and is, therefore, aligned to a 4 KB boundary. The physical address of the current page directory table is stored in the CR3 control register, also referred to as the Page Directory Base Register (PDBR).

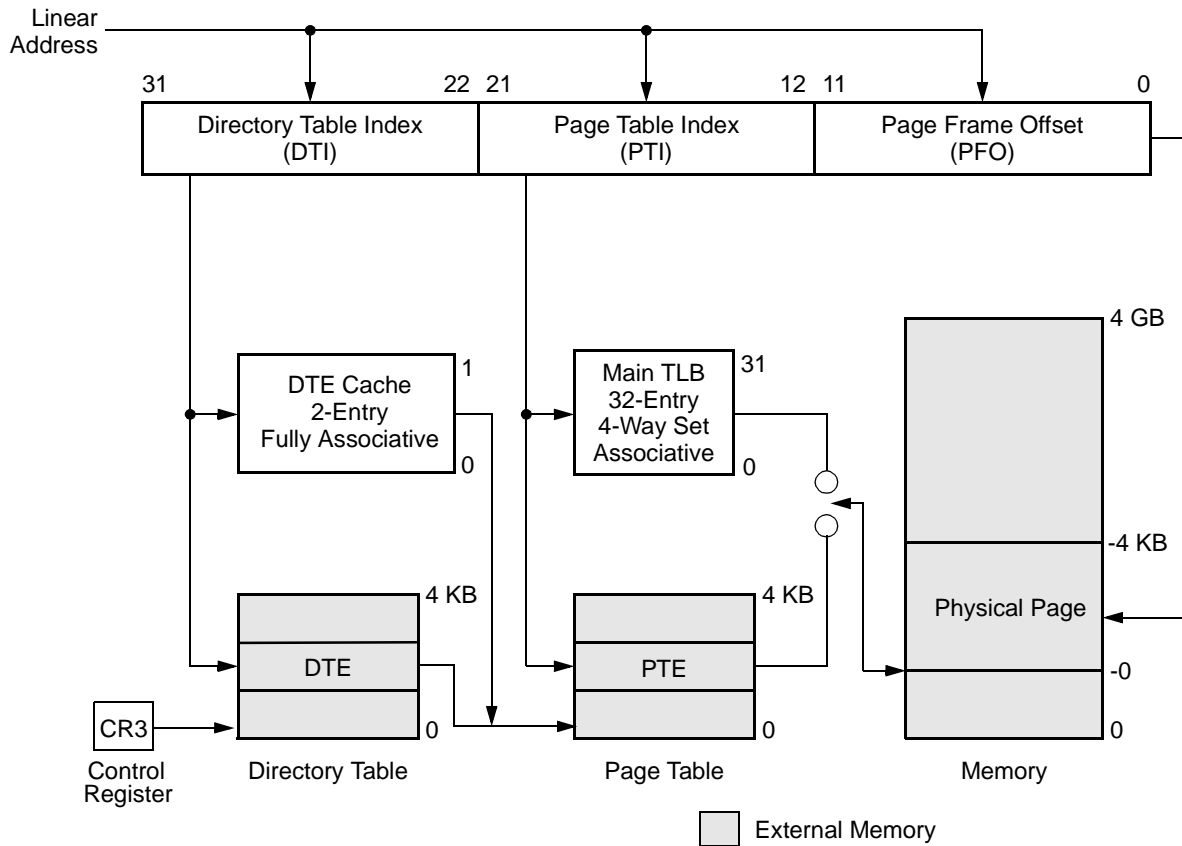


Figure 3-8. Paging Mechanism

Processor Programming (Continued)

Bits [21:12] of the 32-bit linear address, referred to as the Page Table Index (PTI), locate a 32-bit entry in the second-level page table. This Page Table Entry (PTE) contains the base address of the desired page frame. The second-level page table addresses up to 1K individual page frames. A second-level page table is 4 KB in size and is itself a page. Bits [11:0] of the 32-bit linear address, the Page Frame Offset (PFO), locate the desired physical data within the page frame.

Since the page directory table can point to 1 K page tables, and each page table can point to 1 K page frames, a total of 1 M page frames can be implemented. Since each page frame contains 4 KB, up to 4 GB of virtual memory can be addressed by the CPU with a single page directory table.

Along with the base address of the page table or the page frame, each directory table entry or page table entry contains attribute bits and a present bit as illustrated in Table 3-28.

If the present bit (P) is set in the DTE, the page table is present and the appropriate page table entry is read. If P = 1 in the corresponding PTE (indicating that the page is in memory), the accessed and dirty bits are updated, if necessary, and the operand is fetched. Both accessed bits are set (DTE and PTE), if necessary, to indicate that the table and the page have been used to translate a linear address. The dirty bit (D) is set before the first write is made to a page.

The present bits must be set to validate the remaining bits in the DTE and PTE. If either of the present bits are not set, a page fault is generated when the DTE or PTE is accessed. If P = 0, the remaining DTE/PTE bits are available for use by the operating system. For example, the operating system can use these bits to record where on the hard disk the pages are located. A page fault is also generated if the memory reference violates the page protection attributes.

Translation Look-Aside Buffer

The translation look-aside buffer (TLB) is a cache for the paging mechanism and replaces the two-level page table lookup procedure for TLB hits. The TLB is a four-way set associative 32-entry page table cache that automatically keeps the most commonly used page table entries in the processor. The 32-entry TLB, coupled with a 4 K page size, results in coverage of 128 KB of memory addresses.

The TLB must be flushed when entries in the page tables are changed. The TLB is flushed whenever the CR3 register is loaded. An individual entry in the TLB can be flushed using the INVLPG instruction.

DTE Cache

The DTE cache caches the two most recent DTEs so that future TLB misses only require a single page table read to calculate the physical address. The DTE cache is disabled following reset and can be enabled by setting the DTE_EN bit in CCR4[4] (Index E8h).

Table 3-28. Directory Table Entry (DTE) and Page Table Entry (PTE)

Bit	Name	Description
31:12	BASE ADDRESS	Base Address: Specifies the base address of the page or page table.
11:9	AVAILABLE	Available: Undefined and Available to the Programmer
8:7	RSVD	Reserved: Unavailable to programmer
6	D	Dirty Bit: PTE format — If = 1: Indicates that a write access has occurred to the page. DTE format — Reserved.
5	A	Accessed Flag: If set, indicates that a read access or write access has occurred to the page.
4:3	RSVD	Reserved: Set to 0.
2	U/S	User/Supervisor Attribute: If = 1: Page is accessible by User at privilege level 3. If = 0: Page is accessible by Supervisor only when CPL ≤ 2.
1	W/R	Write/Read Attribute: If = 1: Page is writable. If = 0: Page is read only.
0	P	Present Flag: If = 1: The page is present in RAM and the remaining DTE/PTE bits are validated If = 0: The page is not present in RAM and the remaining DTE/PTE bits are available for use by the programmer.

Processor Programming (Continued)

3.10 INTERRUPTS AND EXCEPTIONS

The processing of either an interrupt or an exception changes the normal sequential flow of a program by transferring program control to a selected service routine. Except for SMM interrupts, the location of the selected service routine is determined by one of the interrupt vectors stored in the interrupt descriptor table.

True interrupts are hardware interrupts and are generated by signal sources external to the processor. All exceptions (including so-called software interrupts) are produced internally by the processor.

3.10.1 Interrupts

External events can interrupt normal program execution by using one of the three interrupt pins on the GXm processor:

- Non-maskable Interrupt (NMI pin)
- Maskable Interrupt (INTR pin)
- SMM Interrupt (SMI# pin)

For most interrupts, program transfer to the interrupt routine occurs after the current instruction has been completed. When the execution returns to the original program, it begins immediately following the interrupted instruction.

The **NMI interrupt** cannot be masked by software and always uses interrupt vector 2 to locate its service routine. Since the interrupt vector is fixed and is supplied internally, no interrupt acknowledge bus cycles are performed. This interrupt is normally reserved for unusual situations such as parity errors and has priority over INTR interrupts.

Once NMI processing has started, no additional NMIs are processed until an IRET instruction is executed, typically at the end of the NMI service routine. If NMI is re-asserted before execution of the IRET instruction, one and only one NMI rising edge is stored and then processed after execution of the next IRET.

During the NMI service routine, maskable interrupts may be enabled. If an unmasked INTR occurs during the NMI service routine, the INTR is serviced and execution returns to the NMI service routine following the next IRET. If a HALT instruction is executed within the NMI service routine, the CPU restarts execution only in response to RESET, an unmasked INTR or a System Management Mode (SMM) interrupt. NMI does not restart CPU execution under this condition.

The **INTR interrupt** is unmasked when the Interrupt Enable Flag (IF, bit 9) in the EFLAGS register is set to 1. Except for string operations, INTR interrupts are acknowledged between instructions. Long string operations have interrupt windows between memory moves that allow INTR interrupts to be acknowledged.

When an INTR interrupt occurs, the processor performs an interrupt-acknowledge bus cycle. During this cycle, the CPU reads an 8-bit vector that is supplied by an external interrupt controller. This vector selects which of the 256 possible interrupt handlers will be executed in response to the interrupt.

The **SMM interrupt** has higher priority than either INTR or NMI. After SMI# is asserted, program execution is passed to an SMI service routine that runs in SMM address space reserved for this purpose. The remainder of this section does not apply to the SMM interrupts. SMM interrupts are described in greater detail later in this section.

3.10.2 Exceptions

Exceptions are generated by an interrupt instruction or a program error. Exceptions are classified as traps, faults or aborts depending on the mechanism used to report them and the restartability of the instruction which first caused the exception.

A **Trap exception** is reported immediately following the instruction that generated the trap exception. Trap exceptions are generated by execution of a software interrupt instruction (INTO, INT3, INTn, BOUND), by a single-step operation or by a data breakpoint.

Software interrupts can be used to simulate hardware interrupts. For example, an INTn instruction causes the processor to execute the interrupt service routine pointed to by the nth vector in the interrupt table. Execution of the interrupt service routine occurs regardless of the state of the IF flag (bit 9) in the EFLAGS register.

The one byte INT3, or breakpoint interrupt (vector 3), is a particular case of the INTn instruction. By inserting this one byte instruction in a program, the user can set breakpoints in the code that can be used during debug.

Processor Programming (Continued)

Single-step operation is enabled by setting the TF bit (bit 8) in the EFLAGS register. When TF is set, the CPU generates a debug exception (vector 1) after the execution of every instruction. Data breakpoints also generate a debug exception and are specified by loading the debug registers (DR0-DR7) with the appropriate values.

A **Fault exception** is reported before completion of the instruction that generated the exception. By reporting the fault before instruction completion, the processor is left in a state that allows the instruction to be restarted and the effects of the faulting instruction to be nullified. Fault exceptions include divide-by-zero errors, invalid opcodes, page faults and coprocessor errors. Debug exceptions (vector 1) are also handled as faults (except for data breakpoints and single-step operations). After execution of the fault service routine, the instruction pointer points to the instruction that caused the fault.

An **Abort exception** is a type of fault exception that is severe enough that the CPU cannot restart the program at the faulting instruction. The double fault (vector 8) is the only abort exception that occurs on the processor.

3.10.3 Interrupt Vectors

When the processor services an interrupt or exception, the current program's instruction pointer and flags are pushed onto the stack to allow resumption of execution of the interrupted program. In protected mode, the processor also saves an error code for some exceptions. Program control is then transferred to the interrupt handler (also called the interrupt service routine). Upon execution of an IRET at the end of the service routine, program execution resumes at the instruction pointer address saved on the stack when the interrupt was serviced.

3.10.3.1 Interrupt Vector Assignments

Each interrupt (except SMI#) and exception is assigned one of 256 interrupt vector numbers as shown in Table 3-29. The first 32 interrupt vector assignments are defined or reserved. INT instructions acting as software interrupts may use any of interrupt vectors, 0 through 255.

The non-maskable hardware interrupt (NMI) is assigned vector 2. Illegal opcodes including faulty FPU instructions will cause an illegal opcode exception, interrupt vector 6. NMI interrupts are enabled by setting bit 2 of the CCR7 register (Index EBh[2] = 1, see Table 3-11 on page 49 for register format).

In response to a maskable hardware interrupt (INTR), the processor issues interrupt acknowledge bus cycles used to read the vector number from external hardware. These vectors should be in the range 32 to 255 as vectors 0 to 31 are predefined. In PCs, vectors 8 through 15 are used.

3.10.3.2 Interrupt Descriptor Table

The interrupt vector number is used by the processor to locate an entry in the interrupt descriptor table (IDT). In real mode, each IDT entry consists of a four-byte far pointer to the beginning of the corresponding interrupt service routine. In protected mode, each IDT entry is an 8-byte descriptor. The Interrupt Descriptor Table Register (IDTR) specifies the beginning address and limit of the IDT. Following reset, the IDTR contains a base address of 0h with a limit of 3FFh.

The IDT can be located anywhere in physical memory as determined by the IDTR. The IDT may contain different types of descriptors: interrupt gates, trap gates and task gates. Interrupt gates are used primarily to enter a hardware interrupt handler. Trap gates are generally used to enter an exception handler or software interrupt handler. If an interrupt gate is used, the Interrupt Enable Flag (IF) in the EFLAGS register is cleared before the interrupt handler is entered. Task gates are used to make the transition to a new task.

Table 3-29. Interrupt Vector Assignments

Interrupt Vector	Function	Exception Type
0	Divide error	Fault
1	Debug exception	Trap/Fault*
2	NMI interrupt	
3	Breakpoint	Trap
4	Interrupt on overflow	Trap
5	BOUND range exceeded	Fault
6	Invalid opcode	Fault
7	Device not available	Fault
8	Double fault	Abort
9	Reserved	
10	Invalid TSS	Fault
11	Segment not present	Fault
12	Stack fault	Fault
13	General protection fault	Trap/Fault
14	Page fault	Fault
15	Reserved	
16	FPU error	Fault
17	Alignment check exception	Fault
18:31	Reserved	
32:55	Maskable hardware interrupts	Trap
0:255	Programmed interrupt	Trap

Note: *Data breakpoints and single steps are traps. All other debug exceptions are faults.

Processor Programming (Continued)

3.10.4 Interrupt and Exception Priorities

As the CPU executes instructions, it follows a consistent policy for prioritizing exceptions and hardware interrupts. The priorities for competing interrupts and exceptions are listed in Table 3-30. SMM interrupts always take precedence. Debug traps for the previous instruction and next instructions are handled as the next priority. When NMI and maskable INTR interrupts are both detected at the same instruction boundary, the GXm processor services the NMI interrupt first.

The CPU checks for exceptions in parallel with instruction decoding and execution. Several exceptions can result from a single instruction. However, only one exception is

generated upon each attempt to execute the instruction. Each exception service routine should make the appropriate corrections to the instruction and then restart the instruction. In this way, exceptions can be serviced until the instruction executes properly.

The CPU supports instruction restart after all faults, except when an instruction causes a task switch to a task whose task state segment (TSS) is partially not present. A TSS can be partially not present if the TSS is not page aligned and one of the pages where the TSS resides is not currently in memory.

Table 3-30. Interrupt and Exception Priorities

Priority	Description	Notes
0	Warm Reset.	Caused by the assertion of WM_RST.
1	SMM hardware interrupt.	SMM interrupts are caused by SMI# asserted and always have highest priority.
2	Debug traps and faults from previous instruction.	Includes single-step trap and data breakpoints specified in the debug registers.
3	Debug traps for next instruction.	Includes instruction execution breakpoints specified in the debug registers.
4	Non-maskable hardware interrupt.	Caused by NMI asserted.
5	Maskable hardware interrupt.	Caused by INTR asserted and IF = 1.
6	Faults resulting from fetching the next instruction.	Includes segment not present, general protection fault and page fault.
7	Faults resulting from instruction decoding.	Includes illegal opcode, instruction too long, or privilege violation.
8	WAIT instruction and TS = 1 and MP = 1.	Device not available exception generated.
9	ESC instruction and EM = 1 or TS = 1.	Device not available exception generated.
10	Floating point error exception.	Caused by unmasked floating point exception with NE = 1.
11	Segmentation faults (for each memory reference required by the instruction) that prevent transferring the entire memory operand.	Includes segment not present, stack fault, and general protection fault.
12	Page Faults that prevent transferring the entire memory operand.	
13	Alignment check fault.	

Processor Programming (Continued)

3.10.5 Exceptions in Real Mode

Many of the exceptions described in Table 3-29 on page 75 are not applicable in real mode. Exceptions 10, 11, and 14 do not occur in real mode. Other exceptions have slightly different meanings in real mode as listed in Table 3-31.

Table 3-31. Exception Changes in Real Mode

Vector Number	Protected Mode Function	Real Mode Function
8	Double fault.	Interrupt table limit overrun.
10	Invalid TSS.	Does not occur.
11	Segment not present.	Does not occur.
12	Stack fault.	SS segment limit overrun.
13	General protection fault.	CS, DS, ES, FS, GS segment limit overrun. In protected mode, an error is pushed. In real mode, no error is pushed.
14	Page fault.	Does not occur.

3.10.6 Error Codes

When operating in protected mode, the following exceptions generate a 16-bit error code:

- Double Fault
- Alignment Check
- Invalid TSS
- Segment Not Present
- Stack Fault
- General Protection Fault
- Page Fault

The error code format and bit definitions are shown in Table 3-32. Bits [15:3] (selector index) are not meaningful if the error code was generated as the result of a page fault. The error code is always zero for double faults and alignment check exceptions.

Table 3-32. Error Codes

15	14	13	12	11	10	9	8	7	6	5	4	3	2	1	0
Selector Index													S2	S1	S0

Table 3-33. Error Code Bit Definitions

Fault Type	Selector Index (Bits 15:3)	S2 (Bit 2)	S1 (Bit 1)	S0 (Bit 0)
Page Fault	Reserved.	Fault caused by: 0 = Not present page 1 = Page-level protection violation	Fault occurred during: 0 = Read access 1 = Write access	Fault occurred during 0 = Supervisor access 1 = User access.
IDT Fault	Index of faulty IDT selector.	Reserved	1	If = 1, exception occurred while trying to invoke exception or hardware interrupt handler.
Segment Fault	Index of faulty selector.	TI bit of faulty selector	0	If =1, exception occurred while trying to invoke exception or hardware interrupt handler.

Processor Programming (Continued)

3.11 SYSTEM MANAGEMENT MODE

System Management Mode (SMM) is usually employed for system power management or software-transparent emulation of I/O peripherals. SMM mode is entered through a hardware signal “System Management Interrupt” (SMI# pin) that has a higher priority than any other interrupt, including NMI. An SMM interrupt can also be triggered from software using an SMINT instruction. Following an SMM interrupt, portions of the CPU state are automatically saved, SMM mode is entered, and program execution begins at the base of SMM address space (Figure 3-9).

The GXm processor extends System Management Mode (SMM) to support the virtualization of many devices, including VGA video. The SMM mechanism can be triggered not only by I/O activity, but by access to selected memory regions. For example, SMM interrupts are generated when VGA addresses are accessed. As will be described, other SMM enhancements have reduced SMM overhead and improved virtualization-software performance

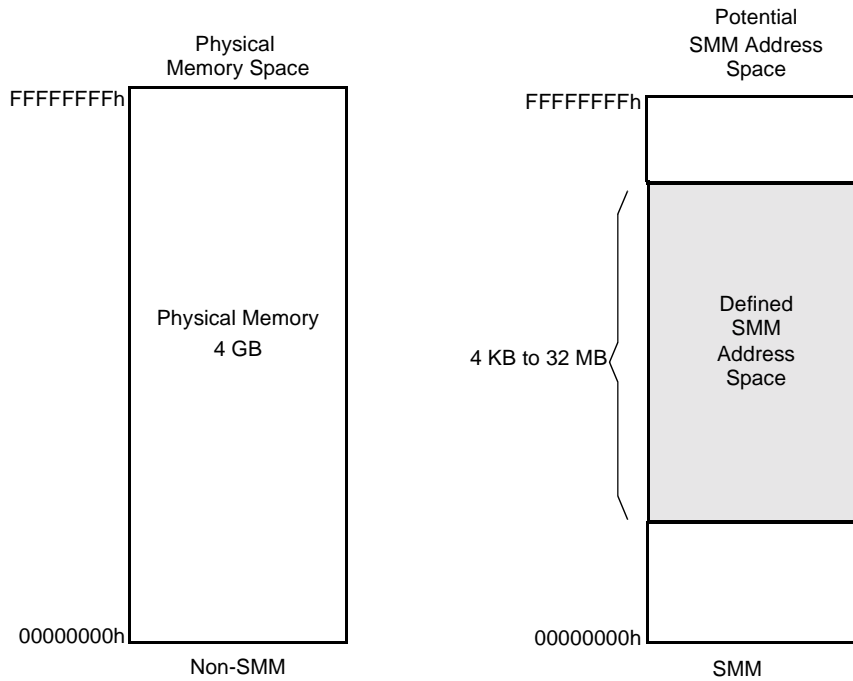


Figure 3-9. System Management Memory Address Space

Processor Programming (Continued)

3.11.1 SMM Enhancements

Eight SMM instructions have been added to the x86 instruction set that permit initiating SMM through software and saving and restoring the total CPU state when in SMM.

The SMM header now:

- Stores 32-bits memory addresses.
- Stores 32-bit memory data.
- Differentiates memory and I/O accesses.
- Indicates if an SMM interrupt was generated by access to a VGA region.

The SMM service code is now cacheable. An SMAR register specifies the SMM region code base and limit. An SMHR register specifies the physical address for the SMM header. The SMI_NEST bit enables the nesting of SMM interrupts.

3.11.2 SMM Operation

SMM execution flow is summarized in Figure 3-10. Entering SMM requires the assertion of the SMI# pin for at least two SYSCLK periods or execution of the SMINT instruction. For the SMI# signal or SMINT instruction to be recognized, configuration register bits must be set as shown in Table 3-34. (The configuration registers are discussed in detail in Section 3.3.2.2 “Configuration Registers” on page 47.)

After triggering an SMM through the SMI# pin or a SMINT instruction, selected CPU state information is automatically saved in the SMM memory space header located at the top of SMM memory space. After saving the header, the CPU enters real mode and begins executing the SMM service routine starting at the SMM memory region base address.

The SMM service routine is user definable and may contain system or power management software. If the power management software forces the CPU to power down or if the SMM service routine modifies more registers than are automatically saved, the complete CPU state information should be saved.

Table 3-34. SMI# and SMINT Recognition Requirements

Register Bits	SMI#	SMINT
USE_SMI, CCR1[1] (Index C1h)	1	1
SMAC, CCR1[2] (Index C1h)	0	1
SIZE[3:0], SMAR3[3:0] (Index CFh)	>0	>0

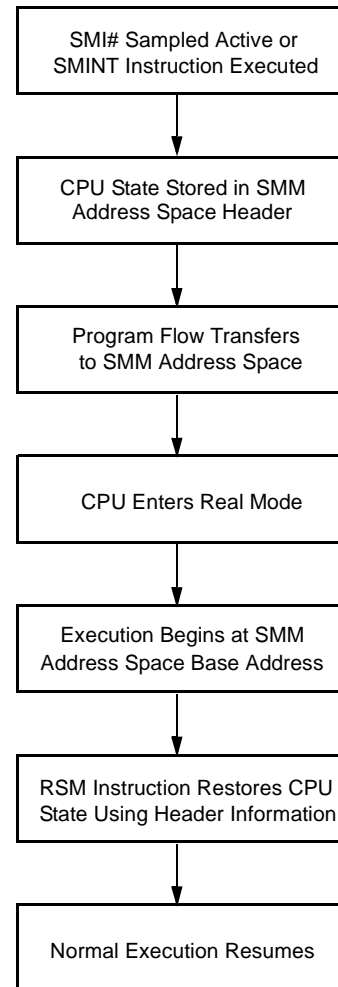


Figure 3-10. SMM Execution Flow

Processor Programming (Continued)

3.11.3 The SMI# Pin

External chipsets can generate an SMI based on numerous asynchronous events, including power management timers, I/O address trapping, external devices, audio FIFO events, and others. Since SMI# is edge sensitive, the chipset must generate an edge for each of the events above, requiring arbitration and storage of multiple SMM events. These functions are provided by the CS5530 I/O companion device. The processor generates an SMI when the external pin changes from high-to-low or when an RSM occurs if SMI# has not remained low since the initiation of the previous SMI.

3.11.4 SMM Configuration Registers

The SMAR register specifies the base location of SMM code region and its size limit. This SMAR register is identical to many of the National Semiconductor processors.

A new configuration control register called SMHR has been added to specify the 32-bit physical address of the SMM header. The SMHR address must be 32-bit aligned as the bottom two bits are ignored by the microcode. Hardware will detect write operations to SMHR, and signal the microcode to recompute the header address. Access to these registers is enabled by MAPEN (Index C3h[4]).

The SMAR register writes to the SMM header when the SMAR register is changed. For this reason, changes to the SMAR register should be completed prior to setting up the SMM header. The configuration registers bit formats are detailed in Table 3-11 on page 49.

3.11.5 SMM Memory Space Header

Tables 3-35 and show the SMM header. A memory address field has been added to the end (offset -40h) of the header for the GXm processor. Memory data will be stored overlapping the I/O data, since these events cannot occur simultaneously. The I/O address is valid for both IN and OUT instructions, and I/O data is valid only for OUT. The memory address is valid for read and write operations, and memory data is valid only for write operations.

With every SMI interrupt or SMINT instruction, selected CPU state information is automatically saved in the SMM memory space header located at the top of SMM address space. The header contains CPU state information that is modified when servicing an SMM interrupt. Included in this information are two pointers. The current IP points to the instruction executing when the SMI was detected, but it is valid only for an internal I/O SMI.

The Next IP points to the instruction that will be executed after exiting SMM. The contents of Debug Register 7 (DR7), the Extended FLAGS Register (EFLAGS), and Control Register 0 (CR0) are also saved. If SMM has been entered due to an I/O trap for a REP INSt or REP OUTSt instruction, the Current IP and Next IP fields contain the same addresses. In addition, the I and P fields contain valid information.

If entry into SMM is the result of an I/O trap, it is useful for the programmer to know the port address, data size and data value associated with that I/O operation. This information is also saved in the header and is valid only if SMI# is asserted during an I/O bus cycle. The I/O trap information is not restored within the CPU when executing a RSM instruction.

Table 3-35. SMM Memory Space Header

Mem. Offset	31	30	29	28	27	26	25	24	23	22	21	20	19	18	17	16	15	14	13	12	11	10	9	8	7	6	5	4	3	2	1	0			
-4h	DR7																																		
-8h	EFLAGS																																		
-Ch	CR0																																		
-10h	Current IP																																		
-14h	Next IP																																		
-18h	RSVD												CS Selector																						
-1Ch	CS Descriptor [63:32]																																		
-20h	CS Descriptor [31:0]																																		
-24h	RSVD												RSVD														N	V	X	M	H	S	P	I	C
-28h	I/O Data Size												I/O Address [15:0]																						
-2Ch	I/O or Memory Data [31:0] (Note)																																		
-30h	Restored ESI or EDI																																		
-32h	Memory Address [31:0]																																		

Note: Check the M bit at offset 24h to determine if the data is memory or I/O.

Processor Programming (Continued)

Table 3-36. SMM Memory Space Header Description

Name	Description	Size
DR7	Debug Register 7: The contents of Debug Register 7.	4 Bytes
EFLAGS	Extended FLAGS Register: The contents of Extended FLAGS Register.	4 Bytes
CR0	Control Register 0: The contents of Control Register 0.	4 Bytes
Current IP	Current Instruction Pointer: The address of the instruction executed prior to servicing SMM interrupt.	4 Bytes
Next IP	Next Instruction Pointer: The address of the next instruction that will be executed after exiting SMM.	4 Bytes
CS Selector	Code Segment Selector: Code segment register selector for the current code segment.	2 Bytes
CS Descriptor	Code Segment Descriptor: Encoded descriptor bits for the current code segment.	8 Bytes
N	Nested SMI Status: Flag that determines whether an SMI occurred during SMM (i.e., nested)	1 Bit
V	SoftVGA SMI Status: SMI was generated by an access to VGA region.	1 Bit
X	External SMI Status: If = 1: SMI generated by external SMI# pin If = 0: SMI internally generated by Internal Bus Interface Unit.	1 Bit
M	Memory or I/O Access: 0 = I/O access; 1 = Memory access.	1 Bit
H	Halt Status: Indicates that the processor was in a halt or shutdown prior to servicing the SMM interrupt.	1 Bit
S	Software SMM Entry Indicator: If = 1: Current SMM is the result of an SMINT instruction. If = 0: Current SMM is not the result of an SMINT instruction.	1 Bit
P	REP INSt/OUTSt Indicator: If = 1: Current instruction has a REP prefix. If = 0: Current instruction does not have a REP prefix.	1 Bit
I	IN, INSt, OUT, or OUTSt Indicator: If = 1: Current instruction performed is an I/O WRITE. If = 0: Current instruction performed is an I/O READ.	1 Bit
C	CS Writable: Code Segment Writable If = 1: CS is writable If = 0: CS is not writable	1 Bit
I/O Data Size	Indicates size of data for the trapped I/O cycle: 01h = byte 03h = word 0Fh = DWORD	2 Bytes
I/O Address	Processor port used for the trapped I/O cycle.	2 Bytes
I/O or Memory Data	Data associated with the trapped I/O or memory cycles.	4 Bytes
Restored ESI or EDI	Restored ESI or EDI Value: Used when it is necessary to repeat a REP OUTSt or REP INSt instruction when one of the I/O cycles caused an SMI# trap.	4 Bytes
Memory Address	Physical address of the operation that caused the SMI.	4 Bytes

Note: INSt = INSt, INStB, INStW or INStD instruction.
OUTSt = OUTSt, OUTStB, OUTStW and OUTStD instruction.

Processor Programming (Continued)

3.11.6 SMM Instructions

The GXm processor core automatically saves the minimal amount of CPU state information when entering an SMM cycle that allows fast SMM service-routine entry and exit. After entering the SMM service routine, the MOV, SVDC, SVLDT and SVTS instructions can be used to save the complete CPU state information. If the SMM service routine modifies more state information than is automatically saved or if it forces the CPU to power down, the complete CPU state information must be saved. Since the CPU is a static device, its internal state is retained when the input clock is stopped. Therefore, an entire CPU-state save is not necessary before stopping the input clock.

The SMM instructions, listed in Table 3-37, can be executed only if all the conditions listed below are met.

- 1) USE_SMI = 1.
- 2) SMAR SIZE > 0.
- 3) Current Privilege level = 0.
- 4) SMAC bit is high or the CPU is in an SMI service routine.

If any one of the conditions above is not met and an attempt is made to execute an SVDC, RSDC, SVLDT, RSLDT, SVTS, RSTS, or RSM instruction, an invalid opcode exception is generated. The SMM instructions can be executed outside of defined SMM space provided the conditions above are met.

The SMINT instruction can be used by software to enter SMM. The SMINT instruction can only be used outside an SMM routine if all the conditions listed below are true.

- 1) USE_SMI = 1
- 2) SMAR size > 0
- 3) Current Privilege Level = 0
- 4) SMAC = 1

If SMI# is asserted to the CPU during a software SMI, the hardware SMI# is serviced after the software SMI has been exited by execution of the RSM instruction.

All the SMM instructions (except RSM and SMINT) save or restore 80 bits of data, allowing the saved values to include the hidden portion of the register contents.

Table 3-37. SMM Instruction Set

Instruction	Opcode	Format	Description
SVDC	0F 78h [mod sreg3 r/m]	SVDC mem80, sreg3	Save Segment Register and Descriptor Saves reg (DS, ES, FS, GS, or SS) to mem80.
RSDC	0F 79h [mod sreg3 r/m]	RSDC sreg3, mem80	Restore Segment Register and Descriptor Restores reg (DS, ES, FS, GS, or SS) from mem80. Use RSM to restore CS. Note: Processing "RSDC CS, Mem80" will produce an exception.
SVLDT	0F 7Ah [mod 000 r/m]	SVLDT mem80	Save LDTR and Descriptor Saves Local Descriptor Table (LDTR) to mem80.
RSLDT	0F 7Bh [mod 000 r/m]	RSLDT mem80	Restore LDTR and Descriptor Restores Local Descriptor Table (LDTR) from mem80.
SVTS	0F 7Ch [mod 000 r/m]	SVTS mem80	Save TSR and Descriptor Saves Task State Register (TSR) to mem80.
RSTS	0F 7Dh [mod 000 r/m]	RSTS mem80	Restore TSR and Descriptor Restores Task State Register (TSR) from mem80.
SMINT	0F 38h	SMINT	Software SMM Entry CPU enters SMM. CPU state information is saved in SMM memory space header and execution begins at SMM base address.
RSM	0F AAh	RSM	Resume Normal Mode Exits SMM. The CPU state is restored using the SMM memory space header and execution resumes at interrupted point.

Note: smem80 = 80-bit memory location.

Processor Programming (Continued)

3.11.7 SMM Memory Space

SMM memory space is defined by specifying the base address and size of the SMM memory space in the SMAR register. The base address must be a multiple of the SMM memory space size. For example, a 32 KB SMM memory space must be located at a 32 KB address boundary. The memory space size can range from 4 KB to 32 MB. Execution of the interrupt begins at the base of the SMM memory space.

SMM memory space accesses are always cacheable, which allows SMM routines to run faster.

3.11.8 SMI Generation

Virtualization software depends on processor-specific hardware to generate SMI interrupts for each memory or I/O access to the device being implemented. The GXm processor implements SMI generation for VGA accesses. Memory write operations in regions A0000h to AFFFFh, B0000h to B7FFFh, and B8000h to BFFFFh generate an SMI.

Memory reads are not trapped by the GXm processor. The GXm processor traps I/O addresses for VGA in the following regions: 3B0h to 3BFh, 3C0h to 3CFh, and 3D0h to 3DFh. Memory-write trapping is performed during instruction decode in the processor core. I/O read and write trapping is implemented in the Internal Bus Interface Unit of the GXm processor.

The SMI-generation hardware requires two additional configuration registers to control and mask SMI interrupts in the VGA memory space: VGACTL and VGAM. The VGACTL register has a control bit for each address range shown above. The VGAM register has 32 bits that can selectively disable 2 KB regions within the VGA memory. The VGAM applies only to the A0000h-to-AFFFFh region. If this region is not enabled in VGA_CTL, then the contents of VGAM is ignored. The purpose of VGAM is to prevent SMI from occurring when non-displayed VGA memory is accessed. This is an enhancement which improves performance for double-buffered applications. The format of each register is shown in Chapter 4 of this document.

3.11.9 SMI Service Routine Execution

Upon entry into SMM, after the SMM header has been saved, the CR0, EFLAGS, and DR7 registers are set to their reset values. The Code Segment (CS) register is loaded with the base, as defined by the SMAR register, and a limit of 4 GBytes. The SMI service routine then begins execution at the SMM base address in real mode.

The programmer must save the value of any registers that may be changed by the SMI service routine. For data accesses immediately after entering the SMI service routine, the programmer must use CS as a segment override. I/O port access is possible during the routine but care must be taken to save registers modified by the I/O instructions. Before using a segment register, the register and the register's descriptor cache contents should be saved using the SVDC instruction.

Hardware interrupts, INTRs and NMIs, may be serviced during an SMI service routine. If interrupts are to be serviced while executing in the SMM memory space, the SMM memory space must be within the address range of 0 to 1 MB to guarantee proper return to the SMI service routine after handling the interrupt.

INTRs are automatically disabled when entering SMM since the IF flag (EFLAGS register, bit 9) is set to its reset value. Once in SMM, the INTR can be enabled by setting the IF flag. An NMI event in SMM can be enabled by setting NMI_EN high in the CCR3 register (Index C3h[1]). If NMI is not enabled while in SMM, the CPU latches one NMI event and services the interrupt after NMI has been enabled or after exiting SMM through the RSM instruction. The processor is always in real mode in SMM, but it may exit to either real or protected mode depending on its state when SMM was initiated. The IDT (Interrupt Descriptor Table) indicates which state it will exit to.

Within the SMI service routine, protected mode may be entered and exited as required, and real or protected mode device drivers may be called.

To exit the SMI service routine, a Resume (RSM) instruction, rather than an IRET, is executed. The RSM instruction causes the GXm processor core to restore the CPU state using the SMM header information and resume execution at the interrupted point. If the full CPU state was saved by the programmer, the stored values should be reloaded before executing the RSM instruction using the MOV, RSDC, RSLDT and RSTS instructions.

3.11.9.1 SMI Nesting

The SMI mechanism supports nesting of SMI interrupts through the SMI handler, the SMI_NEST bit in CCR4[6] (Index E8h), and the Nested SMI Status bit (bit N in the SMM header, see Table on page 80). Nesting is an important capability in allowing high-priority events, such as audio virtualization, to interrupt lower-priority SMI code for VGA virtualization or power management. SMI_NEST controls whether SMI interrupts can occur during SMM. SMI handlers can optionally set SMI_NEST high to allow higher-priority SMI interrupts while handling the current event.

The SMI handler is responsible for managing the SMI header data for nested SMI interrupts. The SMI header must be saved before SMI_NEST is set high, and SMI_NEST must be cleared and its header information restored before an RSM instruction is executed.

The Nested SMI Status bit has been added to the SMM header to show whether the current SMI is nested. The processor sets Nested SMI Status high if the processor was in SMM when the SMI was taken. The processor uses Nested SMI Status on exit to determine whether the processor should stay in SMM.

When SMI nesting is disabled, the processor holds off external SMI interrupts until the currently executing SMM code exits. When SMI nesting is enabled, the processor can proceed with the SMI. The SMI handler will guarantee

Processor Programming (Continued)

that no internal SMIs are generated in SMM, so the processor ignores such events. If the internal and external SMI signals are received simultaneously, then the internal SMI is given priority to avoid losing the event.

The state diagram of the SMI_NEST and Nested SMI Status bits are shown in Figure 3-11 with each state explained next.

- A. When the processor is outside of SMM, Nested SMI Status is always clear and SMI_NEST is set high.
- B. The first-level SMI interrupt is received by the processor. The microcode clears SMI_NEST, sets Nested SMI Status high and saves the previous value of Nested SMI Status (0) in the SMI header.
- C. The first-level SMI handler saves the header and sets SMI_NEST high to re-enable SMI interrupts from SMM.
- D. A second-level (nested) SMI interrupt is received by the processor. This SMI is taken even though the processor is in SMM because the SMI_NEST bit is

set high. The microcode clears SMI_NEST, sets Nested SMI Status high and saves the previous value of Nested SMI Status (1) in the SMI header.

- E. The second-level SMI handler saves the header and sets SMI_NEST to re-enable SMI interrupts within SMM. Another level of nesting could occur during this period.
- F. The second-level SMI handler clears SMI_NEST to disable SMI interrupts, then restores its SMI header.
- G. The second-level SMI handler executes an RSM. The microcode sets SMI_NEST, and restores the Nested SMI Status (1) based on the SMI header.
- H. The first-level SMI handler clears SMI_NEST to disable SMI interrupts, then restores its SMI header.
- I. The first-level SMI handler executes an RSM. The microcode sets SMI_NEST high and restores the Nested SMI Status (0) based on the SMI header.

When the processor is outside of SMM, Nested SMI Status is always clear and SMI_NEST is set high.

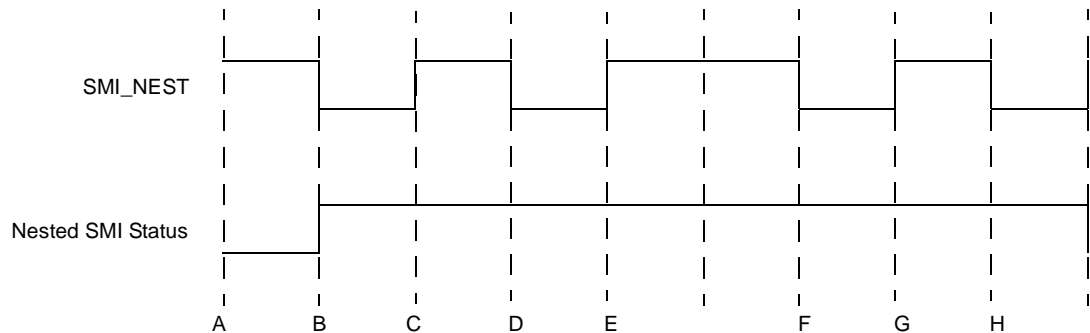


Figure 3-11. SMI Nesting State Machine

Processor Programming (Continued)

3.11.9.2 CPU States Related to SMM and Suspend Mode

The state diagram shown in Figure 3-12 illustrates the various CPU states associated with SMM and Suspend mode. While in the SMI service routine, the GXm processor core can enter Suspend mode either by (1) executing a halt (HLT) instruction or (2) by asserting the SUSP# input.

During SMM operations and while in SUSP#-initiated Suspend mode, an occurrence of either NMI or INTR is

latched. (In order for INTR to be latched, the IF flag, EFLAGS register bit 9, must be set.) The INTR or NMI is serviced after exiting Suspend mode.

If Suspend mode is entered through a HLT instruction from the operating system or application software, the reception of an SMI# interrupt causes the CPU to exit Suspend mode and enter SMM. If Suspend mode is entered through the hardware (SUSP# = 0) while the operating system or application software is active, the CPU latches one occurrence of INTR, NMI, and SMI#.

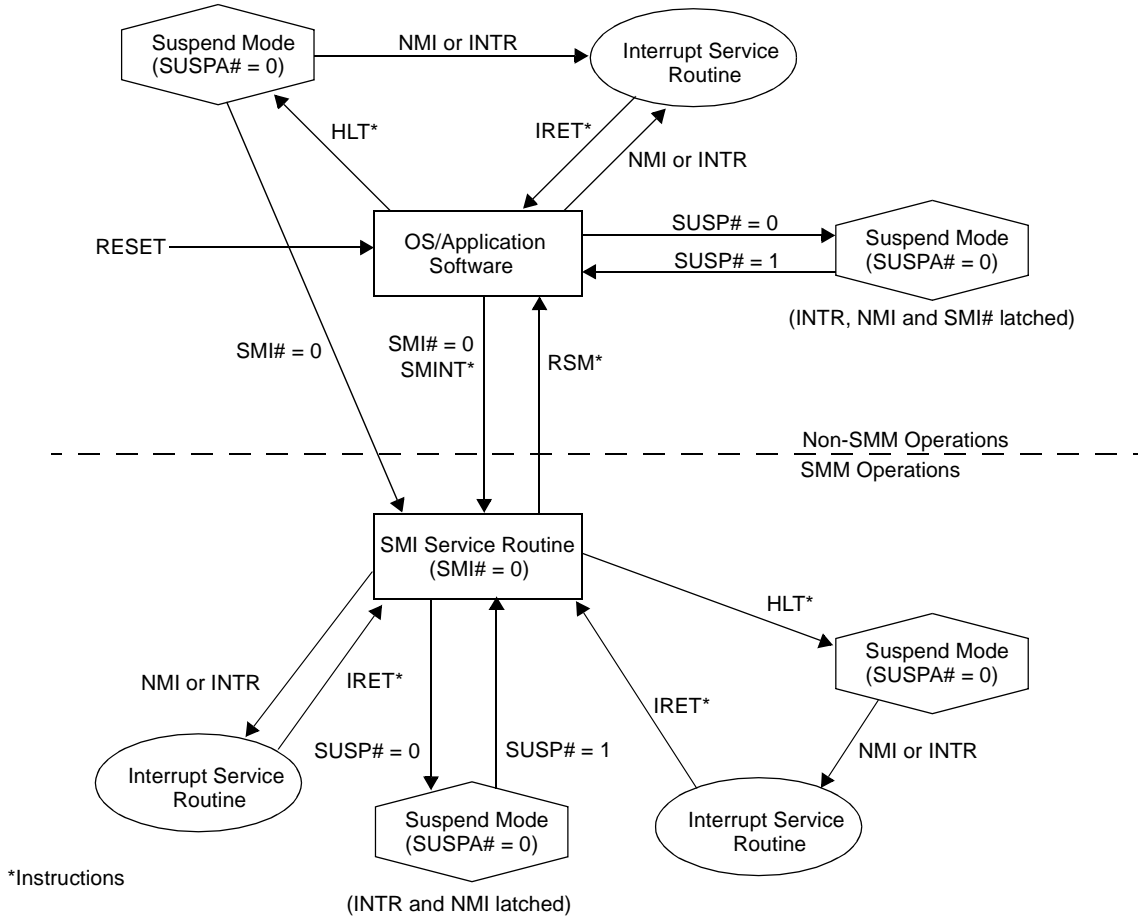


Figure 3-12. SMM and Suspend Mode State Diagram

Processor Programming (Continued)

3.12 SHUTDOWN AND HALT

The Halt Instruction (HLT) stops program execution and generates a special Halt bus cycle. The GXm processor core then drives out a special Stop Grant bus cycle and enters a low-power Suspend mode if the SUSP_HLT bit in CCR2 (Index C2h[3]) is set. SMI#, NMI, INTR with interrupts enabled (IF bit in EFLAGS = 1), or RESET forces the CPU out of the halt state. If the halt state is interrupted, the saved code segment and instruction pointer specify the instruction following the HLT.

Shutdown occurs when a severe error is detected that prevents further processing. The most common severe error is the triple fault, a fault event while handling a double fault. Setting the IDT or the GDT limit to zero will cause a triple fault.

An NMI input or a reset can bring the processor out of shutdown. An NMI will work if the IDT limit is large enough, at least 000Fh, to contain the NMI interrupt vector and if the stack has enough room. The stack must be large enough to contain the vector and flag information (the stack pointer must be greater than 0005h).

3.13 PROTECTION

Segment protection and page protection are safeguards built into the GXm processor's protected-mode architecture that deny unauthorized or incorrect access to selected memory addresses. These safeguards allow multitasking programs to be isolated from each other and from the operating system. This section concentrates on segment protection.

Selectors and descriptors are the key elements in the segment protection mechanism. The segment base address, size, and privilege level are established by a segment descriptor. Privilege levels control the use of privileged instructions, I/O instructions and access to segments and segment descriptors. Selectors are used to locate segment descriptors.

Segment accesses are divided into two basic types, those involving code segments (e.g., control transfers) and those involving data accesses. The ability of a task to access a segment depends on the:

- segment type
- instruction requesting access
- type of descriptor used to define the segment
- associated privilege levels (described next)

Data stored in a segment can be accessed only by code executing at the same or a more privileged level. A code segment or procedure can only be called by a task executing at the same or a less privileged level.

3.13.1 Privilege Levels

The values for privilege levels range between 0 and 3. Level 0 is the highest privilege level (most privileged), and level 3 is the lowest privilege level (least privileged). The privilege level in real mode is zero.

The **Descriptor Privilege Level (DPL)** is the privilege level defined for a segment in the segment descriptor. The DPL field specifies the minimum privilege level needed to access the memory segment pointed to by the descriptor.

The **Current Privilege Level (CPL)** is defined as the current task's privilege level. The CPL of an executing task is stored in the hidden portion of the code segment register and essentially is the DPL for the current code segment.

The **Requested Privilege Level (RPL)** specifies a selector's privilege level. RPL is used to distinguish between the privilege level of a routine actually accessing memory (the CPL), and the privilege level of the original requester (the RPL) of the memory access. If the level requested by RPL is less than the CPL, the RPL level is accepted and the Effective Privilege Level (EPL) is changed to the RPL value. If the level requested by RPL is greater than CPL, the CPL overrides the requested RPL and EPL becomes the CPL value.

The lesser of the RPL and CPL is called the Effective Privilege Level (EPL). Therefore, if RPL = 0 in a segment selector, the EPL is always determined by the CPL. If RPL = 3, the EPL is always 3 regardless of the CPL.

For a memory access to succeed, the EPL must be at least as privileged as the Descriptor Privilege Level (EPL ≤ DPL). If the EPL is less privileged than the DPL (EPL > DPL), a general protection fault is generated. For example, if a segment has a DPL = 2, an instruction accessing the segment only succeeds if executed with an EPL ≤ 2.

3.13.2 I/O Privilege Levels

The I/O Privilege Level (IOPL) allows the operating system executing at CPL = 0 to define the least privileged level at which IOPL-sensitive instructions can unconditionally be used. The IOPL-sensitive instructions include CLI, IN, OUT, INS, OUTS, REP INS, REP OUTS, and STI. Modification of the IF bit in the EFLAGS register is also sensitive to the I/O privilege level.

The IOPL is stored in the EFLAGS register (bits [31:12]). An I/O permission bit map is available as defined by the 32-bit Task State Segment (TSS). Since each task can have its TSS, access to individual I/O ports can be granted through separate I/O permission bit maps.

If CPL ≤ IOPL, IOPL-sensitive operations can be performed. If CPL > IOPL, a general protection fault is generated if the current task is associated with a 16-bit TSS. If the current task is associated with a 32-bit TSS and CPL > IOPL, the CPU consults the I/O permission bitmap in the TSS to determine on a port-by-port basis whether or not I/O instructions (IN, OUT, INS, OUTS, REP INS, REP OUTS) are permitted. The remaining IOPL-sensitive operations generate a general protection fault.

Processor Programming (Continued)

3.13.3 Privilege Level Transfers

A task's CPL can be changed only through intersegment control transfers using gates or task switches to a code segment with a different privilege level. Control transfers result from exception and interrupt servicing and from execution of the CALL, JMP, INT, IRET and RET instructions.

There are five types of control transfers that are summarized in Table 3-38. Control transfers can be made only when the operation causing the control transfer references the correct descriptor type. Any violation of these descriptor usage rules causes a general protection fault.

Any control transfer that changes the CPL within a task results in a change of stack. The initial values for the stack segment (SS) and stack pointer (ESP) for privilege levels 0, 1, and 2 are stored in the TSS. During a JMP or CALL control transfer, the SS and ESP are loaded with the new stack pointer and the previous stack pointer is saved on the new stack. When returning to the original privilege level, the RET or IRET instruction restores the SS and ESP of the less-privileged stack.

3.13.3.1 Gates

Gate descriptors described in Section 3.7.5 “Gate Descriptors” on page 69, provide protection for privilege transfers among executable segments. Gates are used to transition to routines of the same or a more privileged level. Call gates, interrupt gates and trap gates are used for privilege transfers within a task. Task gates are used to transfer between tasks.

Gates conform to the standard rules of privilege. In other words, gates can be accessed by a task if the effective privilege level (EPL) is the same or more privileged than the gate descriptor's privilege level (DPL).

3.13.4 Initialization and Transition to Protected Mode

The GXm processor core switches to real mode immediately after RESET. While operating in real mode, the system tables and registers should be initialized. The GDTR and IDTR must point to a valid GDT and IDT, respectively. The size of the IDT should be at least 256 bytes, and the GDT must contain descriptors that describe the initial code and data segments.

The processor can be placed in protected mode by setting the PE bit (CR0 register bit 0). After enabling protected mode, the CS register should be loaded and the instruction decode queue should be flushed by executing an intersegment JMP. Finally, all data segment registers should be initialized with appropriate selector values.

Table 3-38. Descriptor Types Used for Control Transfer

Type of Control Transfer	Operation Types	Descriptor Referenced	Descriptor Table
Intersegment within the same privilege level.	JMP, CALL, RET, IRET*	Code Segment	GDT or LDT
Intersegment to the same or a more privileged level. Interrupt within task (could change CPL level).	CALL	Gate Call	GDT or LDT
	Interrupt Instruction, Exception, External Interrupt	Trap or Interrupt Gate	IDT
Intersegment to a less privileged level (changes task CPL).	RET, IRET*	Code Segment	GDT or LDT
Task Switch via TSS	CALL, JMP	Task State Segment	GDT
Task Switch via Task Gate	CALL, JMP	Task Gate	GDT or LDT
	IRET**, Interrupt Instruction, Exception, External Interrupt	Task Gate	IDT

Note: *NT = 0 (Nested Task bit in EFLAGS, bit 14)

**NT = 1 (Nested Task bit in EFLAGS, bit 14)

Processor Programming (Continued)

3.14 VIRTUAL 8086 MODE

Both real mode and virtual 8086 (V86) modes are supported by the GXm processor, allowing execution of 8086 application programs and 8086 operating systems. V86 mode allows the execution of 8086-type applications, yet still permits use of the paging and protection mechanisms. V86 tasks run at privilege level 3. Before entry, all segment limits must be set to FFFFh (64K) as in real mode.

3.14.1 Memory Addressing

While in V86 mode, segment registers are used in an identical fashion to real mode. The contents of the Segment register are multiplied by 16 and added to the offset to form the Segment Base Linear Address. The GXm processor permits the operating system to select which programs use the V86 address mechanism and which programs use protected mode addressing for each task.

The GXm processor also permits the use of paging when operating in V86 mode. Using paging, the 1 MB address space of the V86 task can be mapped to any region in the 4 GB linear address space.

The paging hardware allows multiple V86 tasks to run concurrently, and provides protection and operating system isolation. The paging hardware must be enabled to run multiple V86 tasks or to relocate the address space of a V86 task to physical address space other than 0.

3.14.2 Protection

All V86 tasks operate with the least amount of privilege (level 3) and are subject to all CPU protected mode protection checks. As a result, any attempt to execute a privileged instruction within a V86 task results in a general protection fault.

In V86 mode, a slightly different set of instructions are sensitive to the I/O privilege level (IOPL) than in protected mode. These instructions are: CLI, INT n, IRET, POPF, PUSHF, and STI. The INT3, INTO and BOUND variations of the INT instruction are not IOPL sensitive.

3.14.3 Interrupt Handling

To fully support the emulation of an 8086-type machine, interrupts in V86 mode are handled as follows. When an interrupt or exception is serviced in V86 mode, program execution transfers to the interrupt service routine at privilege level 0 (i.e., transition from V86 to protected mode occurs). The VM bit in the EFLAGS register (bit 17) is cleared. The protected mode interrupt service routine then determines if the interrupt came from a protected mode or V86 application by examining the VM bit in the EFLAGS image stored on the stack. The interrupt service routine may then choose to allow the 8086 operating system to handle the interrupt or may emulate the function of the interrupt handler. Following completion of the interrupt service routine, an IRET instruction restores the EFLAGS register (restores VM = 1) and segment selectors and control returns to the interrupted V86 task.

3.14.4 Entering and Leaving Virtual 8086 Mode

V86 mode is entered from protected mode by either executing an IRET instruction at CPL = 0 or by task switching. If an IRET is used, the stack must contain an EFLAGS image with VM = 1. If a task switch is used, the TSS must contain an EFLAGS image containing a 1 in the VM bit position. The POPF instruction cannot be used to enter V86 mode since the state of the VM bit is not affected. V86 mode can only be exited as the result of an interrupt or exception. The transition out must use a 32-bit trap or interrupt gate that must point to a non-conforming privilege level 0 segment (DPL = 0), or a 32-bit TSS. These restrictions are required to permit the trap handler to IRET back to the V86 program.

Processor Programming (Continued)

3.15 FLOATING POINT UNIT OPERATIONS

The FPU is x87-instruction-set compatible and adheres to the IEEE-754 standard. Because most applications that contain FPU instructions intermix with integer instructions, the GXm processor's FPU achieves high performance by completing integer and FPU operations in parallel.

3.15.1 FPU (Floating Point Unit) Register Set

In addition to the registers described to this point, the FPU within the CPU provides the user eight data registers accessed in a stack-like manner, a control register, and a status register. The CPU also provides a data register tag word that improves context switching and stack performance by maintaining empty/non-empty status for each of the eight data registers. In addition, registers contain pointers to (a) the memory location containing the current instruction word and (b) the memory location containing the operand associated with the current instruction word (if any).

3.15.2 FPU Tag Word Register

The CPU maintains a tag word register that is divided into eight tag word fields. These fields assume one of four values depending on the contents of their associated data registers: Valid (00), Zero (01), Special (10), and Empty (11). Note: Denormal, Infinity, QNaN, SNaN and unsupported formats are tagged as "Special." Tag values are maintained transparently by the CPU and are only available to the programmer indirectly through the FSTENV and FSAVE instructions. The tag word with tag fields for each associated physical register, tag(n), is shown in Table 3-39 on page 90.

3.15.3 FPU Status Register

The FPU communicates status information and operation results to the CPU through the status register. The fields in the FPU status register are detailed in Table 3-39 on page 90. These fields include information related to exception status, operation execution status, register status, operand class, and comparison results. This register is continuously accessible to the CPU regardless of the state of the Control or Execution Units.

3.15.4 FPU Mode Control Register

The FPU Mode Control Register (MCR) shown in Table 3-39 on page 90 is used by the GXm processor to specify the operating mode of the FPU. The MCR register fields include information related to the rounding mode selected, the amount of precision to be used in the calculations, and the exception conditions which should be reported to the GXm processor using traps. The user controls precision, rounding, and exception reporting by setting or clearing appropriate bits in the MCR.

Processor Programming (Continued)

Table 3-39. FPU Registers

Bit	Name	Description
FPU Tag Word Register (R/W) (Note)		
15:14	TAG7	TAG7: 00 = Valid; 01 = Zero; 10 = Special; 11 = Empty.
13:12	TAG6	TAG6: 00 = Valid; 01 = Zero; 10 = Special; 11 = Empty.
11:10	TAG5	TAG5: 00 = Valid; 01 = Zero; 10 = Special; 11 = Empty.
9:8	TAG4	TAG4: 00 = Valid; 01 = Zero; 10 = Special; 11 = Empty.
7:6	TAG3	TAG3: 00 = Valid; 01 = Zero; 10 = Special; 11 = Empty.
5:4	TAG2	TAG2: 00 = Valid; 01 = Zero; 10 = Special; 11 = Empty.
3:2	TAG1	TAG1: 00 = Valid; 01 = Zero; 10 = Special; 11 = Empty.
1:0	TAG0	TAG0: 00 = Valid; 01 = Zero; 10 = Special; 11 = Empty.
FPU Status Register (R/W) (Note)		
15	B	Copy of ES bit (bit 7 this register)
14	C3	Condition code bit 3
13:11	S	Top-of-Stack: Register number that points to the current TOS.
10:8	C[2:0]	Condition code bits [2:0]
7	ES	Error indicator: Set to 1 if unmasked exception detected.
6	SF	Stack Full: FPU Status Register: or invalid register operation bit.
5	P	Precision error exception bit
4	U	Underflow error exception bit
3	O	Overflow error exception bit
2	Z	Divide-by-zero exception bit
1	D	Denormalized-operand error exception bit
0	I	Invalid operation exception bit
FPU Mode Control Register (R/W) (Note)		
15:12	RSVD	Reserved: Set to 0.
11:10	RC	Rounding Control Bits: 00 = Round to nearest or even 01 = Round towards minus infinity 10 = Round towards plus infinity 11 = Truncate
9:8	PC	Precision Control Bits: 00 = 24-bit mantissa 01 = Reserved 10 = 53-bit mantissa 11 = 64-bit mantissa
7:6	RSVD	Reserved: Set to 0.
5	P	Precision error exception bit
4	U	FPU Mode Control Register
3	O	Overflow error exception bit
2	Z	Divide-by-zero exception bit
1	D	Denormalized-operand error exception bit
0	I	Invalid-operation exception bit
Note: R/W only through the environment at store and restore commands.		

4.0 Integrated Functions

The Geode GXm processor integrates a memory controller, graphics pipeline and display controller in a Unified Memory Architecture (UMA). UMA simplifies system designs and significantly reduces overall system costs associated with high chip count, small footprint notebook designs. Performance degradation in traditional UMA systems is reduced through the use of National Semiconductor's Display Compression Technology (DCT).

Figure 4-1 shows the major functional blocks of the GXm processor and how the internal bus interface unit operates as the interface between the processor's core units and the integrated functions.

This section details how the integrated functions and internal bus interface unit operate and their respective registers.

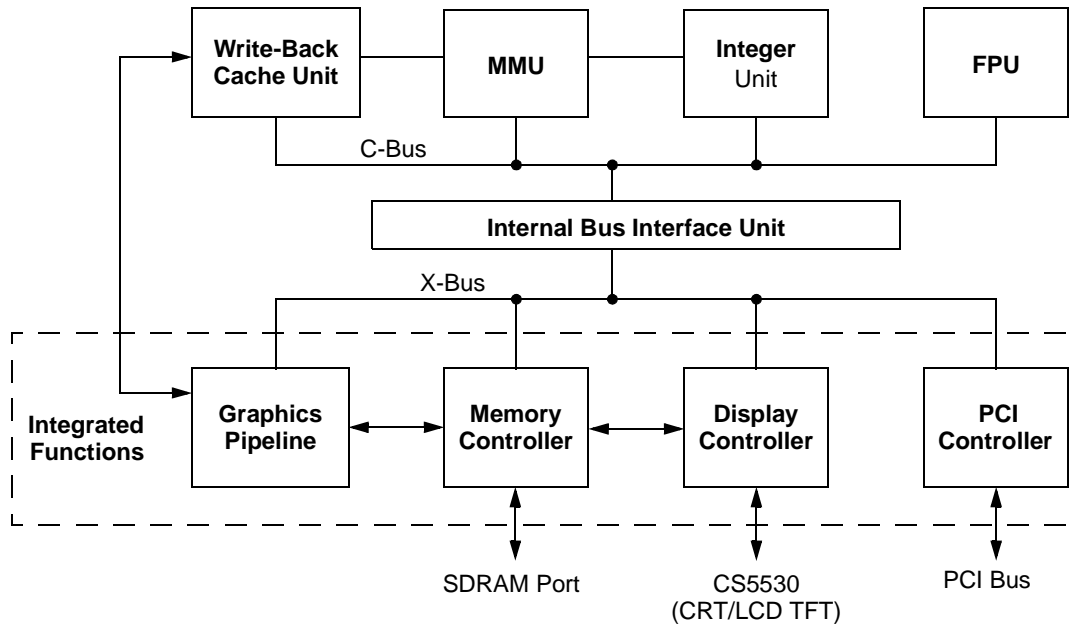


Figure 4-1. Internal Block Diagram

Integrated Functions (Continued)

4.1 INTEGRATED FUNCTIONS PROGRAMMING INTERFACE

The GXm processor performs mapping for the dedicated cache, graphics pipeline, display controller, memory controller, and graphics memory, including the frame buffer. It maps these to high memory addresses or GXm processor memory space. The base address for these is controlled by the Graphics Configuration Register (GCR, Index B8h), which specifies address bits [31:30] in physical memory.

Figure 4-2 on page 93 shows the address map for the GXm processor. When accessing the GXm processor memory space, address bits [29:24] must be zero. This allows the GXm processor a linear address space with a total of 16 MB. Address bit 23 divides this space into 8 MB for control (bit 23 = 0) and 8 MB for graphics memory (bit 23 = 1). In control space, bits [22:16] are not decoded, so the programmer should set them to zero. Address bit 15 divides the remaining 64 KB address space into scratchpad RAM and PCI access (bit 15 = 0) and control registers (bit 15 = 1).

Device drivers must be responsible for performing physical-to-virtual memory-address translation, including allo-

cation of selectors that point to the GXm processor. The processor may be accessed in protected mode by creating a selector with the physical address shown in Table 4-1, and a limit of 16 MB. A selector with a 64 KB limit is large enough to access all of the GXm processor's registers and scratchpad RAM.

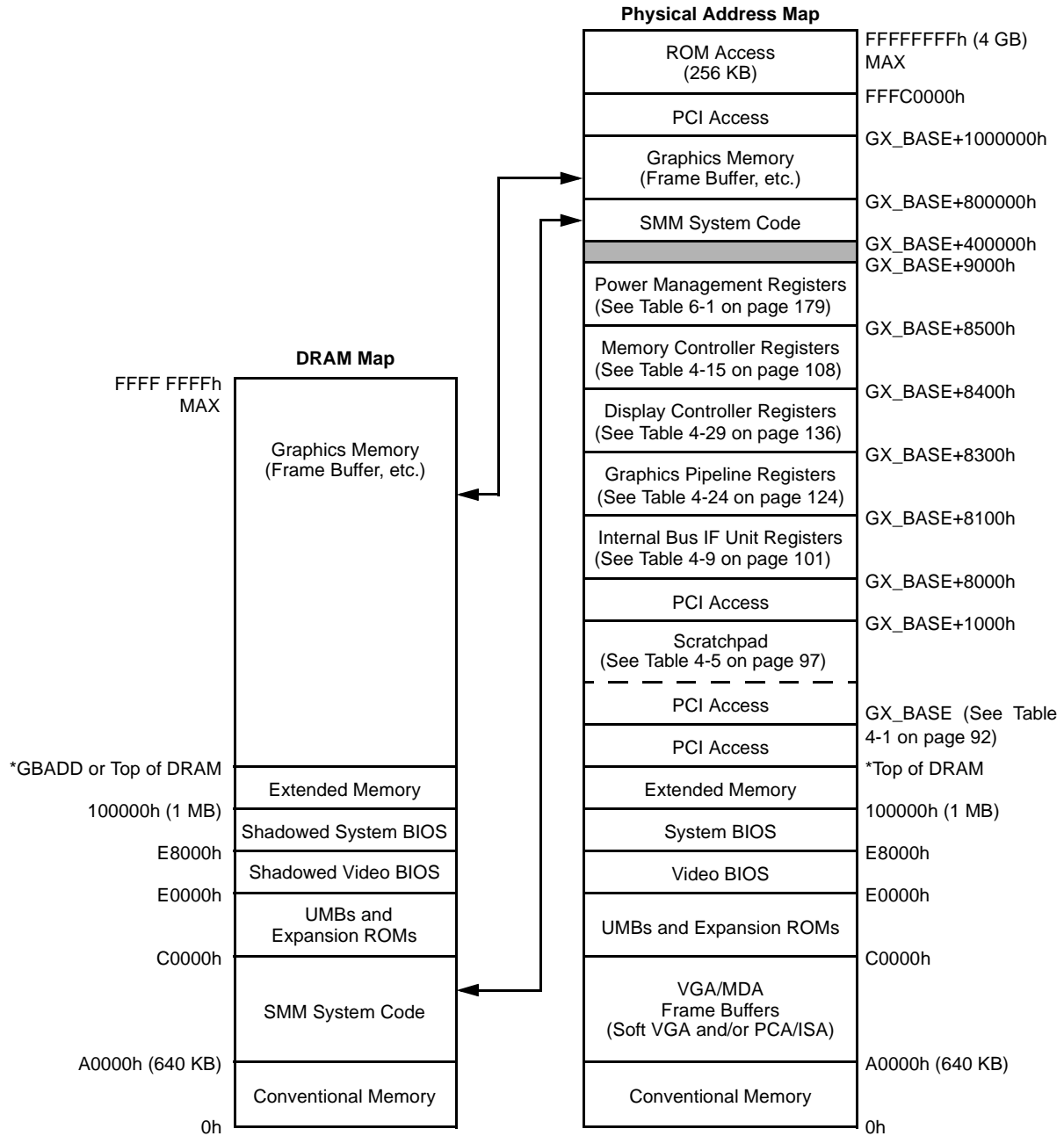
4.1.1 Graphics Control Register

The GXm processor incorporates graphics functions that require registers to implement and control them. Most of these registers are memory mapped and physically located in the logical units they control. The mapping of these units is controlled by this configuration register. The Graphics Control Register (GCR, Index B8h) is I/O-mapped because it must be accessed before memory mapping can be enabled. Refer to Section 3.3.2.2 "Configuration Registers" on page 47 for information on how to access this register.

Table 4-1. GCR Register

Bit	Name	Description
Index B8h		GCR Register (R/W) Default Value = 00h
7:4	RSVD	Reserved: Set to 0.
3:2	SP	Scratchpad Size: Specifies the size of the scratchpad cache. 00 = 0 KB 01 = 2 KB 10 = 3 KB 11 = 4 KB
1:0	GX	GXm Base Address: Specifies the physical address for the base (GX_BASE) of the scratchpad RAM, the graphics memory (frame buffer, compression buffer, etc.) and the other memory mapped registers. 00 = Scratchpad RAM, Graphics Subsystem, and memory-mapped configuration registers are disabled. 01 = Scratchpad RAM and control registers start at GX_BASE = 40000000h. 10 = Scratchpad RAM and control registers start at GX_BASE = 80000000h. 11 = Scratchpad RAM and control registers start at GX_BASE = C0000000h.

Integrated Functions (Continued)



* See BC_DRAM_TOP Table 4-10 on page 101 or MC_GBASE_ADD on page 111.

Figure 4-2. Geode™ GXm Processor Memory Space

Integrated Functions (Continued)

4.1.2 Control Registers

The control registers for the GXm processor use 32 KB of the memory map, starting at GX_BASE+8000h (see Figure 4-2 on page 93). This area is divided into internal bus interface unit, graphics pipeline, display controller, memory controller, and power management sections:

- The internal bus interface unit maps 100h locations starting at GX_BASE+8000h.
- The graphics pipeline maps 200h locations starting at GX_BASE+8100h.
- The display controller maps 100h locations starting at GX_BASE+8300h.
- The memory controller maps 100h locations starting at GX_BASE+8400h
- GX_BASE+8500h-8FFFh is dedicated to power management registers for the serial packet transmission control, the user-defined power management address space, Suspend Refresh, and SMI status for Suspend/Resume.

The register descriptions are contained in the individual subsections of this chapter. Accesses to undefined registers in the GXm processor control register space will not cause a hardware error.

4.1.3 Graphics Memory

The GXm processor's graphics memory is mapped into 8 MB starting at GX_BASE+800000h. This area includes the frame buffer memory and storage for internal display controller state. The frame buffer is a linear map whose size depends on the current resolution setup in the memory controller. Frame buffer scan lines are not contiguous in many resolutions, so software that renders to the frame buffer must use a skip count to advance between scan lines. The display controller uses the graphics memory that lies between scan lines for internal state. For this reason, *accessing graphics memory between the end of a scan line and the start of another can cause display problems*. The skip count for all supported resolutions is shown in Table 4-2.

Graphics memory is allocated from system DRAM by the system BIOS. The graphics memory size is programmed by setting the graphics memory base address in the memory controller. Display drivers communicate with system BIOS about resolution changes, to ensure that the correct amount of graphics memory is allocated. *When a graphics resolution change requires an increased amount of graphics memory, the system must be rebooted!* The reason for this restriction is that no mechanism exists to recover system DRAM from the operating system without rebooting.

Table 4-2. Display Resolution Skip Counts

Screen Resolution	Pixel Depth	Skip Count
640x480	8 bits	1024
640x480	16 bits	2048
800x600	8 bits	1024
800x600	16 bits	2048
1024x768	8 bits	1024
1024x768	16 bits	2048

Integrated Functions (Continued)

4.1.4 L1 Cache Controller

The GXm processor contains an on-board 16 KB unified data/instruction L1 cache. It operates in write-back mode. Since the memory controller is also on-board, the L1 cache requires no external logic to maintain coherency. All DMA cycles automatically snoop the L1 cache. For improved graphics performance, part of the L1 cache operates as a scratchpad RAM to be used by the graphics pipeline as a BLT Buffer.

The CD bit (Cache Disable, bit 30) in CR0 globally controls the operating mode of the L1 cache. LCD and LWT, Local Cache Disable and Local Write-through bits in the Translation Lookaside Buffer, control the mode on a page-by-page basis. Additionally, memory configuration control can specify certain memory regions as non-cacheable.

If the cache is disabled, no further cache line fills occur. However, data already present in the cache continues to be used. For the cache to be completely disabled, the cache must be invalidated with a WBINVD instruction after the cache has been disabled.

Write-back caching improves performance by relieving congestion on slower external buses. With four dirty bits, the cache marks dirty locations on a double-word basis. This further reduces the number of double-word bus write

operations needed during a replacement or flush operation.

The GXm processor will cache SMM regions. This speeds up system management overhead to allow for hardware emulation such as VGA.

The cache of the GXm processor provides the ability to redefine 2 KB, 3 KB, or 4 KB of the L1 cache to be scratchpad memory. The scratchpad area is memory mapped to the upper memory region defined by the GCR register (Index B8h). The valid bits for the scratchpad RAM will always be true and the scratchpad RAM locations will never be flushed to memory. The scratchpad RAM serves as a general purpose high speed RAM and as a BLT buffer for the graphics pipeline. Incrementing BLT buffer address registers have been added to enable the graphics pipeline to access this memory as a BLT buffer. A 16-byte line buffer dedicated to the graphics pipeline accesses has been added to minimize graphics interference with normal CPU operation.

Table 4-3 summarizes the registers contained in the L1 cache. These registers do not have default values and must be initialized before use. Table 4-4 on page 96 gives the register/bit formats.

Table 4-3. L1 Cache BitBLT Register Summary

Mnemonic Name	Function
L1_BB0_BASE L1 Cache BitBLT 0 Base Address	Contains the address offset to the first byte of BLT Buffer 0 in the scratchpad memory.
L1_BB0_POINTER L1 Cache BitBLT 0 Pointer	Contains the address offset to the current line of BLT Buffer 0 in the scratchpad memory.
L1_BB1_BASE L1 Cache BitBLT 1 Base Address	Contains the offset to the first byte of BLT Buffer 1 in the scratchpad memory.
L1_BB1_POINTER L1 Cache BitBLT 1 Pointer	Contains the address offset to the current line of BLT Buffer 1 in the scratchpad memory.
Note: For information on accessing these registers, refer to Section 4.1.6 "CPU_READ/CPU_WRITE Instructions" on page 99.	

Integrated Functions (Continued)

Table 4-4. L1 Cache BitBLT Registers

Bit	Name	Description
L1_BB0_BASE Register (R/W)		Default Value = None
15:12	RSVD	Reserved: Set to 0.
11:4	INDEX	BitBLT 0 Base Index: The index to the starting line of BLT Buffer 0.
3:0	BYTE	BitBLT 0 Starting Byte: Determines which byte of the starting line is the beginning of BLT Buffer 0.
L1_BB0_POINTER Register (R/W)		Default Value = None
15:12	RSVD	Reserved: Set to 0.
11:4	INDEX	BitBLT 0 Pointer Index: The index to the current line of BLT Buffer 0.
3:0	RSVD	Reserved: Set to 0.
L1_BB1_Base Register (R/W)		Default Value = None
15:12	RSVD	Reserved: Set to 0.
11:4	INDEX	BitBLT 1 Base Index: The index to the starting line of BLT Buffer 1.
3:0	BYTE	BitBLT 1 Starting Byte: Determines which byte of the starting line is the beginning of BLT Buffer 1.
L1_BB1_POINTER Register (R/W)		Default Value = None
15:12	RSVD	Reserved: Set to 0.
11:4	INDEX	BitBLT 1 Pointer Index: The index to the current line of BLT Buffer 1.
3:0	RSVD	Reserved: Set to 0.

Integrated Functions (Continued)

4.1.4.1 Scratchpad Memory

The scratchpad RAM is a dedicated high-speed memory cache that contains BLT buffers, SMM header, and a scratchpad area for display drivers. It provides both L1 cache performance and a dedicated resource that cannot be thrown out by other system activity. The configuration of the scratchpad is based on graphics resolution and is described in Table 4-5.

The scratchpad memory is part of the on-chip L1 cache memory. The memory size is controlled by bits in the GCR register (Index B8h). The scratchpad memory can be disabled, or sized to 2 KB, 3 KB, or 4 KB. The remaining L1 cache size is 16 KB minus the scratchpad size, and all of the scratchpad area is subtracted from a single way.

The scratchpad memory is used by display drivers and virtualization software. Because this resource must be tightly controlled to avoid conflicts, application software and third-party drivers should avoid accesses to the scratchpad area.

The display driver creates and manages two BLT buffers from within the scratchpad area. These BLT buffers are used to transfer source data from system memory into the frame buffer, or for destination data from system memory

or the frame buffer. The graphics pipeline accesses the BLT buffers for many common operations, including Bit-Plane transfers, output primitives, and raster text. Display drivers also use a small portion of the scratchpad as an extended register file, since scratchpad read and write accesses are very fast compared to normal memory operations.

The virtualization software uses the scratchpad area to store critical SMM information, including the SMI header and SMM system state. No SMM code currently resides in the scratchpad area, although this is an option for future products.

When the BLT buffer pointer is used (refer to Table 4-8 on page 99) addresses outside the scratchpad range will wrap around back into the scratchpad RAM. Table 4-5 shows the allocation of scratchpad memory for the 2 KB and 3 KB configurations of the scratchpad. The 2 KB configuration uses GX_BASE+0800h to GX_BASE+1000h. The 3 KB configuration uses GX_BASE+0400h to GX_BASE+1000h. These configurations are fixed by the system BIOS during boot and cannot be changed without rebooting the system.

Table 4-5. Scratchpad Organization

2 KB Configuration		3 KB Configuration		Description
Offset	Size	Offset	Size	
GX_BASE + 0EE0h	288 bytes	GX_BASE + 0EE0h	288 bytes	SMM scratchpad
GX_BASE + 0E60h	128 bytes	GX_BASE + 0E60h	128 bytes	Driver scratchpad
GX_BASE + 0B30h	816 bytes	GX_BASE + 0930h	1328 bytes	BLT Buffer 0
GX_BASE + 0800h	816 bytes	GX_BASE + 0400h	1328 bytes	BLT Buffer 1

Integrated Functions (Continued)

4.1.5 Display Driver Instructions

The GXm processor has four instructions to access processor core registers. Table 4-6 shows these instructions.

Adding CPU instructions does not create a compatibility problem for applications that may depend on receiving illegal opcode traps. The solution is to make these instructions generate an illegal opcode trap unless a compatibility bit is explicitly set. The GXm processor uses the scratchpad size field (bits [3:2] in GCR, Index B8h) to

enable or disable all of the graphics instructions. If the scratchpad size bits are zero, meaning that none of the cache is defined as scratchpad, then hardware will assume that the graphics controller is not being used and the graphics instructions will be disabled. Any other scratchpad size will enable all of the new instructions. Note that the base address of the memory map in the GCR register can still be set up to allow access to the memory controller registers.

Table 4-6. Display Driver Instructions

Syntax	Opcode	Description
BB0_RESET	0F3A	Reset the BLT Buffer 0 pointer to the base.
BB1_RESET	0F3B	Reset the BLT Buffer 1 pointer to the base.
CPU_WRITE	0F3C	Write data to CPU internal register.
CPU_READ	0F3D	Read data from CPU internal register.

Integrated Functions (Continued)

4.1.6 CPU_READ/CPU_WRITE Instructions

The GXm processor has several internal registers that control the BLT buffer and power management circuitry in the dedicated cache subsystem. To avoid adding additional instructions to read and write these registers, the GXm processor has a general mechanism to access internal CPU registers with reasonable performance. The GXm processor has two special instructions to read and write CPU registers: CPU_READ and CPU_WRITE. Both instructions fetch a 32-bit register address from *EBX* as shown in Table 4-7 and Table 4-8. CPU_WRITE uses *EAX* for the source data, and CPU_READ uses *EAX* as the

destination. Both instructions always transfer 32 bits of data.

These instructions work by initiating a special I/O transaction where the high address bit is set. This provides a very large address space for internal CPU registers.

The BLT buffer base registers define the starting physical addresses of the BLT buffers located within the dedicated L1 cache. The dedicated cache can be configured for up to 4 KB, so 12 address bits are required for each base address.

Table 4-7. CPU-Access Instructions

Syntax	Opcode	Registers	Length
CPU_WRITE	0F3Ch	EBX = 32-bit address, EAX = Source	2 bytes
CPU_READ	0F3Dh	EBX = 32-bit address, EAX = Destination	2 bytes

Table 4-8. Address Map for CPU-Access Registers

Register	EBX Address	Description
L1_BB0_BASE	FFFFFF0Ch	BLT Buffer 0 base address (see Table 4-4 on page 96).
L1_BB1_BASE	FFFFFF1Ch	BLT Buffer 1 base address (see Table 4-4 on page 96).
L1_BB0_POINTER	FFFFFF2Ch	BLT Buffer 0 pointer address (see Table 4-4 on page 96).
L1_BB1_POINTER	FFFFFF3Ch	BLT Buffer 1 pointer address (see Table 4-4 on page 96).
PM_BASE	FFFFFF6Ch	Power management base address (see Table 6-3 on page 181).
PM_MASK	FFFFFF7Ch	Power management address mask (see Table 6-3 on page 181).

Integrated Functions (Continued)

4.2 INTERNAL BUS INTERFACE UNIT

The Geode GXm processor's internal bus interface unit provides control and interface functions to the internal C-Bus (processor core, FPU, graphics pipeline, and L1 cache) and X-Bus (PCI controller, display controller, memory controller, and graphics accelerator) paths, provides control for several sections of memory, and plays an important part in the virtual VGA function.

The internal bus interface unit performs, without loss of compatibility, the functions that previously required the external pins IGNNE# and A20M#.

The internal bus interface unit provides configuration control for up to 20 different regions within system memory. It provides 19 configurable memory regions in the address space between 640 KB and 1 MB, with separate control for read access, write access, cacheability, and PCI access.

The memory configuration control includes a top-of-memory register and hardware support for VGA emulation plus, the capability to program 20 regions of the memory map for different ROM configurations, and to locate memory-mapped I/O.

4.2.1 FPU Error Support

The FERR# (floating point error) and IGNNE# (ignore numeric error) pins of the 486 microprocessor have been replaced with an IRQ13 (interrupt request 13) pin. In DOS systems, FPU errors are reported by the external vector 13. This mode of operation is specified by clearing the NE bit (bit 5) in the CR0 register. If the NE bit is active, the IRQ13 output of the GXm processor is always driven inactive. If the NE bit is cleared, the GXm processor drives IRQ13 active when the ES bit (bit 7) in the FPU Status Register is set high. Software must respond to this interrupt with an OUT instruction of an 8-bit operand to F0h or F1h. When the OUT cycle occurs, the IRQ13 pin is driven inactive and the FPU starts ignoring numeric errors. When the ES bit is cleared, the FPU resumes monitoring numeric errors.

4.2.2 A20M Support

The GXm processor provides an A20M bit in the BC_XMAP_1 Register (GX_BASE+ 8004h[21]) to replace the A20M# pin on the 486 microprocessor. When the A20M bit is set high, all non-SMI accesses will have address bit 20 forced to zero. External hardware must do an SMI trap on I/O locations that toggle the A20M# pin. The SMI software can then change the A20M bit as desired.

This maintains compatibility with software that depends on wrapping the address at bit 20.

4.2.3 SMI Generation

The internal bus interface unit can generate SMI interrupts whenever an I/O cycle in the VGA address range is 3B0h-3BFh and 3C0h-3CFh. An I/O cycle to 3D0h-3DFh can be trapped. In case an external VGA card is present, the Internal Bus Interface Unit default values will not generate an interrupt on VGA accesses. (Refer to Section 5.2.3.1 "SMI Generation" on page 168 for instructions on how to configure the registers to generate the SMI interrupt.)

4.2.4 640 KB to 1 MB Region

There are 19 configurable memory regions located between 640 KB and 1 MB. Three of the regions are A0000h-AFFFFh, B0000h-B7FFFh, and B8000h-BFFFFh. The area between C0000h and FFFFFh is divided into 16 KB segments to form the remaining 16 regions. Each of these regions has four control bits to allow any combination of read-access, write-access, cache, and PCI-access capabilities (Table 4-11 on page 102).

In addition, each of the three regions defined in the A0000h-BFFFFh area of memory has a VGA control bit that can cause the graphics pipeline to handle accesses to that section of memory (see Table 5-3 on page 170).

Integrated Functions (Continued)

4.2.5 Internal Bus Interface Unit Registers

The Internal Bus Interface Unit maps 100h locations starting at GX_BASE+8000h. Refer to Section 4.1.2 “Control Registers” on page 94 for instructions on accessing these registers.

Table 4-9 summarizes the four 32-bit registers contained in the Internal Bus Interface Unit and Table 4-10 gives the register/bit formats.

Table 4-9. Internal Bus Interface Unit Register Summary

GX_BASE+ Memory Offset	Type	Name/Function	Default Value
8000h-8003h	R/W	BC_DRAM_TOP Top of DRAM: Contains the highest available address of system memory not including the memory that is set aside for graphics memory, which corresponds to 1 GByte of memory. The largest possible value for the register is 3FFFFFFh.	3FFFFFFh
8004h-8007h	R/W	BC_XMAP_1 Memory X-Bus Map Register 1 (A and B Region Control): Contains the region control of the A and B regions and the SMI controls required for VGA emulation. PCI access to internal registers and the A20M function are also controlled by this register.	00000000h
8008h-800Bh	R/W	BC_XMAP_2 Memory X-Bus Map Register 2 (C and D Region Control): Contains region control fields for eight regions in the address range C0h through DCh.	00000000h
800Ch-800Fh	R/W	BC_XMAP_3 Memory X-Bus Map Register 3 (E and F Region Control): Contains the region control fields for memory regions in the address range E0h through FCh.	00000000h

Table 4-10. Internal Bus Interface Unit Registers

Bit	Name	Description
GX_BASE+8000h-8003h		BC_DRAM_TOP Register (R/W) Default Value = 3FFFFFFh
31:30	RSVD	Reserved: Set to 0.
29:17	TOP OF DRAM	Top of DRAM: Maximum value is FFFh.
16:0	1FFFF	Granularity: Must be set to 1FFFFh (128 KB).
GX_BASE+8004h-8007h		BC_XMAP_1 Register (R/W) Default Value = 00000000h
31:29	RSVD	Reserved: Set to 0.
28	GEB8	Graphics Enable for B8 Region: Allow memory R/W operations for address range B8000h-BFFFFh be directed to the graphics pipeline: 0 = Disable; 1 = Enable. (Used for VGA emulation.)
27:24	B8	B8 Region: Region control field for address range B8000h-BFFFFh. Note: Refer to Table 4-11 for decode.
23	RSVD	Reserved: Set to 0.
22	PRAE	PCI Register Access Enable: Allow PCI Slave to access internal registers on the X-Bus: 0 = Disable; 1 = Enable.
21	A20M	Address Bit 20 Mask: Address bit 20 is always forced to a zero except for SMI accesses: 0 = Disable; 1 = Enable.
20	GEB0	Graphics Enable for B0 Region: Allow memory R/W operations for address range B0000h-B7FFFh be directed to the graphics pipeline: 0 = Disable; 1 = Enable. (Used for VGA emulation.)
19:16	B0	B0 Region: Region control field for address range B0000h-B7FFFh. Note: Refer to Table 4-11 for decode.
15	SMID	SMID: All I/O accesses for address range 3D0h-3DFh generate an SMI: 0 = Disable; 1 = Enable. (Used for VGA virtualization.)
14	SMIC	SMIC: All I/O accesses for address range 3C0h-3CFh generate an SMI: 0 = Disable; 1 = Enable. (Used for VGA virtualization.)
13	SMIB	SMIB: All I/O accesses for address range 3B0h-3BFh generate an SMI: 0 = Disable; 1 = Enable (Used for VGA virtualization.)

Integrated Functions (Continued)

Table 4-10. Internal Bus Interface Unit Registers (Continued)

Bit	Name	Description
12:8	RSVD	Reserved: Set to 0.
7	XPD	X-Bus Pipeline Disable: When cleared, the address for the next cycle can be driven on the internal X-Bus before the completion of the data phase of the current cycle.
6	GNWS	X-Bus Graphics Pipe No Wait State: Data driven on X-Bus from graphics pipeline: 0 = 1 full clock before X_DSX is asserted 1 = On the same clock in which X_RDY is asserted
5	XNWS	X-Bus No Wait State: Data driven on X-Bus from Internal Bus Interface Unit: 0 = 1 full clock before X_DSX is asserted 1 = On the same clock in which X_RDY is asserted
4	GEA	Graphics Enable for A Region: Memory R/W operations for address range A0000h-AFFFFh are directed to the graphics pipeline: 0 = Disable; 1 = Enable. (Used for VGA emulation.)
3:0	A0	A0 Region: Region control field for address range A0000h-AFFFFh. Note: Refer to Table 4-11 for decode.

GX_BASE+8008h-800Bh	BC_XMAP_2 Register (R/W)	Default Value = 00000000h
----------------------------	---------------------------------	----------------------------------

31:28	DC	DC Region: Region control field for address range DC000h to DFFFFh.
27:24	D8	D8 Region: Region control field for address range D8000h to DBFFFh.
23:20	D4	D4 Region: Region control field for address range D4000h to D7FFFh.
19:16	D0	D0 Region: Region control field for address range D0000h to D3FFFh.
15:12	CC	CC Region: Region control field for address range CC000h to CFFFFh.
11:8	C8	C8 Region: Region control field for address range C8000h to CBFFFh.
7:4	C4	C4 Region: Region control field for address range C4000h to C7FFFh.
3:0	C0	C0 Region: Region control field for address range C0000h to C3FFFh.

Note: Refer to Table 4-11 for decode.

GX_BASE+800Ch-800Fh	BC_XMAP_3 Register (R/W)	Default Value = 00000000h
----------------------------	---------------------------------	----------------------------------

31:28	FC	FC Region: Region control field for address range FC000h to FFFFFh.
27:24	F8	F8 Region: Region control field for address range F8000h to FBFFFh.
23:20	F4	F4 Region: Region control field for address range F4000h to F7FFFh.
19:16	F0	F0 Region: Region control field for address range F0000h to F3FFFh.
15:12	EC	EC Region: Region control field for address range EC000h to EFFFFh.
11:8	E8	E8 Region: Region control field for address range E8000h to EBFFFh.
7:4	E4	E4 Region: Region control field for address range E4000h to E7FFFh.
3:0	E0	E0 Region: Region control field for address range E0000h to E3FFFh.

Note: Refer to Table 4-11 for decode.

Table 4-11. Region-Control-Field Bit Definitions

Bit Position	Function
3	PCI Accessible: The PCI slave can access this memory if this bit is set high and if the appropriate Read or Write Enable bit is also set high.
2	Cache Enable: Caching this region of memory is inhibited if this bit is cleared.
1	Write Enable: Write operations to this region of memory are allowed if this bit is set high. If this bit is cleared, then write operations in this region are directed to the PCI master.
0	Read Enable: Read operations to this region of memory are allowed if this bit is set high. If this bit is cleared then read operations in this region are directed to the PCI master.

Note: If Cache Enable = 1 and Write Enable = 1, the Write Enable determination occurs after the data has passed the cache. Since the cache does write update, write data will change the cache if the address is cached. If a read then occurs to that address, the data will come from the written data that is in the cache even though the address is not writable. If this must be avoided then do not make the region cacheable.

Integrated Functions (Continued)

4.3 MEMORY CONTROLLER

The memory controller operates with the Processor Interface (X-Bus), Display Controller Interface, Graphics Pipeline Interface, and the SDRAM Interface.

The GXm processor supports LVTTTL (low voltage TTL) technology. LVTTTL technology allows the SDRAM interface of the memory controller to run at frequencies up to 100 MHz.

The SDRAM clock is a function of the core clock. The SDRAM bus can be run at speeds that range between 66

MHz and 100 MHz. The core clock can be divided down from two to five in half clock increments to generate the SDRAM clock. SDRAM frequencies between 79 MHz and 100 MHz are only supported for certain types of closed systems and strict design rules must be adhered to. For further details, please contact your local National Semiconductor technical support representative.

A basic block diagram of the memory controller is shown in Figure 4-3.

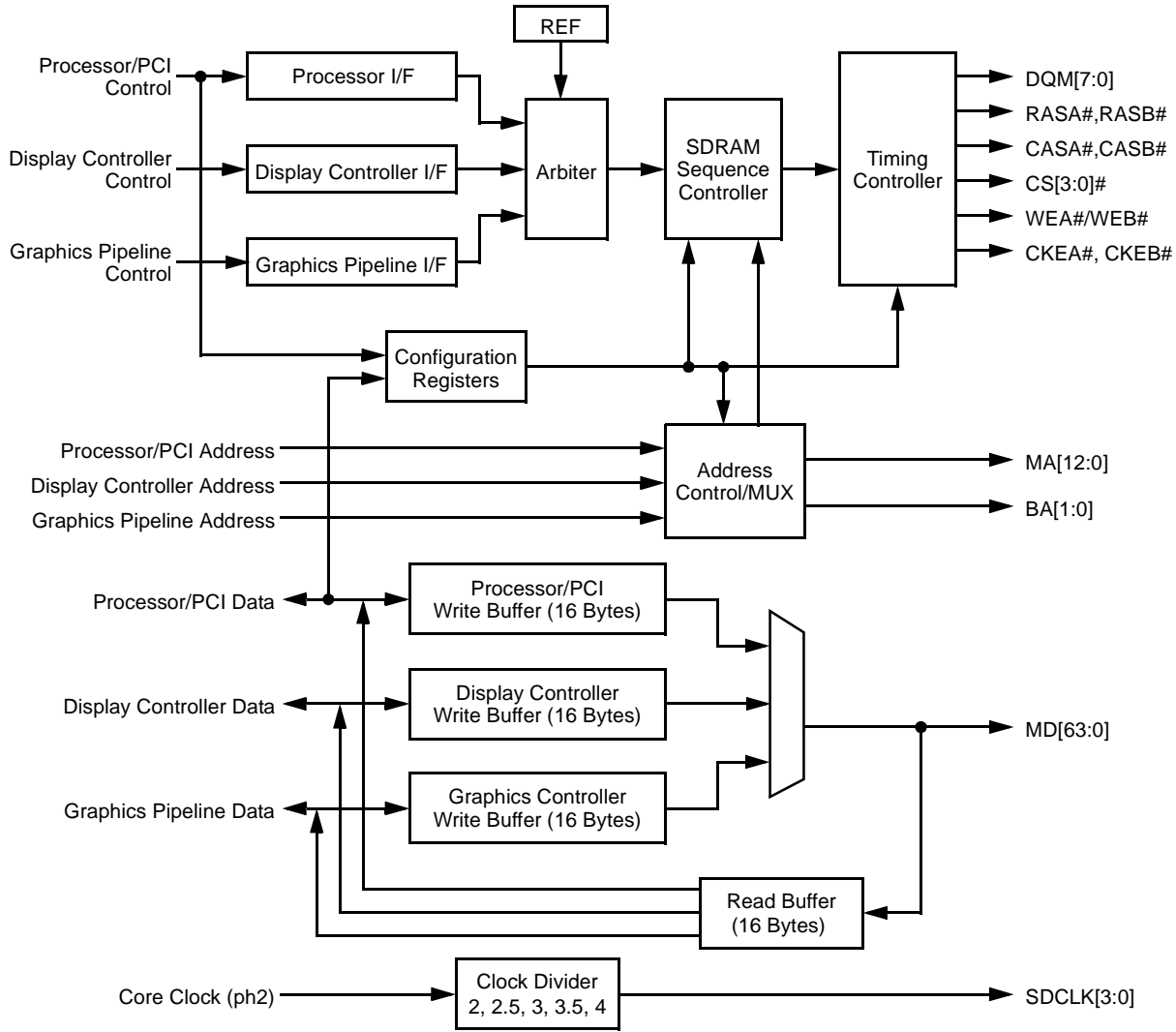


Figure 4-3. Memory Controller Block Diagram

Integrated Functions (Continued)

4.3.1 Memory Array Configuration

The memory controller supports up to two 64-bit, 168-pin unbuffered SDRAM modules (DIMM). Each DIMM receives a unique set of RAS, CAS, WE, and CKE lines. Each DIMM can have one or two 64-bit DIMM banks. Each DIMM bank is selected by a unique chip select (CS). There are four chip select signals to choose between a total of four DIMM banks. Each DIMM bank also receives a unique SDCLK. Each DIMM bank can have two or four

component banks. Component bank selection is done through the bank address (BA) lines.

For example, 16 Mb SDRAMs have two component banks and 64 Mb SDRAMs have two or four component banks. For single DIMM bank modules, the memory controller can support two DIMMS with a maximum of eight component banks. For dual DIMM bank modules, the memory controller can support two DIMMS with a maximum of 16 component banks. Up to 16 banks can be open at the same time.

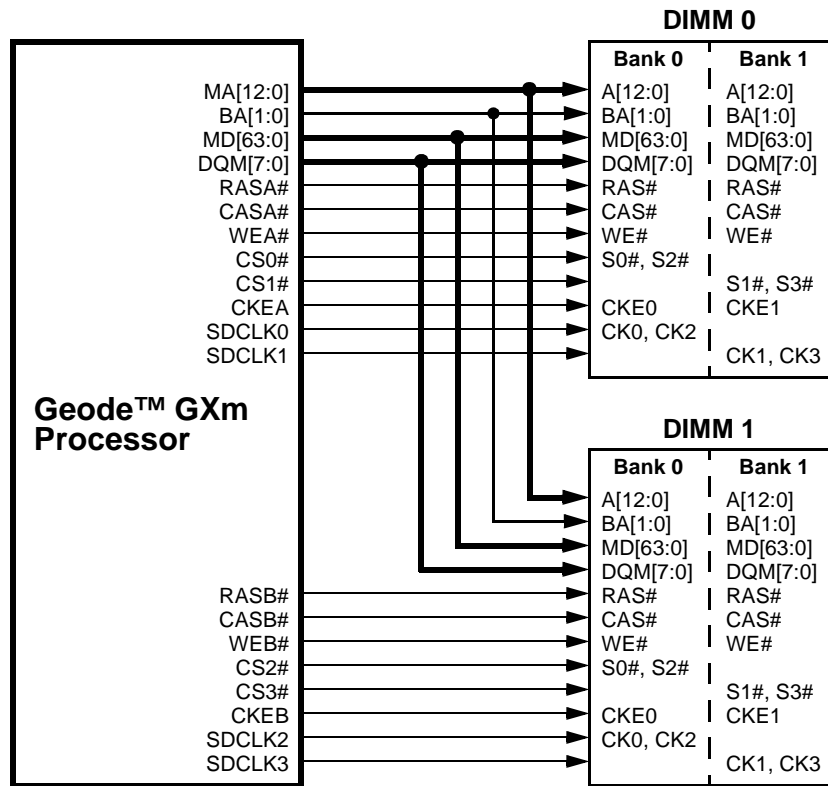


Figure 4-4. Memory Array Configuration

Integrated Functions (Continued)

4.3.2 Memory Organizations

The memory controller supports JEDEC standard synchronous DRAMs in 16 Mb and 64 Mb configurations. Supported configurations are shown in Table 4-12.

Table 4-12. Synchronous DRAM Configurations

Depth	Organization	Row Address	Column Address	Bank Address	Total # of Address bits
1	1 Mx16	A10-A0	A7-A0	BA0	20
2	2 Mx8	A10-A0	A8-A0	BA0	21
	2 Mx32	A10-A0	A7-A0	BA1-BA0	21
	2 Mx32	A10-A0	A8-A0	BA0	21
	2 Mx32	A11-A0	A6-A0	BA1-BA0	21
	2 Mx32	A12-A0	A6-A0	BA0	21
4	4 Mx4	A10-A0	A9-A0	BA0	22
	4 Mx16	A11-A0	A7-A0	BA1-BA0	22
	4 Mx16	A12-A0	A7-A0	BA0	22
	4 Mx16	A10-A0	A9-A0	BA0	22
8	8 Mx8	A11-A0	A8-A0	BA1-BA0	23
	8 Mx8	A12-A0	A8-A0	BA0	23
	8 Mx32	A11-A0	A8-A0	BA1-BA0	23
	8 Mx32	A12-A0	A7-A0	BA1-BA0	23
16	16 Mx4	A11-A0	A9-A0	BA1-BA0	24
	16 Mx4	A12-A0	A9-A0	BA0	24
	16 Mx16	A12-A0	A8-A0	BA1-BA0	24
	16 Mx16	A11-A0	A9-A0	BA1-BA0	24
32	32 Mx8	A12-A0	A9-A0	BA1-BA0	25
64	64 Mx4	A12-A0	A9-A0,A11	BA1-BA0	26

Integrated Functions (Continued)

4.3.3 SDRAM Commands

This subsection discusses the SDRAM commands supported by the memory controller. Table 4-13 summarizes these commands followed by detailed operational information regarding each command.

Table 4-13. Basic Command Truth Table

Name	Command	CS	RAS	CAS	WE
MRS	Mode Register Set	L	L	L	L
PRE	Bank Precharge	L	L	H	L
ACT	Bank activate/row-address entry	L	L	H	H
WRT	Column address entry/Write operation	L	H	L	L
READ	Column address entry/Read operation	L	H	L	H
DESL	Control input inhibit/No operation	H	X	X	X
REFR*	CBR Refresh or Auto Refresh	L	L	L	H

Note: *This command is CBR (CAS-before-RAS) refresh when CKE is high and self refresh when CKE is low.

MRS — The Mode Register command defines the specific mode of operation of the SDRAM. This definition includes the selection of burst length, burst type, and CAS latency. CAS latency is the delay, in clock cycles, between the registration of a read command and the availability of the first piece of output data.

The burst length is programmed by address bits MA[2:0], the burst type by address bit MA3 and the CAS latency by address bits MA[6:4].

The memory controller only supports a burst length of two and burst type of interleave.

The field value on MA[12:0] and BA[1:0] during the MRS cycle are as shown in Table 4-14.

PRE — The precharge command is used to deactivate the open row in a particular bank or the open row in both component banks. Address pin MA10 determines whether one or both banks are to be precharged. In the case where only one component bank is to be precharged, BA[1:0] selects which bank. Once a bank has been precharged, it is in the Idle state and must be activated prior to any read or write commands.

Table 4-14. Address Line Programming during MRS Cycles

BA[1:0]	MA[12:7]	MA[6:4]	MA3	MA2	MA1	MA0
00	000000	CAS Latency: 000 = Reserved 010 = 2 CLK 100 = 4 CLK 110 = 6 CLK 001 = 1 CLK 011 = 3 CLK 101 = 5 CLK 111 = 7 CLK	1	0	0	1

Integrated Functions (Continued)

ACT — The activate command is used to open a row in a particular bank for a subsequent access. The value on the BA lines selects the bank, and the address on the MA lines selects the row. This row remains open for accesses until a precharge command is issued to that bank. A precharge command must be issued before opening a different row in the same bank.

READ — The read command is used to initiate a burst read access to an active row. The value on the BA lines select the component bank, and the address provided by the MA lines select the starting column location. The memory controller does not perform auto precharge during read operations. Valid data-out from the starting column address is available following the CAS latency after the read command. The DQM signals are asserted low during read operations.

WRT — The write command is used to initiate a burst write access to an active row. The value on the BA lines select the component bank, and the address provided by the MA lines select the starting column location. The memory controller does not perform auto precharge during write operations. This leaves the page open for subsequent accesses. Data appearing on the MD lines is written to the DQM logic level appearing coincident with the data. If the DQM signal is registered low, the corresponding data will be written to memory. If the DQM is driven high, the corresponding data will be ignored, and a write will not be executed to that location.

REF — Auto refresh is used during normal operation and is analogous to the CAS-before-RAS (CBR) refresh in conventional DRAMs. During auto refresh the address bits are "don't care". The memory controller precharges all banks prior to an auto refresh cycle. Auto refresh cycles are issued approximately 15 μ s apart.

The self refresh command is used to retain data in the SDRAMs even when the rest of the system is powered down. The self refresh command is similar to an auto refresh command except CKE is disabled (low). The memory controller issues a self refresh command during 3V Suspend mode when all the internal clocks are stopped.

4.3.3.1 SDRAM Initialization Sequence

After the clocks have started and stabilized, the memory controller SDRAM initialization sequence begins:

- 1) Precharge all component banks
- 2) Perform eight refresh cycles
- 3) Perform an MRS cycle
- 4) Perform eight refresh cycles

This sequence is compatible with the majority of SDRAMs available from the various vendors.

Integrated Functions (Continued)

4.3.4 Memory Controller Register Description

The Memory Controller maps 100h locations starting at GX_BASE+8400h. Refer to Section 4.1.2 “Control Registers” on page 94 for instructions on accessing these registers.

Table 4-15 summarizes the 32-bit registers contained in the memory controller. Table 4-16 gives detailed register/bit formats.

Table 4-15. Memory Controller Register Summary

GX_BASE+ Memory Offset	Type	Name/Function	Default Value
8400h-8403h	R/W	MC_MEM_CNTRL1 Memory Controller Control Register 1: Memory controller configuration information e.g., refresh interval, SDCLK ratio, etc.	248C0040h
8404h-8407h	R/W	MC_MEM_CNTRL2 Memory Controller Control Register 2: Memory controller configuration information to control SDCLK.	00000801h
8408h-840Bh	R/W	MC_BANK_CFG Memory Controller Bank Configuration: Contains the configuration information for the each of the two DIMMs in the memory array. BIOS programs this register during boot by running an autosizing routine on the memory.	41104110h
840Ch-840Fh	R/W	MC_SYNC_TIM1 Memory Controller Synchronous Timing Register 1: SDRAM memory timing information - This register controls the memory timing of all four banks of DRAM. BIOS programs this register based on the processor frequency and the SDCLK divide ratio.	2A733225h
8414h-8417h	R/W	MC_GBASE_ADD Memory Controller Graphics Base Address Register: This register sets the graphics memory base address, which is programmable on 512 KB boundaries. The display controller and the graphics pipeline generate a 20-bit DWORD offset that is added to the graphics memory base address to form the physical memory address. Typically, the graphics memory region is located at the top of physical memory.	00000000h
8418h-841Bh	R/W	MC_DR_ADD Memory Controller Dirty RAM Address Register: This register is used to set the Dirty RAM address index for processor diagnostic access. This register should be initialized before accessing the MC_DR_ACC register	00000000h
841Ch-841Fh	R/W	MC_DR_ACC Memory Controller Dirty RAM Access Register: This register is used to access the Dirty RAM. A read/write to this register will access the Dirty RAM at the address specified in the MC_DR_ADD register.	0000000xh

Table 4-16. Memory Controller Registers

Bit	Name	Description
GX_BASE+ 8400h-8403h		MC_MEM_CNTRL1 (R/W) Default Value = 248C0040h
31:29	MDHDCTL	MD High Drive Control: Controls the high drive and slew rate of the memory data bus (MD[63:0]): 000 = Tristate 001 = Smallest drive strength 010 -110 = Represents gradual drive strength increase 111 = Highest drive strength
28:26	MABHDCTL	MA/BA High Drive Control: Controls the high drive and slew rate of the memory address bus including the memory bank address bus (MA[12:0] and BA[1:0]): 000 = Tristate 001 = Smallest drive strength 010 -110 = Represents gradual drive strength increase 111 = Highest drive strength

Integrated Functions (Continued)

Table 4-16. Memory Controller Registers (Continued)

Bit	Name	Description
25:23	MEMHDCTL	Control High Drive/Slew Control: Controls the high drive and slew rate of the memory control signals (CASA#, CASB#, RASA#, RASB#, CKEA, CKEB, WEA#, WEA#, DQM[7:0], and CS[3:0]#): 000 = Tristate 001 = Smallest drive strength 010 -110 = Represents gradual drive strength increase 111 = Highest drive strength
22	RSVD	Reserved: Set to 0.
21	RSVD	Reserved: Must be set to 0. Wait state on the X-Bus x_data during read cycles - for debug only.
20:18	SDCLKRATE	SDRAM Clock Ratio: Selects SDRAM clock ratio: 000 = Reserved 001 = ÷ 2 010 = ÷ 2.5 011 = ÷ 3 (Default) 100 = ÷ 3.5 101 = ÷ 4 110 = ÷ 4.5 111 = ÷ 5 Ratio does not take effect until the SDCLKSTRT bit (bit 17 of this register) transitions from 0 to 1.
17	SDCLKSTRT	Start SDCLK: Start operating SDCLK using the new ratio and shift value (selected in bits [20:18] of this register): 0 = Clear; 1 = Enable. This bit should be cleared every time before a one is written to it in order to start SDCLK or to change the shift value.
16:8	RFSHRATE	Refresh Interval: This field determines the number of processor core clocks multiplied by 64 between refresh cycles to the DRAM. By default, the refresh interval is 00h. This implies that refresh is turned off by default.
7:6	RFSHSTAG	Refresh Staggering: This field determines number of clocks between REF commands to different banks during refresh cycles: 00 = 0 SDRAM clocks 01 = 1 SDRAM clocks (Default) 10 = 2 SDRAM clocks 11 = 4 SDRAM clocks Staggering is used to help reduce power spikes during refresh. When only DIMM0 is installed and it has only one DIMM bank, then this field must be set to 00.
5	2CLKADDR	Two Clock Address Setup: Assert memory address for one extra clock before CS# is asserted: 0 = Disable; 1 = Enable. This can be used to compensate for address setup at high frequencies.
4	RFSHTST	Test Refresh: This bit, when set high, generates a refresh request. This bit is only used for testing purposes.
3	XBUSARB	X-Bus Round Robin: When enabled, processor requests are arbitrated at the same priority level than graphics pipeline requests and non-critical display controller requests. When disabled, processor requests are arbitrated at a higher priority level. High priority display controller requests always have the highest arbitration priority: 0 = Enable; 1 = Disable.
2	VGAWRP	VGA Wrap Enable: Allow memory wrapping into the VGA memory address space from A0000h to BFFFFh: 0 = Disable; 1 = Enable.
1	RSVD	Reserved: Set to 0.
0	SDRAMPRG	Program SDRAM: When this bit is set the memory controller will program the SDRAM MRS register using LTMODE in MC_SYNC_TIM1. This bit should be cleared every time before a one is written to it in order to program the SDRAM.
GX_BASE+8404h-8407h		
MC_MEM_CNTRL2 (R/W)		Default Value = 0000801h
31:18	RSVD	Reserved: Set to 0.
17:16	SDCLKRISE	SDCLK Rising Delay: Controls the delay between the core clock and the rising edge of SDCLK during all modes. (Set by BIOS.)
15:14	SDCLKFALL	SDCLK Falling Delay: Controls the delay between the core clock and the falling edge of SDCLK during 2.5 and 3.5 clock modes. (Set by BIOS.)
13:11	SDCLKHDCTL	SDCLK High Drive/Slew Control: Controls the high drive and slew rate of SDCLK[3:0] and SDCLK_OUT. 000 = Highest drive strength. (No braking applied in the pads) 001 = Smallest drive strength 010 -110 = Represent gradual drive strength increase 111 = Highest drive strength
10	SDCLKOMSK	Mask SDCLK_OUT: 0 = Not masked; 1 = Mask.

Integrated Functions (Continued)

Table 4-16. Memory Controller Registers (Continued)

Bit	Name	Description								
9	SDCLK3MSK	Mask SDCLK3: 0 = Not masked; 1 = Mask.								
8	SDCLK2MSK	Mask SDCLK2: 0 = Not masked; 1 = Mask								
7	SDCLK1MSK	Mask SDCLK1: 0 = Not masked; 1 = Mask.								
6	SDCLK0MSK	Mask SDCLK0: 0 = Not masked; 1 = Mask								
5:3	SHFTSDCLK	<p>Shift SDCLK: This function allows shifting SDCLK to meet SDRAM setup and hold time requirements. The shift function will not take effect until the SDCLKSTRT bit (bit 17 of MC_MEM_CNTRL1) transitions from 0 to 1:</p> <table> <tr> <td>000 = No shift</td> <td>100 = Shift 2 core clocks</td> </tr> <tr> <td>001 = Shift 0.5 core clock</td> <td>101 = Shift 2.5 core clocks</td> </tr> <tr> <td>010 = Shift 1 core clock</td> <td>110 = Shift 3 core clocks</td> </tr> <tr> <td>011 = Shift 1.5 core clock</td> <td>111 = Reserved</td> </tr> </table> <p>Note: Refer to Figure 4-10 for an example of SDCLK shifting.</p>	000 = No shift	100 = Shift 2 core clocks	001 = Shift 0.5 core clock	101 = Shift 2.5 core clocks	010 = Shift 1 core clock	110 = Shift 3 core clocks	011 = Shift 1.5 core clock	111 = Reserved
000 = No shift	100 = Shift 2 core clocks									
001 = Shift 0.5 core clock	101 = Shift 2.5 core clocks									
010 = Shift 1 core clock	110 = Shift 3 core clocks									
011 = Shift 1.5 core clock	111 = Reserved									
2	RSVD	Reserved: Set to 0.								
1	RD	Read Data Phase: Selects if read data is latched one or two core clock after the rising edge of SDCLK: 0 = 1 core clock; 1 = 2 core clocks.								
0	FSTRDMSK	Fast Read Mask: Do not allow core reads to bypass the request FIFO: 0 = Disable; 1 = Enable.								
GX_BASE+8408h-840Bh										
MC_BANK_CFG (R/W)		Default Value = 41104110h								
31	RSVD	Reserved: Set to 0.								
30	DIMM1_MOD_BNK	<p>DIMM1 Module Banks: Selects the number of module banks per DIMM for DIMM1:</p> <p>0 = 1 Module bank 1 = 2 Module banks</p>								
29	RSVD	Reserved: Set to 0.								
28	DIMM1_COMP_BNK	<p>DIMM1 Component Banks: Selects the number of component banks per module bank for DIMM1:</p> <p>0 = 2 Component banks 1 = 4 Component banks</p>								
27	RSVD	Reserved: Set to 0.								
26:24	DIMM1_SZ	<p>DIMM1 Size: Selects the size of DIMM1:</p> <table> <tr> <td>000 = 4 MB</td> <td>010 = 16 MB</td> <td>100 = 64 MB</td> <td>110 = 256 MB</td> </tr> <tr> <td>001 = 8 MB</td> <td>011 = 32 MB</td> <td>101 = 128 MB</td> <td>111 = 512 MB</td> </tr> </table>	000 = 4 MB	010 = 16 MB	100 = 64 MB	110 = 256 MB	001 = 8 MB	011 = 32 MB	101 = 128 MB	111 = 512 MB
000 = 4 MB	010 = 16 MB	100 = 64 MB	110 = 256 MB							
001 = 8 MB	011 = 32 MB	101 = 128 MB	111 = 512 MB							
23	RSVD	Reserved: Set to 0.								
22:20	DIMM1_PG_SZ	<p>DIMM1 Page Size: Selects the page size of DIMM1:</p> <table> <tr> <td>000 = 1 KB</td> <td>010 = 4 KB</td> <td>1xx = 16 KB</td> </tr> <tr> <td>001 = 2 KB</td> <td>011 = 8 KB</td> <td>111 = DIMM1 not installed</td> </tr> </table> <p>When DIMM1 is not installed, program all other DIMM1 fields to 0.</p>	000 = 1 KB	010 = 4 KB	1xx = 16 KB	001 = 2 KB	011 = 8 KB	111 = DIMM1 not installed		
000 = 1 KB	010 = 4 KB	1xx = 16 KB								
001 = 2 KB	011 = 8 KB	111 = DIMM1 not installed								
19:15	RSVD	Reserved: Set to 0.								
14	DIMM0_MOD_BNK	<p>DIMM0 Module Banks: Selects number of module banks per DIMM for DIMM0:</p> <p>0 = 1 Module bank 1 = 2 Module banks</p>								
13	RSVD	Reserved: Set to 0.								
12	DIMM0_COMP_BNK	<p>DIMM0 Component Banks: Selects the number of component banks per module bank for DIMM0:</p> <p>0 = 2 Component banks 1 = 4 Component banks</p>								
11	RSVD	Reserved: Set to 0.								
10:8	DIMM0_SZ	<p>DIMM0 Size: Selects the size of DIMM0:</p> <table> <tr> <td>000 = 4 MB</td> <td>010 = 16 MB</td> <td>100 = 64 MB</td> <td>110 = 256 MB</td> </tr> <tr> <td>001 = 8 MB</td> <td>011 = 32 MB</td> <td>101 = 128 MB</td> <td>111 = 512 MB</td> </tr> </table>	000 = 4 MB	010 = 16 MB	100 = 64 MB	110 = 256 MB	001 = 8 MB	011 = 32 MB	101 = 128 MB	111 = 512 MB
000 = 4 MB	010 = 16 MB	100 = 64 MB	110 = 256 MB							
001 = 8 MB	011 = 32 MB	101 = 128 MB	111 = 512 MB							
7	RSVD	Reserved: Set to 0.								
6:4	DIMM0_PG_SZ	<p>DIMM0 Page Size: Selects the page size of DIMM0:</p> <table> <tr> <td>000 = 1 KB</td> <td>010 = 4 KB</td> <td>1xx = 16 KB</td> </tr> <tr> <td>001 = 2 KB</td> <td>011 = 8 KB</td> <td>111 = DIMM0 not installed</td> </tr> </table> <p>When DIMM0 is not installed, program all other DIMM0 fields to 0.</p>	000 = 1 KB	010 = 4 KB	1xx = 16 KB	001 = 2 KB	011 = 8 KB	111 = DIMM0 not installed		
000 = 1 KB	010 = 4 KB	1xx = 16 KB								
001 = 2 KB	011 = 8 KB	111 = DIMM0 not installed								
3:0	RSVD	Reserved: Set to 0.								

Integrated Functions (Continued)

Table 4-16. Memory Controller Registers (Continued)

Bit	Name	Description
GX_BASE+840Ch-840Fh		MC_SYNC_TIM1 (R/W) Default Value = 2A733225h
31	RSVD	Reserved: Set to 0.
30:28	LTMODE	CAS Latency (LTMODE): CAS latency is the delay, in clock cycles, between the registration of a read command and the availability of the first piece of output data (BIOS interrogates EEPROM across the I ² C interface to determine this value): 000 = Reserved 010 = 2 CLK 100 = 4 CLK 110 = 6 CLK 001 = 1 CLK 011 = 3 CLK 101 = 5 CLK 111 = 7 CLK This field will not take effect until SDRAMPRG (bit 0 of MC_MEM_CNTRL1) transitions from 0 to 1. ERRATA: CAS Latency of 1 CLK is not currently supported.
27:24	RC	REF to REF/ACT Command Period (tRC): Minimum number of SDRAM clock between REF and REF/ACT commands: 0000 = Reserved 0100 = 5 CLK 1000 = 9 CLK 1100 = 13 CLK 0001 = 2 CLK 0101 = 6 CLK 1001 = 10 CLK 1101 = 14 CLK 0010 = 3 CLK 0110 = 7 CLK 1010 = 11 CLK 1110 = 15 CLK 0011 = 4 CLK 0111 = 8 CLK 1011 = 12 CLK 1111 = 16 CLK
23:20	RAS	ACT to PRE Command Period (tRAS): Minimum number of SDRAM clocks between ACT and PRE commands: 0000 = Reserved 0100 = 5 CLK 1000 = 9 CLK 1100 = 13 CLK 0001 = 2 CLK 0101 = 6 CLK 1001 = 10 CLK 1101 = 14 CLK 0010 = 3 CLK 0110 = 7 CLK 1010 = 11 CLK 1110 = 15 CLK 0011 = 4 CLK 0111 = 8 CLK 1011 = 12 CLK 1111 = 16 CLK
19	RSVD	Reserved: Set to 0.
18:16	RP	PRE to ACT Command Period (tRP): Minimum number of SDRAM clocks between PRE and ACT commands: 000 = Reserved 010 = 2 CLK 100 = 4 CLK 110 = 6 CLK 001 = 1 CLK 011 = 3 CLK 101 = 5 CLK 111 = 7 CLK
15	RSVD	Reserved: Set to 0.
14:12	RCD	Delay Time ACT to READ/WRT Command (tRCD): Minimum number of SDRAM clock between ACT and READ/WRT commands: 000 = Reserved 010 = 2 CLK 100 = 4 CLK 110 = 6 CLK 001 = 1 CLK 011 = 3 CLK 101 = 5 CLK 111 = 7 CLK
11	RSVD	Reserved: Set to 0.
10:8	RRD	ACT(0) to ACT(1) Command Period (tRRD): Minimum number of SDRAM clocks between ACT and ACT command to two different component banks within the same module bank. The memory controller does not perform back-to-back Activate commands to two different component banks without a READ or WIRTE command between them. Hence, this field should be set to 001.
7	RSVD	Reserved: Set to 0.
6:4	DPL	Data-in to PRE command period (tDPL): Minimum number of SDRAM clocks from the time the last write datum is sampled till the bank is precharged: 000 = Reserved 010 = 2 CLK 100 = 4 CLK 110 = 6 CLK 001 = 1 CLK 011 = 3 CLK 101 = 5 CLK 111 = 7 CLK
3:0	RSVD	Reserved: Set to 0 or leave unchanged.
GX_BASE+8414h-8417h		MC_GBASE_ADD (R/W) Default Value = 00000000h
31:18	RSVD	Reserved: Set to 0.
17	TE	Test Enable TEST[3:0]: 0 = TEST[3:0] are driven low 1 = TEST[3:0] pins are used to output test information
16	TECTL	Test Enable Shared Control Pins: 0 = RASB#, CASB#, CKEB, WEB# are driven low 1 = RASB#, CASB#, CKEB, WEB# are used to output test information
15:12	SEL	Select: This field is used for debug purposes only.
11	RSVD	Reserved: Set to 0.

Integrated Functions (Continued)

Table 4-16. Memory Controller Registers (Continued)

Bit	Name	Description
10:0	GBADD	Graphics Base Address: This field indicates the graphics memory base address, which is programmable on 512 KB boundaries. This field corresponds to address bits [29:19]. Note that BC_DRAM_TOP must be set to a value lower than the Graphics Base Address.
GX_BASE+8418h-841Bh		MC_DR_ADD (R/W) Default Value = 0000000h
31:10	RSVD	Reserved: Set to 0.
9:0	DRADD	Dirty RAM Address: This field is the address index that is used to access the Dirty RAM with the MC_DR_ACC register. This field does not auto increment.
GX_BASE+841Ch-841Fh		MC_DR_ACC (R/W) Default Value = 0000000xh
31:2	RSVD	Reserved: Set to 0.
1	D	Dirty Bit: This bit is read/write accessible.
0	V	Valid Bit: This bit is read/write accessible.

4.3.5 Address Translation

The memory controller supports two address translations depending on the method used to interleave pages.

4.3.5.1 High Order Interleaving

High Order Interleaving (HOI) uses the most significant address bits to select which bank the page is located in. This has the effect of allowing any mixture of DIMM types. However, it spreads the pages over wide address ranges. For example, two 8 MB DIMMs contain a total of four component pages. Two pages are together in one DIMM separated from the other two pages by 8 MB.

4.3.5.2 Low Order Interleaving

Low Order Interleaving (LOI) uses the least significant bits after the page bits to select which bank the page is located in. This requires that memory is a power of 2, that the number of banks is a power of 2, and that the page sizes are the same. In other words, the DIMMs have to be of the same type. However, LOI does give a good benefit by providing a moving page throughout memory. Using the same example as above, two banks would be on one DIMM and the next two banks would be on the second DIMM, but they would be linear in address space. For an eight bank system that has 1 KB address (8 KB data) pages, there would be an effective moving page of 64 KB of data.

4.3.5.3 Physical Address to DRAM Address Conversion

Auto LOI is in effect whenever the two DIMMs have the same number of DIMM banks, component banks, module sizes and page sizes.

Tables 4-17 and Table 4-18 on page 113 give Auto LOI address conversion examples when two DIMMs of the same size are used in a system. Table 4-17 shows a one DIMM bank conversion example, while Table 4-18 shows a two DIMM bank example.

Table 4-19 and Table 4-20 on page 114 give Non-Auto LOI address conversion examples when either one or two DIMMs of different sizes are used in a system. Table 4-19 shows a one DIMM bank address conversion example, while Table 4-20 shows a two DIMM bank example. The addresses are computed on a per DIMM basis.

Since the DRAM interface is 64 bits wide, the lower three bits of the physical address get mapped onto the DQM[7:0] lines. Thus, the address conversion tables (Tables 4-17 through 4-20) show the physical address starting from A3.

Integrated Functions (Continued)

Table 4-17. Auto LOI -- 2 DIMMs, Same Size, 1 DIMM Bank

Address	1 K Page Size		2 K Page Size		4 K Page Size		1 K Page Size	2 K Page Size		4 Page Size		
	Row	Col	Row	Col	Row	Col		Row	Col	Row	Col	
	2 Component Banks							4 Component Banks				
MA12	A24	--	A25	--	A26		A25	--	A26	--	A27	
MA11	A23	--	A24	--	A25		A24	--	A25	--	A26	
MA10	A22	--	A23	--	A24		A23	--	A24	--	A25	
MA9	A21	--	A22	--	A23		A22	A9	A23	--	A24	
MA8	A20	--	A21	--	A22	A11	A21	A8	A22	--	A23	A11
MA7	A19	--	A20	A10	A21	A10	A20	A7	A21	A10	A22	A10
MA6	A18	A9	A19	A9	A20	A9	A19	A6	A20	A9	A21	A9
MA5	A17	A8	A18	A8	A19	A8	A18	A5	A19	A8	A20	A8
MA4	A16	A7	A17	A7	A18	A7	A17	A4	A18	A7	A19	A7
MA3	A15	A6	A16	A6	A17	A6	A16	A3	A17	A6	A18	A6
MA2	A14	A5	A15	A5	A16	A5	A15	A8	A16	A5	A17	A5
MA1	A13	A4	A14	A4	A15	A4	A14	A7	A15	A4	A16	A4
MA0	A12	A3	A13	A3	A14	A3	A13	A6	A14	A3	A15	A3
CS0#/CS1#	A11		A12		A13		A12		A13		A14	
CS2#/CS3#	--		--		--		--		--		--	
BA0/BA1	A10		A11		A12		A11/A10		A12/A11		A13/A12	

Table 4-18. Auto LOI -- 2 DIMMs, Same Size, 2 DIMM Banks

Address	1 K Page Size		2 K Page Size		4 K Page Size		1 K Page Size	2 Page Size		4 K Page Size		
	Row	Col	Row	Col	Row	Col		Row	Col	Row	Col	
	2 Component Banks							4 Component Banks				
MA12	A25	--	A26	--	A27		A26	--	A27	--	A28	--
MA11	A24	--	A25	--	A26		A25	--	A26	--	A27	--
MA10	A23	--	A24	--	A25		A24	--	A25	--	A26	--
MA9	A22	--	A23	--	A24		A23	--	A24	--	A25	--
MA8	A21	--	A22	--	A23	A11	A22	--	A23	--	A24	A11
MA7	A20	--	A21	A10	A22	A10	A21	--	A22	A10	A23	A10
MA6	A19	A9	A20	A9	A21	A9	A20	A9	A21	A9	A22	A9
MA5	A18	A8	A19	A8	A20	A8	A19	A8	A20	A8	A21	A8
MA4	A17	A7	A18	A7	A19	A7	A18	A7	A19	A7	A20	A7
MA3	A16	A6	A17	A6	A18	A6	A17	A6	A18	A6	A19	A6
MA2	A15	A5	A16	A5	A17	A5	A16	A5	A17	A5	A18	A5
MA1	A14	A4	A15	A4	A16	A4	A15	A4	A16	A4	A17	A4
MA0	A13	A3	A14	A3	A15	A3	A14	A3	A15	A3	A16	A3
CS0#/CS1#	A12		A13		A14		A13		A14		A15	
CS2#/CS3#	A11		A12		A13		A12		A13		A14	
BA0/BA1	A10		A11		A12		A11/A10		A12/A11		A13/A12	

Integrated Functions (Continued)

Table 4-19. Non-Auto LOI -- 1 or 2 DIMMs, Different Sizes, 1 DIMM Bank

Address	1 K Page Size		2 K Page Size		4 K Page Size		1 K Page Size	2 K Page Size	4 K Page Size				
	Row	Col	Row	Col	Row	Col				Row	Col	Row	Col
	2 Component Banks									4 Component Banks			
MA12	A23	--	A24	--	A25	--	A24	--	A25	--	A26	--	
MA11	A22	--	A23	--	A24	--	A23	--	A24	--	A25	--	
MA10	A21	--	A22	--	A23	--	A22	--	A23	--	A24	--	
MA9	A20	--	A21	--	A22	--	A21	--	A22	--	A23	--	
MA8	A19	--	A20	--	A21	A11	A20	--	A21	--	A22	A11	
MA7	A18	--	A19	A10	A20	A10	A19	--	A20	A10	A21	A10	
MA6	A17	A9	A18	A9	A19	A9	A18	A9	A19	A9	A20	A9	
MA5	A16	A8	A17	A8	A18	A8	A17	A8	A18	A8	A19	A8	
MA4	A15	A7	A16	A7	A17	A7	A16	A7	A17	A7	A18	A7	
MA3	A14	A6	A15	A6	A16	A6	A15	A6	A16	A6	A17	A6	
MA2	A13	A5	A14	A5	A15	A5	A14	A5	A15	A5	A16	A5	
MA1	A12	A4	A13	A4	A14	A4	A13	A4	A14	A4	A15	A4	
MA0	A11	A3	A12	A3	A13	A3	A12	A3	A13	A3	A14	A3	
CS0#/CS1#	--	--	--	--	--	--	--	--	--	--	--	--	
CS2#/CS3#	--	--	--	--	--	--	--	--	--	--	--	--	
BA0/BA1	A10		A11		A12		A11/A10		A12/A11		A13/A12		

Table 4-20. Non-Auto LOI -- 1 or 2 DIMMs, Different Sizes, 2 DIMM Banks

Address	1 K Page Size		2 K Page Size		4 K Page Size		1 K Page Size	2 K Page Size	4 K Page Size				
	Row	Col	Row	Col	Row	Col				Row	Col	Row	Col
	2 Component Banks									4 Component Banks			
MA12	A24	--	A25	--	A26	--	A25	--	A26	--	A27	--	
MA11	A23	--	A24	--	A25	--	A24	--	A25	--	A26	--	
MA10	A22	--	A23	--	A24	--	A23	--	A24	--	A25	--	
MA9	A21	--	A22	--	A23	--	A22	--	A23	--	A24	--	
MA8	A20	--	A21	--	A22	A11	A21	--	A22	--	A23	A11	
MA7	A19	--	A20	A10	A21	A10	A20	--	A21	A10	A22	A10	
MA6	A18	A9	A19	A9	A20	A9	A19	A9	A20	A9	A21	A9	
MA5	A17	A8	A18	A8	A19	A8	A18	A8	A19	A8	A20	A8	
MA4	A16	A7	A17	A7	A18	A7	A17	A7	A18	A7	A19	A7	
MA3	A15	A6	A16	A6	A17	A6	A16	A6	A17	A6	A18	A6	
MA2	A14	A5	A15	A5	A16	A5	A15	A5	A16	A5	A17	A5	
MA1	A13	A4	A14	A4	A15	A4	A14	A4	A15	A4	A16	A4	
MA0	A12	A3	A13	A3	A14	A3	A13	A3	A14	A3	A15	A3	
CS0#/CS1#	A11		A12		A13		A12		A13		A14		
CS2#/CS3#	--		--		--		--		--		--		
BA0/BA1	A10		A11		A12		A11/A10		A12/A11		A13/A12		

Integrated Functions (Continued)

4.3.6 Memory Cycles

Figures 4-5 through Figure 4-8 on page 117 illustrate various memory cycles that the memory controller supports. The following subsections describe some of the supported cycles.

SDRAM Read Cycle

Figure 4-5 shows a SDRAM read cycle. The figure assumes that a previous ACT command has presented the row address for the read operation. Note that the burst length for the READ command is always two.

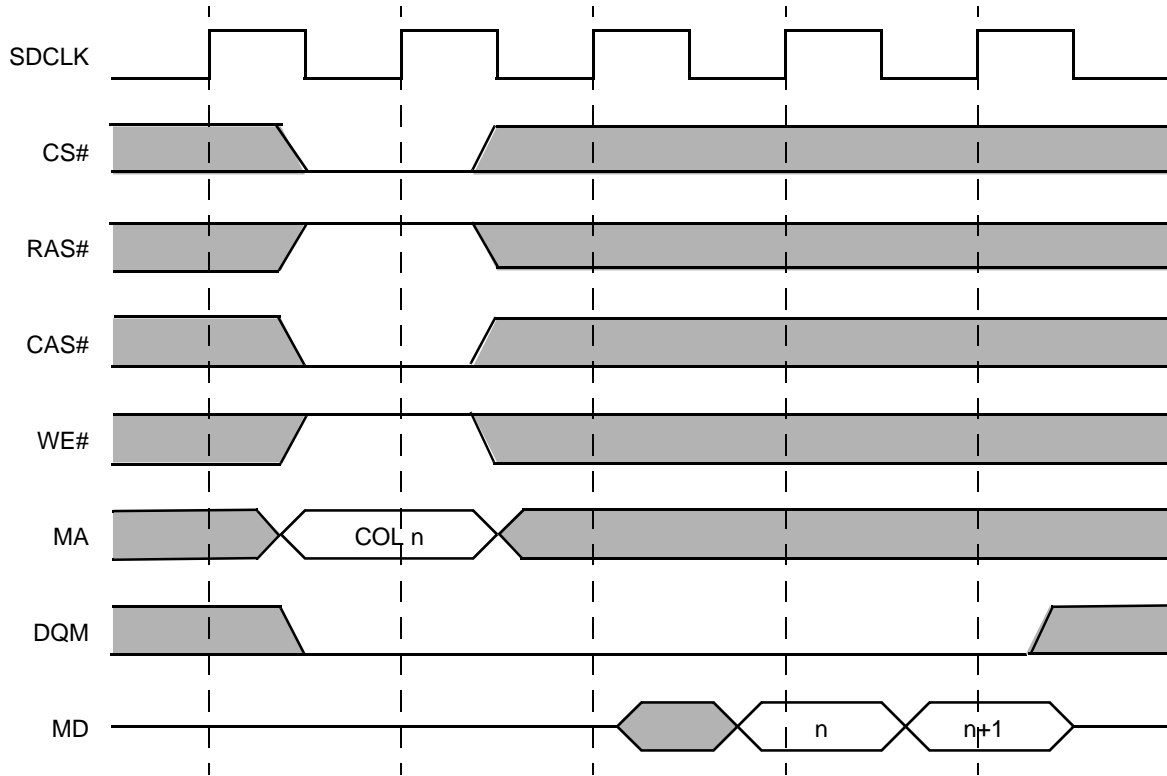


Figure 4-5. Basic Read Cycle with a CAS Latency of Two

Integrated Functions (Continued)

SDRAM Write Cycle

Figure 4-6 shows a SDRAM write cycle. The burst length for the WRT command is 2.

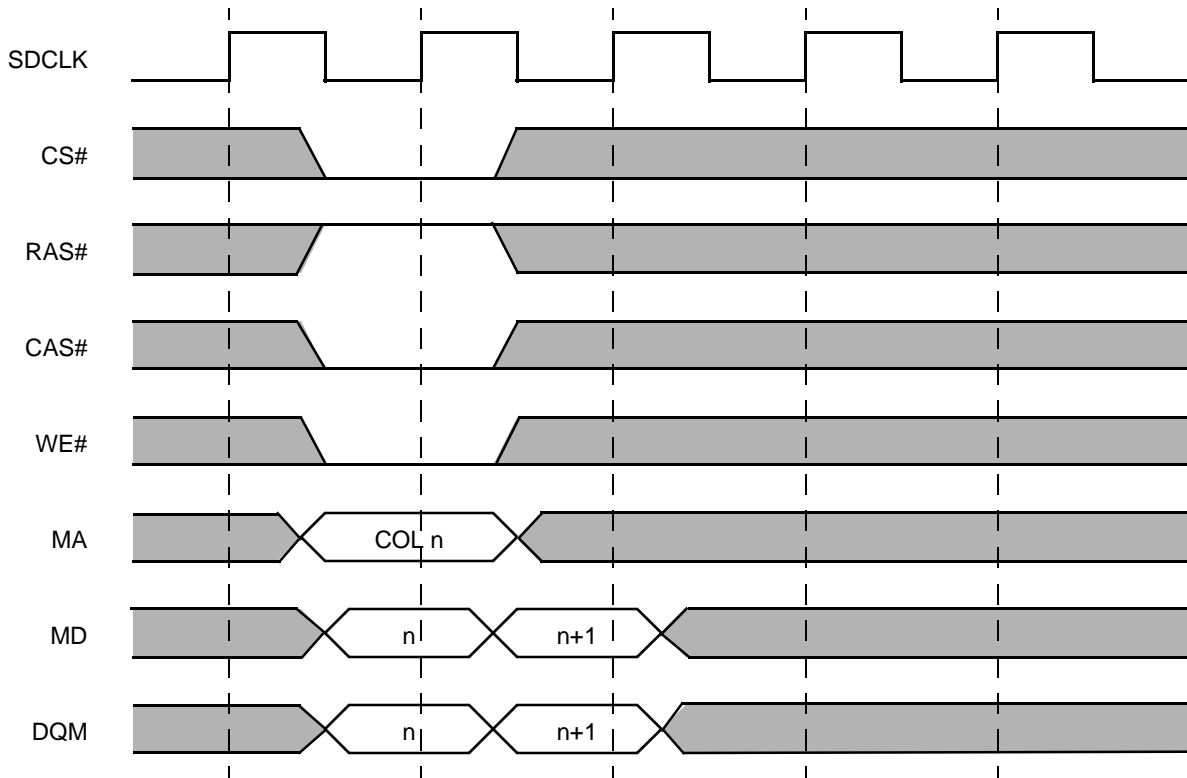


Figure 4-6. Basic Write Cycle

Integrated Functions (Continued)

SDRAM Refresh Cycle

Figure 4-7 shows a SDRAM auto refresh cycle. The memory controller always precedes the refresh cycle with a PRE command to all banks.

Page Miss

Figure 4-8 shows a Read/WRT command after a page miss cycle. In order to program the new row address, a PRE command must be issued followed by an ACT command.

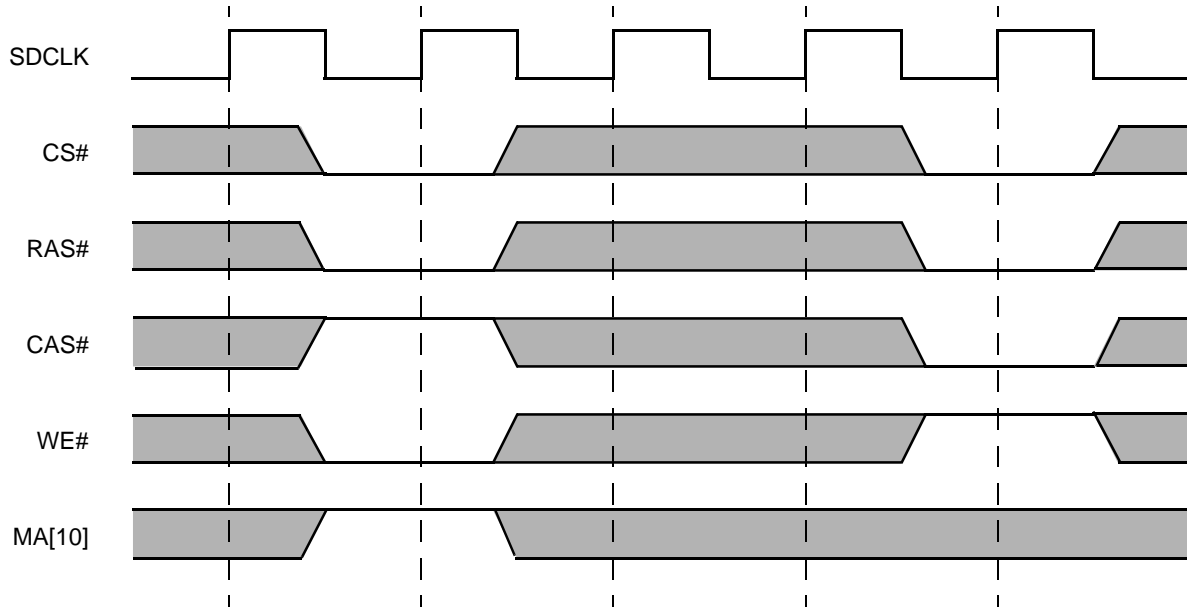


Figure 4-7. Auto Refresh Cycle

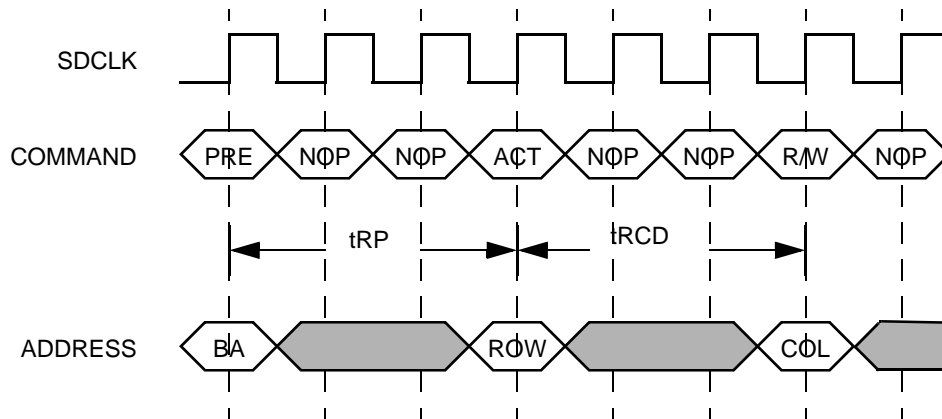


Figure 4-8. Read/WRT Command to a New Row Address

Integrated Functions (Continued)

4.3.7 SDRAM Interface Clocking

The GXm processor drives the SDCLK to the SDRAMs; one for each DIMM bank. All the control, data, and address signals driven by the memory controller are sampled by the SDRAM at the rising edge of SDCLK. SDCLK-OUT is a reference signal used to generate SDCLKIN. Read data is sampled by the memory controller at the rising edge of SDCLKIN.

The delay for SDCLKIN must be designed so that it lags the SDCLKs at the DRAM by approximately 2ns. The delay should also include the SDCLK transmission line delay. The SDCLK traces on the board need to be laid out so there is no skew between each of the four sinks. These guidelines allow the memory interface to be closer to the DRAM specifications. They improve performance by running the SDCLK up to frequencies of 100 MHz and a CAS latency of two.

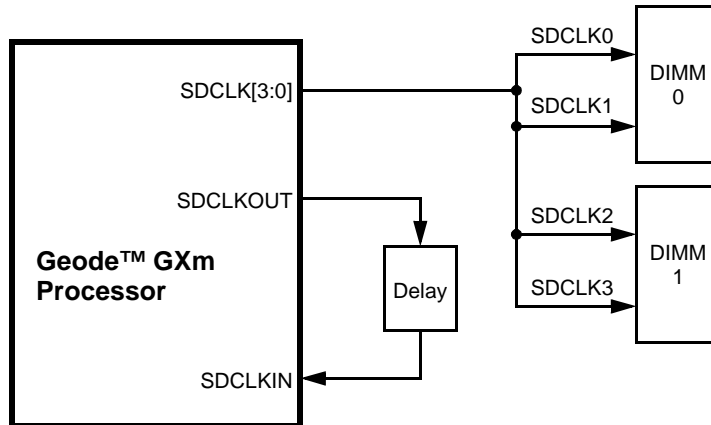


Figure 4-9. SDCLKIN Clocking

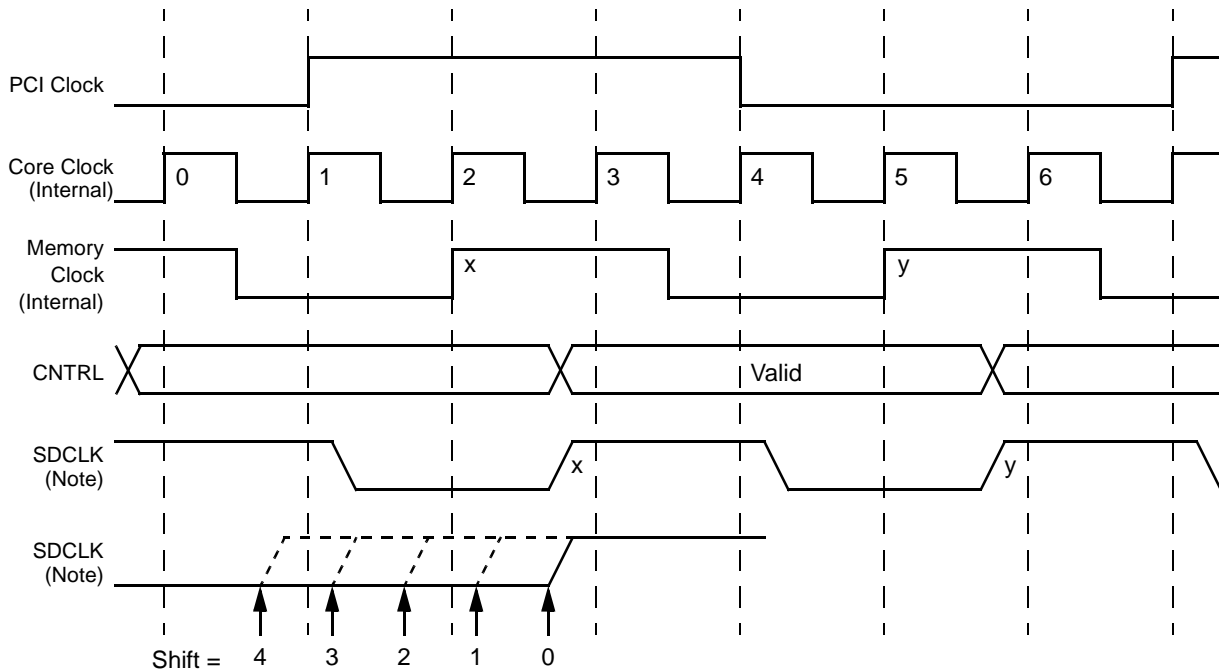
Integrated Functions (Continued)

The SDRAM interface timings are programmable. The SHFTSDCLK bits in the MC_MEM_CNTRL2 register can be used to change the relationship between SDCLK and the control/address/data signals. To meet setup and hold time requirements for SDRAM across different board layouts, the SHFTSDCLK bits are used. SHFTSDCLK bit values are selected based upon the SDRAM signals loads and the core frequency (refer to Table 7-10 on page 190).

Figure 4-10 shows an example of how the SHFTSDCLK bits setting affects SDCLK. The PCI clock is the input clock to the GXm processor. The core clock is the internal processor clock that is multiplied up.

The memory control, address, and data signals are driven off edge "x" of the memory clock to be setup before edge "y". With no shift applied, the control signals could end up being latched on edge "x". A shift value of two or three could be used so that SDCLK at the SDRAM is centered around when the control signals change.

The SDRAM control, address, and data signals are driven off edge "x" of the memory clock to be setup before edge "y". With no shift applied, the control signals could end up being latched on edge "x". A shift value of two or three could be used so that SDCLK at the SDRAM is centered around when the control signals change.



Note: The first SDCLK shows how SDCLK operates with the SHFTSDCLK bits = 000, no shift. The second SDCLK shows how SDCLK operates with the SHFTSDCLK bits = 001, shift 0.5 core clock. (See MC_MEMCNTRL2 bits [5:3], Table 4-16 on page 108, for remaining decode values.)

Figure 4-10. Effects of SHFTSDCLK Programming Bits Example

Integrated Functions (Continued)

4.4 GRAPHICS PIPELINE

The graphics pipeline of the GXm processor includes a BitBLT/vector engine which has been optimized for Microsoft Windows. The hardware supports pattern generation, source expansion, pattern/source transparency, and 256 ternary raster operations. The block diagram of the graphics pipeline is shown in Figure 4-11.

4.4.1 BitBLT/Vector Engine

BLTs are initiated by writing to the GP_BLT_MODE register, which specifies the type of source data (none, frame buffer, or BLT buffer), the type of the destination data (none, frame buffer, or BLT buffer), and a source expansion flag.

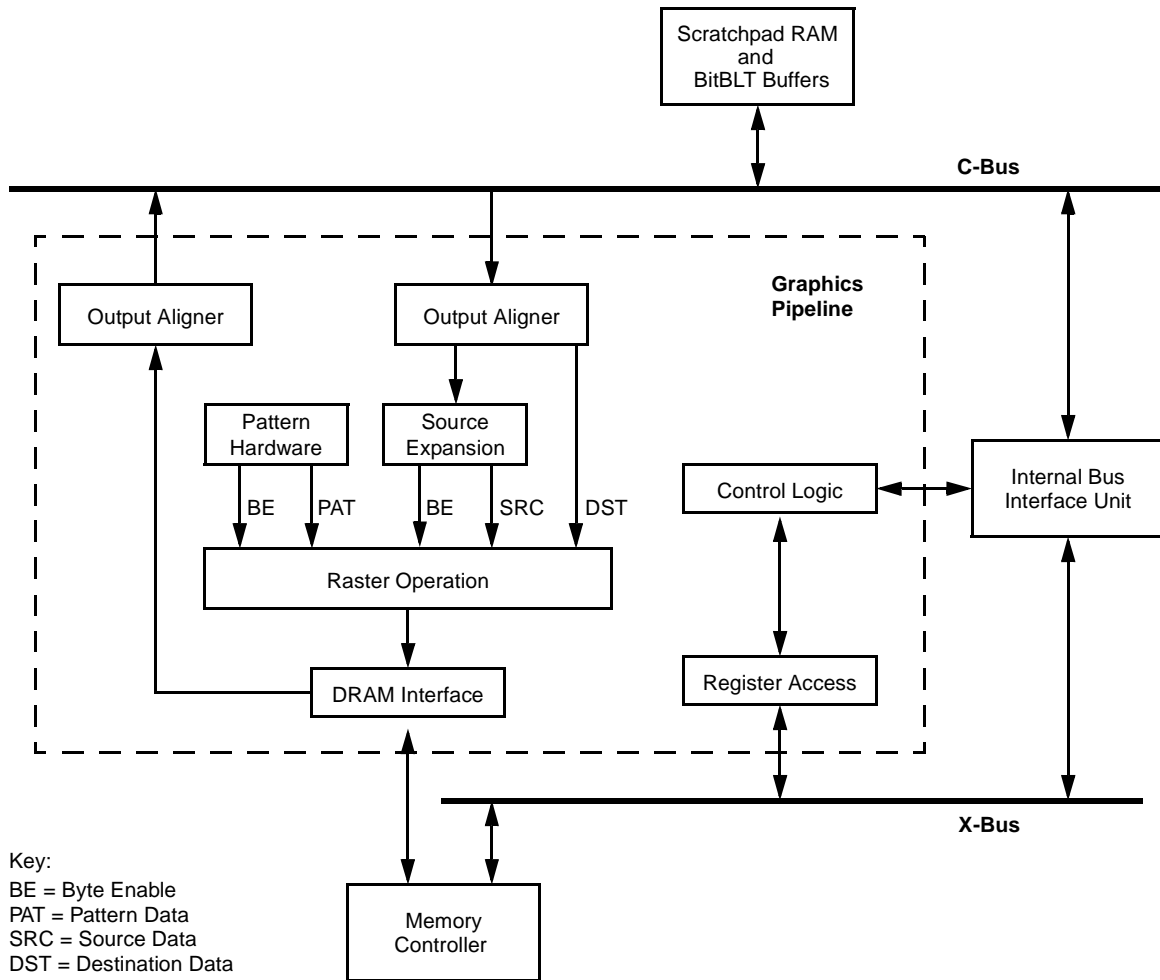


Figure 4-11. Graphics Pipeline Block Diagram

Integrated Functions (Continued)

The BLT buffers in the dedicated cache temporarily store source and destination data, typically on a scan line basis. The hardware automatically loads frame-buffer data (source or destination) into the BLT buffers for each scan line. The software is responsible for making sure that this does not overflow the memory allocated for the BLT buffers. When the source data is a bitmap, the data is loaded directly into the BLT buffer before starting the BLT.

Vectors are initiated by writing to the GP_VECTOR_MODE register (GX_BASE+8204h), which specifies the direction of the vector and a “read destination data” flag. If the flag is set, the hardware will read destination data along the vector and store it temporarily in BLT Buffer 0.

4.4.2 Master/Slave Registers

When starting a BitBLT or vector operation, the graphics pipeline registers are latched from the master registers to the slave registers. A second BitBLT or vector operation can then be loaded into the master registers while the first operation is rendered. If a second BLT is pending in the master registers, any write operations to the graphics

pipeline registers will corrupt the values of the pending BLT. Software must prevent this from happening by checking the “BLT Pending” bit in the GP_BLT_STATUS register (GX_BASE+820Ch[2]).

Most of the graphics pipeline registers are latched directly from the master registers to the slave registers when starting a new BitBLT or vector operation. Some registers, however, use the updated slave values if the master registers have not been written, which allows software to render successive primitives without loading some of the registers as outlined in Table 4-21.

4.4.3 Pattern Generation

The graphics pipeline contains hardware support for 8x8 monochrome patterns (expanded to two colors), 8x8 dither patterns (expanded to four colors), and 8x1 color patterns. The pattern hardware, however, does not maintain a pattern origin, so the pattern data must be justified before it is loaded into the GXm processor’s registers. For solid primitives, the pattern hardware is disabled and the pattern color is always sourced from the GP_PAT_COLOR_0 register (GX_BASE+8110h).

Table 4-21. Graphics Pipeline Registers

Master	Function
GP_DST_XCOORD	Next X position along vector. Master register if written, otherwise: Unchanged slave if BLT, source mode = bitmap. Slave + width if BLT, source mode = text glyph
GP_DST_YCOORD	Next Y position along vector. Master register if written, otherwise: Slave +/- height if BLT, source mode = bitmap. Unchanged slave if BLT, source mode = text glyph.
GP_INIT_ERROR	Master register if written, otherwise: Initial error for the next pixel along the vector.
GP_SRC_YCOORD	Master register if written, otherwise: Slave +/- height if BLT, source mode = bitmap.

Integrated Functions (Continued)

4.4.3.1 Monochrome Patterns

Monochrome patterns are selected by setting the pattern mode to 01b in the GP_RASTER_MODE register (GX_BASE+ 8200h). Those pixels corresponding to a clear bit (0) in the pattern are rendered using the color specified in the GP_PAT_COLOR_0 register, and those pixels corresponding to a set bit (1) in the pattern are rendered using the color specified in the GP_PAT_COLOR_1 register (GX_BASE+8112h).

If the pattern transparency bit is set high in the GP_RASTER_MODE register, those pixels corresponding to a clear bit in the pattern data are not drawn.

Monochrome patterns use bits [63:0] of the pattern data. Bits [7:0] correspond to the first row of the pattern, and bit 7 corresponds to the leftmost pixel on the screen. This is illustrated in Figure 4-12.

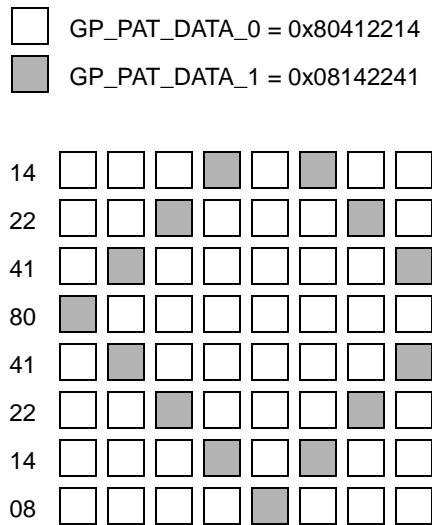


Figure 4-12. Example of Monochrome Patterns

4.4.3.2 Dither Patterns

Dither patterns are selected by setting the pattern mode to 10 b in the GP_RASTER_MODE register (Table 4-25 on page 125). Two bits of pattern data are used for each pixel, allowing color expansion to four colors. The colors are specified in the GP_PAT_COLOR_0 through GP_PAT_COLOR_3 registers (Table 4-25 on page 125).

Dither patterns use all 128 bits of pattern data. Bits [15:0] correspond to the first row of the pattern (the lower byte contains the LSB of the pattern color and the upper byte contains the MSB of the pattern color). This is illustrated in Figure 4-13.

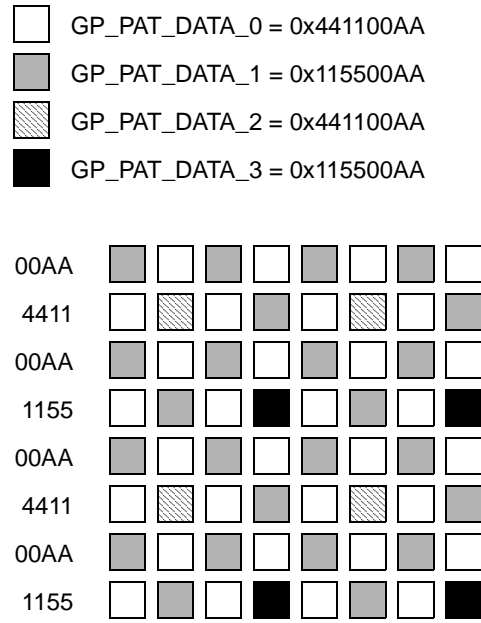


Figure 4-13. Example of Dither Patterns

Integrated Functions (Continued)

4.4.3.3 Color Patterns

Color patterns are selected by setting the pattern mode to 11 b in the GP_RASTER_MODE register. Bits [63:0] are used to hold a row of pattern data for an 8-BPP pattern, with bits [7:0] corresponding to the leftmost pixel of the row. Likewise, bits [127:0] are used for a 16-BPP color pattern, with bits [15:0] corresponding to the leftmost pixel of the row.

To support an 8x8 color pattern, software must load the pattern data for each row.

4.4.4 Source Expansion

The graphics pipeline contains hardware support for color expansion of source data (primarily used for text). Those pixels corresponding to a clear bit (0) in the source data are rendered using the color specified in the GP_SRC_COLOR_0 register (GX_BASE+810Ch), and those pixels corresponding to a set bit (1) in the source data are rendered using the color specified in the GP_SRC_COLOR_1 register (GX_BASE+810Eh).

If the source transparency bit is set in the GP_RASTER_MODE register, those pixels corresponding to a clear bit (0) in the source data are not drawn.

4.4.5 Raster Operations

The GP_RASTER_MODE register specifies how the pattern data, source data (color-expanded if necessary), and destination data are combined to produce the output from the graphics pipeline. The definition of the ROP value matches that of the Microsoft API. This allows Windows display drivers to load the raster operation directly into hardware. Table 4-22 illustrates this definition. Some common raster operations are described in Table 4-23.

Table 4-22. GP_RASTER_MODE Bit Patterns

Pattern (bit)	Source (bit)	Destination (bit)	Output (bit)
0	0	0	ROP[0]
0	0	1	ROP[1]
0	1	0	ROP[2]
0	1	1	ROP[3]
1	0	0	ROP[4]
1	0	1	ROP[5]
1	1	0	ROP[6]
1	1	1	ROP[7]

Table 4-23. Common Raster Operations

ROP	Description
F0h	Output = Pattern
CCh	Output = source
5Ah	Output = Pattern XOR destination
66h	Output = Source XOR destination
55h	Output = ~Destination

Integrated Functions (Continued)

4.4.6 Graphics Pipeline Register Descriptions

The graphics pipeline maps 200h locations starting at GX_BASE+8100h. Refer to Section 4.1.2 “Control Registers” on page 94 for instructions on accessing these registers.

Table 4-24 summarizes the graphics pipeline registers and Table 4-25 on page 125 gives detailed register/bit formats.

Table 4-24. Graphics Pipeline Configuration Register Summary

GX_BASE+ Memory Offset	Type	Name / Function	Default Value
8100h-8103h	R/W	GP_DST/START_Y/XCOOR Destination/Starting Y and X Coordinates Register — In BLT mode this register specifies the destination Y and X positions for a BLT operation. In Vector mode it specifies the starting Y and X positions in a vector.	00000000h
8104-8107h	R/W	GP_WIDTH/HEIGHT and GP_VECTOR_LENGTH/INIT_ERROR Width/Height or Vector Length/Initial Error Register — In BLT mode this register specifies the BLT width and height in pixels. In Vector mode it specifies the vector initial error and pixel length.	00000000h
8108h-810Bh	R/W	GP_SRC_X/YCOOR and GP_AXIAL/DIAG_ERROR Source X/Y Coordinate Axial/Diagonal Error Register — In BLT mode this register specifies the BLT X and Y source. In Vector mode it specifies the axial and diagonal error for rendering a vector.	00000000h
810Ch-810Fh	R/W	GP_SRC_COLOR_0 and GP_SCR_COLOR_1 Source Color Register — Determines the colors used when expanding monochrome source data in either the 8-BPP mode or the 16-BPP mode.	00000000h
8110h-8113h	R/W	GP_PAT_COLOR_0 and GP_PAT_COLOR_1 Graphics Pipeline Pattern Color 0 and 1 Registers — These two registers determine the colors used when expanding pattern data.	00000000h
8114h-8117h	R/W	GP_PAT_COLOR_2 and GP_PAT_COLOR_3 Graphics Pipeline Pattern Color 2 and 3 Registers — These two registers determine the colors used when expanding pattern data.	00000000h
8120h-8123h	R/W	GP_PAT_DATA 0 through 3 Graphics Pipeline Pattern Data Registers 0 through 3 — Together these registers contain 128 bits of pattern data. GP_PAT_DATA_0 corresponds to bits [31:0] of the pattern data. GP_PAT_DATA_1 corresponds to bits [63:32] of the pattern data. GP_PAT_DATA_2 corresponds to bits [95:64] of the pattern data. GP_PAT_DATA_3 corresponds to bits [127:96] of the pattern data.	00000000h
8124h-8127h	R/W		00000000h
8128h-812Bh	R/W		00000000h
812Ch-812Fh	R/W		00000000h
8140h-8143h (Note)	R/W	GP_VGA_WRITE Graphics Pipeline VGA Write Patch Control Register — Controls the VGA memory write path in the graphics pipeline.	xxxxxxxh
8144h-8147h (Note)	R/W	GP_VGA_READ Graphics Pipeline VGA Read Patch Control Register — Controls the VGA memory read path in the graphics pipeline.	00000000h
8200h-8203h	R/W	GP_RASTER_MODE Graphics Pipeline Raster Mode Register — This register controls the manipulation of the pixel data through the graphics pipeline. Refer to Section 4.4.5 “Raster Operations” on page 123.	00000000h
8204h-8207h	R/W	GP_VECTOR_MODE Graphics Pipeline Vector Mode Register — Writing to this register initiates the rendering of a vector.	00000000h
8208h-820Bh	R/W	GP_BLT_MODE Graphics Pipeline BLT Mode Register — Writing to this initiates a BLT operation.	00000000h
Note: The registers at GX_BASE+8140, 8144h, 8210h, and 8217h are located in the area designated for the graphics pipeline but are used for VGA emulation purposes. Refer to Table 5-5 on page 173 for these register's bit formats.			

Integrated Functions (Continued)

Table 4-24. Graphics Pipeline Configuration Register Summary (Continued)

GX_BASE+ Memory Offset	Type	Name / Function	Default Value
820Ch-820Fh	R/W	GP_BLT_STATUS Graphics Pipeline BLT Status Register — Contains configuration and status information for the BLT engine. The status bits are contained in the lower byte of the register.	00000000h
8210h-8213h (Note)	R/W	GP_VGA_BASE Graphics Pipeline VGA Memory Base Address Register — Specifies the offset of the VGA memory, starting from the base of graphics memory.	xxxxxxxxh
8214h-8217h (Note)	R/W	GP_VGA_LATCH Graphics Pipeline VGA Display Latch Register — Provides a memory mapped way to read or write the VGA display latch.	xxxxxxxxh

Note: The registers at GX_BASE+8140, 8144h, 8210h, and 8217h are located in the area designated for the graphics pipeline but are used for VGA emulation purposes. Refer to Table 5-5 on page 173 for these register's bit formats.

Table 4-25. Graphics Pipeline Configuration Registers

Bit	Name	Description
GX_BASE+8100h-8103h GP_DST/START_X/YCOOR Register (R/W) Default Value = 00000000h		
31:16	DESTINATION/STARTING Y POSITION (SIGNED):	BLT Mode — Specifies the destination Y position for a BLT operation. Vector Mode — Specifies the starting Y position in a vector.
15:0	DESTINATION/STARTING X POSITION (SIGNED):	BLT Mode — Specifies the destination X position for a BLT operation. Vector Mode — Specifies the starting X position in a vector.
GX_BASE+8104h-8107h GP_WIDTH/HEIGHT and GP_VECTOR_LENGTH/INIT_ERROR Register (R/W) Default Value = 00000000h		
31:16	PIXEL_WIDTH or VECTOR_LENGTH (UNSIGNED):	BLT Mode — Specifies the width, in pixels, of a BLT operation. No pixels are rendered for a width of zero. Vector Mode — Bits [31:30] are reserved in this mode allowing this 14-bit field to specify the length, in pixels, of a vector. No pixels are rendered for a length of zero. This field is limited to 14 bits due to a lack of precision in the registers used to hold the error terms.
15:0	PIXEL_HEIGHT or VECTOR_INITIAL_ERROR (UNSIGNED):	BLT Mode — Specifies the height, in pixels, of a BLT operation. No pixels are rendered for a height of zero. Vector Mode — Specifies the initial error for rendering a vector.
GX_BASE+8108h-810Bh GP_SCR_X/YCOOR and GP_AXIAL/DIAG_ERROR Register (R/W) Default Value = 00000000h		
31:16	SRC_X_POS or VECTOR_AXIAL_ERROR (SIGNED):	BLT Mode — Specifies the source X position for a BLT operation. Vector Mode — Specifies the axial error for rendering a vector.
15:0	SRC_Y_POS or VECTOR_DIAG_ERROR (SIGNED):	Source Y Position (Signed) — Specifies the source Y position for a BLT operation. Vector Mode — Specifies the diagonal error for rendering a vector.
GX_BASE+810Ch-810Fh GP_SRC_COLOR Register (R/W) Default Value = 00000000h		
8-BPP Mode		
31:24	GP_SRC_COLOR_0:	
23:16		8-BPP Color Index — The color index must be duplicated in the upper byte of GP_SRC_COLOR_0 when rendering 8-BPP data.
15:8	GP_SRC_COLOR_1:	
7:0		8-BPP Color Index — The color index must be duplicated in the upper byte of GP_SRC_COLOR_1 when rendering 8-BPP data.
16-BPP Mode		
31:16	GP_SRC_COLOR_0:	16-BPP Color (RGB)
15:0	GP_SRC_COLOR_1:	16-BPP Color (RGB)

Integrated Functions (Continued)

Table 4-25. Graphics Pipeline Configuration Registers (Continued)

Bit	Name	Description
Note: The Graphics Pipeline Source Color Register specifies the colors used when expanding monochrome source data in either the 8-BPP mode or the 16-BPP mode. Those pixels corresponding to clear bits (0) in the source data are rendered using GP_SRC_COLOR_0 and those pixels corresponding to set bits (1) in the source data are rendered using GP_SRC_COLOR_1.		
GX_BASE+8110h-8113h		GP_PAT_COLOR_A Register (R/W) Default Value = 00000000h
8-BPP Mode		
31:24	GP_PAT_COLOR_0:	
23:16	8-BPP Color Index — The color index must be duplicated in the upper byte of GP_PAT_COLOR_0 when rendering 8-BPP data.	
15:8	GP_PAT_COLOR_1:	
7:0	8-BPP Color Index — The color index must be duplicated in the upper byte of GP_PAT_COLOR_1 when rendering 8-BPP data.	
16-BPP Mode		
31:16	GP_PAT_COLOR_0: 16-BPP Color (RGB)	
15:0	GP_PAT_COLOR_1: 16-BPP Color (RGB)	
Note: The Graphics Pipeline Pattern Color A and B Registers specify the colors used when expanding pattern data.		
GX_BASE+8114h-8117h		GP_PAT_COLOR_B Register (R/W) Default Value = 00000000h
8-BPP Mode		
31:24	GP_PAT_COLOR_2:	
23:16	8-BPP Color Index — The color index must be duplicated in the upper byte of GP_PAT_COLOR_2 when rendering 8-BPP data.	
15:8	GP_PAT_COLOR_3:	
7:0	8-BPP Color Index — The color index must be duplicated in the upper byte of GP_PAT_COLOR_3 when rendering 8-BPP data.	
16-BPP Mode		
31:16	GP_PAT_COLOR_2: 16-BPP Color (RGB)	
15:0	GP_PAT_COLOR_3: 16-BPP Color (RGB)	
Note: The Graphics Pipeline Pattern Color A and B Registers specify the colors used when expanding pattern data.		
GX_BASE+8120h-8123h		GP_PAT_DATA_0 Register (R/W) Default Value = 00000000h
31:0	GP Pattern Data Register 0: The Graphics Pipeline Pattern Data Registers 0 through 3 together contain 128 bits of pattern data. The GP_PAT_DATA_0 register corresponds to bits [31:0] of the pattern data.	
GX_BASE+8124h-8127h		GP_PAT_DATA_1 Register (R/W) Default Value = 00000000h
31:0	GP Pattern Data Register 1: The Graphics Pipeline Pattern Data Registers 0 through 3 together contain 128 bits of pattern data. The GP_PAT_DATA_1 register corresponds to bits [63:32] of the pattern data.	
GX_BASE+8128h-812Bh		GP_PAT_DATA_2 Register (R/W) Default Value = 00000000h
31:0	GP Pattern Data Register 2: The Graphics Pipeline Pattern Data Registers 0 through 3 together contain 128 bits of pattern data. The GP_PAT_DATA_2 register corresponds to bits [95:64] of the pattern data.	
GX_BASE+812Ch-812Fh		GP_PAT_DATA_3 Register (R/W) Default Value = 00000000h
31:0	GP Pattern Data Register 3: The Graphics Pipeline Pattern Data Registers 0 through 3 together contain 128 bits of pattern data. The GP_PAT_DATA_3 register corresponds to bits [127:96] of the pattern data.	
GX_BASE+8140h-8143h		GP_VGA_WRITE Register (R/W) Default Value = xxxxxxxxh
Note that the registers at GX_BASE+82140h and 8144h are located in the area designated for the graphics pipeline but are used for VGA emulation purposes. Refer to Table 5-5 on page 173 for these register's bit formats.		
GX_BASE+8144h-8147h		GP_VGA_READ Register (R/W) Default Value = 00000000h
Note that the registers at GX_BASE+82140h and 8144h are located in the area designated for the graphics pipeline but are used for VGA emulation purposes. Refer to Table 5-5 on page 173 for these register's bit formats.		

Integrated Functions (Continued)

Table 4-25. Graphics Pipeline Configuration Registers (Continued)

Bit	Name	Description
GX_BASE+8200h-8203h GP_RASTER_MODE Register (R/W) Default Value = 00000000h		
31:13	RSVD	Reserved: Set to 0.
12	TB	Transparent BLIT: When set, this bit enables transparent BLIT. The source color data will be compared to a color key and if it matches, that pixel will not be drawn. The color key value is stored in the BLIT buffer as destination data. The raster operation must be set to C6h, and the pattern registers must be all F's for this mode to work properly.
11	ST	Source Transparency: Enables transparency for monochrome source data. Those pixels corresponding to clear bits in the source data are not drawn.
10	PT	Pattern Transparency: Enables transparency for monochrome pattern data. Those pixels corresponding to clear bits in the pattern data are not drawn.
9:8	PM	Pattern Mode: Specifies the format of the pattern data. 00 = Indicates a solid pattern. The pattern data is always sourced from the GP_PAT_COLOR_0 register. 01 = Indicates a monochrome pattern. The pattern data is sourced from the GP_PAT_COLOR_0 and GP_PAT_COLOR_1 registers. 10 = Indicates a dither pattern. All four pattern color registers are used. 11 = Indicates a color pattern. The pattern data is sourced directly from the pattern data registers.
7:0	ROP	Raster Operation: Specifies the raster operation for pattern, source, and destination data.
GX_BASE+8204h-8207h GP_VECTOR_MODE Register (R/W) Default Value = 00000000h		
31:4	RSVD	Reserved: Set to 0.
3	DEST	Read Destination Data: Indicates that frame-buffer destination data is required.
2	DMIN	Minor Direction: Indicates a positive minor axis step.
1	DMAJ	Major Direction: Indicates a positive major axis step.
0	YMAJ	Major Direction: Indicates a Y Major vector.
GX_BASE+8208h-820Bh GP_BLT_MODE Register (R/W) Default Value = 00000000h		
31:9	RSVD	Reserved: Set to 0.
8	Y	Reverse Y Direction: Indicates a negative increment for the Y position. This bit is used to control the direction of screen to screen BLTs to prevent data corruption in overlapping windows.
7:6	SM	Source Mode: Specifies the format of the source data. 00 = Source is a color bitmap. 01 = Source is a monochrome bitmap (use source color expansion). 10 = Unused. 11 = Source is a text glyph (use source color expansion). This differs from a monochrome bitmap in that the X position is adjusted by the width of the BLT and the Y position remains the same.
5	RSVD	Reserved: Set to 0.
4:2	RD	Destination Data: Specifies the destination data location. 000 = No destination data is required. The destination data into the raster operation unit is all ones. 010 = Read destination data from BLT Buffer 0. 011 = Read destination data from BLT Buffer 1. 100 = Read destination data from the frame buffer (store temporarily in BLT Buffer 0). 101 = Read destination data from the frame buffer (store temporarily in BLT Buffer 1).
1:0	RS	Source Data: Specifies the source data location. 00 = No source data is required. The source data into the raster operation unit is all ones. 01 = Read source data from the frame buffer (temporarily stored in BLT Buffer 0). 10 = Read source data from BLT Buffer 0. 11 = Read source data from BLT Buffer 1.

Integrated Functions (Continued)

Table 4-25. Graphics Pipeline Configuration Registers (Continued)

Bit	Name	Description
GX_BASE+820Ch-820Fh GP_BLT_STATUS Register (R/W) Default Value = 00000000h		
31:10	RSVD	Reserved: Set to 0.
9	W	Screen Width: Selects a frame-buffer width of 2048 bytes (default is 1024 bytes).
8	M	16-BPP Mode: Selects a pixel data format of 16 BPP (default is 8 BPP).
7:3	RSVD	Reserved: Set to 0.
2	BP (RO)	BLT Pending (Read Only): Indicates that a BLT operation is pending in the master registers. The "BLT Pending" bit must be clear before loading any of the graphics pipeline registers. Loading registers when this bit is set high will destroy the values for the pending BLT.
1	PB (RO)	Pipeline Busy (Read Only): Indicates that the graphics pipeline is processing data. The "Pipeline Busy" bit differs from the "BLT Busy" bit in that the former only indicates that the graphics pipeline is processing data. The "BLT Busy" bit also indicates that the memory controller has not yet processed all of the requests for the current operation. The "Pipeline Busy" bit must be clear before loading a BLT buffer if the previous BLT operation used the same BLT buffer.
0	BB (RO)	BLT Busy (Read Only): Indicates that a BLT / vector operation is in progress. The "BLT Busy" bit must be clear before accessing the frame buffer directly.
GX_BASE+8210h-8213h GP_VGA_BASE (R/W) Default Value = xxxxxxxh		
Note that the registers at GX_BASE+8210h and 8214h are located in the area designated for the graphics pipeline but are used for VGA emulation purposes. Refer to Table 5-5 on page 173 for these register's bit formats.		
GX_BASE+8214h-8217h GP_VGA_LATCH Register (R/W) Default Value = xxxxxxxh		
Note that the registers at GX_BASE+8210h and 8214h are located in the area designated for the graphics pipeline but are used for VGA emulation purposes. Refer to Table 5-5 on page 173 for these register's bit formats.		

Integrated Functions (Continued)

4.5 DISPLAY CONTROLLER

The GXm processor incorporates a display controller that retrieves display data from the memory controller and formats it for output on a variety of display devices. The GXm processor can directly connect to an active matrix TFT LCD flat panel or to an external RAMDAC for CRT display or both. The display controller includes a display FIFO, compression/decompression (CODEC) hardware, hard-

ware cursor, a 256-entry-by-18-bit palette RAM (plus three extension colors), display timing generator, dither and frame-rate-modulation circuitry for TFT panels, and flexible output formatting logic. A diagram of the display controller subsystem is shown in Figure 4-14.

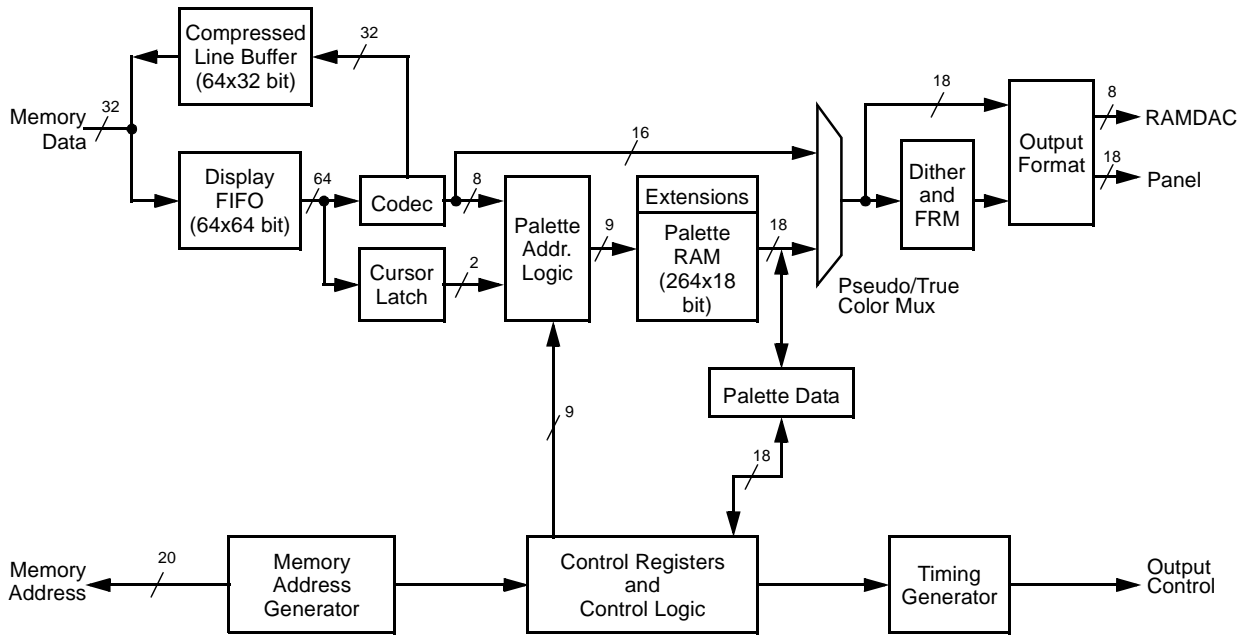


Figure 4-14. Display Controller Block Diagram

Integrated Functions (Continued)

4.5.1 Display FIFO

The display controller contains a large (64x64 bit) FIFO for queuing up display data from the memory controller as it is required for output to the screen. The memory controller must arbitrate between the display controller requests and other requests for memory access from the microprocessor core, L1 cache controller, and the graphics pipeline.

Since display data is required in real time, this data is the highest priority in the system. Without efficient memory management, system performance would suffer dramatically due to the constant display-refresh requests from the display controller. The large size of the display FIFO is desirable so that the FIFO may primarily be loaded during times when there is no other request pending to the DRAM controller and so that the memory controller can stay in page mode for a long period of time when servicing the display FIFO. When a priority request from the cache or graphics pipeline occurs, if the display FIFO has enough data queued up, the DRAM controller can immediately service the request without concern that the display FIFO will underflow. If the display FIFO is below a programmable threshold, a high-priority request will be sent to the DRAM controller, which will take precedence over any other requests that are pending.

The display FIFO is 64 bits wide to accommodate high-speed burst read operations from the DRAM controller at maximum memory bandwidth. In addition to the normal pixel data stream, the display FIFO also queues up cursor patterns.

4.5.2 Compression Technology

To reduce the system memory contention caused by the display refresh, the display controller contains compression and decompression logic for compressing the frame buffer image in real time as it is sent to the display. It combines this compressed display buffer into the extra off-screen memory within the graphics memory aperture. Coherency of the compressed display buffer is maintained by use of dirty and valid bits for each line. The dirty and valid RAM is contained on-chip for maximum efficiency. Whenever a line has been validly compressed, it will be retrieved from the compressed display buffer for all future accesses until the line becomes dirty again. Dirty lines will be retrieved from the normal uncompressed frame buffer.

The compression logic has the ability to insert a programmable number of "static" frames, during which time dirty bits are ignored and the valid bits are read to determine whether a line should be retrieved from the frame buffer or compressed display buffer. The less frequently the dirty bits are sampled, the more frequently lines will be retrieved from the compressed display buffer. This allows a programmable screen image update rate (as opposed to refresh rate). Generally, an update rate of 30 frames per second is adequate for displaying most types of data, including real-time video. However, if a flat panel display is used that has a slow response time, such as 100 ms, the image need not be updated faster than ten frames per second, since the panel could not display changes beyond that rate.

The compression algorithm used in the GXm processor commonly achieves compression ratios between 10:1 and 20:1, depending on the nature of the display data. This high level of compression provides higher system performance by reducing typical latency for normal system memory access, higher graphics performance by increasing available drawing bandwidth to the DRAM array, and much lower power consumption by significantly reducing the number of off-chip DRAM accesses required for refreshing the display. These advantages become even more pronounced as display resolution, color depth, and refresh rate are increased and as the size of the installed DRAM increases.

As uncompressed lines are fed to the display, they will be compressed and stored in an on-chip compressed line buffer (64x32 bits). Lines will not be written back to the compressed display buffer in the DRAM unless a valid compression has resulted, so there is no penalty for pathological frame buffer images where the compression algorithm breaks down.

4.5.3 Motion Video Acceleration Support

The display controller of the GXm processor supports the CS5530 and future I/O companion chips' hardware motion video acceleration by reading the off-screen video buffer and serializing the video data onto the RAMDAC port. The display controller supplies video data to the I/O companion chips in either interleaved YUV4:2:2 format or RGB5:6:5 format. The I/O companion chips can then scale and filter the data, apply color space conversion to YUV data, and mix the video data with graphics data also supplied by the display controller.

Integrated Functions (Continued)

4.5.4 Hardware Cursor

The display controller contains hardware cursor logic to allow overlay of the cursor image onto the pixel data stream. Overhead for updating this image on the screen is kept to a minimum by requiring that only the X and Y position be changed. This eliminates "submarining" effects commonly associated with software cursors. The cursor, 32x32 pixels with two bits per pixel, is loaded into off-screen memory within the graphics memory aperture. The two-bit code selects color 0, color 1, transparent, or background-color inversion for each pixel in the cursor (see Table 4-31 on page 144). The two cursor colors will be stored as extensions to the normal 256-entry palette at locations 100h and 101h. These palette extensions will be used when driving a flat panel or a RAMDAC operating in 16 BPP (bits per pixel) mode. For 8 BPP operation using an external RAMDAC, the DC_CURSOR_COLOR register (GX_BASE+8360h) should be programmed to set the indices for the cursor colors. To avoid corruption of the cursor colors by an application program that modifies the external palette, care should be taken to program the cursor color indices to one of the static color indices. Since Microsoft Windows typically uses only black and white cursor colors and these are static colors, this kind of problem should rarely occur.

4.5.5 Display Timing Generator

The display controller features a fully programmable timing generator for generating all timing control signals for the display. The timing control signals include horizontal and vertical sync and blank signals in addition to timing for active and overscan regions of the display. The timing generator is similar in function to the CRTIC of the original VGA, although programming is more straightforward. Programming of the timing registers will generally happen via a BIOS INT10 call during a mode set. When programming the timing registers directly, extreme care should be taken to ensure that all timing is compatible with the display device.

The timing generator supports overscan to maintain full backward compatibility with the VGA. This feature is supported primarily for CRT display devices since flat panel displays have fixed resolutions and do not provide for overscan. However, the GXm processor supports a mechanism to center the display when a display mode is selected having a lower resolution than the panel resolution. The border region is effectively stretched to fill the remainder of the screen. The border color is at palette extension 104h. For 8 BPP operation with an external RAMDAC, the DC_BORDER_COLOR register (GX_BASE+8368h) should also be programmed.

4.5.6 Dither and Frame-Rate Modulation

The display controller supports 2x2 dither and two-level frame-rate modulation (FRM) to increase the apparent number of colors displayed on 9-bit or 12-bit TFT panels. Dither and FRM are individually programmable. With dithering and FRM enabled, 185,193 colors are possible on a 9-bit TFT panel, and 226,981 colors are possible on a 12-bit TFT panel.

4.5.7 Display Modes

The GXm processor supports 640x480, 800x600, and 1024x768 display resolutions at both 8 and 16 bits per pixel. In addition, 1280x1024 resolution is supported at 8 bits per pixel only. Two 16-bit display formats are supported: RGB 5-6-5 and RGB 5-5-5. All CRT modes use VESA-compatible timing. Table 4-26 on page 132 gives the supported CRT display modes.

Integrated Functions (Continued)

Table 4-26. TFT Panel Display Modes

Resolution	Simultaneous Colors	Refresh Rate (Hz)	DOTCLK Rate (MHz)	PCLK (MHz)	Panel Type	Maximum Displayed Colors (Note 1)
640x480 (Note 2)	8 BPP 256 colors out of a palette of 256	60	25.175	25.175	9-bit	$57^3 = 185,193$
					12-bit	$61^3 = 226,981$
					18-bit	$4^3 = 262,144$
	16 BPP 64 K colors 5-6-5	60	25.175	25.175	9-bit	$29 \times 57 \times 29 = 47,937$
					12-bit	$31 \times 61 \times 31 = 58,621$
					18-bit	$32 \times 64 \times 32 = 65,535$
800x600 (Note 2)	8 BPP 256 colors out of a palette of 256	60	40.0	40.0	9-bit	$57^3 = 185,193$
					12-bit	$61^3 = 226,981$
					18-bit	$64^3 = 262,144$
	16 BPP 64 K Colors 5-6-5	60	40.0	40.0	9-bit	$29 \times 57 \times 29 = 47,937$
					12-bit	$31 \times 61 \times 31 = 58,621$
					18-bit	$32 \times 64 \times 32 = 65,535$
1024x768	8 BPP 256 colors out of a palette of 256	60	65	32.5	9-bit/18-I/F	$57^3 = 185,193$
	16 BPP 64 K colors 5-6-5	60	65	32.5	9-bit/18-I/F	$29 \times 57 \times 29 = 47,937$

Notes: 1) 9-bit and 12-bit panels use FRM and dither to increase displayed colors. (See Section 4.5.6 "Dither and Frame-Rate Modulation" on page 131.)

2) All 640x480 and 800x600 modes can be run in simultaneous display with CRT.

Integrated Functions (Continued)

Table 4-27. TFT Panel Data Bus Formats

Panel Data Bus Bit	18-Bit TFT	12-Bit TFT	9-Bit TFT		
			640x480	1024x768	
17	R5	R5	R5	R5	Even
16	R4	R4	R4	R4	
15	R3	R3	R3	R3	
14	R2	R2		R5	Odd
13	R1			R4	
12	R0			R3	
11	G5	G5	G5	G5	Even
10	G4	G4	G4	G4	
9	G3	G3	G3	G3	
8	G2	G2		G5	Odd
7	G1			G4	
6	G0			G3	
5	B5	B5	B5	B5	Even
4	B4	B4	B4	B4	
3	B3	B3	B3	B3	
2	B2	B2		B5	Odd
1	B1			B4	
0	B0			B3	

Integrated Functions (Continued)

Table 4-28. CRT Display Modes

Resolution	Simultaneous Colors	Refresh Rate (Hz)	DOTCLK Rate (MHz)	PCLK (MHz)	Graphics Port Width (Bits)
640x480	8 BPP 256 colors out of a palette of 256	60	25.175	25.175	8
		72	31.5	31.5	8
		75	31.5	31.5	8
	16 BPP 64 K colors RGB 5-6-5	60	25.175	50.35	8
				25.175	16
		72	31.5	63.0	8
				31.5	16
				63.0	8
75	31.5	63.0	8		
		31.5	16		
800x600	8 BPP 256 colors out of a palette of 256	60	40.0	40.0	8
		72	50.0	50.0	8
		75	49.5	49.5	8
	16 BPP 64 K colors RGB 5-6-5	60	40.0	80.0	8
				40.0	16
		72	50.0	100	8
				50.0	16
				75	49.5
75	49.5	49.5	16		
1024x768	8 BPP 256 colors out of a palette of 256	60	65.0	65.0	8
		70	75.0	75.0	8
		75	78.5	78.5	8
	16 BPP 64 K colors RGB 5-6-5	60	65.0	65.0	16
		70	75.0	75.0	16
		75	78.5	78.5	16
1280x1024	8 BPP 256 colors out of a palette of 256	60	108.0	108.0	8
				54.0	16
		75	135.0	67.5	16

Integrated Functions (Continued)

4.5.8 Graphics Memory Map

The GXm processor supports a maximum of 4 MB of graphics memory and will map it to an address space (see Figure 4-2 on page 93) higher than the maximum amount of installed RAM. The graphics memory aperture physically resides at the top of the installed system RAM. The start address and size of the graphics memory aperture are programmable on 128 KB boundaries. Typically, the system BIOS sets the size and start address of the graphics memory aperture during the boot process based on the amount of installed RAM, user defined CMOS settings, and display resolution. The graphics pipeline and display controller address the graphics memory with a 20-bit offset (address bits [21:2]) and four byte enables into the graphics memory aperture. The graphics memory stores several buffers that are used to generate the display: the frame buffer, compressed display buffer, VGA memory, and cursor pattern(s). Any remaining off-screen memory within the graphics aperture may be used by the display driver as desired or not at all.

4.5.8.1 DC Memory Organization Registers

The display controller contains a number of registers that allow full programmability of the graphics memory organization. This includes starting offsets for each of the buffer regions described above, line delta parameters for the frame buffer and compression buffer, as well as compressed line-buffer size information. The starting offsets

for the various buffers are programmable for a high degree of flexibility in memory organization.

4.5.8.2 Frame Buffer and Compression Buffer Organization

The GXm processor supports primary display modes 640x480, 800x600, and 1024x768 at both 8 BPP and 16 BPP, and 1280x1024 at 8 BPP. Pixels will be packed into DWORDs as shown in Figure 4-15.

In order to simplify address calculations by the rendering hardware, the frame buffer is organized in an XY fashion where the offset is simply a concatenation of the X and Y pixel addresses. All 8 BPP display modes with the exception of 1280x1024 resolution will use a 1024-byte line delta between the starting offsets of adjacent lines. All 16 BPP display modes and 1280x1024x8 BPP display modes will use a 2048-byte line delta between the starting offsets of adjacent lines. If there is room, the space between the end of a line and the start of the next line will be filled with the compressed display data for that line, thus allowing efficient memory utilization. For 1024x768 display modes, the frame-buffer line size is the same as the line delta, so no room is left for the compressed display data between lines. In this case, the compressed display buffer begins at the end of the frame buffer region and is linearly mapped.

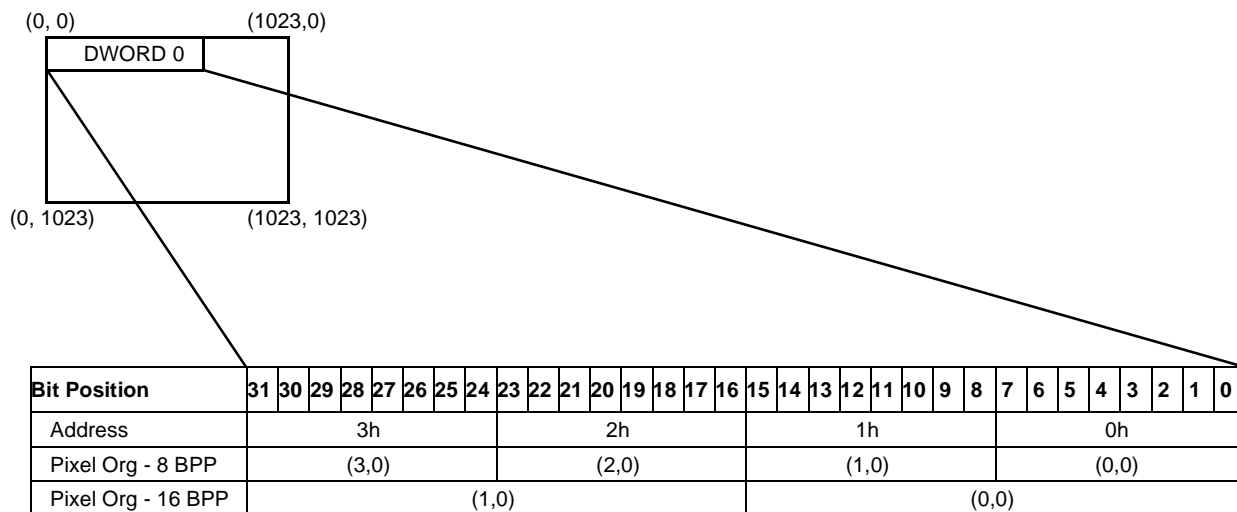


Figure 4-15. Pixel Arrangement Within a DWORD

Integrated Functions (Continued)

4.5.8.3 VGA Display Support

The graphics pipeline contains full hardware support for the VGA front end. The VGA data is stored in a 256 KB buffer located in graphics memory. The main task for SoftVGA is converting the data in the VGA buffer to an 8 BPP frame buffer that can be displayed by the GXm processor's hardware.

For some modes, the display controller can display the VGA data directly and the data conversion is not necessary. This includes standard VGA mode 13h and the variations of that mode used in several games; the display controller can also directly display VGA planar graphics modes D, E, F, 10, 11, and 12. Likewise, the hardware can directly display all of the higher-resolution VESA modes. Since the frame buffer data is written directly to memory instead of travelling across an external bus, the GXm processor outperforms typical VGA cards for these modes.

The display controller, however, does not directly support text modes. SoftVGA must then convert the characters and attributes in the VGA buffer to an 8 BPP frame buffer the hardware uses for display refresh. See Section 4 "Virtual Subsystem Architecture" for SoftVGA details.

4.5.8.4 Cursor Pattern Memory Organization

The cursor overlay patterns are loaded to independent memory locations, usually mapped above the frame buffer and compressed display buffer (off-screen). The cursor buffer must start on a 16-byte aligned boundary. It is linearly mapped, and is always 256 bytes in size. If there is enough room (256 bytes) after the compression-buffer line but before the next frame-buffer line starts, the cursor pattern may be loaded into this area to make efficient use of the graphics memory.

Each pattern is a 32x32-pixel array of 2-bit codes. The codes are a combination of AND mask and XOR mask for a particular pixel. Each line of an overlay pattern is stored as two DWORDs, with each DWORD containing the AND masks for 16 pixels in the upper word and the XOR masks for 16 pixels in the lower word. DWORDs are arranged with the leftmost pixel block being least significant and the rightmost pixel block being most significant. Pixels within words are arranged with the leftmost pixels being most significant and the rightmost pixels being least significant.

Multiple cursor patterns may be loaded into the off-screen memory. An application may simply change the cursor start offset to select a new cursor pattern. The new cursor pattern will be used at the start of the next frame scan.

4.5.9 Display Controller Registers

The Display Controller maps 100h locations starting at GX_BASE+8300h. Refer to Section 4.1.2 "Control Registers" on page 94 for instructions on accessing these registers.

The Display Controller Registers are divided into six categories:

- Configuration and Status Registers
- Memory Organization Registers
- Timing Registers
- Cursor and Line Compare Registers
- Color Registers
- Palette and RAM Diagnostic Registers

Table 4-29 summarizes these registers and locations and the following subsections give detailed register/bit formats.

Table 4-29. Display Controller Register Summary

GX_BASE+ Memory Offset	Type	Name/Function	Default Value
Configuration and Status Registers			
8300h-8303h	R/W	DC_UNLOCK Display Controller Unlock — This register is provided to lock the most critical memory-mapped display controller registers to prevent unwanted modification (write operations). Read operations are always allowed.	00000000h
8304h-8307h	R/W	DC_GENERAL_CFG Display Controller General Configuration — General control bits for the display controller.	00000000h
8308h-830Bh	R/W	DC_TIMING_CFG Display Controller Timing Configuration — Status and control bits for various display timing functions.	xx000000h
830Ch-830Fh	R/W	DC_OUTPUT_CFG Display Controller Output Configuration — Status and control bits for pixel output formatting functions.	xx000000h
Memory Organization Registers			
8310h-8313h	R/W	DC_FB_ST_OFFSET Display Controller Frame Buffer Start Address — Specifies offset at which the frame buffer starts.	xxxxxxxxh

Integrated Functions (Continued)

Table 4-29. Display Controller Register Summary (Continued)

GX_BASE+ Memory Offset	Type	Name/Function	Default Value
8314h-8317h	R/W	DC_CB_ST_OFFSET Display Controller Compression Buffer Start Address — Specifies offset at which the compressed display buffer starts.	xxxxxxxxh
8318h-831Bh	R/W	DC_CURS_ST_OFFSET Display Controller Cursor Buffer Start Address — Specifies offset at which the cursor memory buffer starts.	xxxxxxxxh
831Ch-831Fh	--	Reserved	00000000h
8320h-8323h	R/W	DC_VID_ST_OFFSET Display Controller Video Start Address — Specifies offset at which the video buffer starts.	xxxxxxxxh
8324h-8327h	R/W	DC_LINE_DELTA Display Controller Line Delta — Stores line delta for the graphics display buffers.	xxxxxxxxh
8328h-832Bh	R/W	DC_BUF_SIZE Display Controller Buffer Size — Specifies the number of bytes to transfer for a line of frame buffer data and the size of the compressed line buffer.	xxxxxxxxh
832Ch-832Fh	--	Reserved	00000000h
Timing Registers			
8330h-8333h	R/W	DC_H_TIMING_1 Display Controller Horizontal and Total Timing — Horizontal active and total timing information.	xxxxxxxxh
8334h-8337h	R/W	DC_H_TIMING_2 Display Controller CRT Horizontal Blanking Timing — CRT horizontal blank timing information.	xxxxxxxxh
8338h-833Bh	R/W	DC_H_TIMING_3 Display Controller CRT Sync Timing — CRT horizontal sync timing information.	xxxxxxxxh
833Ch-833Fh	R/W	DC_FP_H_TIMING Display Controller Flat Panel Horizontal Sync Timing: Horizontal sync timing information for an attached flat panel display.	xxxxxxxxh
8340h-8343h	R/W	DC_V_TIMING_1 Display Controller Vertical and Total Timing — Vertical active and total timing information. The parameters pertain to both CRT and flat panel display.	xxxxxxxxh
8344h-8247h	R/W	DC_V_TIMING_2 Display Controller CRT Vertical Blank Timing — Vertical blank timing information.	xxxxxxxxh
8348h-834Bh	R/W	DC_V_TIMING_3 Display Controller CRT Vertical Sync Timing — CRT vertical sync timing information.	xxxxxxxxh
834Ch-834Fh	R/W	DC_FP_V_TIMING Display Controller Flat Panel Vertical Sync Timing — Flat panel vertical sync timing information.	xxxxxxxxh
Cursor and Line Compare Registers			
8350h-8353h	R/W	DC_CURSOR_X Display Controller Cursor X Position — X position information of the hardware cursor.	xxxxxxxxh
8354h-8357h	RO	DC_V_LINE_CNT Display Controller Vertical Line Count — This read only register provides the current scan-line for the display. It is used by software to time update of the frame buffer to avoid tearing artifacts.	xxxxxxxxh
8358h-835Bh	R/W	DC_CURSOR_Y Display Controller Cursor Y Position — Y position information of the hardware cursor.	xxxxxxxxh
835Ch-835Fh	R/W	DC_SS_LINE_CMP Display Controller Split-Screen Line Compare — Contains the line count at which the lower screen begins in a VGA split-screen mode.	xxxxxxxxh

Integrated Functions (Continued)

Table 4-29. Display Controller Register Summary (Continued)

GX_BASE+ Memory Offset	Type	Name/Function	Default Value
Color Registers			
8360h-8363h	R/W	DC_CURSOR_COLOR Display Controller Cursor Color — Contains the 8-bit indices for the cursor colors.	xxxxxxxh
8364h-8367h	--	Reserved	0000000h
8368h-836Bh	R/W	DC_BORDER_COLOR Display Controller Border Color — Contains the 8-bit index for the border or overscan color.	xxxxxxxh
836Ch-836Fh	--	Reserved	0000000h
Palette and RAM Diagnostic Registers			
8370h-8373h	R/W	DC_PAL_ADDRESS Display Controller Palette Address — This register should be written with the address (index) location to be used for the next access to the DC_PAL_DATA register.	xxxxxxxh
8374h-8377h	R/W	DC_PAL_DATA Display Controller Palette Data — Contains the data for a palette access cycle.	xxxxxxxh
8378h-837Bh	R/W	DC_DFIFO_DIAG Display Controller Display FIFO Diagnostic — This register is provided to enable testability of the Display FIFO RAM.	xxxxxxxh
837Ch-837Fh	R/W	DC_CFIFO_DIAG Display Controller Compression FIFO Diagnostic — This register is provided to enable testability of the Compressed Line Buffer (FIFO) RAM.	xxxxxxxh

Integrated Functions (Continued)

4.5.9.1 Configuration and Status Registers

The Configuration and Status Registers group consists of four 32-bit registers located at GX_BASE+8300h-830Ch. These registers are described below and Table 4-30 gives their bit formats.

- Display Controller Unlock (DC_UNLOCK)
 - This register is provided to lock the most critical memory-mapped display controller registers to prevent unwanted modification (write operations). Read operations are always allowed.
- Display Controller General Configuration (DC_GENERAL_CFG)
 - General control bits for the display controller.
- Display Controller Timing Configuration (DC_TIMING_CFG)
 - Status and control bits for various display timing functions.
- Display Controller Output Configuration (DC_OUTPUT_CFG)
 - Status and control bits for pixel output formatting functions.

Table 4-30. Display Controller Configuration and Status Registers

Bit	Name	Description
GX_BASE+8300h-8303h		DC_UNLOCK Register (R/W) Default Value = 00000000h
31:16	RSVD	Reserved: Set to 0.
15:0	UNLOCK_CODE	Unlock Code: This register must be written with the value 4758h in order to write to the protected registers. The following registers are protected by the locking mechanism. DC_GENERAL_CFG DC_CB_ST_OFFSET, DC_BUF_SIZE, DC_V_TIMING_2, DC_TIMING_CFG, DC_CURS_ST_OFFSET, DC_H_TIMING_1, DC_V_TIMING_3 DC_OUTPUT_CFG, DC_H_TIMNG_2, DC_FP_H_TIMING DC_FB_ST_OFFSET, DC_LINE_DELTA, DC_FP_V_TIMING
GX_BASE+8304h-8307h		DC_GENERAL_CFG (R/W) Default Value = 00000000h
31	DDCK	Divide Dot Clock: Divide internal DOTCLK by two relative to PCLK (pertains only to 16 BPP display modes utilizing an eight-bit RAMDAC): 0 = Disable; 1 = Enable.
30	DPCK	Divide Pixel Clock: Divide PCLK by two relative to internal DOTCLK (pertains only to display modes that pack two pixels together such as 1280x1024 on an external CRT only): 0 = Disable; 1 = Enable.
29	VRDY	Video Ready Protocol: 0 = Low speed video port, use with V2.3 and older. 1 = High speed video port, use with V2.4 and newer.
28	VIDE	Video Enable: Motion video port: 0 = Disable; 1 = Enable.
27	SSLC	Split-screen Line Compare: VGA line compare function: 0 = Disable; 1 = Enable. When enabled, the internal line counter will be compared to the value programmed in the DC_SS_LINE_CMP register. If it matches, the frame buffer address will be reset to zero. This enables a split screen function.
26	CH4S	Chain 4 Skip: Allow display controller to read every 4th DWORD from the frame buffer for compatibility with the VGA: 0 = Disable; 1 = Enable.
25	DIAG	FIFO Diagnostic Mode: This bit allows testability of the on-chip Display FIFO and Compressed Line Buffer via the diagnostic access registers. A low-to-high transition will reset the Display FIFO's R/W pointers and the Compressed Line Buffer's read pointer. 0 = Normal operation; 1 = Enable.
24	LDBL	Line Double: Allow line doubling for emulated VGA modes: 0 = Disable; 1 = Enable. If enabled, this will cause each odd line to be replicated from the previous line as the data is sent to the display. Timing parameters should be programmed as if no pixel doubling is used, however, the frame buffer should be loaded with half the normal number of lines.
23	CKWR	Clock Write: This bit will be output directly to an external clock chip or SYNDAC. The bit should be pulsed high and low by the software to strobe data into the chip. Note that this bit can be used in conjunction with the DACRS[2:0] pins.
22:20	DAC_RS[2:0]	RAMDAC Register Selects: This 3-bit field sets the register select inputs to the external RAMDAC for the next cycle. It is used to allow access to the extended register set of the RAMDAC. Alternatively, these bits may be used in selecting the frequency for an external clock chip or SYNDAC. If more than eight frequency selections are required, the RAMDAC extended register programming sequence must be used or the additional select bit must be provided by some other means.

Integrated Functions (Continued)

Table 4-30. Display Controller Configuration and Status Registers (Continued)

Bit	Name	Description
19	RTPM	Real-Time Performance Monitoring: Allows real-time monitoring of a variety of internal GXm processor signals by multiplexing the signals onto the CLKWR and DACRS[2:0] pins: 0 = Disable (Normal operation); 1 = Enable. The CLKWR pin should not be fed to a clock chip or SYNDAC when this mode of operation is used, a different programming scheme should be used for the clock chip using the DACRS[2:0] signals and RAM-DACRD# and RAMDACWR# signals. The selection of output signals is made using bits [27:16] of the DC_BUF_SIZE register. The lower 12 bits of this field will select one of eight outputs for each pin.
18	FDTY	Frame Dirty Mode: Allow entire frame to be flagged as dirty whenever a pixel write occurs to the frame buffer (this is provided for modes that use a linearly mapped frame buffer for which the line delta is not equal to 1024 or 2048 bytes): 0 = Disable; 1 = Enable. When disabled, dirty bits are set according to the Y address of the pixel write.
17	RSVD	Reserved: Set to 0.
16	CMPI	Compressor Insert Mode: Insert one static frame between update frames: 0 = Disable; 1 = Enable. An update frame is referred to as a frame in which dirty lines will be allowed to be updated. Conversely, a static frame is referred to as a frame in which dirty lines will not be updated (although the image may not be static, since lines that are not compressed successfully must be retrieved from the uncompressed frame buffer).
15:12	DFIFO HI-PRI END LVL	Display FIFO High Priority End Level: This field specifies the depth of the display FIFO (in 64-bit entries x 4) at which a high-priority request previously issued to the memory controller will end. The value is dependent upon display mode. This register should always be non-zero and should be larger than the start level.
11:8	DFIFO HI-PRI START LVL	Display FIFO High Priority Start Level: This field specifies the depth of the display FIFO (in 64-bit entries x 4) at which a high-priority request will be sent to the memory controller to fill up the FIFO. The value is dependent upon display mode. This register should always be nonzero and should be less than the high-priority end level.
7:6	DCLK_ MUL	DCLK Multiplier: This 2-bit field specifies the clock multiplier for the input DCLK pin. After the input clock is optionally multiplied, the internal DOTCLK, PCLK, and FPCLK may be divided as necessary. 00 = Forced Low 01 = 1 x DCLK 10 = 2 x DCLK 11 = 4 x DCLK
5	DECE	Decompression Enable: Allow operation of internal decompression hardware: 0 = Disable; 1 = Enable.
4	CMPE	Compression Enable: Allow operation of internal compression hardware: 0 = Disable; 1 = Enable
3	PPC	Pixel Panning Compatibility: This bit has the same function as that found in the VGA. Allow pixel alignment to change when crossing a split-screen boundary - it will force the pixel alignment to be 16-byte aligned: 0 = Disable; 1 = Enable. If disabled, the previous alignment will be preserved when crossing a split-screen boundary.
2	DVCK	Divide Video Clock: Selects frequency of VID_CLK pin: 0 = VID_CLK pin frequency is equal to one-half ($\frac{1}{2}$) the frequency of the core clock. 1 = VID_CLK pin frequency is equal to one-fourth ($\frac{1}{4}$) the frequency of the core clock. Note: Bit 28 (VIDE) must be set to 1 for this bit to be valid.
1	CURE	Cursor Enable: Allow operation of internal hardware cursor: 0 = Disable; 1 = Enable.
0	DFLE	Display FIFO Load Enable: Allow the display FIFO to be loaded from memory: 0 = Disable; 1 = Enable. If disabled, no write or read operations will occur to the display FIFO. If enabled, a flat panel should be powered down prior to setting this bit low. Similarly, if active, a CRT should be blanked prior to setting this bit low.

Integrated Functions (Continued)

Table 4-30. Display Controller Configuration and Status Registers (Continued)

Bit	Name	Description
GX_BASE+8308h-830Bh DC_TIMING_CFG Register (R/W) Default Value = xxx00000h		
31	VINT (RO)	Vertical Interrupt (Read Only): Is a vertical interrupt pending? 0 = No; 1 = Yes. This bit is provided to maintain backward compatibility with the VGA. It corresponds to VGA port 3C2h bit 7.
30	VNA (RO)	Vertical Not Active (Read Only): Is the active part of a vertical scan is in progress (i.e. retrace, blanking, or border)? 0 = Yes; 1 = No. This bit is provided to maintain backward compatibility with the VGA. It corresponds to VGA port 3BA/3DA bit 3.
29	DNA (RO)	Display Not Active (Read Only): Is the active part of a line is being displayed (i.e. retrace, blanking, or border)? 0 = Yes; 1 = No. This bit is provided to maintain backward compatibility with the VGA. It corresponds to VGA port 3BA/3DA bit 0.
28	SENS (RO)	Monitor Sense (Read Only): This bit returns the result of the voltage comparator test of the RGB lines from the external RAMDAC. The value will be a low level if one or more of the comparators exceed the 340 mV level indicating an unloaded line. This bit can be tested repeatedly to determine the loading on the red, green, and blue lines by loading the palette with various values. The BIOS can then determine whether a color, monochrome, or no monitor is attached. If no RAMDAC is attached, the BIOS should assume that a color panel is attached and operate in color mode. For VGA emulation, read operations to port 3C2 bit 4 are redirected here.
27	DDCI (RO)	DDC Input (Read Only): This bit returns the value from the DDCIN pin that should reflect the value from pin 12 of the VGA connector. It is used to provide support for the VESA Display Data Channel standard level DDC1.
26:20	RSVD	Reserved: Set to 0.
19:17	PWR_SEQ DELAY	Power Sequence Delay: This 3-bit field sets the delay between edges for the power sequencing control logic. The actual delay is this value multiplied by one frame period (typically 16ms). Note that a value of zero will result in a delay of only one DOTCLK period.
16	BKRT	Blink Rate: 0 = Cursor blinks on every 16 frames for a duration of 8 frames (approximately 4 times per second) and VGA text characters will blink on every 32 frames for a duration of 16 frames (approximately 2 times per second). 1 = Cursor blinks on every 32 frames for a duration of 16 frames (approximately 2 times per second) and VGA text characters blink on every 64 frames for a duration of 32 frames (approximately 1 time per second).
15	PXDB	Pixel Double: Allow pixel doubling to stretch the displayed image in the horizontal dimension: 0 = Disable; 1 = Enable. If bit 15 is enabled, timing parameters should be programmed as if no pixel doubling is used, however, the frame buffer should be loaded with half the normal pixels per line. Also, the FB_LINE_SIZE parameter in DC_BUF_SIZE should be set for the number of bytes to be transferred for the line rather than the number displayed.
14	INTL	Interlace Scan: Allow interlaced scan mode: 0 = Disable (non-interlaced scanning is supported) 1 = Enable (If a flat panel is attached, it should be powered down before setting this bit.)
13	PLNR	VGA Planar Mode: This bit must be set high for all VGA planar display modes.
12	FCEN	Flat Panel Center: Allows the border and active portions of a scan line to be qualified as "active" to a flat panel display via the ENADISP signal. This allows the use of a large border region for centering the flat panel display. 0 = Disable; 1 = Enable. When disabled, only the normal active portion of the scan line will be qualified as active.
11	FVSP	Flat Panel Vertical Sync Polarity: 0 = Causes TFT vertical sync signal to be normally low, generating a high pulse during sync interval. 1 = Causes TFT vertical sync signal to be normally high, generating a low pulse during sync interval.
10	FHSP	Flat Panel Horizontal Sync Polarity: 0 = Causes TFT horizontal sync signal to be normally low, generating a high pulse during sync interval. 1 = Causes TFT horizontal sync signal to be normally high, generating a low pulse during sync interval.

Integrated Functions (Continued)

Table 4-30. Display Controller Configuration and Status Registers (Continued)

Bit	Name	Description
9	CVSP	CRT Vertical Sync Polarity: 0 = Causes CRT VSYNC signal to be normally low, generating a high pulse during the retrace interval. 1 = Cause CRT VSYNC signal to be normally high, generating a low pulse during the retrace interval.
8	CHSP	CRT Horizontal Sync Polarity: 0 = Causes CRT HSYNC signal to be normally low, generating a high pulse during the retrace interval. 1 = Causes CRT HSYNC signal to be normally high, generating a low pulse during the retrace interval.
7	BLNK	Blink Enable: Blink circuitry: 0 = Disable; 1 = Enable. If enabled, the hardware cursor will blink as well as any pixels. This is provided to maintain compatibility with VGA text modes. The blink rate is determined by the bit 16 (BKRT).
6	VIEN	Vertical Interrupt Enable: Generate a vertical interrupt on the occurrence of the next vertical sync pulse: 0 = Disable, vertical interrupt is cleared; 1 = Enable. This bit is provided to maintain backward compatibility with the VGA.
5	TGEN	Timing Generator Enable: Allow timing generator to generate the timing control signals for the display. 0 = Disable, the Timing Registers may be reprogrammed, and all circuitry operating on the DOTCLK will be reset. 1 = Enable, no write operations are permitted to the Timing Registers.
4	DDCK	DDC Clock: This bit is used to provide the serial clock for reading the DDC data pin. This bit is multiplexed onto the CRTVSYNC pin, but in order for it to have an effect, the VSYE bit must be set low to disable the normal vertical sync. Software should then pulse this bit high and low to clock data into the GXm processor. This feature is provided to allow support for the VESA Display Data Channel standard level DDC1.
3	BLKE	Blank Enable: Allow generation of the composite blank signal to the display device: 0 = Disable; 1 = Enable. When disabled, the BLANK# output will be a static low level. This allows VESA DPMS compliance.
2	VSYE	Horizontal Sync Enable: Allow generation of the horizontal sync signal to a CRT display device: 0 = Disable; 1 = Enable. When disabled, the HSYNC output will be a static low level. This allows VESA DPMS compliance. Note that this bit only applies to the CRT; the flat panel HSYNC is controlled by the automatic power sequencing logic.
1	HSYE	Vertical Sync Enable: Allow generation of the vertical sync signal to a CRT display device: 0 = Disable; 1 = Enable. When disabled, the VSYNC output will be a static low level. This allows VESA DPMS compliance. Note that this bit only applies to the CRT; the flat panel VSYNC is controlled by the automatic power sequencing logic.
0	FPPE	Flat Panel Power Enable: On a low-to-high transition this bit will enable the flat panel power-up sequence to begin. This will first turn on VDD to the panel, then start the clocks, syncs, and pixel bus, then turn on the LCD bias voltage, and finally the backlight. On a high-to-low transition, this bit will disable the outputs in the reverse order.

GX_BASE+830Ch-830Fh

DC_OUTPUT_CFG Register (R/W)

Default Value = xxx00000h

31:16	RSVD	Reserved: Set to 0.
15	DIAG	Compressed Line Buffer Diagnostic Mode: This bit will allow testability of the Compressed Line Buffer via the diagnostic access registers. A low-to-high transition will reset the Compressed Line Buffer write pointer. 0 = Disable (Normal operation); 1 = Enable.
14	CFRW	Compressed Line Buffer Read/Write Select: Enables the read/write address to the Compressed Line Buffer for use in diagnostic testing of the RAM. 0 = Write address enabled 1 = Read address enabled
13	PDEH	Panel Data Enable High: 0 = The PANEL[17:9] data bus to be driven to a logic low level to effectively blank an attached flat panel display or disable the upper pixel data bus for 16-bit pixel port RAMDACs. 1 = If no flat panel is attached, the PANEL[17:9] data bus will be driven with active pixel data. If a flat panel is attached, setting this bit high will have no effect – the upper panel bus will be driven based upon the power sequencing logic.

Integrated Functions (Continued)

Table 4-30. Display Controller Configuration and Status Registers (Continued)

Bit	Name	Description
12	PDEL	Panel Data Enable Low: 0 = This bit will cause the PANEL[8:0] data bus to be driven to a logic low level to effectively blank an attached flat panel display or disable the lower panel data bus if it is not required. 1 = If no flat panel is attached, the PANEL[8:0] data bus will be driven with active pixel data. If a flat panel is attached, setting this bit high will have no effect – the lower panel bus will be driven based upon the power sequencing logic.
11	PRMP	Palette Re-map: 0 = The modified codes are sent to the RAMDAC and the external palette should use the modified mapping. 1 = Bits [8:1] of the palette output register are routed to the RAMDAC data bus. The GXm processor internal palette RAM may be loaded with 8-bit VGA indices to translate the modified codes stored in display memory so that the RAMDAC data bus will contain the expected indices. The modified codes are used to achieve character blinking in VGA text modes. This mode should be set high only for desktop systems with no flat panel attached. It should only be necessary when 8514/A or VESA standard feature connector support is required.
10	CKSL	Clock Select: Selects output used to clock PANEL[17:0], FPVSYNC, FPVSYNC, and ENADISP output pins. 1 = PCLK 0 = FPCLK (based upon the power sequencing logic) This bit should be high when using a 16-bit RAMDAC.
9	FRMS	Frame Rate Modulation Select: 0 = Enables FRM circuitry to change the pattern displayed every frame. 1 = Enables FRM circuitry to change the pattern displayed every two frames (to allow for slower response time liquid crystal materials).
8	3/4ADD	3- or 4-bit Add: 0 = Enables dither and FRM circuitry to operate on the 3 most significant bits of each color component for 9-bit TFT panels. 1 = Enables the dither and FRM circuitry to operate on the 4 most significant bits of each color component for 12-bit TFT panels.
7	RSVD	Reserved: Must be set to 0.
6	RSVD	Reserved: Must be set to 0.
5	RSVD	Reserved: Must be set to 0.
4	DITE	Dither Enable: Allow a 2x2 spatial dither on the 3-bit or 4-bit color value. Note that dither will not be supported for 12-bit TFT panels when FRM is enabled. 0 = Disable; 1 = Enable.
3	FRME	Frame-Rate Modulation Enable: Allow FRM to be performed on the 3-bit or 4-bit color value using the next most significant bit after the least significant bit sent to the panel. 0 = Disable (no FRM performed); 1 = Enable.
2	PCKE	PCLK Enable: 0 = PCLK is disabled and a low logic level is driven off-chip. Also, the RAMDAC data bus is driven low. 1 = Enable PCLK to be driven off-chip. This clock operates the RAMDAC interface.
1	16FMT	16 BPP Format: Selects RGB display mode: 0 = RGB 5-6-5 mode 1 = RGB 5-5-5 display mode This bit is only significant if 8 BPP is low, indicating 16 BPP mode.
0	8BPP	8 BPP / 16 BPP Select: 0 = 16-bit per pixel display mode is selected. (Bit 1 of OUTPUT_CONFIG will indicate the format of the 16 bit data.) 1 = 8-bit-per-pixel display mode is selected. This is also the mode used in VGA emulation.

Integrated Functions (Continued)

4.5.10 Memory Organization Registers

The GXm processor utilizes a graphics memory aperture that is up to 4 MB in size. The base address of the graphics memory aperture is stored in the DRAM controller. The graphics memory is made up of the normal uncompressed frame buffer, compressed display buffer, and cursor buffer. Each buffer begins at a programmable offset within the graphics memory aperture.

The various memory buffers are arranged so as to efficiently pack the data within the graphics memory aperture. This requires flexibility in the way that the buffers are arranged when different display modes are in use. The cursor buffer is a linear block so addressing is straightforward. The frame buffer and compressed display buffer are arranged based upon scan lines. Each scan line has a maximum number of valid or active DWORDs and a delta, that when added to the previous line offset, points to the next line. In this way, the buffers may be stored as linear blocks or as logical blocks as may be desired.

The Memory Organization Registers group consists of six 32-bit registers located at GX_BASE+8310h-8328h. These registers are described below and Table 4-31 gives their bit formats.

- Display Controller Frame Buffer Start Address (DC_FB_ST_OFFSET)
 - Specifies the offset at which the frame buffer starts.
- Display Controller Compression Buffer Start Address (DC_CB_ST_OFFSET)
 - Specifies the offset at which the compressed display buffer starts.
- Display Controller Cursor Buffer Start Address (DC_CURS_ST_OFFSET)
 - Specifies the offset at which the cursor memory buffer starts.
- Display Controller Video Start Address (DC_VID_ST_OFFSET)
 - Specifies the offset at which the video buffer starts.
- Display Controller Line Delta (DC_LINE_DELTA)
 - Stores the line delta for the graphics display buffers.
- Display Controller Buffer Size (DC_BUF_SIZE)
 - Specifies the number of bytes to transfer for a line of frame buffer data and the size of the compressed line buffer. (The compressed line buffer will be invalidated if it exceeds the CB_LINE_SIZE, bits [15:9].)

Table 4-31. Display Controller Memory Organization Registers

Bit	Name	Description
GX_BASE+8310h-8313h DC_FB_ST_OFFSET Register (R/W) Default Value = xxxxxxxh		
31:22	RSVD	Reserved: Set to 0.
21:0	FB_START_OFFSET	Frame Buffer Start Offset: This value represents the byte offset of the starting location of the <u>displayed</u> frame buffer. This value may be changed to achieve panning across a virtual desktop or to allow multiple buffering. When this register is programmed to a nonzero value, the compression logic should be disabled. The memory address defined by bits [21:4] will take effect at the start of the next frame scan. The pixel offset defined by bits [3:0] will take effect immediately (in general, it should only change during vertical blanking).
GX_BASE+8314h-8317h DC_CB_ST_OFFSET Register (R/W) Default Value = xxxxxxxh		
31:22	RSVD	Reserved: Set to 0.
21:0	CB_START_OFFSET	Compressed Display Buffer Start Offset: This value represents the byte offset of the starting location of the compressed display buffer. Bits [3:0] should always be programmed to zero so that the start offset is aligned to a 16-byte boundary. This value should change only when a new display mode is set due to a change in size of the frame buffer.

Integrated Functions (Continued)

Table 4-31. Display Controller Memory Organization Registers (Continued)

Bit	Name	Description															
GX_BASE+8318h-831Bh DC_CUR_ST_OFFSET Register (R/W) Default Value = xxxxxxxh																	
31:22	RSVD	Reserved: Set to 0.															
21:0	CUR_START_OFFSET	<p>Cursor Start Offset: This value represents the byte offset of the starting location of the cursor display pattern. Bits [1:0] should always be programmed to zero so that the start offset is DWORD aligned. The cursor data will be stored as a linear block of data. The active cursor will always be 32x32x2 bits in size. Multiple cursor patterns may be loaded into off-screen memory. The start offset is loaded at the start of a frame. Each cursor pattern will be exactly 256 bytes in size. Note that if there is a Y offset for the cursor pattern, the cursor start offset should be set to point to the first displayed line of the cursor pattern. The cursor code for a given pixel is determined by an AND mask and an XOR mask. Each line of a cursor will be stored as two DWORDs, with each DWORD containing the AND masks for 16 pixels in the upper word and the XOR masks for 16 pixels in the lower word. DWORDs will be arranged with the leftmost block of 16 pixels being least significant and the rightmost block being most significant. Pixels within words will be arranged with the leftmost pixels being most significant and the rightmost pixels being least significant. The 2-bit cursor codes are as follows.</p> <table border="1"> <thead> <tr> <th>AND</th> <th>XOR</th> <th>Displayed</th> </tr> </thead> <tbody> <tr> <td>0</td> <td>0</td> <td>Cursor Color 0</td> </tr> <tr> <td>0</td> <td>1</td> <td>Cursor Color 1</td> </tr> <tr> <td>1</td> <td>0</td> <td>Transparent – Background Pixel</td> </tr> <tr> <td>1</td> <td>1</td> <td>Inverted – Bit-wise Inversion of Background Pixel</td> </tr> </tbody> </table>	AND	XOR	Displayed	0	0	Cursor Color 0	0	1	Cursor Color 1	1	0	Transparent – Background Pixel	1	1	Inverted – Bit-wise Inversion of Background Pixel
AND	XOR	Displayed															
0	0	Cursor Color 0															
0	1	Cursor Color 1															
1	0	Transparent – Background Pixel															
1	1	Inverted – Bit-wise Inversion of Background Pixel															
GX_BASE+831Ch-831Fh Reserved Default Value = 0000000h																	
GX_BASE+8320h-8323h DC_VID_ST_OFFSET Register (R/W) Default Value = xxxxxxxh																	
31:21	RSVD	Reserved: Set to 0.															
20:0	VID_START_OFFSET	Video Buffer Start Offset Value: This is the value for the Video Buffer Start Offset. It represents the starting location for Video Buffer. Bits [3:0] should always be programmed as zero so that the start offset is aligned to a 16 byte boundary.															
GX_BASE+8324h-8327h DC_LINE_DELTA Register (R/W) Default Value = xxxxxxxh																	
31:22	RSVD	Reserved: Set to 0.															
21:12	CB_LINE_DELTA	Compressed Display Buffer Line Delta: This value represents number of DWORDs that, when added to the starting offset of the previous line, will point to the start of the next compressed line in memory. It is used to always maintain a pointer to the starting offset for the compressed display buffer line being loaded into the display FIFO.															
11:10	RSVD	Reserved: Set to 0.															
9:0	FB_LINE_DELTA	Frame Buffer Line Delta: This value represents number of DWORDs that, when added to the starting offset of the previous line, will point to the start of the next frame buffer line in memory. It is used to always maintain a pointer to the starting offset for the frame buffer line being loaded into the display FIFO.															
GX_BASE+8328h-832Bh DC_BUF_SIZE Register (R/W) Default Value = xxxxxxxh																	
31:30	RSVD	Reserved: Set to 0.															
29:16	VID_BUF_SIZE	Video Buffer Size: These bits set the video buffer size, in 64-byte segments. The maximum size is 1 MB.															
15:9	CB_LINE_SIZE	Compressed Display Buffer Line Size: This value represents the number of DWORDs for a valid compressed line plus 1. It is used to detect an overflow of the compressed data FIFO. It should never be larger than 41h or 65Dh since the maximum size of the compressed data FIFO is 64 DWORDs.															
8:0	FB_LINE_SIZE	<p>Frame Buffer Line Size: This value specifies the number of QWORDS (8-byte segments) to transfer for each display line from the frame buffer.</p> <p>If panning is enabled, this value can generally be programmed to the displayed number of QWORDS + 2 so that enough data is transferred to handle any possible alignment. Extra pixel data in the FIFO at the end of a line will automatically be discarded.</p>															
GX_BASE+832Ch-832Fh Reserved Default Value = 0000000h																	

Integrated Functions (Continued)

4.5.11 Timing Registers

The GXm processor timing registers control the generation of sync, blanking, and active display regions. They provide complete flexibility in interfacing to both CRT and flat panel displays. These registers will generally be programmed by the BIOS from an INT 10h call or by the extended mode driver from a display timing file. Note that the horizontal timing parameters are specified in character clocks, which actually means pixels divided by 8, since all characters are bit mapped. For interlaced display the vertical counter will be incremented twice during each display line, so vertical timing parameters should be programmed with reference to the total frame rather than a single field.

The Timing Registers group consists of six 32-bit registers located at GX_BASE+8330h-834Ch. These registers are described below and Table 4-32 gives their bit formats.

- Display Controller Horizontal and Total Timing (DC_H_TIMING_1)
 - Contains horizontal active and total timing information.
- Display Controller CRT Horizontal Blanking Timing (DC_H_TIMING_2 Register)
 - Contains CRT horizontal blank timing information.
- Display Controller CRT Sync Timing (DC_H_TIMING_3)
 - Contains CRT horizontal sync timing information. Note, however, that this register should also be programmed appropriately for flat panel only display since the horizontal sync transition determines when to advance the vertical counter.
- Display Controller Flat Panel Horizontal Sync Timing (DC_FP_H_TIMING)
 - Contains horizontal sync timing information for an attached flat panel display.
- Display Controller Vertical and Total Timing (DC_V_TIMING_1)
 - Contains vertical active and total timing information. The parameters pertain to both CRT and flat panel display.
- Display Controller CRT Vertical Blank Timing (DC_V_TIMING_2)
 - Contains vertical blank timing information.
- Display Controller CRT Vertical Sync Timing (DC_V_TIMING_3)
 - Contains CRT vertical sync timing information.
- Display Controller Flat Panel Vertical Sync Timing (DC_FP_V_TIMING)
 - Contains flat panel vertical sync timing information.

Table 4-32. Display Controller Timing Registers

Bit	Name	Description
GX_BASE+8330h-8333h DC_H_TIMING_1 Register (R/W) Default Value = xxxxxxxh		
31:27	RSVD	Reserved: Set to 0.
26:19	H_TOTAL	Horizontal Total: This field represents the total number of character clocks for a given scan line minus 1. Note that the value is necessarily greater than the H_ACTIVE field because it includes border pixels and blanked pixels. For flat panels, this value will never change. The field [26:16] may be programmed with the pixel count minus 1, although bits [18:16] are ignored. The horizontal total is programmable on 8-pixel boundaries only.
18:16	RSVD	Reserved: These bits are readable and writable but have no effect.
15:11	RSVD	Reserved: Set to 0.
10:3	H_ACTIVE	Horizontal Active: This field represents the total number of character clocks for the <u>displayed</u> portion of a scan line minus 1. The field [10:0] may be programmed with the pixel count minus 1, although bits [2:0] are ignored. The active count is programmable on 8-pixel boundaries only. Note that for flat panels, if this value is less than the panel active horizontal resolution (H_PANEL), the parameters H_BLANK_START, H_BLANK_END, H_SYNC_START, and H_SYNC_END should be reduced by the value of H_ADJUST (or the value of H_PANEL - H_ACTIVE / 2) to achieve horizontal centering.
2:0	RSVD	Reserved: These bits are readable and writable but have no effect.
Note: Note also that for simultaneous CRT and flat panel display the H_ACTIVE and H_TOTAL parameters pertain to both.		
GX_BASE+8334h-8337h DC_H_TIMING_2 Register (R/W) Default Value = xxxxxxxh		
31:27	RSVD	Reserved: Set to 0.
26:19	H_BLK_END	Horizontal Blank End: This field represents the character clock count at which the horizontal blanking signal becomes inactive minus 1. The field [26:16] may be programmed with the pixel count minus 1, although bits [18:16] are ignored. The blank end position is programmable on 8-pixel boundaries only.
18:16	RSVD	Reserved: These bits are readable and writable but have no effect.
15:11	RSVD	Reserved: Set to 0.

Integrated Functions (Continued)

Table 4-32. Display Controller Timing Registers (Continued)

Bit	Name	Description
10:3	H_BLK_START	Horizontal Blank Start: This field represents the character clock count at which the horizontal blanking signal becomes active minus 1. The field [10:0] may be programmed with the pixel count minus 1, although bits [2:0] are ignored. The blank start position is programmable on 8-pixel boundaries only.
2:0	RSVD	Reserved: These bits are readable and writable but have no effect.
Note: A minimum of four character clocks is required for the horizontal blanking portion of a line in order for the timing generator to function correctly.		
GX_BASE+8338h-833Bh DC_H_TIMING_3 Register (R/W) Default Value = xxxxxxxh		
31:27	RSVD	Reserved: Set to 0.
26:19	H_SYNC_END	Horizontal Sync End: This field represents the character clock count at which the CRT horizontal sync signal becomes inactive minus 1. The field [26:16] may be programmed with the pixel count minus 1, although bits [18:16] are ignored. The sync end position is programmable on 8-pixel boundaries only.
18:16	RSVD	Reserved: These bits are readable and writable but have no effect.
15:11	RSVD	Reserved: Set to 0.
10:3	H_SYNC_START	Horizontal Sync Start: This field represents the character clock count at which the CRT horizontal sync signal becomes active minus 1. The field [10:0] may be programmed with the pixel count minus 1, although bits [2:0] are ignored. The sync start position is programmable on 8-pixel boundaries only.
2:0	RSVD	Reserved: These bits are readable and writable but have no effect.
Note: This register should also be programmed appropriately for flat panel only display since the horizontal sync transition determines when to advance the vertical counter.		
GX_BASE+833Ch-833Fh C_FP_H_TIMING Register (R/W) Default Value = xxxxxxxh		
31:27	RSVD	Reserved: Set to 0.
26:16	FP_H_SYNC_END	Flat Panel Horizontal Sync End: This field represents the pixel count at which the flat panel horizontal sync signal becomes inactive minus 1.
15:11	RSVD	Reserved: Set to 0.
10:0	FP_H_SYNC_START	Flat Panel Horizontal Sync Start: This field represents the pixel count at which the flat panel horizontal sync signal becomes active minus 1.
Note: All values are specified in pixels rather than character clocks to allow precise control over sync position. Note, however, that for flat panels which combine two pixels per panel clock, these values should be odd numbers (even pixel boundary) to guarantee that the sync signal will meet proper setup and hold times.		
GX_BASE+8340h-8343h DC_V_TIMING_1 Register (R/W) Default Value = xxxxxxxh		
31:27	RSVD	Reserved: Set to 0.
26:16	V_TOTAL	Vertical Total: This field represents the total number of lines for a given frame scan minus 1. Note that the value is necessarily greater than the V_ACTIVE field because it includes border lines and blanked lines. If the display is interlaced, the total number of lines must be odd, so this value should be an even number.
15:11	RSVD	Reserved: Set to 0.
10:0	V_ACTIVE	Vertical Active: This field represents the total number of lines for the <u>displayed</u> portion of a frame scan minus 1. Note that for flat panels, if this value is less than the panel active vertical resolution (V_PANEL), the parameters V_BLANK_START, V_BLANK_END, V_SYNC_START, and V_SYNC_END should be reduced by the following value (V_ADJUST) to achieve vertical centering: $V_ADJUST = (V_PANEL - V_ACTIVE) / 2$ If the display is interlaced, the number of active lines should be even, so this value should be an odd number.
Note: All values are specified in lines.		
GX_BASE+8344h-8347h DC_V_TIMING_2 Register (R/W) Default Value = xxxxxxxh		
31:27	RSVD	Reserved: Set to 0.
26:16	V_BLANK_END	Vertical Blank End: This field represents the line at which the vertical blanking signal becomes inactive minus 1. If the display is interlaced, no border is supported, so this value should be identical to V_TOTAL.
15:11	RSVD	Reserved: Set to 0.

Integrated Functions (Continued)

Table 4-32. Display Controller Timing Registers (Continued)

Bit	Name	Description
10:0	V_BLANK_START	Vertical Blank Start: This field represents the line at which the vertical blanking signal becomes active minus 1. If the display is interlaced, this value should be programmed to V_ACTIVE plus 1.
Note: All values are specified in lines. For interlaced display, no border is supported, so blank timing is implied by the total/active timing.		
GX_BASE+8348h-834Bh DC_V_TIMING_3 Register (R/W) Default Value = xxxxxxxh		
31:27	RSVD	Reserved: Set to 0.
26:16	V_SYNC_END	Vertical Sync End: This field represents the line at which the CRT vertical sync signal becomes inactive minus 1.
15:11	RSVD	Reserved: Set to 0.
10:0	V_SYNC_START	Vertical Sync Start: This field represents the line at which the CRT vertical sync signal becomes active minus 1. For interlaced display, note that the vertical counter is incremented twice during each line and since there are an odd number of lines, the vertical sync pulse will trigger in the middle of a line for one field and at the end of a line for the subsequent field.
Note: All values are specified in lines.		
GX_BASE+834Ch-834Fh DC_FP_V_TIMING Register (R/W) Default Value = xxxxxxxh		
31:27	RSVD	Reserved: Set to 0.
26:16	FP_V_SYNC_END	Flat Panel Vertical Sync End: This field represents the line at which the flat panel vertical sync signal becomes inactive minus 2. Note that the internal flat panel vertical sync is latched by the flat panel horizontal sync prior to being output to the panel.
15:11	RSVD	Reserved: Set to 0.
10:0	FP_VSYNC_START	Flat Panel Vertical Sync Start: This field represents the line at which the internal flat panel vertical sync signal becomes active minus 2. Note that the internal flat panel vertical sync is latched by the flat panel horizontal sync prior to being output to the panel.
Note: All values are specified in lines.		

Integrated Functions (Continued)

4.5.12 Cursor Position Registers

The Cursor Position Registers contain pixel coordinate information for the cursor. These values are not latched by the timing generator until the start of the frame to avoid tearing artifacts when moving the cursor.

The Cursor Position group consists of four 32-bit registers located at GX_BASE+8350h-835Ch. These registers are described below and Table 4-33 gives their bit formats.

- Display Controller Cursor X Position (DC_CURSOR_X)
 - Contains the X position information of the hardware cursor.
- Display Controller Vertical Line Count (DC_V_LINE_CNT)
 - This register is read only. It provides the current scanline for the display. It is used by software to time update of the frame buffer to avoid tearing artifacts.
- Display Controller Cursor Y Position (DC_CURSOR_Y)
 - Contains the Y position information of the hardware cursor.
- Display Controller Split-Screen Line Compare (DC_SS_LINE_CMP)
 - Contains the line count at which the lower screen begins in a VGA split-screen mode.

Table 4-33. Display Controller Cursor Position Registers

Bit	Name	Description
GX_BASE+8350h-8353h DC_CURSOR_X Register (R/W) Default Value = xxxxxxxh		
31:16	RSVD	Reserved: Set to 0.
15:11	X_OFFSET	X Offset: This field represents the X pixel offset within the 32x32 cursor pattern at which the displayed portion of the cursor is to begin. Normally, this value is set to zero to display the entire cursor pattern, but for cursors for which the "hot spot" is not at the left edge of the pattern, it may be necessary to display the rightmost pixels of the cursor only as the cursor moves close to the left edge of the display.
10:0	CURSOR_X	Cursor X: This field represents the X coordinate of the pixel at which the upper left corner of the cursor is to be displayed. This value is referenced to the screen origin (0,0) which is the pixel in the upper left corner of the screen.
GX_BASE+8354h-8357h DC_V_LINE_CNT Register (RO) Default Value = xxxxxxxh		
31:11	RSVD	Reserved (Read Only)
10:0	V_LINE_CNT (RO)	Vertical Line Count (Read Only): This value is the current scanline of the display.
Note: The value in this register is driven directly off of the DOTCLK, and consequently it is not synchronized with the CPU clock. Software should read this register twice and compare the result to ensure that the value is not transitioning.		
GX_BASE+8358h-835Bh DC_CURSOR_Y Register (R/W) Default Value = xxxxxxxh		
31:16	RSVD	Reserved: Set to 0.
15:11	Y_OFFSET	Y Offset: This field represents the Y line offset within the 32x32 cursor pattern at which the displayed portion of the cursor is to begin. Normally, this value is set to zero to display the entire cursor pattern, but for cursors for which the "hot spot" is not at the top edge of the pattern, it may be necessary to display the bottommost lines of the cursor only as the cursor moves close to the top edge of the display. <u>Note that if this value is nonzero, the CUR_START_OFFSET must be set to point to the first cursor line to be displayed.</u>
10	RSVD	Reserved: Set to 0.
9:0	CURSOR_Y	Cursor Y: This field represents the Y coordinate of the line at which the upper left corner of the cursor is to be displayed. This value is referenced to the screen origin (0,0) which is the pixel in the upper left corner of the screen. This field is alternately used as the line-compare value for a newly-programmed frame buffer start offset. This is necessary for VGA programs that change the start offset in the middle of a frame. In order to use this function, the hardware cursor function should be disabled.
GX_BASE+835Ch-835Fh DC_SS_LINE_CMP Register (R/W) Default Value = xxxxxxxh		
31:11	RSVD	Reserved: Set to 0.
10:0	SS_LINE_CMP	Split-Screen Line Compare: This is the line count at which the lower screen begins in a VGA split-screen mode.
Note: When the internal line counter hits this value, the frame buffer address is reset to 0. This function is enabled with the SSLC bit in the DC_GENERAL_CFG register.		

Integrated Functions (Continued)

4.5.13 Color Registers

These registers are used in 8 BPP display mode with an external RAMDAC for passing cursor and border color indices to the palette in the RAMDAC. For the flat panel color translation, the cursor and border color data is loaded into palette extensions as described in the Palette Access Registers section.

The Color Registers group consists of two 32-bit registers located at GX_BASE+8360h-8368h. These registers are described below and Table 4-34 gives their bit formats.

- Display Controller Cursor Color (DC_CURSOR_COLOR)
 - Contains the 8-bit indices for the cursor colors.
- Display Controller Border Color (DC_BORDER_COLOR)
 - Contains the 8-bit index for the border or overscan color.

Table 4-34. Display Controller Color Registers

Bit	Name	Description
GX_BASE+8360h-8363h		DC_CURSOR_COLOR Register (R/W) Default Value = xxxxxxxh
31:16	RSVD	Reserved: Set to 0.
15:8	CURS_CLR_1	Cursor Color 1: This is the 8-bit index to the external palette for the cursor color 1. It should point to a reserved or static color.
7:0	CURS_CLR_0	Cursor Color 0: This is the 8-bit index to the external palette for the cursor color 0. It should point to a reserved or static color.
GX_BASE+8364h-8367h		Reserved Default Value = 0000000h
GX_BASE+8368h-836Bh		DC_BORDER_COLOR Register (RO) Default Value = xxxxxxxh
31:8	RSVD	Reserved: Set to 0.
7:0	BORDER_CLR	Border Color: This is the 8-bit index to the external palette for the border color. It should point to a reserved or static color.
GX_BASE+836Ch-836Fh		Reserved Default Value = 0000000h

Integrated Functions (Continued)

4.5.14 Palette Access Registers

These registers are used for accessing the internal palette RAM and extensions. In addition to the standard 256 entries for 8 BPP color translation, the GXm processor palette has extensions for cursor colors and overscan (border) color.

The Palette Access Register group consists of four 32-bit registers located at GX_BASE+8370h-837Ch. These registers are described below and Table 4-35 gives their bit formats.

- Display Controller Palette Address (DC_PAL_ADDRESS)
 - This register should be written with the address (index) location to be used for the next access to the DC_PAL_DATA register.

- Display Controller Palette Data (DC_PAL_DATA)
 - Contains the data for a palette access cycle.
- Display Controller Display FIFO Diagnostic (DC_DFIFO_DIAG)
 - This register is provided to enable testability of the Display FIFO RAM.
- Display Controller Compression FIFO Diagnostic (DC_CFIFO_DIAG)
 - This register is provided to enable testability of the Compressed Line Buffer (FIFO) RAM.

Table 4-35. Display Controller Palette and RAM Diagnostic Registers

Bit	Name	Description																
GX_BASE+8370h-8373h		DC_PAL_ADDRESS Register (R/W) Default Value = xxxxxxxh																
31:9	RSVD	Reserved: Set to 0.																
8:0	PALETTE_ADDR	<p>Palette Address: This 9-bit field specifies the address to be used for the next access to the DC_PAL_DATA register. Each access to the data register will automatically increment the palette address register. If non-sequential access is made to the palette, the address register must be loaded between each non-sequential data block. The address ranges are as follows.</p> <table border="0"> <tr> <td>Address</td> <td>Color</td> </tr> <tr> <td>0h - FFh</td> <td>Standard Palette Colors</td> </tr> <tr> <td>100h</td> <td>Cursor Color 0</td> </tr> <tr> <td>101h</td> <td>Cursor Color 1</td> </tr> <tr> <td>102h</td> <td>Reserved</td> </tr> <tr> <td>103h</td> <td>Reserved</td> </tr> <tr> <td>104h</td> <td>Overscan Color</td> </tr> <tr> <td>105h - 1FFh</td> <td>Not Valid</td> </tr> </table> <p>Note that in general, 18-bit values will be loaded for all color extensions. However, if a 16 BPP mode is active, only the appropriate most significant bits will be used (5-5-5 or 5-6-5). If an 8 BPP display mode is active and an external RAMDAC is used, the cursor index will be obtained from the DC_CURSOR_COLOR register. The border index will be obtained from the DC_BORDER_COLOR register.</p>	Address	Color	0h - FFh	Standard Palette Colors	100h	Cursor Color 0	101h	Cursor Color 1	102h	Reserved	103h	Reserved	104h	Overscan Color	105h - 1FFh	Not Valid
Address	Color																	
0h - FFh	Standard Palette Colors																	
100h	Cursor Color 0																	
101h	Cursor Color 1																	
102h	Reserved																	
103h	Reserved																	
104h	Overscan Color																	
105h - 1FFh	Not Valid																	
GX_BASE+8374h-8377h		DC_PAL_DATA Register (R/W) Default Value = xxxxxxxh																
31:18	RSVD	Reserved: Set to 0.																
17:0	PALETTE_DATA	Palette Data: This 18-bit field contains the read or write data for a palette access.																
<p>Note: When a read or write to the palette RAM occurs, the previous output value will be held for one additional DOTCLK period. This effect should go unnoticed and will provide for sparkle-free update. Prior to a read or write to this register, the DC_PAL_ADDRESS register should be loaded with the appropriate address. The address automatically increments after each access to this register, so for sequential access, the address register need only be loaded once</p>																		
GX_BASE+8378h-837Bh		DC_DFIFO_DIAG Register (R/W) Default Value = xxxxxxxh																

Integrated Functions (Continued)

4.5.15 CS5530 Display Controller Interface

As previously stated in Section 1.6 “Geode GXM/CS5530 System Designs” on page 11, the GXm processor interfaces with either the CS5530 I/O companion chip. This section will discuss the specifics on signal connections between the two devices with regards to the display controller.

When the GXm processor is used in a system with the CS5530 I/O companion chip, the need for an external RAMDAC is eliminated. The CS5530 contains the DACs, a video accelerator engine, and the TFT interface.

A GXm processor and CS5530-based system supports both portable and desktop configurations. Figure 4-16 shows the signal connections for both types of systems.

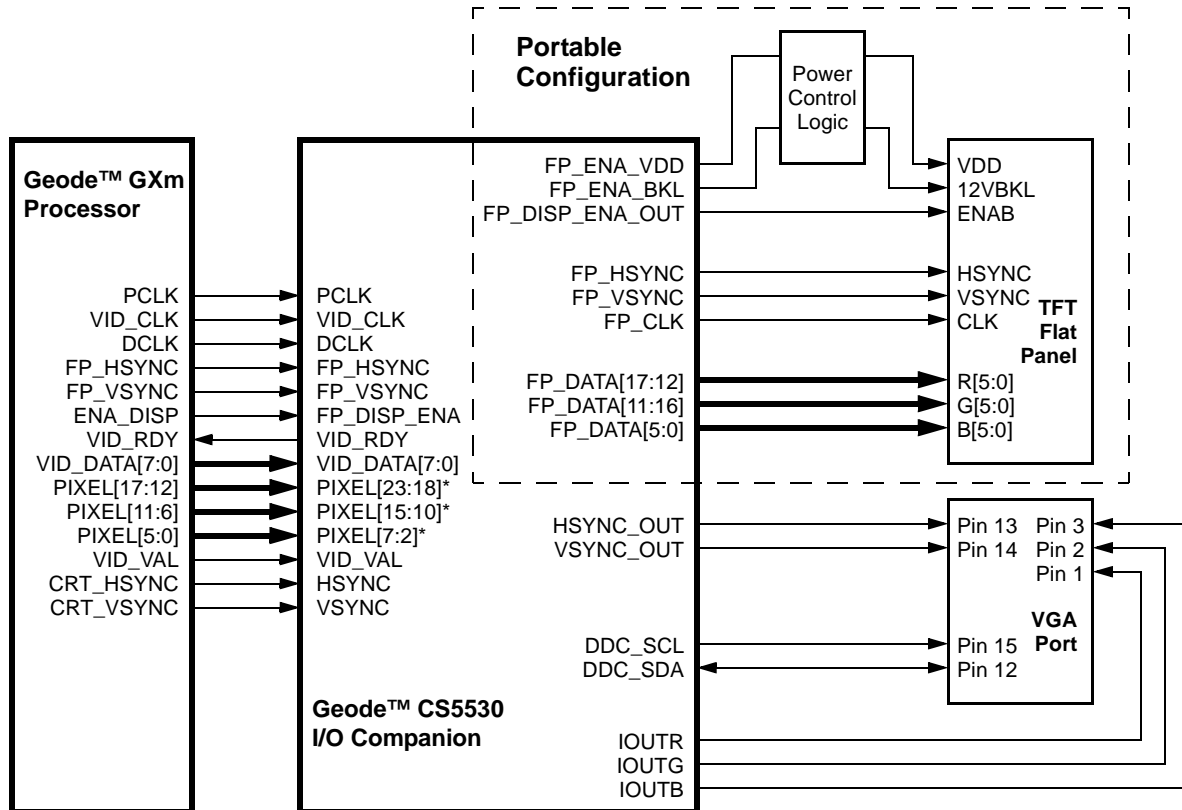


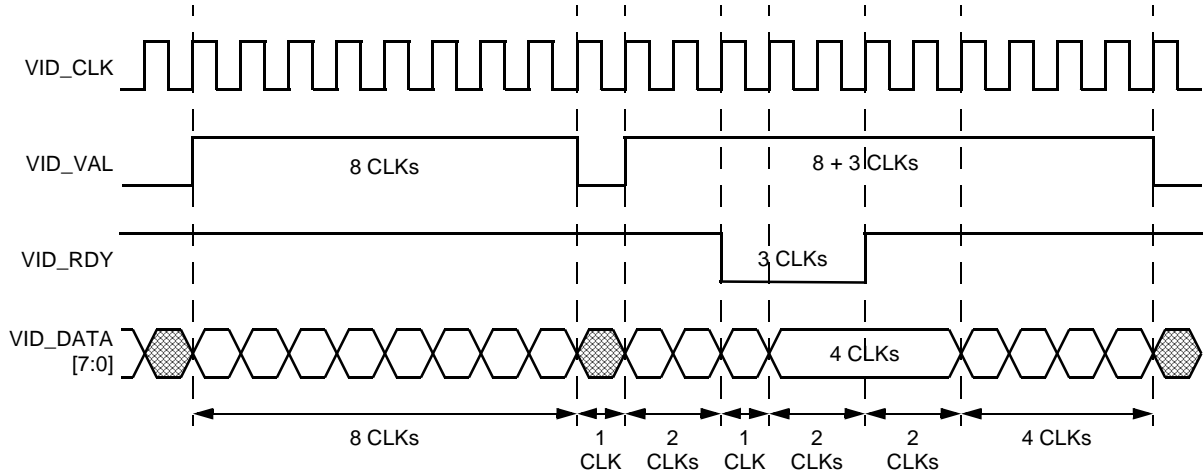
Figure 4-16. Display Controller Signal Connections

Integrated Functions (Continued)

4.5.15.1 CS5530 Video Port Data Transfer

VID_VAL indicates that the GXm processor has placed valid data on VID_DATA[7:0]. VID_RDY indicates that the CS5530 is ready to accept the next byte of video data.

VID_DATA[7:0] is advanced when both VID_VAL and VID_RDY are asserted. VID_RDY is driven one clock early to the GXm processor while VID_VAL is driven coincident with VID_DATA[7:0]. A sample interface functional timing diagram is shown in Figure 4-17.



Note: VID_CLK = CORE_CLK/2

Figure 4-17. Video Port Data Transfer (CS5530)

Integrated Functions (Continued)

4.6 PCI CONTROLLER

The GXm processor includes an integrated PCI controller with the following features.

4.6.1 X-Bus PCI Slave

- 16-byte PCI write buffer
- 16-byte PCI read buffer from X-bus
- Supports cache line bursting
- Write/Inv line support
- Pacing of data for read or write operations with X-bus
- No active byte enable transfers supported

4.6.2 X-Bus PCI Master

- 16 byte X-bus to PCI write buffer
- Configuration read/write Support
- Int Acknowledge support
- Lock conversion
- Support fast back-to-back cycles as slave

4.6.3 PCI Arbiter

- Fixed, rotating, hybrid, or ping-pong arbitration (programmable)
- Support four masters, three on PCI
- Internal REQ for CPU
- Master retry mask counter
- Master dead timer
- Resource or total system lock support

4.6.4 Generating Configuration Cycles

Configuration space is a physical address space unique to PCI. Configuration Mechanism #1 must be used by software to generate configuration cycles. Two DWORD I/O locations are used in this mechanism. The first DWORD location (CF8h) references a read/write register that is named CONFIG_ADDRESS. The second DWORD address (CFCh) references a register named CONFIG_DATA. The general method for accessing configuration space is to write a value into CONFIG_ADDRESS that specifies the PCI bus, device on that bus, and configuration register in that device being accessed. A read or write to CONFIG_DATA will then cause the bridge to translate that CONFIG_ADDRESS value to the requested configuration cycle on the PCI bus.

4.6.5 Generating Special Cycles

A special cycle is a broadcast message to the PCI bus. Two hardcoded special cycle messages are defined in the command encode: HALT and SHUTDOWN. Software can also generate special cycles by using special cycle generation for configuration mechanism #1 as described in the PCI Specification 3.6.4.1.2 and briefly described here. To initiate a special cycle from software, the host must write a value to CONFIG_ADDRESS encoded as shown in Table 4-36.

The next value written to CONFIG_DATA is the encoded special cycle. Type 0 or Type 1 conversion will be based on the Bus Bridge number matching the GXm processor's bus number of 00h.

Table 4-36. Special-Cycle Code to CONFIG_ADDRESS

31	30	24	23	22	21	20	19	18	17	16	15	14	13	12	11	10	9	8	7	6	5	4	3	2	1	0	
1	0	0	0	0	0	0	0	Bus No. = Bridge				1	1	1	1	1	1	1	0	0	0	0	0	0	0	T	T
CONFIG ENABLE	RSVD		BUS NUMBER								DEVICE NUMBER				FUNCTION NUMBER		REGISTER NUMBER						TRANS LATION TYPE				

Note: See Table 4-37 on page 156, bits [1:0] for translation type.

Integrated Functions (Continued)

4.6.6 PCI Configuration Space Control Registers

There are two registers in this category: CONFIG_ADDRESS and CONFIG_DATA.

The CONFIG_ADDRESS register contains the address information for the next configuration space access to CONFIG_DATA. Only DWORD accesses are permitted to

this register all others will be forwarded as normal I/O cycles to the PCI bus.

The CONFIG_DATA register contains the data that is sent or received during a PCI configuration space access.

Table 4-37 gives the bit formats for these two registers.

Table 4-37. PCI Configuration Registers

Bit	Name	Description
I/O Offset 0CF8h-0CFBh		CONFIG_ADDRESS Register (R/W) Default Value = 0000000h
31	CFG_EN	Config Enable: Determines when accesses should be translated to configuration cycles on the PCI bus, or treated as a normal I/O operation. This register will be updated only on full DWORD I/O operations to the CONFIG_ADDRESS. Any other accesses are treated as normal I/O cycles in order to allow I/O devices to use BYTE or WORD registers at the same address and remain unaffected. Once bit 31 is set high, subsequent accesses to CONFIG_DATA are then translated to configuration cycles. 1 = Generate configuration cycles 0 = Normal I/O cycles
30:24	RSVD	Reserved: Set to 0.
23:16	BUS	Bus: Specifies a PCI bus number in the hierarchy of 1 to 256 buses.
15:11	DEVICE	Device: Selects a device on a specified bus. A device value of 00h will select the GXm processor if the bus number is also 00h. DEVICE values of 01h to 15h will be mapped to AD[31:11], so only 21 of the 32 possible devices are supported. A DEVICE value of 00001b will map to AD[11] while a device of 10101b will map to AD[31].
10:8	FUNCTION	Function: Selects a function in a multi-function device.
7:2	REGISTER	Register: Chooses a configuration DWORD space register in the selected device.
1:0	TT	Translation Type Bits: These bits indicate if the configuration access is local or one that requires translation through other bridges to another PCI bus. When an access occurs to the CONFIG_DATA address and the specified bus number matches the GXm processor's bus number (00h), then a Type 0 translation takes place. For a Type 0 translation, the CONFIG_ADDRESS register values are translated to AD lines on the PCI bus. Note that bits 10:2 are passed unchanged. The DEVICE value is mapped to one of 21 AD lines. The translation type bits are set to 00 to indicate a transaction on the local PCI bus. When an access occurs to the CONFIG_DATA address and the specified bus number is not 00h (Type 1), the GXm processor passes this cycle to the PCI bus by copying the contents of the CONFIG_ADDRESS register onto the AD lines during the address phase of the cycle while driving the translation type bits AD[1:0] to 01.
I/O Offset 0CFCh-0CFFh		CONFIG_DATA (R/W) Default Value = 0000000h
31:0	CONFIG_DATA	Configuration Data Register: Contains the data that is sent or received during a PCI configuration space access. The register accessed is determined by the value in the CONFIG_ADDRESS register. The CONFIG_DATA register supports BYTE, WORD, or DWORD accesses. To access this register, bit 31 of the CONFIG_ADDRESS register must be set to 0 and a full DWORD I/O access must be done. Configuration cycles are performed when bit 31 of the CONFIG_ADDRESS register is set to 1

Integrated Functions (Continued)

4.6.7 PCI Configuration Space Registers

To access the internal PCI configuration registers of the GXm processor, the Configuration Address Register (CONFIG_ADDRESS) must be written as a DWORD using the format shown in Table 4-38. Any other size will be interpreted as an I/O write to Port 0CF8h. Also, when entering the Configuration Index, only the six most signifi-

cant bits of the offset are used, and the two least significant bits must be 00b.

Table 4-39 summarizes the registers located within the Configuration Space. The tables that follow, give detailed register/bit formats.

Table 4-38. Format for Accessing the Internal PCI Configuration Registers

31	30	29	28	27	26	25	24	23	22	21	20	19	18	17	16	15	14	13	12	11	10	9	8	7	6	5	4	3	2	1	0
1	RESERVED											0	0	0	0	0	0	0	0	0	0	0	0	Configuration Index						0	0

Table 4-39. PCI Configuration Space Register Summary

Index	Type	Name	Default Value
00h-01h	RO	Vendor Identification	1078h
02h-03h	RO	Device Identification	0001h
04h-05h	R/W	PCI Command	0007h
06h-07h	R/W	Device Status	0280h
08h	RO	Revision Identification	00h
09h-0Bh	RO	Class Code	060000h
0Ch	RO	Cache Line Size	00h
0Dh	R/W	Latency Timer	0Dh
0Eh-3Fh	--	Reserved	00h
40h	R/W	PCI Control Function 1	00h
41h	R/W	PCI Control Function 2	96h
42h	--	Reserved	00h
43h	R/W	PCI Arbitration Control 1	80h
44h	R/W	PCI Arbitration Control 2	00h
45h-FFh	--	Reserved	00h

Integrated Functions (Continued)

Table 4-40. PCI Configuration Registers

Bit	Name	Description
Index 00h-01h Vendor Identification Register (RO) Default Value = 1078h		
31:0	VID (RO)	Vendor Identification Register (Read Only): The combination of this value and the device ID uniquely identifies any PCI device. The Vendor ID is the ID given to national Semiconductor Corporation by the PCI SIG.
Index 02h-03h Device Identification Register (RO) Default Value = 0001h		
31:0	DIR (RO)	Device Identification Register (Read Only): This value along with the vendor ID uniquely identifies any PCI device.
Index 04h-05h PCI Command Register (R/W) Default Value = 0007h		
15:10	RSVD	Reserved: Set to 0.
9	FBE	Fast Back-to-Back Enable: As a master, the GXm processor does not support this function. This bit returns 0.
8	SERR	SERR# Enable: This is used as an output enable gate for the SERR# driver.
7	WAT	Wait Cycle Control: GXm processor does not do address/ data stepping. This bit is always set to 0.
6	PE	Parity Error Response: 0 = GXm processor ignores parity errors on the PCI bus. 1 = GXm processor checks for parity errors.
5	VPS	VGA Palette Snoop: GXm processor does not support this function. This bit is always set to 0.
4	MS	Memory Write and Invalidate Enable: As a master, the GXm processor does not support this function. This bit is always set to 0.
3	SPC	Special Cycles: GXm processor does not respond to special cycles on the PCI bus. This bit is always set to 0.
2	BM	Bus Master: 0 = GXm processor does not perform master cycles on the PCI. 1 = GXm processor can act as a bus master on the PCI.
1	MS	Memory Space: GXm processor will always respond to memory cycles on the PCI. This bit is always set to 1.
0	IOS	I/O Space: GXm processor will not respond to I/O accesses from the PCI. This bit is always set to 1.
Index 06h-07h PCI Device Status Register (RO, R/W Clear) Default Value = 0280h		
15	DPE	Detected Parity Error: When a parity error is detected, this bit is set to 1. This bit can be cleared to 0 by writing a 1 to it.
14	SSE	Signaled System Error: This bit is set whenever SERR# is driven active.
13	RMA	Received Master Abort: This bit is set whenever a master abort cycle occurs. A master abort will occur whenever a PCI cycle is not claimed except for special cycles. This bit can be cleared to 0 by writing a 1 to it.
12	RTA	Received Target Abort: This bit is set whenever a target abort is received while the GXm processor is master of the cycle. This bit can be cleared to 0 by writing a 1 to it.
11	STA	Signaled Target Abort: This bit is set whenever the GXm processor signals a target abort. A target abort is signaled when an address parity occurs for an address that hits in the GXm processor's address space. This bit can be cleared to 0 by writing a 1 to it.
10:9	DT	Devise Timing: 00 = Fast 01 = Medium 10 = Slow 11 = Reserved The GXm processor performs medium DEVSEL# active for addresses that hit into the GXm processor address space. These two bits are always set to 01.

Integrated Functions (Continued)

Table 4-40. PCI Configuration Registers (Continued)

Bit	Name	Description
8	DPD	Data Parity Detected: This bit is set when three conditions are met. 1) GXm processor asserted PERR# or observed PERR# asserted; 2) GXm processor is the master for the cycle in which the PERR# occurred; and 3) PE (bit 6 of Command Register) is enabled. This bit can be cleared to 0 by writing a 1 to it.
7	FBS	Fast Back-to-Back Capable: As a target, the processor is capable of accepting Fast Back-to-Back transactions. This bit is always set to 1.
6:0	RSVD	Reserved: Set to 0.
Index 08h Revision Identification Register (RO) Default Value = 00h		
7:0	RID (RO)	Revision ID (Read Only): This register contains the revision number of the GXm design.
Index 09h-0Bh Class Code Register (RO) Default Value = 060000h		
23:16	CLASS	Class Code: The class code register is used to identify the generic function of the device. The GXm processor is classified as a host bridge device (06).
15:0	RSVD (RO)	Reserved (Read Only)
Index 0Ch Cache Line Size Register (RO) Default Value = 00h		
7:0	CACHELINE	Cache Line Size (Read Only): The cache line size register specifies the system cacheline size in units of 32-bit words. This function is not supported in the GXm processor.
Index 0Dh Latency Timer Register (R/W) Default Value = 00h		
7:5	RSVD	Reserved: Set to 0.
4:0	LAT_TIMER	Latency Timer: The latency timer as used in this implementation will prevent a system lockup resulting from a slave that does not respond to the master. If the register value is set to 00h, the timer is disabled. Otherwise, Timer represents the 5 MSBs of an 8-bit counter. The counter will reset on each valid data transfer. If the counter expires before the next TRDY# is received active, then the slave is considered to be incapable of responding, and the master will stop the transaction with a master abort and flag an SERR# active. This would also keep the master from being retried forever by a slave device that continues to issue retries. In these cases, the master will also stop the cycle with a master abort.
Index 0Eh-3Fh Reserved Default Value = 00h		
Index 40h PCI Control Function 1 Register (R/W) Default Value = 00h		
7	RSVD	Reserved: Set to 0.
6	SW	Single Write Mode: PCI slave supports: 0 = Multiple PCI write cycles 1 = Single cycle write transfers on the PCI bus. The slave will perform a target disconnect with the first data transferred.
5	SR	Single Read Mode: PCI slave supports: 0 = Multiple PCI read cycles. 1 = Single cycle read transfers on the PCI bus. The slave will perform a target disconnect with the first data transferred.
4	RXBNE	Force Retry when X-Bus Buffers are Not Empty: 0 = PCI slave accepts the PCI cycle with data in the PCI master write buffers. The data in the PCI master write buffers will not be affected or corrupted. The PCI master holds request active indicating the need to access the PCI bus. 1 = PCI slave retries cycles if the PCI master X-bus write buffers contain buffered data.
3	SWBE	PCI Slave Write Buffer Enable: PCI slave write buffers: 0 = Disable; 1 = Enable.
2	CLRE	PCI Cache Line Read Enable: Read operations from the PCI into the GXm processor: 0 = Single cycle unless a read multiple or memory read line command is used. 1 = Cause a cache line read to occur.
1	XBE	X-Bus Burst Enable: PCI slave acting as a master performs burst cycles on the X-bus on write-back invalidate cycles from the PCI. 0 = Disable; 1 = Enable. (This bit does not control read bursting; bit 2 does.)
0	RSVD	Reserved: Should return a value of 0.

Integrated Functions (Continued)

Table 4-40. PCI Configuration Registers (Continued)

Bit	Name	Description
Index 41h PCI Control Function 2 Register (R/W) Default Value = 96h		
7	RSVD	Reserved: Set to 0.
6	RW_CLK	RAW Clock: A debug signal used to view internal clock operation. 0 = Disable; 1 = Enable.
5	PFS	PERR# forces SERR#: PCI master drives an active SERR# anytime it also drives or receives an active PERR#: 0 = Disable; 1 = Enable.
4	XWB	X-Bus to PCI Write Buffer: Enable GXm processor PCI master's X-Bus write buffers (non-locked memory cycles are buffered, I/O cycles and lock cycles are not buffered): 0 = Disable; 1 = Enable.
3:2	SDB	Slave Disconnect Boundary: PCI slave issues a disconnect with data when it crosses line boundary: 00 = 128 bytes 01 = 256 bytes 10 = 512 bytes 11 = 1024 bytes Works in conjunction with bit 1.
1	SDBE	Slave Disconnect Boundary Enable: 0 = PCI slave disconnects on boundaries set by bits [3:2]. 1 = PCI disconnects on cache line boundary which is 16 bytes.
0	XWS	X-Bus Wait State Enable: The PCI slave acting as a master on the X-bus will insert wait states on write cycles for data setup time. 0 = Disable; 1 = Enable.
Index 43h PCI Arbitration Control 1 Register (R/W) Default Value = 80h		
7	BG	Bus Grant: 0 = Grants bus regardless of X-bus buffers. 1 = Grants bus only if X-bus buffers are empty.
6	RSVD	Reserved: Set to 1.
5	RME2	REQ2# Retry Mask Enable: Arbiter allows the REQ2# to be masked based on the master retry mask in bits [2:1]: 0 = Disable; 1 = Enable.
4	RME1	REQ1# Retry Mask Enable: Arbiter allows the REQ1# to be masked based on the master retry mask in bits [2:1]: 0 = Disable; 1 = Enable.
3	RME0	REQ0# Retry Mask Enable: Arbiter allows the REQ0# to be masked based on the master retry mask in bits [2:1]: 0 = Disable; 1 = Enable.
2:1	MRM	Master Retry Mask: When a target issues a retry to a master, the arbiter can mask the request from the retried master in order to allow other lower order masters to gain access to the PCI bus: 00 = No retry mask 01 = Mask for 16 PCI clocks 10 = Mask for 32 PCI clocks 11 = Mask for 64 PCI clocks
0	HXR	Hold X-bus on Retries: Arbiter holds the X-Bus X_HOLD for two additional clocks to see if the retried master will request the bus again: 0 = Disable; 1 = Enable (This may prevent retry thrashing in some cases.)

Integrated Functions (Continued)

Table 4-40. PCI Configuration Registers (Continued)

Bit	Name	Description
Index 44h		
		PCI Arbitration Control 2 Register (R/W)
Default Value = 00h		
7	PP	Ping-Pong: 0 = Arbiter grants the processor bus per the setting of bits [2:0]. 1 = Arbiter grants the processor bus ownership of the PCI bus every other arbitration cycle.
6:4	FAC	Fixed Arbitration Controls: These bits control the priority under fixed arbitration. The priority table is as follows (priority listed highest to lowest): 000 = REQ0#, REQ1#, REQ2# 001 = REQ1#, REQ0#, REQ2# 010 = REQ0#, REQ2#, REQ1# 011 = Reserved 100 = REQ1#, REQ2#, REQ0# 101 = Reserved 110 = REQ2#, REQ1#, REQ0# 111 = REQ2#, REQ0#, REQ1# Note: The rotation arbitration bits [2:0] must be set to 000 for full fixed arbitration. If rotation bits are not set to 000, then hybrid arbitration will occur. If Ping-Pong is enabled (bit 7 = 1), the processor will have priority every other arbitration. In this mode, the arbiter grants the PCI bus to a master and ignores all other requests. When the master finishes, the processor will be guaranteed access. At this point PCI requests will again be recognized. This will switch arbitration from CPU-to-PCI to CPU-to-PCI, etc.
3	RSVD	Reserved: Set to 0.
45h-FFh	--	Reserved

Integrated Functions (Continued)

4.6.8 PCI Cycles

The following sections and diagrams provide the functional relationships for PCI cycles.

4.6.8.1 PCI Read Transaction

A PCI read transaction consists of an address phase and one or more data phases. Data phases may consist of wait cycles and a data transfer. Figure 4-18 illustrates a PCI read transaction. In this example, there are three data phases.

The address phase begins on clock 2 when FRAME# is asserted. During the address phase, AD[31:0] contains a

valid address and C/BE[3:0]# contains a valid bus command. The first data phase begins on clock 3. During the data phase, AD[31:0] contains data and C/BE[3:0]# indicate which byte lanes of AD[31:0] carry valid data. The first data phase completes with zero delay cycles. However, the second phase is delayed one cycle because the target was not ready so it deasserted TRDY# on clock 5. The last data phase is delayed one cycle because the master deasserted IRDY# on clock 7.

For additional information refer to Chapter 3.3.1, Read Transaction, of the PCI Local Bus Specification, Revision 2.1.

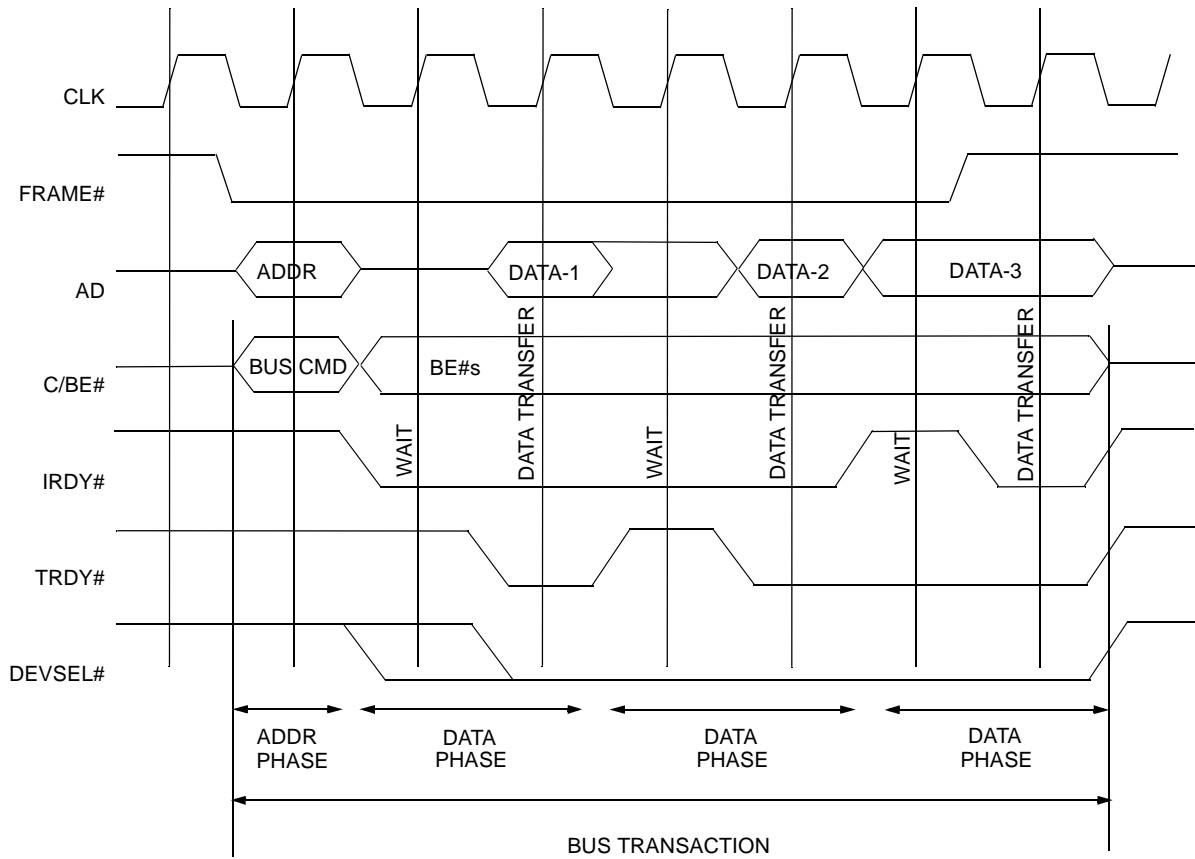


Figure 4-18. Basic Read Operation

Integrated Functions (Continued)

4.6.8.2 PCI Write Transaction

A PCI write transaction is similar to a PCI read transaction, consisting of an address phase and one or more data phases. Since the master provides both address and data, no turnaround cycle is required following the address phase. The data phases work the same for both read and write transactions. Figure 4-19 illustrates a write transaction.

The address phase begins on clock 2 when FRAME# is asserted. The first and second data phases complete without delays. During data phase 3, the target inserts three wait cycles by deasserting TRDY#.

For additional information refer to Chapter 3.3.2, Write Transaction, of the PCI Local Bus Specification, Revision 2.1.

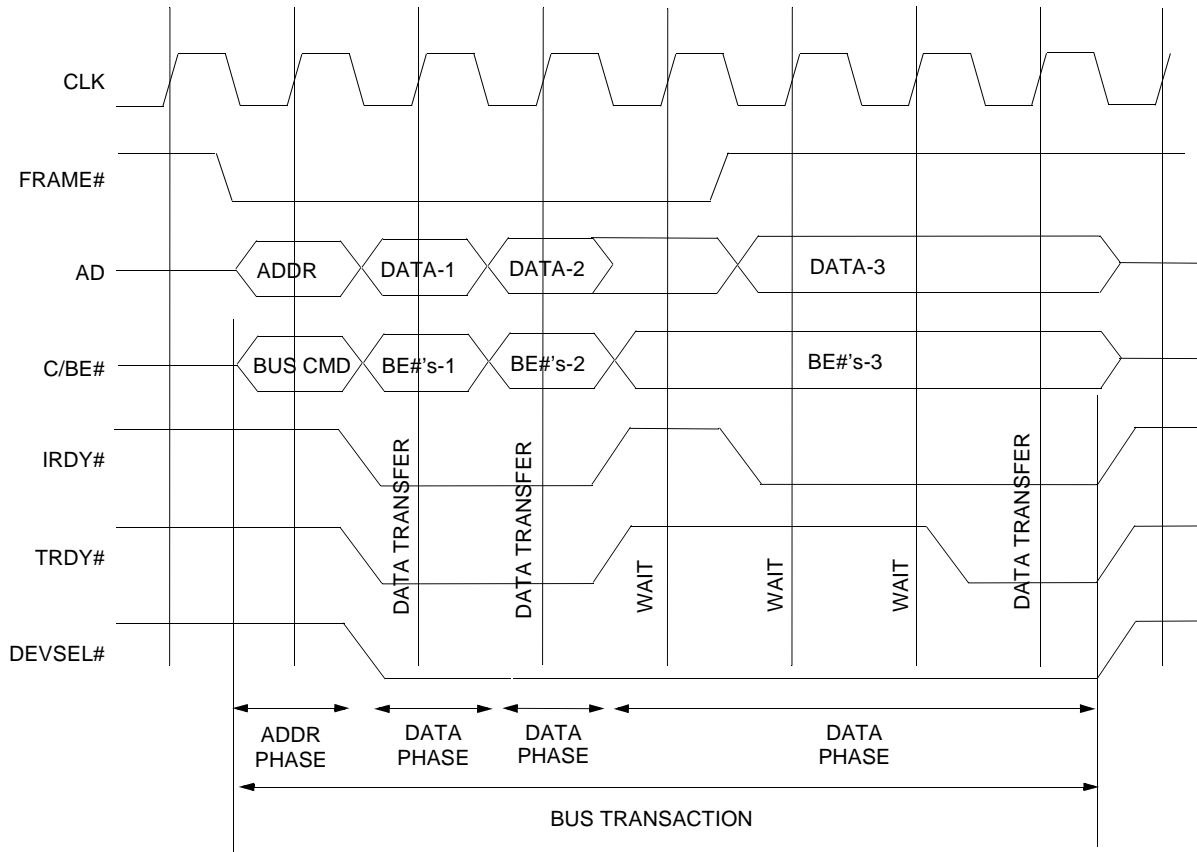


Figure 4-19. Basic Write Operation

Integrated Functions (Continued)

4.6.8.3 PCI Arbitration

An agent requests the bus by asserting its REQ#. Based on the arbitration scheme set in the PCI Arbitration Control 2 Register (Index 44h), the GX PCI arbiter will grant the request by asserting GNT#. Figure 4-20 illustrates basic arbitration.

REQ#-a is asserted at clock 1. The PCI GXm processor arbiter grants access to Agent A by asserting GNT#-a on clock 2. Agent A must begin a transaction by asserting FRAME# within 16 clocks, or the GX PCI arbiter will remove GNT#. Also, it is possible for Agent A to lose bus ownership sooner if another agent with higher priority requests the bus. However, in this example, Agent A starts the transaction on clock 3 by asserting FRAME# and completes its transaction. Since Agent A requests another transaction, REQ#-a remains asserted. When FRAME# is asserted on clock 3, the GXm processor's PCI arbiter determines Agent B should go next, asserts GNT#-b and deasserts GNT#-a on clock 4. Agent B requires only a single transaction. It completes the transaction, then deasserts FRAME# and REQ#-b on clock 6.

The GXm processor's PCI arbiter can then grant access to agent A, and does so on clock 7. Note that all buffers must flush before a grant is given to a new agent.

For additional information refer to Chapter 3.4.1, Arbitration Signaling Protocol, of the PCI Local Bus Specification, Revision 2.1.

4.6.8.4 PCI Halt Command

Halt is a broadcast message from the processor indicating it has executed a halt instruction. The PCI Special Cycle command is used to broadcast the message to all agents on the bus segment. During the address phase of the Halt Special cycle, C/BE[3:0]# = 0001 and AD[31:0] are driven to random values. During the data phase, C/BE[3:0]# = 1100 indicating bytes 1 and 0 are valid and AD[15:0] = 0001h.

For additional information, refer to Chapter 3.7.2, Special Cycle, and Appendix A, Special Cycle Messages, of the PCI Local Bus Specification, Revision 2.1.

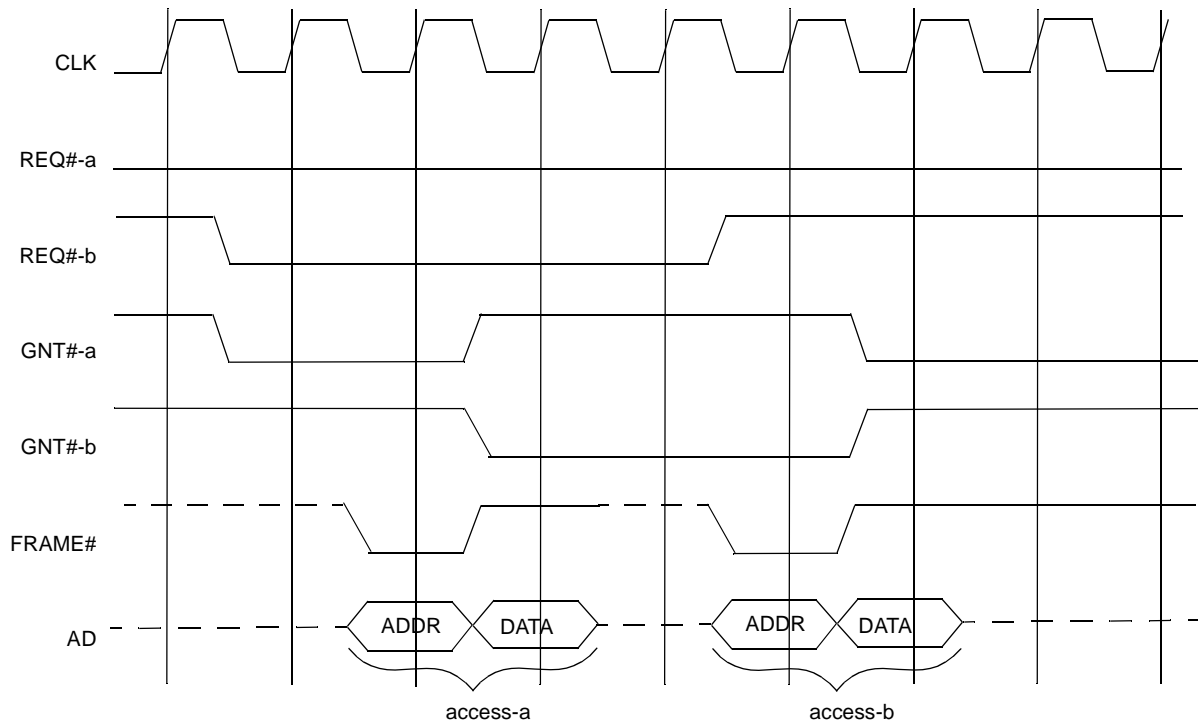


Figure 4-20. Basic Arbitration

5.0 Virtual Subsystem Architecture

This section describes the Virtual Subsystem Architecture® (VSA™) as implemented with the Geode GXm processor(s) and VSA enhanced I/O companion device(s). VSA provides a framework to enable software implementation of traditionally hardware-only components. VSA software executes in System Management Mode (SMM), enabling it to execute transparently to the operating system, drivers and applications.

The VSA design is based upon a simple model for replacing hardware components with software. Hardware to be virtualized is merely replaced with simple access detection circuitry which asserts the processor's SMI# (System Management Interrupt) pin when hardware accesses are detected. The current execution stream is immediately preempted, and the processor enters SMM. The SMM system software then saves the processor state, initializes the VSA execution environment, decodes the SMI source and dispatches handler routines which have registered requests to service the decoded SMI source. Once all handler routines have completed, the processor state is restored and normal execution resumes. In this manner, hardware accesses are transparently replaced with the execution of SMM handler software.

Historically, SMM software was used primarily for the single purpose of facilitating active power management for notebook designs. That software's only function was to manage the power up and down of devices to save power. With high performance processors now available, it is feasible to implement, primarily in SMM software, PC capabilities traditionally provided by hardware. In contrast to power management code, this virtualization software generally has strict performance requirements to prevent application performance from being significantly impacted.

Several functions can be virtualized in a GXm processor based design using the VSA environment. The VSA enhanced chipsets provide programmable resources to trap both memory and I/O accesses. However, specific hardware is included to support the virtualization of VGA core compatibility and audio functionality in the system.

The hardware support for VGA emulation resides completely inside the GXm processor. Legacy VGA accesses do not generate off-chip bus cycles. However, the VSA support hardware for XpressAUDIO resides in the CS5530 I/O companion device and is described in the CS5530 specification.

5.1 VIRTUAL VGA

The GXm processor reduces the burden of PC-legacy hardware by using a balanced mix of hardware and software to provide the same functionality. The graphics pipeline contains full hardware support for the VGA "front-end", the logic that controls read and write operations to the VGA frame buffer (located in graphics memory). For some modes, the hardware can also provide direct display of the data in the VGA buffer. Virtual VGA traps frame buffer accesses only when necessary, but it must trap all VGA I/O accesses to maintain the VGA state and properly program the graphics pipeline and display controller.

VGA functionality with the GXm processor includes the standard VGA modes (VGA, EGA, CGA, and MDA) as well as the higher-resolution VESA modes. The CGA and MDA modes (modes 0 through 7) require that Virtual VGA convert the data in the VGA buffer to a separate 8-BPP frame buffer that the hardware can use for display refresh.

The remaining modes, VGA, EGA, and VESA, can be displayed directly by the hardware, with no data conversion required. For these modes, Virtual VGA outperforms typical VGA cards because the frame buffer data does not travel across an external bus.

Display drivers for popular GUI (graphical user interface) based operating systems are provided by National Semiconductor which enable a full featured 2D hardware accelerator to be used instead of the emulated VGA core.

5.1.1 Traditional VGA Hardware

A VGA card consists of display memory and control registers. The VGA display memory shows up in system memory between addresses A0000h and BFFFFh. It is possible to map this memory to three different ranges within this 128 KB block.

The first range is

- A0000h to B0000h for EGA and VGA modes,

the second range is

- B0000h to B7FFFh for MDA modes,

and the third range is

- B8000h to BFFFFh for CGA modes.

The VGA control registers are mapped to the I/O address range from 3B0h to 3DFh. The VGA registers are accessed with an indexing scheme that provides more registers than would normally fit into this range. Some registers are mapped at two locations, one for monochrome, and another for color.

The VGA hardware can be accessed by calling BIOS routines or by directly writing to VGA memory and control registers. DOS always calls BIOS to set up the display mode and render characters. Many other applications access the VGA memory and control registers directly. The VGA card can be set up to a virtually unlimited number of modes. However, many applications use one of the predefined modes specified by the BIOS routine which sets up the display mode. The predefined modes are translated into specific VGA control register setups by the BIOS. The standard modes supported by VGA cards are shown in Table 5-1.

Virtual Subsystem Architecture (Continued)

Table 5-1. Standard VGA Modes

Category	Mode	Text or Graphics	Resolution	Format	Type
Software	0,1	Text	40x25	Characters	CGA
	2,3	Text	80x25	Characters	CGA
	4,5	Graphics	320x200	2 BPP	CGA
	6	Graphics	640x200	1 BPP	CGA
	7	Text	80x25	Characters	MDA
Hardware	0Dh	Graphics	320x200	4 BPP	EGA
	0Eh	Graphics	640x200	4 BPP	EGA
	0Fh	Graphics	640x350	1 BPP	EGA
	10h	Graphics	640x350	4 BPP	EGA
	11h	Graphics	640x480	1 BPP	VGA
	12h	Graphics	640x480	4 BPP	VGA
	13h	Graphics	320x200	8 BPP	VGA

A VGA is made up of several functional units.

- The **frame buffer** is 256 KB of memory that provides data for the video display. It is organized as 64 K 32-bit DWORDs.
- The **sequencer** decomposes word and DWORD CPU accesses into byte operations for the graphics controller. It also controls a number of miscellaneous functions, including reset and some clocking controls.
- The **graphics controller** provides most of the interface between CPU data and the frame buffer. It allows the programmer to read and write frame buffer data in different formats. Plus provides ROP (raster operation) and masking functions.
- The **CRT controller** provides video timing signals and address generation for video refresh. It also provides a text cursor.
- The **attribute controller** contains the video refresh datapath, including text rasterization and palette lookup.
- The **general registers** provide status information for the programmer as well as control over VGA-host address mapping and clock selection. This is all handled in hardware by the graphics pipeline.

It is important to understand that a VGA is constructed of numerous independent functions. Most of the register fields correspond to controls that were originally built out of discrete logic or were part of a dedicated controller such as the 6845. The notion of a VGA “mode” is a higher-level convention to denote a particular set of values for the registers. Many popular programs do not use standard modes, preferring instead to produce their own VGA setups that are optimal for their purposes.

5.1.1.1 VGA Memory Organization

The VGA memory is organized as 64 K 32-bit DWORDs. This organization is usually presented as four 64 KB “planes”. A plane consists of one byte out of every

DWORD. Thus, plane 0 refers to the least significant byte from every one of the 64 K DWORDs. The addressing granularity of this memory is a DWORD, not a byte; that is, consecutive addresses refer to consecutive DWORDs. The only provision for byte-granularity addressing is the four-byte enable signals used for writes. In C parlance,

```
single_plane_byte = (dword_fb[address] >>
(plane * 8)) & 0xFF;
```

When dealing with VGA, it is important to recognize the distinction between host addresses, frame buffer addresses, and the refresh address pipe. A VGA controller contains lots of hardware to translate between these address spaces in different ways, and understanding these translations is critical to understanding the entire device. In standard four-plane graphics modes, a frame-buffer DWORD provides eight 4-bit pixels. The left-most pixel comes from bit 7 of each plane, with plane 3 providing the most significant bit.

```
pixel[i].bit[j] = dword_fb[address].bit[j]*8 + (7-i)
```

5.1.1.2 VGA Front End

The VGA front end consists of address and data translations between the CPU and the frame buffer. This functionality is contained within the graphics controller and sequencer components. Most of the front end functionality is implemented in the VGA read and write hardware of the GXm processor. An important axiom of the VGA is that the front end and back end are controlled independently. There are no register fields that control the behavior of both pieces. Terms like “VGA odd/even mode” are therefore somewhat misleading; there are two different controls for odd/even functionality in the front end, and two separate controls in the refresh path to cause “sensible” refresh behavior for frame buffer contents written in odd/even mode. Normally, all these fields would be set up together, but they don’t have to be. This sort of orthogonal behavior gives rise to the enormous number of possible VGA “modes”. The CPU end of the read and write pipes is one byte wide. Word and DWORD accesses from the

Virtual Subsystem Architecture (Continued)

CPU to VGA memory are broken down into multiple byte accesses by the sequencer. For example, a word write to A0000h (in a VGA graphics mode) is processed as if it were two-byte write operations to A0000h and A0001h.

5.1.1.3 Address Mapping

When a VGA card sees an address on the host bus, bits [31:15] determine whether the transaction is for the VGA. Depending on the mode, addresses 000AXXXX, 000B{0XXX}XXX, or 000B{1XXX}XXXX can decode into VGA space. If the access is for the VGA, bits [15:0] provide the DWORD address into the frame buffer (however, see odd/even and Chain 4 modes, below). Thus, each byte address on the host bus addresses a DWORD in VGA memory.

On a write transaction, the byte enables are normally driven from the sequencer's MapMask register. The VGA has two other write address mappings that modify this behavior. In odd/even (Chain 2) write mode, bit 0 of the address is used to enable bytes 0 and 2 (if zero) or bytes 1 and 3 (if one). In addition, the address presented to the frame buffer has bit 0 replaced with the PageBit field of the Miscellaneous Output register. Chain 4 write mode is similar; only one of the four byte enables is asserted, based on bits [1:0] of the address, and bits [1:0] of the frame buffer address are set to zero. In each of these modes, the MapMask enables are logically ANDed into the enables that result from the address.

5.2 GXM VIRTUAL VGA

The GXm processor provides VGA compatibility through a mixture of hardware and software. The processor core contains SMI generation hardware for VGA memory write operations. The bus controller contains SMI generation hardware for VGA I/O read and write operations. The graphics pipeline contains hardware to detect and process reads and writes to VGA memory. VGA memory is partitioned from system memory.

5.2.1 Datapath Elements

The graphics controller contains several elements that convert between host data and frame buffer data.

The rotator simply rotates the byte written from the host by 0 to 7 bits to the right, based on the RotateCount field of the DataRotate register. It has no effect in the read path.

The display latch is a 32-bit register that is loaded on every read access to the frame buffer. All 32 bits of the frame buffer DWORDs are loaded into the latch.

The **write-mode unit** converts a byte from the host into a 32-bit value. A VGA has four write modes:

- Write Mode 0:
 - Bit n of byte b comes from one of two places, depending on bit b of the EnableSetReset register. If that bit is zero, it comes from bit n of the host data. If that bit is one, it comes from bit b of the SetReset register. This mode allows the programmer to set

some planes from the host data and the others from SetReset.

- Write Mode 1:
 - All 32 bits come directly out of the display latch; the host data is ignored. This mode is used for screen-to-screen copies.
 - Write Mode 2:
 - Bit n of byte b comes from bit b of the host data; that is, the four LSBs of the host data are each replicated through a byte of the result. In conjunction with the BitMask register, this mode allows the programmer to directly write a 4-bit color to one or more pixels.
 - Write Mode 3:
 - Bit n of byte b comes from bit b of the SetReset register. The host data is ANDed with the BitMask register to provide the bit mask for the write (see below).
- The **read mode unit** converts a 32-bit value from the frame buffer into a byte. A VGA has two read modes:
- Read Mode 0:
 - One of the four bytes from the frame buffer is returned, based on the value of the ReadMapSelect register. In Chain 4 mode, bits [1:0] of the read address select a plane. In odd/even read mode, bit 0 of the read address replaces bit 0 of ReadMapSelect.
 - Read Mode 1:
 - Bit n of the result is set to 1 if bit n in every byte b matches bit b of the ColorCompare register; otherwise it is set to 0. There is a ColorDon'tCare register that can exclude planes from this comparison. In four-plane graphics modes, this provides a conversion from 4 BPP to 1 BPP.

The ALU is a simple two-operand ROP unit that operates on writes. Its operating modes are COPY, AND, OR, and XOR. The 32-bit inputs are:

- 1) the output of the write-mode unit and
- 2) the display latch (not necessarily the value at the frame buffer address of the write).

An application that wishes to perform ROPs on the source and destination must first byte read the address (to load the latch) and then immediately write a byte to the same address. The ALU has no effect in Write Mode 1.

The bit mask unit does not provide a true bit mask. Instead, it selects between the ALU output and the display latch. The mask is an 8-bit value, and bit n of the mask makes the selection for bit n of all four bytes of the result (a zero selects the latch). No bit masking occurs in Write Mode 1.

The VGA hardware of the GXm processor does not implement Write Mode 1 directly, but it can be indirectly implemented by setting the BitMask to zero and the ALU mode to COPY.

Virtual Subsystem Architecture (Continued)

5.2.2 Video Refresh

VGA refresh is controlled by two units: the CRT controller (CRTC) and the attribute controller (ATTR). The CRTC provides refresh addresses and video control; the ATTR provides the refresh datapath, including pixel formatting and internal palette lookup.

The VGA back end contains two basic clocks: the dot clock (or pixel clock) and the character clock. The Clock-Select field of the Miscellaneous Output register selects a “master clock” of either 25 MHz or 28 MHz. This master clock, optionally divided by two, drives the dot clock. The character clock is simply the dot clock divided by eight or nine.

The VGA supports four basic pixel formats. Using text format, the VGA interprets frame buffer values as ASCII characters, foreground/background attributes, and font data. The other three formats are all “graphics modes”, known as APA (All Points Addressable) modes. These formats could be called CGA-compatible (odd/even four bits/pixel), EGA-compatible (4-plane four bits/pixel), and VGA-compatible (pixel-per-byte eight bits/pixel). The format is chosen by the ShiftRegister field of the Graphics Controller Mode register.

The refresh address pipe is an integral part of the CRTC, and has many configuration options. Refresh can begin at any frame buffer address. The display width and the frame buffer pitch (scan-line delta) are set separately. Multiple scan lines can be refreshed from the same frame buffer addresses. The LineCompare register causes the refresh address to be reset to zero at a particular scan line, providing support for vertical split-screen.

Within the context of a single scan line, the refresh address increments by one on every character clock. Before being presented to the frame buffer, refresh addresses can be shifted by 0, 1, or 2 bits to the left. These options are often mis-named Byte, Word, and Doubleword modes. Using this shifter, the refresh unit can be programmed to skip one out of two or three out of four DWORDs of refresh data. As an example of the utility of this function, consider Chain 4 mode, described earlier. Pixels written in Chain 4 mode occupy one out of every four DWORDs in the frame buffer. If the refresh path is put into “Doubleword” mode, the refresh will come only from those DWORDs writable in Chain 4. This is how VGA mode 13h works.

In text mode, the ATTR has a lot of work to do. At each character clock, it pulls a DWORD of data out of the frame buffer. In that DWORD, plane 0 contains the ASCII character code, and plane 1 contains an attribute byte. The ATTR uses plane 0 to generate a font lookup address and read another DWORD. In plane 2, this DWORD contains a bit-per-pixel representation of one scan line in the appropriate character glyph. The ATTR transforms these bits into eight pixels, obtaining foreground and background colors from the attribute byte. The CRTC must refresh from the same memory addresses for all scan lines that make up a character row; within that row, the ATTR must

fetch successive scan lines from the glyph table so as to draw proper characters. Graphics modes are somewhat simpler. In CGA-compatible mode, a DWORD provides eight pixels. The first four pixels come from planes 0 and 2; each 4-bit pixel gets bits [3:2] from plane 2, and bits [1:0] from plane 0. The remaining four pixels come from planes 1 and 3. The EGA-compatible mode also gets eight pixels from a DWORD, but each pixel gets one bit from each plane, with plane 3 providing bit 3. Finally, VGA-compatible mode gets four pixels from each DWORD; plane 0 provides the first pixel, plane 1 the next, and so on. The 8 BPP mode uses an option to provide every pixel for two dot clocks, thus allowing the refresh pipe to keep up (it only increments on character clocks) and meaning that the 320-pixel-wide mode 13h really has 640 visible pixels per line. The VGA color model is unusual. The ATTR contains a 16-entry color palette with 6 bits per entry. Except for 8 BPP modes, all VGA configurations drive four bits of pixel data into the palette, which produces a 6-bit result. Based on various control registers, this value is then combined with other register contents to produce an 8-bit index into the DAC. There is a ColorPlaneEnable register to mask bits out of the pixel data before it goes to the palette; this is used to emulate four-color CGA modes by ignoring the top two bits of each pixel. In 8 BPP modes, the palette is bypassed and the pixel data goes directly to the DAC.

5.2.3 GXm VGA Hardware

The GXm processor core contains hardware to detect VGA accesses and generate SMI interrupts. The graphics pipeline contains hardware to detect and process reads and writes to VGA memory. The VGA memory on the GXm processor is partitioned from system memory. The GXm processor has the following hardware components to assist the VGA emulation software.

- SMI Generation
- VGA Range Detection
- VGA Sequencer
- VGA Write/Read Path
- VGA Address Generator
- VGA Memory

5.2.3.1 SMI Generation

VGA emulation software is notified of VGA memory accesses by an SMI generated in dedicated circuitry in the processor core that detects and traps memory accesses. The SMI generation hardware for VGA memory addresses is in the second stage of instruction decoding on the processor core. This is the earliest stage of instruction decode where virtual addresses have been translated to physical addresses. Trapping after the execution stage is impractical, because memory write buffering will allow subsequent instructions to execute.

The VGA emulation code requires the SMI to be generated immediately when a VGA access occurs. The SMI generation hardware can optionally exclude areas of VGA memory, based on a 32-bit register which has a control bit for each 2 KB region of the VGA memory window. The

Virtual Subsystem Architecture (Continued)

control bit determines whether or not an SMI interrupt is generated for the corresponding region. The purpose of this hardware is to allow the VGA emulation software to disable SMI interrupts in VGA memory regions that are not currently displayed.

For direct display modes (8 BPP or 16 BPP) in the display controller, Virtual VGA can operate without SMI generation.

The SMI generation circuit on the GXm processor has configuration registers to control and mask SMI interrupts in the VGA memory space.

5.2.3.2 VGA Memory Addresses

SMI generation can be configured to trap VGA memory accesses in one of the following ranges:

A0000h to AFFFFh (EGA,VGA),
B0000h to B7FFFh (MDA),
or B8000h to BFFFFh (CGA).

Range selection is accomplished through programmable bits in the VGACTL register (Index B9h). Fine control can be exercised within the range selected to allow off-screen accesses to occur without generating SMIs.

SMI generation can also separately control the following I/O ranges: 3B0h to 3BFh, 3C0h to 3CFh, and 3D0h to

3DFh. The BC_XMAP_1 register (GX_BASE+8004h) in the Internal Bus Interface Unit has an enable/disable bit for each of the address ranges above.

5.2.3.3 VGA Configuration Registers

Table 5-2 summarizes the VGA Configuration Registers. Detailed register/bit formats are given in Table 5-3.

5.2.3.4 VGA Control Register

The VGA control register (VGACTL) provides control for SMI generation through an enable bit for memory address ranges A0000h to BFFFFh. Each bit controls whether or not SMI is generated for accesses to the corresponding address range. The default value of this register is zero so that VGA accesses will not be trapped on systems with an external VGA card.

5.2.3.5 VGA Mask Registers

The VGA Mask register (VGAM) has 32 bits that can selectively mask 2 KB regions within the VGA memory region A0000h to AFFFFh. If none of the three regions is enabled in VGACTL, then the contents of VGAM are ignored. VGAM can be used to prevent the occurrence of SMI when non-displayed VGA memory is accessed. This is an enhancement that improves performance for double-buffered applications only.

Table 5-2. VGA Configuration Registers Summary

Index	Name	Description	Default
B9h	VGACTL	VGA Control Register	00h (SMI generation disabled)
BAh-BDh	VGAM	VGA Mask Register	Don't Care

Virtual Subsystem Architecture (Continued)

Table 5-3. VGA Configuration Registers

Bit	Description
Index B9h VGACTL Register (R/W) Default Value = 00h	
7:3	Reserved: Set to 0.
2	SMI generation for VGA memory range B8000h to BFFFFh: 0 = Disable; 1 = Enable
1	SMI generation for VGA memory range B0000h to B7FFFh: 0 = Disable; 1 = Enable.
0	SMI generation for VGA memory range A0000h to AFFFFh: 0 = Disable; 1 = Enable
Index BAh-BDh VGAM Register (R/W) Default Value = xxxxxxxh	
31	SMI generation for address range AF800h to AFFFFh: 0 = Disable; 1 = Enable.
30	SMI generation for address range AF000h to AF7FFh: 0 = Disable; 1 = Enable.
29	SMI generation for address range AE800h to AEFfFh: 0 = Disable; 1 = Enable.
28	SMI generation for address range AE000h to AE7FFh: 0 = Disable; 1 = Enable.
27	SMI generation for address range AD800h to ADFFfFh: 0 = Disable; 1 = Enable.
26	SMI generation for address range AD000h to AD7FFh: 0 = Disable; 1 = Enable.
25	SMI generation for address range AC800h to ACFFfFh: 0 = Disable; 1 = Enable.
24	SMI generation for address range AC000h to AC7FFh: 0 = Disable; 1 = Enable.
23	SMI generation for address range AB800h to ABFFfFh: 0 = Disable; 1 = Enable.
22	SMI generation for address range AB000h to AB7FFh: 0 = Disable; 1 = Enable.
21	SMI generation for address range AA800h to AAFFfFh: 0 = Disable; 1 = Enable.
20	SMI generation for address range AA000h to AA7FFh: 0 = Disable; 1 = Enable.
19	SMI generation for address range A9800h to A9FFfFh: 0 = Disable; 1 = Enable.
18	SMI generation for address range A9000h to A97FFh: 0 = Disable; 1 = Enable.
17	SMI generation for address range A8800h to A8FFfFh: 0 = Disable; 1 = Enable.
16	SMI generation for address range A8000h to A87FFh: 0 = Disable; 1 = Enable.
15	SMI generation for address range A7800h to A7FFfFh: 0 = Disable; 1 = Enable.
14	SMI generation for address range A7000h to A77FFh: 0 = Disable; 1 = Enable.
13	SMI generation for address range A6800h to A6FFfFh: 0 = Disable; 1 = Enable.
12	SMI generation for address range A6000h to A67FFh: 0 = Disable; 1 = Enable.
11	SMI generation for address range A5800h to A5FFfFh: 0 = Disable; 1 = Enable.
10	SMI generation for address range A5000h to A57FFh: 0 = Disable; 1 = Enable.
9	SMI generation for address range A4800h to A4FFfFh: 0 = Disable; 1 = Enable.
8	SMI generation for address range A4000h to A47FFh: 0 = Disable; 1 = Enable.
7	SMI generation for address range A3800h to A3FFfFh: 0 = Disable; 1 = Enable.
6	SMI generation for address range A3000h to A37FFh: 0 = Disable; 1 = Enable.
5	SMI generation for address range A2800h to A2FFfFh: 0 = Disable; 1 = Enable.
4	SMI generation for address range A2000h to A27FFh: 0 = Disable; 1 = Enable.
3	SMI generation for address range A1800h to A1FFfFh: 0 = Disable; 1 = Enable.
2	SMI generation for address range A1000h to A17FFh: 0 = Disable; 1 = Enable.
1	SMI generation for address range A0800h to A0FFfFh: 0 = Disable; 1 = Enable.
0	SMI generation for address range A0000h to A07FFh: 0 = Disable; 1 = Enable.

Virtual Subsystem Architecture (Continued)

5.2.3.6 VGA Range Detection

The VGA range detection circuit is similar to the SMI generation hardware, however, it resides in the bus controller address mapping unit. The purpose of this hardware is to notify the graphics pipeline when accesses to the VGA memory range A0000h to BFFFFh are detected. The graphics pipeline has VGA read and write path hardware to process VGA memory accesses. The VGA range detection can be configured to trap VGA memory accesses in one or more of the following ranges: A0000h to AFFFFh (EGA,VGA), B0000h to B7FFFh (MDA), or B8000h to BFFFFh (CGA).

5.2.3.7 VGA Sequencer

The VGA sequencer is located at the front end of the graphics pipeline. The purpose of the VGA sequencer is to divide up multiple-byte read and write operations into a sequence of single-byte read and write operations. 16-bit or 32-bit X-bus write operations to VGA memory are divided into 8-bit write operations and sent to the VGA write path. 16-bit or 32-bit X-bus read operations from VGA memory are accumulated from 8-bit read operations over the VGA read path. The sequencer generates the lower two bits of the address.

5.2.3.8 VGA Write/Read Path

The VGA write path implements standard VGA write operations into VGA memory. No SMI is generated for write path operations when the VGA access is not displayed. When the VGA access is displayed, an SMI is generated so that the SMI emulation can update the frame buffer. The VGA write path converts 8-bit write operations from the sequencer into 32-bit VGA memory write operations. The operations performed by the VGA write path include data rotation, raster operation (ALU), bit masking, plane select, plane enable, and write modes.

The VGA read path implements standard VGA read operations from VGA memory. No SMI is needed for read-path operations. The VGA read path converts 32-bit read operations from VGA memory to 8-bit data back to the sequencer. The basic operations performed by the VGA read path include color compare, plane-read select, and read modes.

5.2.3.9 VGA Address Generator

The VGA address generator translates VGA memory addresses up to address where the VGA memory resides on the GXm processor. The VGA address generator requires the address from the VGA access (A0000h to BFFFFh), the base of the VGA memory on the GXm processor, and various control bits. The control bits are necessary because addressing is complicated by odd/even and Chain 4 addressing modes.

5.2.3.10 VGA Memory

The VGA memory requires 256 KB of memory organized as 64 KB by 32 bits. The VGA memory is implemented as part of system memory. The GXm processor partitions system memory into two areas, normal system memory and graphics memory. System memory is mapped to the normal physical address of the DRAM, starting at zero and ending at memory size. Graphics memory is mapped into high physical memory, contiguous to the registers and dedicated cache of the GXm processor. The graphics memory includes the frame buffer, compression buffer, cursor memory, and VGA memory. The VGA memory is mapped on a 256 KB boundary to simplify the address generation.

5.2.4 VGA Video BIOS

The video BIOS supports the VESA BIOS Extensions (VBE) Version 1.2 and 2.0, as well as all standard VGA BIOS calls. It interacts with Virtual VGA through the use of several extended VGA registers. These are virtual registers contained in the VSA code for Virtual VGA. (These registers are defined in a separate document.)

Virtual Subsystem Architecture (Continued)

5.2.5 Virtual VGA Register Descriptions

This section describes the registers contained in the graphics pipeline used for VGA emulation. The graphics pipeline maps 200h locations starting at GX_BASE+8100h. Refer to Section 4.1.2 “Control Regis-

ters” on page 94 for instructions on accessing these registers.

The registers are summarized in Table 5-4, followed by detailed bit formats in Table 5-5 on page 173.

Table 5-4. Virtual VGA Register Summary

GX_BASE+ Memory Offset	Type	Function	Default Value
8210h-8213h	R/W	GP_VGA_BASE_VGA Graphics Pipeline VGA Memory Base Address Register — Specifies the offset of the VGA memory, starting from the base of graphics memory.	xxxxxxxh
8214h-8217h	R/W	GP_VGA_LATCH Graphics Pipeline VGA Display Latch Register — Provides a memory mapped way to read or write the VGA display latch.	xxxxxxxh
8140h-8143h	R/W	GP_VGA_WRITE Graphics Pipeline VGA Write Patch Control Register — Controls the VGA memory write path in the graphics pipeline.	xxxxxxxh
8144h-8147h	R/W	GP_VGA_READ Graphics Pipeline VGA Read Patch Control Register — Controls the VGA memory read path in the graphics pipeline.	0000000h

Virtual Subsystem Architecture (Continued)

Table 5-5. Virtual VGA Registers

Bit	Name	Description
GX_BASE+8210h-8213h GP_VGA_BASE (R/W) Default Value = xxxxxxxxh		
31:14	RSVD	Reserved: Set to 0.
13:8	VGA_BASE (RO)	Base Address (Read Only): The VGA base address is added to the graphics memory base to specify where VGA memory starts. The VGA base address provides longword address bits 19:14 when mapping VGA accesses into graphics memory. This allows the VGA base address to start on any 64 KB boundary within the 4 MB of graphics memory.
7:6	RSVD	Reserved: Set to 0.
5:0	VGA_BASE (WO)	Base Address (Write Only): The VGA base address is added to the graphics memory base to specify where VGA memory starts. The VGA base address provides longword address bits 19:14 when mapping VGA accesses into graphics memory. This allows the VGA base address to start on any 64 KB boundary within the 4 MB of graphics memory.
GX_BASE+8214h-8217h GP_VGA_LATCH Register (R/W) Default Value = xxxxxxxxh		
31:0	LATCH	Display Latch: Specifies the value in the VGA display latch. VGA read operations cause VGA frame-buffer data to be latched in the display latch. VGA write operations can use the display latch as a source of data for VGA frame-buffer write operations.
GX_BASE+8140h-8143h GP_VGA_WRITE Register (R/W) Default Value = xxxxxxxxh		
31:28	RSVD	Reserved: Set to 0.
27:24	MAP_MASK	Map Mask: Enables planes 3 through 0 for writing. Combined with chain control to determine the final enables.
23:21	RSVD	Reserved: Set to 0.
20	W3	Write Mode 3: Selects write mode 3 by using the bit mask with the rotated data.
19	W2	Write Mode 2: Selects write mode 2 by controlling set/reset.
18:16	RC	Rotate Count: Controls the eight bit rotator.
15:12	SRE	Set/Reset Enable: Enables the set/reset value for each plane.
11:8	SR	Set/Reset: Selects 1 or 0 for each plane if enabled.
7:0	BIT_MASK	Bit Mask: Selects data from the data latches (last read data).
GX_BASE+8144h-8147h GP_VGA_READ Register (R/W) Default Value = 00000000h		
31:18	RSVD	Reserved: Set to 0.
17:16	RMS	Read Map Select: Selects which plane to read in read mode 0 (Chain 2 and Chain 4 inactive).
15	F15	Force Address Bit 15: Forces address bit 15 to 0.
14	PC4	Packed Chain 4: — Provides 64 KB of packed pixel addressing when used with Chain 4 mode. This bit causes the VGA addresses to be shifted right by 2 bits.
13	C4	Chain 4 Mode: Selects Chain 4 mode for both read operations and write operations.
12	PB	Page Bit: Becomes LSB of address if COE is set high.
11	COE	Chain Odd/Even: Selects PB rather than A0 for least-significant VGA address bit.
10	W2	Write Chain 2 Mode: Selects Chain 2 mode for write operations.
9	R2	Read Chain 2 Mode: Selects Chain 2 mode for read operations.
8	RM	Read Mode: Selects between read mode 0 (normal) and read mode 1 (color compare).
7:4	CCM	Color Compare Mask: Selects planes to include in the color comparison (read mode 1).
3:0	CC	Color Compare: Specifies value of each plane for color comparison (read mode 1).

6.0 Power Management

The power management resources provided by a combined Geode GXm processor and CS5530-based system have been designed to support a full-featured notebook implementation. The extent to which these resources are employed depends on the application and the discretion of the system designer.

The three greatest power consumers in a notebook system are the display, the hard drive and the CPU. Managing power for the first two is relatively straightforward and is discussed in the Geode CS5530 I/O companion specification. Managing CPU power can be more difficult since detecting inactive (Idle) states by monitoring external activity is imperfect as well as inefficient.

The GXm processor and CS5530 I/O companion chip contain the most advanced power management features for reducing the power consumption of the processor in the system while delivering the highest performance in any mobile processor. The GXm processor supports the following CPU power management features:

- APM Support
- CPU Suspend Command Registers (CS5530)
- Suspend Modulation
- 3 Volt Suspend
- GXm Integrated Processor Serial Bus

6.1 APM SUPPORT

Many notebook computers rely solely on the APM (Advanced Power Management) driver for DOS, Windows 3.1 and Windows 95 operating systems to manage power to the CPU. APM provides several services that enhance the system power management by determining when the CPU is idle. For the CPU, APM is theoretically the best approach but there are some drawbacks.

1. APM is an OS-specific driver which may not be available for some operating systems.
2. Application support is inconsistent. Some applications in foreground may prevent idle calls.

The components for APM support are:

- Software CPU Suspend control via the CS5530 CPU Suspend Command Register (ACh).
- Software SMI entry via the Software SMI Register (D0h). This allows the APM BIOS to be part of the SMI handler.

6.2 CPU SUSPEND COMMAND REGISTERS

Power management system software can invoke the SUSP#/SUSPA# protocol with the "CPU Suspend Command" and the "Suspend Notebook Command" registers in the CS5530. If the SUSP#/SUSPA# protocol is invoked, all pending SMIs are serviced and SMI# is deasserted. Then SUSP# is asserted by the CS5530 and, subsequently, SUSPA# is returned by the GXm processor. When a condition that ends the "Suspend" state exists, SMI# is re-asserted. At this point, if the PLL in the GXm processor has not been stopped, then SUSP# is deas-

serted. SUSP# is never deasserted until SUSPA# has been sampled active (low).

Note: The SMI# pin is a unidirectional line from the CS5530 to the GXm processor. It is active low. When SMI is initiated from a normal mode, the SMI# pin is asserted low and is held low until the SMI source is cleared. At that time, SMI# is deasserted.

6.3 SUSPEND MODULATION

The hardware provided to support the GXm processor's power management works by assuming that the GXm processor is Idle and reducing power until activity is detected. Most power management schemes in the industry run the system at full speed until a period of inactivity is detected. National Semiconductor's more aggressive approach yields lower power consumption. When activity is detected, the GXm processor is instantly converted to full speed for a programmed duration. This is called Suspend Modulation.

Suspend Modulation acts as backup for cases where APM doesn't correctly detect an Idle condition in the system. As long as it is enabled, it will only become active in the background. The "Suspend Modulation Enable Register" in the CS5530 enables the Suspend Modulation feature.

The "Suspend Modulation ON Count Register" in the CS5530 is an 8-bit counter that represents the number of 32 μ s intervals that the SUSP# pin will be asserted to the GXm processor. This counter, together with the "Suspend Modulation OFF Count Register" and the IRQ/Video Speedup Registers, performs the Suspend Modulation function for GXm processor's power management. The ratio of the on count to the off count sets up an effective (emulated) clock frequency, allowing the power manager in the system to reduce the GXm processor's power consumption.

6.4 3-VOLT SUSPEND MODE

The GXm processor and CS5530 support stopping the processor and system clocks using the 3-Volt Suspend Mode. If configured (refer to the CS5530 specification), the CS5530 asserts the SUSP_3V pin after the SUSP#/SUSPA# handshake. SUSP_3V is intended to be connected to the output enable of a clock synthesizer or buffer chip so that the clocks to the GXm processor (SYSCLK), the CS5530 (PCI_CLK), and other system devices are stopped. The SUSP_3V pin is asserted on any write to the CS5530's "CPU Suspend Command Register" or "Suspend Notebook Command Register" with bit 0 of the "Clock Stop Control Register" set.

The GXm processor has two low-power Suspend modes. The mode implemented is determined by bit 0 in the PM Clock Stop Control Register. One mode (bit 0 clear) turns off the internal clocks to everything except the internal display and memory controllers, thereby keeping the display active. The second mode, which is lower power, turns off all internal clocks generated from SYSCLK. This mode is

Power Management (Continued)

selected by setting bit 0 in the PM Clock Stop Control Register. If you are using DRAMs without self refresh, you must supply a 32 kHz clock to the CLK32KHZ bit to keep the refresh circuitry active when using the lower-power Suspend mode.

While also in 3-Volt Suspend Mode, the CS5530 continues to decrement all of its device timers, and it responds to external SMI interrupts using the 32 kHz clock input (CLK32KHZ) pin. Any SMI event, timer or pin, causes the CS5530 to deassert the SUSP_3V pin, starting the system clocks. The CS5530 holds SUSP# active for a pre-programmed period that varies from 0 to 16 ms, which allows the clocks to settle. After this period expires, the CS5530 deasserts SUSP#. SMI# is held active for the entire period, so that the GXm processor status registers are updated.

The SUSP_3V pin can be active either high or low. The pin is an input during POR, and is sampled to determine its inactive state. This allows a designer to match the active state of SUSP_3V to the inactive state for a clock driver output enable with a pull-up or pull-down resistor.

6.5 SUSPEND MODE AND BUS CYCLES

The following subsections describe the bus cycles when the Suspend mode is implemented.

6.5.1 Initiating Suspend with SUSP#

The GXm processor has two low-power Suspend modes. The mode is selected by bit 0 in the PM Clock Stop Control Register. One mode (bit 0 cleared) turns off the internal clocks to everything but the internal Display and Memory Controllers, keeping the display active. A lower-

power mode turns off all internal clocks generated from SYSCLK. This mode is selected by setting bit 0 in the PM Clock Stop Control Register. If the bit is set and DRAMs without self-refresh are used, a 32 KHz clock must be supplied to the CLK32KHZ input to keep the refresh circuit active.

The GXm processor enters the Suspend mode in response to SUSP# input assertion only when certain conditions are met. First, the USE_SUSP bit must be set in CCR2 (Index C2h[7]). In addition, execution of the current instructions and any pending decoded instructions and associated bus cycles must be completed. SUSP# is sampled on the rising edge of SYSCLK, and must meet specified setup and hold times to be recognized at a particular SYSCLK edge.

When all conditions are met, the SUSPA# output is asserted. The time from assertion of SUSP# to the activation of SUSPA# depends on which instructions were decoded prior to assertion of SUSP#. Normally, once SUSP# has been sampled inactive the SUSPA# output will be deactivated within two clocks. However, the deactivation of SUSPA# may be delayed until the end of an active refresh cycle.

If the CPU is already in a Suspend mode initiated by SUSP#, one occurrence of NMI, INTR and SMI# is stored for execution after Suspend mode is exited. The CPU also allows PCI accesses during a SUSP#-initiated Suspend mode (see Figure 6-1). If the CPU is in the middle of a PCI access when SUSP# is asserted, the assertion of SUSPA# will be delayed until the PCI access is completed.

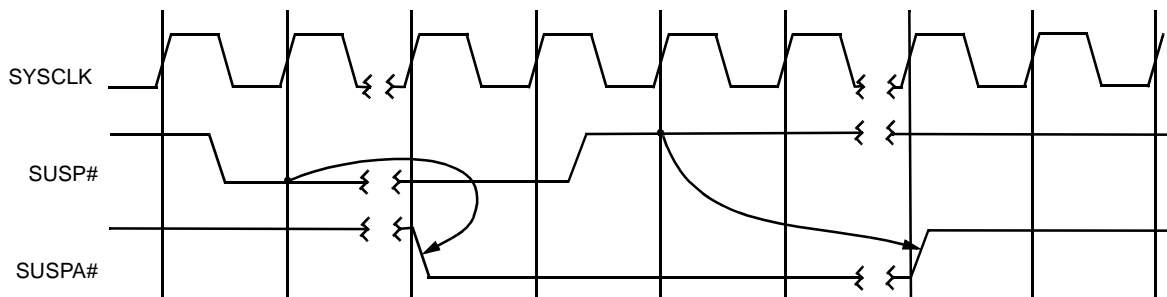


Figure 6-1. SUSP#-Initiated Suspend Mode

Power Management (Continued)

6.5.2 Initiating Suspend with HALT

The CPU also enters Suspend mode as a result of executing a HALT instruction if the SUSP_HALT bit in CCR2 (Index C2h[3]) is set. Suspend mode is then exited upon recognition of an NMI, an unmasked INTR, or an SMI#. Normally SUSPA# is deactivated within six SYSCCLKS from the detection of an active interrupt. However, the

deactivation of SUSPA# may be delayed until the end of an active refresh cycle.

The CPU also allows PCI accesses during a HALT-initiated Suspend mode. If the CPU is in the middle of a PCI access when the Halt instruction is executed, the assertion of SUSPA# will be delayed until the PCI access is completed.

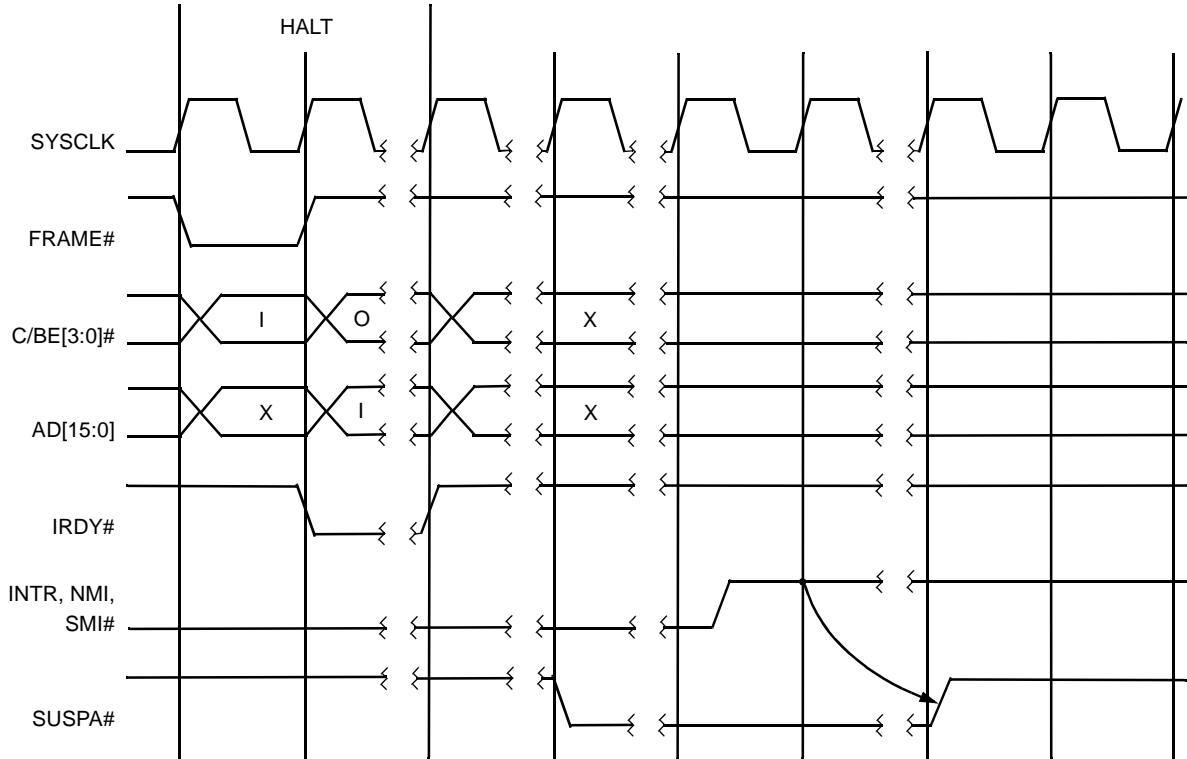


Figure 6-2. HALT-Initiated Suspend Mode

Power Management (Continued)

6.5.3 Responding to a PCI Access During Suspend Mode

The GXm processor can temporarily exit Suspend mode to handle PCI accesses. If an unmasked REQx# is asserted, the GXm processor will deassert SUSPA# and exit the Suspend mode to respond to the PCI access. A PCI access is completed when FRAME# is inactive and TRDY# or STOP# are active. If SUSP# is asserted when

the PCI access is completed, the GXm processor will assert SUSPA# and return to a SUSP#-initiated Suspend mode. If it was a HALT-initiated Suspend mode and no active interrupts have been recognized, the CPU will assert SUSPA# and return to a HALT-initiated Suspend mode.

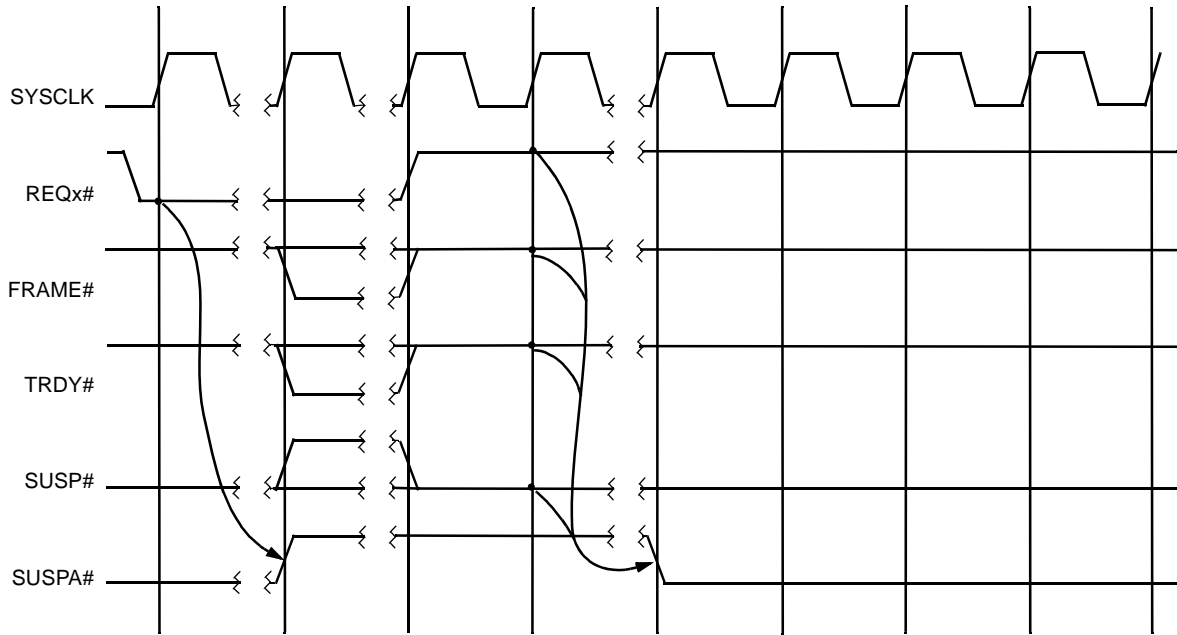


Figure 6-3. PCI Access During Suspend Mode

Power Management (Continued)

6.5.4 Stopping the Input Clock

Because the GXm processor is a static device, the input clock (SYSCLK) can be stopped and restarted without any loss of internal CPU data. If DRAMS are used that do not have self-refresh, bit 0 of the PM Clock Stop Control Register must be set to a one and the CLK32KHZ input must be continuously applied to keep the refresh circuitry running. The SYSCLK input can be stopped at either a logic high or logic low state. The required sequence for stopping SYSCLK is to initiate CPU Suspend mode, wait for the assertion of SUSPA# by the processor, and then stop the input clock.

The CPU remains suspended until SYSCLK is restarted and the Suspend mode is exited as described earlier. While SYSCLK is stopped, the processor can no longer sample and respond to any input stimulus including REQx#, NMI, SMI#, INTR, and RESET inputs.

Figure 6-4 illustrates the recommended sequence for stopping the SYSCLK using SUSP# to initiate Suspend mode. SYSCLK may be started prior to or following negation of the SUSP# input. The figure includes the SUSP_3V pin from the CS5530 which is used to stop the external clocks.

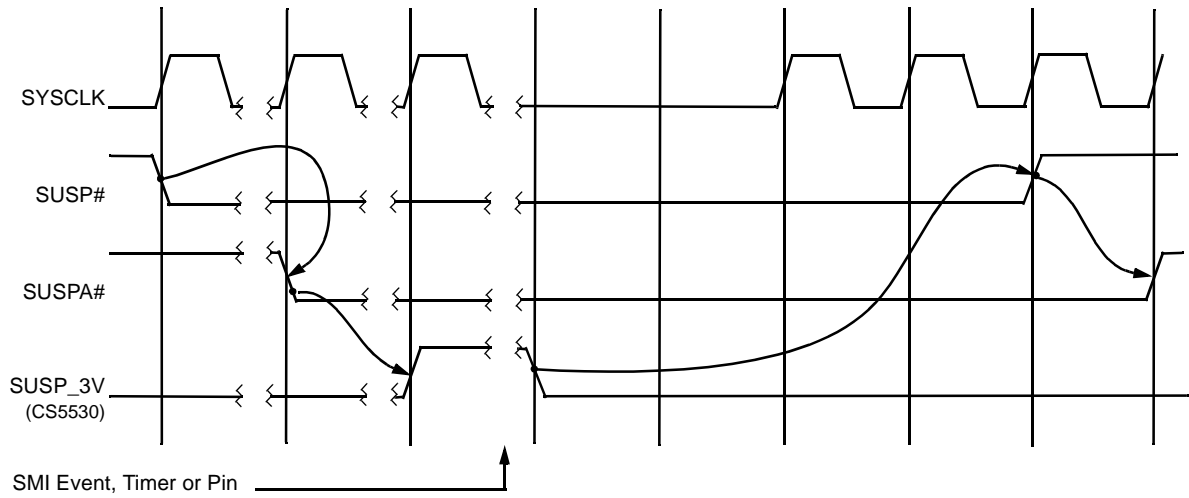


Figure 6-4. Stopping SYSCLK During Suspend Mode

Power Management (Continued)

6.6 GXM PROCESSOR SERIAL BUS

The power management logic of the GXm processor provides the CS5530 with information regarding the GXm processor productivity. If the GXm processor is determined to be relatively inactive, the GXm processor power consumption can be greatly reduced by entering the Suspend Modulation mode.

Although the majority of the system power management logic is implemented in the CS5530, a small amount of logic is required within the GXm processor to provide information from the graphics controller that is not externally visible otherwise. The GXm processor implements a simple serial communications mechanism to transmit the CPU status to the CS5530. The GXm processor accumulates CPU events in a 8-bit register, “PM Serial Packet Register” (GX_BASE+850Ch, see Table 6-1), which is serially transmitted out of the GXm processor every 1 to 10 μ s. The transmission frequency is set with the “PM Serial Packet Control Register” (GX_BASE+8504h, see Table 6-1).

6.6.1 Serial Packet Transmission

The GXm processor transmits the contents of the “PM Serial Packet Register” on the SERIALP output pin to the PSERIAL input pin of the CS5530. The GXm processor holds SERIALP low until the transmission interval counter (GX_BASE+8504h[4:3]) has elapsed. Once the counter has elapsed, PSERIAL is held high for two SYSCLKs to

indicate the start of packet transmission. The contents of the packet register are then shifted out starting from bit 7 down to bit 0. PSERIAL is held high for one SYSCLK to indicate the end of packet transmission and then remains low until the next transmission interval. After the packet transmission has completed, the packet contents are cleared.

6.7 POWER MANAGEMENT REGISTERS

The GXm processor contains the power management registers for the serial packet transmission control, the user-defined power management address space, Suspend Refresh, and SMI status for Suspend/Resume. These registers are memory mapped (GX_BASE+8500h-8FFFh) in the address space of the GXm processor and are described in the following sections. Refer to Section 4.1.2 “Control Registers” on page 94 for instructions on accessing these registers.

Note, however, the PM_BASE and PM_MASK registers are accessed with the CPU_READ and CPU_WRITE instructions. Refer to Section 4.1.6 “CPU_READ/CPU_WRITE Instructions” on page 99 for more information regarding these instructions.

Table 6-1 summarizes the above mentioned registers. Tables 6-2 and 6-3 starting on page 180 give these register's bit formats.

Table 6-1. Power Management Register Summary

GX_BASE+ Memory Offset	Type	Name/Function	Default Value
Control and Status Registers			
8500h-8503h	R/W	PM_STAT_SMI PM SMI Status Register — Contains System Management Mode (SMM) status information used by SoftVGA.	xxxxxx00h
8504h-8507h	R/W	PM_CNTRL_TEN PM Serial Packet Control Register — Sets the serial packet transmission frequency and enables specific CPU events to be recorded in the serial packet.	xxxxxx00h
8508h-850Bh	R/W	PM_CNTRL_CSTP PM Clock Stop Control Register — Enables the 3-V Suspend Mode for the GXm processor.	xxxxxx00h
850Ch-850Fh	R/W	PM_SER_PACK PM Serial Packet Register — Transmits the contents of the serial packet.	xxxxxx00h
Programmable Address Region Registers			
FFFF FF6Ch	R/W	PM_BASE PM Base Register — Contains the base address for the programmable memory range decode. This register, in combination with the PM_MASK register, is used to generate a memory range decode which sets bit 1 in the serial transmission packet.	00000000h
FFFF FF7Ch	R/W	PM_MASK PM Mask Register — The address mask for the PM_BASE register	00000000h

Power Management (Continued)

Table 6-2. Power Management Control and Status Registers

Bit	Name	Description
GX_BASE+8500h-8503h PM_STAT_SMI Register (R/W) Default Value = xxxxxx00h		
31:8	RSVD	Reserved — These bits are not used. Do not write to these bits.
7:3	RSVD	Reserved — Set to 0.
2	SMI_MEM	SMI VGA Emulation Memory — This bit is set high if a SMI was generated for VGA emulation in response to a VGA memory access. An SMI can be generated on a memory access to one of three regions in the A0000h-to-BFFFFh range as specified in the BC_XMAP_1 register.
1	SMI_IO	SMI VGA Emulation I/O — This bit is set high if a SMI was generated for VGA emulation in response to an I/O access. An SMI can be generated on a I/O access to one of three regions in the 3B0h-to-3DFh range as specified in the BC_XMAP_1 register.
0	SMI_PIN	SMI Pin — When set high, this bit indicates that the SMI# input pin has been asserted to the GXm processor.
Note: These bits are "sticky" bits and can only be cleared with a write of '1' to the respective bit.		
GX_BASE+8504h-8507h PM_CNTRL_TEN Register (R/W) Default Value = xxxxxx00h		
31:8	RSVD	Reserved — These bits are not used. Do not write to these bits.
7:6	RSVD	Reserved — Set to 0.
5	X_TEST (WO)	Transmission Test (Write Only) — Setting this bit causes the GXm processor to immediately transmit the current contents of the serial packet. This bit is write only and is used primarily for test. This bit returns 0 on a read.
4:3	X_FREQ	Transmission Frequency — This field indicates the time between serial packet transmissions. Serial packet transmissions occur at the selected interval only if at least one of the packet bits is set high: 00 = Disable transmitter; 01 = 1 ms; 10 = 5 ms; 11 = 10 ms.
2	CPU_RD	CPU Activity Read Enable — Setting this bit high enables reporting of CPU Level-1 cache read misses that are not a result of an instruction fetch. This bit is a don't-care if the CMEN bit is not set high
1	CPU_EN	CPU Activity Master Enable — Setting this bit high enables reporting of CPU Level-1 cache misses in bit 6 of the serial transmission packet. When enabled, the CPU Level-1 cache miss activity is reported on any read (assuming the CREN is set high) or write access excluding misses that resulted from an instruction fetch.
0	VID_EN	Video Event Enable — Setting this bit high enables video decode events to be reported in bit 0 of the serial transmission packet. CPU or graphics-pipeline accesses to the graphics memory and display-controller-register accesses are also reported.
GX_BASE+8508h-850Bh PM_CNTRL_CSTP Register (R/W) Default Value = xxxxxx00h		
31:8	RSVD	Reserved — These bits are not used. Do not write to these bits.
7:1	RSVD	Reserved — Set to 0.
0	CLK_STP	Clock Stop — This bit configures the GXm processor for Suspend Refresh Mode or 3-Volt Suspend Mode: 0 = Suspend Refresh Mode. The clocks to the memory and display controller are active. 1 = 3-Volt Suspend Mode. All internal clocks are stopped.
Note: When this register is set high and the Suspend input pin (SUSP#) is asserted, the GXm processor stops all its internal clocks, and asserts the Suspend Acknowledge output pin (SUSPA#). Once SUSPA# is asserted the GXm processor's SYSCLK input can be stopped. If this register is cleared, the internal memory-controller and display-controller clocks are not stopped on the SUSP#/SUSPA# sequence, and the SYSCLK input can not be stopped.		
GX_BASE+850Ch-850Fh PM_SER_PACK Register (R/W) Default Value = xxxxxx00h		
31:8	RSVD	Reserved — These bits are not used. Do not write to these bits.
7	VID_IRQ	Video IRQ — This bit indicates the occurrence of a video vertical sync pulse. This bit is set at the same timer that the VINT (Vertical Interrupt) bit is set in the DC_TIMING_CFG register. The VINT bit has a corresponding enable bit (VIEN) in the DC_TIM_CFG register.
6	CPU_ACT	CPU Activity — This bit indicates the occurrence of a level 1 cache miss that was not a result of an instruction fetch. This bit has a corresponding enable bit in the PM_CNTRL_TEN register.
5:2	RSVD	Reserved — Set to 0.
1	USR_DEF	Programmable Address Decode — This bit indicates the occurrence of a programmable memory address decode. This bit is set based on the values of the PM_BASE register and the PM_MASK register. The PM_BASE register can be initialized to any address in the full 128 MB address range.

Power Management (Continued)

Table 6-2. Power Management Control and Status Registers (Continued)

Bit	Name	Description
0	VID_DEC	Video Decode — This bit indicates that the CPU has accessed either the Display Controller registers or the graphics memory region. This bit has a corresponding enable bit in the PM_CNTRL_TEN.
<p>Note: The GxM processor transmits the contents of the serial packet only when a bit in the packet register is set and the interval counter has elapsed. The CS5530 decodes the serial packet after each transmission. Once a bit in the packet is set, it will remain set until the completion of the next packet transmission. Successive events of the same type that occur between packet transmissions are ignored. Multiple unique events between packet transmissions will accumulate in this register.</p>		

Table 6-3. Power Management Programmable Address Region Registers

Bit	Name	Description
Index FFFFFFF6Ch		PM_BASE Register (R/W) Default Value = 0000000h
31:28	RSVD	Reserved — Set to 0.
27:2	BASE_ADDR	Base Address — This is the word-aligned base address for the programmable memory range compare. The actual address range is determined with this field and the PM_MASK register value.
1:0	RSVD	Reserved — Set to 0.
Index FFFFFFF7Ch		PM_MASK Register (R/W) Default Value = 0000000h
31:28	RSVD	Reserved — Set to 0.
27:2	ADR_MASK	Address Mask — This field is the address mask for the BASE_ADDR field in the PM_BASE register. If a bit in the ADR_MASK field is cleared the corresponding bit in the BASE_ADDR field must match the processor address. If a bit in the mask field is set high, the corresponding bit in the BASE_ADDR field always compares. If the processor cycle type matches the values of the WE and RE bits, and all bits in the BADD field match the processor address based on the ADR_MASK field, bit 1 will be set high in the serial transmission packet.
1	WE	Write Enable — Compare memory write cycles with BASE_ADDR and ADR_MASK: 0 = Disable; 1 = Enable.
0	RE	Read Enable — Compare memory read cycles with BASE_ADDR and ADR_MASK: 0 = Disable; 1 = Enable

7.0 Electrical Specifications

This section provides information on electrical connections, absolute maximum ratings, required operating conditions, DC characteristics, and AC characteristics for the Geode GXm processor. All voltage values in the Electrical Specifications are with respect to V_{SS} unless otherwise noted. For detailed information on the PCI bus electrical specification refer to Chapter 4 of the PCI Bus Specification, Revision 2.1.

7.1 PART NUMBERS

The following part numbers designate the various speeds available. For all speeds, the V_{CC2} voltage is 2.9V nominal and the V_{CC3} voltage is 3.3V nominal.

Table 7-1. Part Numbers

Core Frequency (MHz)	Temperature (Degree C)	Part Marking
266	70	GXm-266P 2.9V 70C
	85	GXm-266P 2.9V 85C
	70	GXm-266B 2.9V 70C
	85	GXm-266B 2.9V 85C
233	70	GXm-233P 2.9V 70C
	85	GXm-233P 2.9V 85C
	70	GXm-233B 2.9V 70C
	85	GXm-233B 2.9V 85C
200	70	GXm-200P 2.9V 70C
	85	GXm-200P 2.9V 85C
	70	GXm-200B 2.9V 70C
	85	GXm-200B 2.9V 85C
180	70	GXm-180P 2.9V 70C
	85	GXm-180P 2.9V 85C
	70	GXm-180B 2.9V 70C
	85	GXm-180B 2.9V 85C
Note: B = BGA Package P = SPGA Package		

7.2 ELECTRICAL CONNECTIONS

7.2.1 Power/Ground Connections and Decoupling

Testing and operating the GXm processor requires the use of standard high frequency techniques to reduce parasitic effects. These effects can be minimized by filtering the DC power leads with low-inductance decoupling capacitors, using low-impedance wiring, and by utilizing all of the V_{CC2} , V_{CC3} , and V_{SS} pins.

7.2.2 Power Sequencing the Core and I/O Voltages

With two voltages connected to the GXm processor, it is important that the voltages come up in the correct order. V_{CC2} should come up at or before V_{CC3} . There are no additional timing requirements related to this sequence.

7.2.3 NC-Designated Pins

Pins designated NC (No Connection) should be left disconnected. Connecting an NC pin to a pull-up/down resistor, or an active signal could cause unexpected results and possible circuit malfunctions.

7.2.4 Pull-Up and Pull-Down Resistors

Table 7-2 lists the input pins that are internally connected to a 20-kohm pull-up/down resistor. When unused, these inputs do not require connection to an external pull-up/down resistor.

Table 7-2. Pins with 20-kohm Internal Resistor

Signal Name	BGA Ball No.	SPGA Pin No.	PU/PD
SUSP#*	H2	M4	Pull-up
FRAME#	A8	C13	Pull-up
IRDY#	C9	D14	Pull-up
TRDY#	B9	B14	Pull-up
STOP#	C11	A15	Pull-up
LOCK#	B11	B16	Pull-up
DEVSEL#	A9	E15	Pull-up
PERR#	A11	D16	Pull-up
SERR#	C12	A17	Pull-up
REQ[2:0]#	D3, H3, E3	E3, K2, E1	Pull-up
TCLK	J2	P4	Pull-up
TMS	H1	N3	Pull-up
TDI	D2	F4	Pull-up
TEST	F3	J5	Pull-down
Note: *SUSP# is pulled up when not active.			

7.2.5 Unused Input Pins

All inputs not used by the system designer and not listed in Table 7-2 should be kept at either ground or V_{CC3} . To prevent possible spurious operation, connect active-high inputs to ground through a 20-kohm ($\pm 10\%$) pull-down resistor and active-low inputs to V_{CC3} through a 20-kohm ($\pm 10\%$) pull-up resistor.

Electrical Specifications (Continued)

7.3 ABSOLUTE MAXIMUM RATINGS

Table 7-3 lists absolute maximum ratings for the GXm processor. Stresses beyond the listed ratings may cause permanent damage to the device. Exposure to conditions beyond these limits may (1) reduce device reliability and (2) result in premature failure even when there is no immediately apparent sign of failure. Prolonged exposure to conditions at or near the absolute maximum ratings may also result

in reduced useful life and reliability. These are stress ratings only and do not imply that operation under any conditions other than those listed under Table 7-4 on page 184 is possible.

Table 7-3. Absolute Maximum Ratings

Parameter	Min	Max	Units	Notes
Operating Case Temperature	-65	110	°C	Power Applied
Storage Temperature	-65	150	°C	No Bias
Supply Voltage		3.2	V	
Voltage On Any Pin	-0.5	6.0	V	
Input Clamp Current, I_{IK}	-0.5	10	mA	Power Applied
Output Clamp Current, I_{OK}		25	mA	Power Applied

Electrical Specifications (Continued)**7.4 OPERATING CONDITIONS**

Table 7-4 lists the operating conditions for the GXm processor.

Table 7-4. Operating Conditions

Symbol	Parameter	Min	Max	Units	Notes
T_C	Operating Case Temperature	0	70	°C	For Desktop Applications
T_C	Operating Case Temperature	0	85	°C	For Notebook Applications
V_{CC2}	Supply Voltage (2.9V nominal)	2.75	3.05	V	
V_{CC3}	Supply Voltage (3.3V nominal)	3.14	3.46	V	
V_{IH}	High-Level Input Voltage:				
	All input and I/O pins except SDRAM Interface and SYSCLK	2.0	5.5	V	Note 1
	SDRAM Interface	2.0	$V_{CC3}+0.5$	V	Note 2
	SYSCLK	2.7	5.5	V	Note 1
V_{IL}	Low-Level Input Voltage:				
	All except PCI bus and SYSCLK	-0.5	0.8	V	
	PCI bus	-0.5	$0.3 \cdot V_{CC3}$	V	
	SYSCLK	-0.5	0.4	V	
I_{OH}	High-Level Output Current		-2	mA	$V_O = V_{OH}$ (Min)
I_{OL}	Low-Level Output Current		5	mA	$V_O = V_{OL}$ (Max)
Notes: 1) This parameter indicates that these pins are tolerant to the PCI 5 Volt Signaling Environment DC specification.					
2) SDRAM Interface Pins: BA[1:0], CAS[A:B]#, CKE[A:B], CS[3:0]#, DQM[7:0], MA[12:0], MD[63:0], RASA#, RASB#, SDCLK_IN, SDCLK_OUT, SDCLK[3:0], TEST[3:0], WE[A:B]#					

Electrical Specifications (Continued)

7.5 DC CHARACTERISTICS

DC characteristics were measured under the operating conditions listed in Table 7-4 on page 184.

Table 7-5. DC Characteristics

Symbol	Parameter	Min	Max	Units	Notes
V_{OL}	Output Low Voltage		0.4	V	$I_{OL} = 5 \text{ mA}$
V_{OH}	Output High Voltage	2.4		V	$I_{OH} = -2 \text{ mA}$
I_I	Input Leakage Current for all input pins except those with internal PU/PDs		± 10	μA	$0 < V_{IN} < V_{CC3}$, See Table 7-2
I_{IH}	Input Leakage Current for all pins with internal PDS.		200	μA	$V_{IH} = 2.4 \text{ V}$, See Table 7-2
I_{IL}	Input Leakage Current for all pins with internal PUs.		-400	μA	$V_{IL} = 0.35 \text{ V}$, See Table 7-2
I_{CC}	Active I_{CC} :				
	Core I_{CC2} at $f_{CLK} = 180 \text{ MHz}$ I/O I_{CC3} at $f_{CLK} = 180 \text{ MHz}$		2.25 0.400	A	Note 1
	Core I_{CC2} at $f_{CLK} = 200 \text{ MHz}$ I/O I_{CC3} at $f_{CLK} = 200 \text{ MHz}$		2.55 0.405		
	Core I_{CC2} at $f_{CLK} = 233 \text{ MHz}$ I/O I_{CC3} at $f_{CLK} = 233 \text{ MHz}$		2.85 0.410		
	Core I_{CC2} at $f_{CLK} = 266 \text{ MHz}$ I/O I_{CC3} at $f_{CLK} = 266 \text{ MHz}$		3.10 0.415		
Suspend Mode I_{CC} :					
I_{CCSM}	Core I_{CC2} at $f_{CLK} = 180 \text{ MHz}$ I/O I_{CC3} at $f_{CLK} = 180 \text{ MHz}$		18 8	mA	Notes 1 and 4
	Core I_{CC2} at $f_{CLK} = 200 \text{ MHz}$ I/O I_{CC3} at $f_{CLK} = 200 \text{ MHz}$		22 9		
	Core I_{CC2} at $f_{CLK} = 233 \text{ MHz}$ I/O I_{CC3} at $f_{CLK} = 233 \text{ MHz}$		25 10		
	Core I_{CC2} at $f_{CLK} = 266 \text{ MHz}$ I/O I_{CC3} at $f_{CLK} = 266 \text{ MHz}$		28 11		
	Standby I_{CC} (Suspend and CLK Stopped):				
I_{CCSS}	Core I_{CC2} at $f_{CLK} = 0 \text{ MHz}$ I/O I_{CC3} at $f_{CLK} = 0 \text{ MHz}$		10 5	mA	Notes 1 and 3
C_{IN}	Input Capacitance		16	pF	$f = 1 \text{ MHz}$, Note 2
C_{OUT}	Output or I/O Capacitance		16	pF	$f = 1 \text{ MHz}$, Note 2
C_{CLK}	CLK Capacitance		12	pF	$f = 1 \text{ MHz}$, Note 2
Notes: <ol style="list-style-type: none"> f_{CLK} ratings refer to internal clock frequency. Not 100% tested. All inputs are at 0.2 V or $V_{CC3} - 0.2$ (CMOS levels). All inputs are held static and all outputs are unloaded (static IOU_T = 0 mA). All inputs are at 0.2 V or $V_{CC3} - 0.2$ (CMOS levels). All inputs except clock are held static and all outputs are unloaded (static IOU_T = 0 mA). 					

Electrical Specifications (Continued)

7.6 AC CHARACTERISTICS

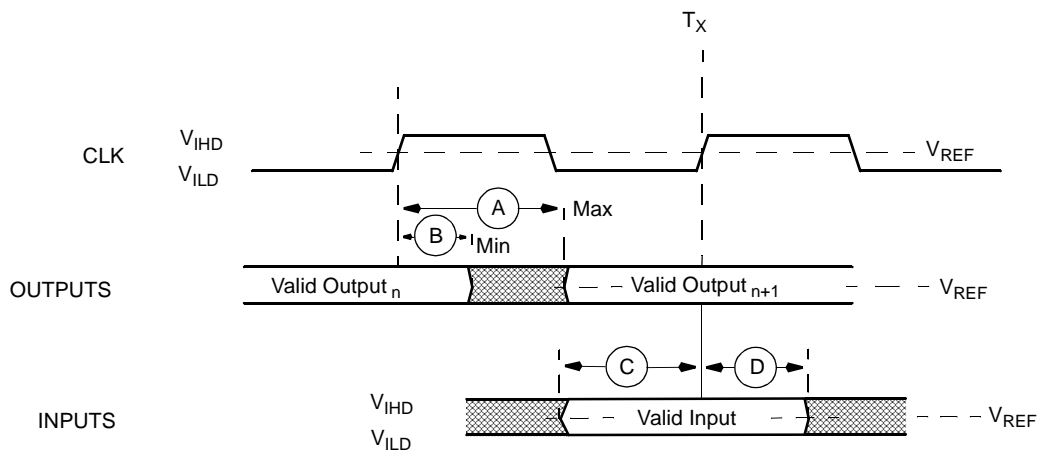
The following tables list the AC characteristics including output delays, input setup requirements, input hold requirements and output float delays. The rising-clock-edge reference level V_{REF} and other reference levels are shown in Table 7-6. Input or output signals must cross these levels during testing.

Input setup and hold times are specified minimums that define the smallest acceptable sampling window for which a synchronous input signal must be stable for correct operation.

All AC tests are at $V_{CC2} = 2.75V$ to $3.05V$ (2.9V nominal), $T_C = 0^\circ C$ to $70^\circ C$ or 85° , $C_L = 50$ pF unless otherwise specified.

Table 7-6. Drive Level and Measurement Points for Switching Characteristics

Symbol	Voltage (V)
V_{REF}	1.5
V_{IHD}	2.4
V_{ILD}	0.4



Legend:
 A = Maximum Output Delay Specification
 B = Minimum Output Delay Specification
 C = Minimum Input Setup Specification
 D = Minimum Input Hold Specification

Figure 7-1. Drive Level and Measurement Points for Switching Characteristics

Electrical Specifications (Continued)

Table 7-7. Clock Signals

Symbol	ParameterT	180 MHz (6x) (Note)		200 MHz (6x) (Note)		233 MHz (7x) (Note)		266 MHz (8x) (Note)		Units
		Min	Max	Min	Max	Min	Max	Min	Max	
t1	SYCLK Period		33.3		30.0		30.0		30.0	ns
t2	SYCLK Period Stability		±250		±250		±250		±250	ps
t3	SYCLK High Time	10		10		10		10		ns
t4	SYCLK Low Time	10		10		10		10		ns
t5	SYCLK Fall Time	0.15	2.0	0.15	2.0	0.15	2.0	0.15	2.0	ns
t6	SYCLK Rise Time	0.15	2.0	0.15	2.0	0.15	2.0	0.15	2.0	ns
t7	DCLK Period	7.3		7.3		7.3		7.3		ns
t8	DCLK Rise/Fall Time		3.0		3.0		3.0		3.0	ns
t9	SDCLK_OUT, SDCLK[3:0] Period	14.5	19.5	13	17	11	16	10	13	ns
t10	SDCLK_OUT, SDCLK[3:0] High Time	7.5		6.5		5.5		5		ns
t11	SDCLK_OUT, SDCLK[3:0] Low Time	7.5		6.5		5.5		5		ns
t12	SDCLK_OUT, SDCLK[3:0] Fall Time	0.15	2.0	0.15	2.0	0.15	2.0	0.15	2.0	ns
t13	SDCLK_OUT, SDCLK[3:0] Rise Time	0.15	2.0	0.15	2.0	0.15	2.0	0.15	2.0	ns

Note: SDCLK timings (t9-t13) assume an SDCLK that is a "divide by 3" from the internal core clock. Hence:

180 MHz (6x) = 60.0 MHz SDCLK

200 MHz (6x) = 66.7 MHz SDCLK

233 MHz (7x) = 77.7 MHz SDCLK

266 MHz (8x) = 88.7 MHz SDCLK

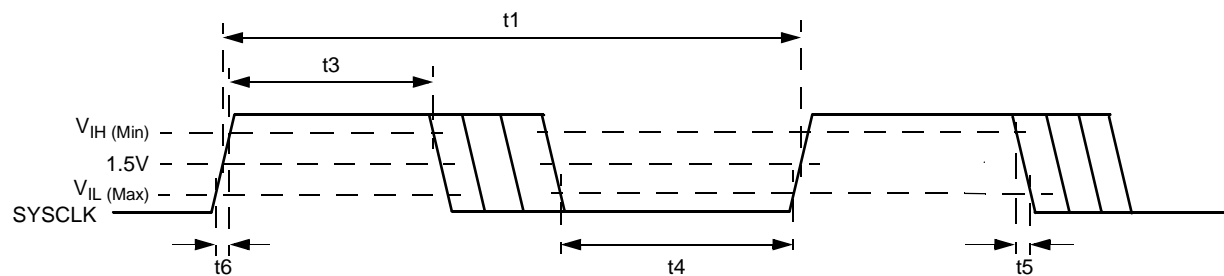


Figure 7-1 SYCLK Timing and Measurement Points

Electrical Specifications (Continued)

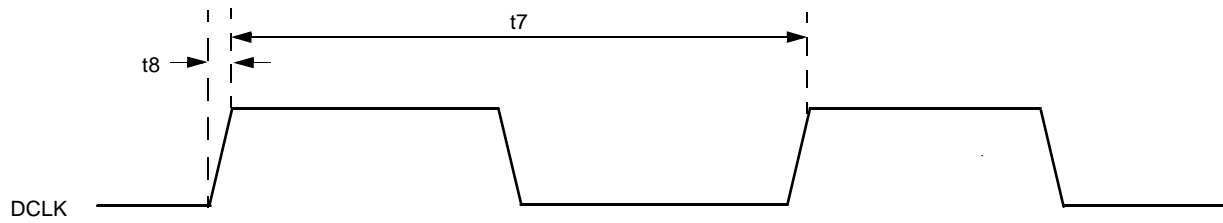


Figure 7-2. DCLK Timing and Measurement Points

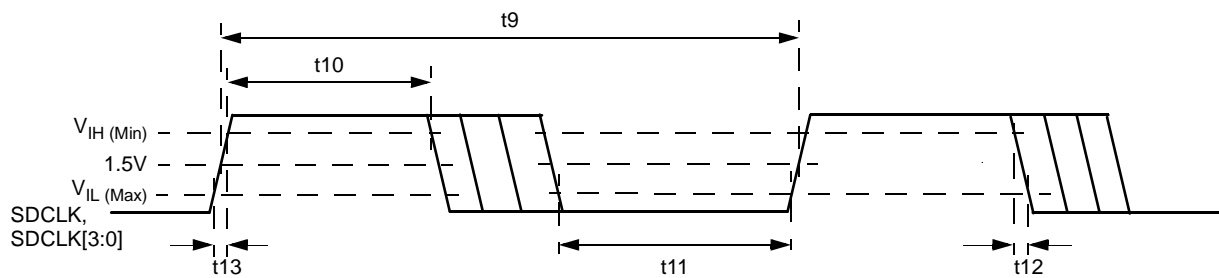


Figure 7-3. SDCLK, SDCLK[3:0] Timing and Measurement Points

Table 7-8. System Signals

Parameter	Min	Max	Unit	Notes
Setup Time for RESET, INTR	5		ns	Note
Hold Time for RESET, INTR	2		ns	Note
Setup Time for SMI#, SUSP#, FLT#	5		ns	
Hold Time for SMI#, SUSP#, FLT#	2		ns	
Valid Delay for IRQ13, SUSPA#	2	15	ns	
Valid Delay for SERIALP	2	15	ns	
Note: The system signals may be asynchronous. The setup/hold times are required for determining static behavior.				

Electrical Specifications (Continued)

Table 7-9. PCI Interface Signals

Symbol	Parameter	Min	Max	Unit	Notes
t_{VAL1}	Delay Time, SYSCLK to Signal Valid for Bused Signals	2	11	ns	
t_{VAL2}	Delay Time, SYSCLK to Signal Valid for GNT#	2	12	ns	Note
t_{ON}	Delay Time, Float to Active	2		ns	
t_{OFF}	Delay Time, Active to Float		28	ns	
t_{SU1}	Input Setup Time for Bused Signals	7		ns	
t_{SU2}	Input Setup Time for REQ#	12		ns	Note
t_H	Input Hold Time to SYSCLK	0		ns	

Note: GNT# and REQ# are point-to-point signals. All other PCI interface signals are bused. Refer to Chapter 4 of PCI Local Bus Specification, Revision 2.1, for more detailed information.

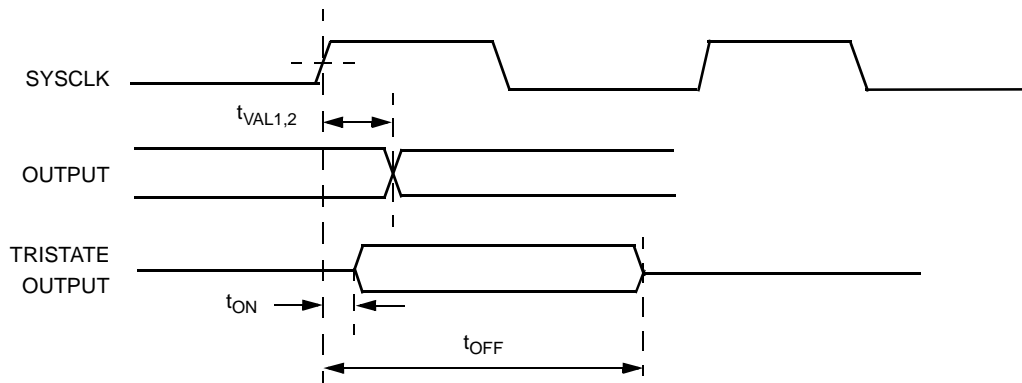


Figure 7-4. Output Timing

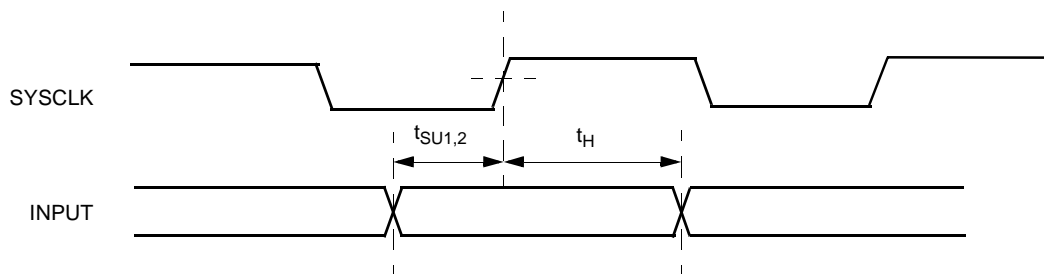


Figure 7-5. Input Timing

Electrical Specifications (Continued)

Table 7-10. SDRAM Interface Signals

Symbol	Parameter	Min	Max	Unit
t1	CNTRL* Output Valid from SDCLK[3:0]	Equation Number = -1.5 (see below)	Equation Number = -1.0 (see below)	ns
t2	MA[12:0], BA[1:0] Output Valid from SDCLK[3:0]	Equation Number = -1.7 (see below)	Equation Number = -1.2 (see below)	ns
t3	MD[63:0] Output Valid from SDCLK[3:0]	Equation Number = -1.6 (see below)	Equation Number = -0.3 (see below)	ns
t4	MD[63:0] Read Data in Setup to SDCLKIN	0		ns
t5	MD[63:0] Read Data Hold to SDCLKIN	2.0		ns

*CNTRL = RASA#, RASB# CASA#, CASB#, WEA#, WEB#, CKEA, CKEB, DQM[7:0], CS[3:0]#. Load = 50pF, Core Vcc = 2.9, I/O Vcc = 3.3V, 25°C.

Output Valid Equation: Use Min or Max number in equation: Min# or Max# + (x * y)
 Where: x = shift value applied to SHFTSDCLK field and y = (core clock period) ÷ 2
 Note that SHFTSDCLK field = GX_BASE+8404h[5:3], see page 109.

Equation Example:

A 200 MHz GXm processor running a 66 MHz SDRAM bus, with a shift value of 2:
 $t1 \text{ Min} = -1.5 + (2 * (5 \div 2)) = 3.5 \text{ ns}$
 $t1 \text{ Max} = -1.0 + (2 * (5 \div 2)) = 4.0 \text{ ns}$

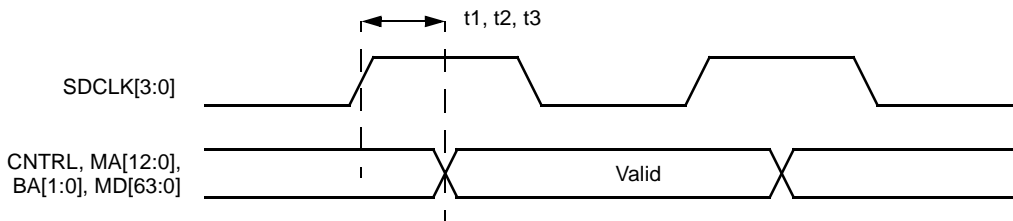


Figure 7-6. Output Valid Timing

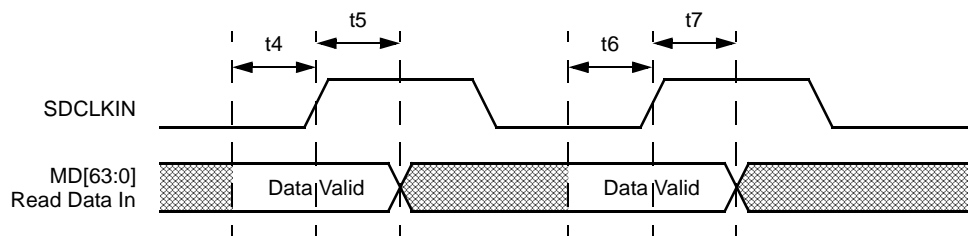


Figure 7-7. Setup and Hold Timings - Read Data In

Electrical Specifications (Continued)

Table 7-11. Video Interface Signals

Symbol	Parameter	Min	Max	Unit
t1	PCLK Period	7.4	40	ns
t2	PCLK High Time	3		ns
t3	PCLK Low Time	3		ns
t4	PIXEL[17:0], CRT_HSYNC, CRT_VSYNC, FP_HSYNC, FP_VSYNC, ENA_DISP Valid Delay from PCLK Rising Edge	2	5	ns
t5	VID_CLK Period	8.5		ns
t6	VID_RDY Setup to VID_CLK Rising Edge	5		ns
t7	VID_RDY Hold to VID_CLK Rising Edge	2		ns
t8	VID_VAL, VID_DATA[7:0] Valid Delay from VID_CLK Rising Edge	2	5	ns
t9	DCLK Period	7.4		ns
t10	DCLK Rise/Fall Time		3	ns
tcyc	DCLK Duty Cycle	40	60	%

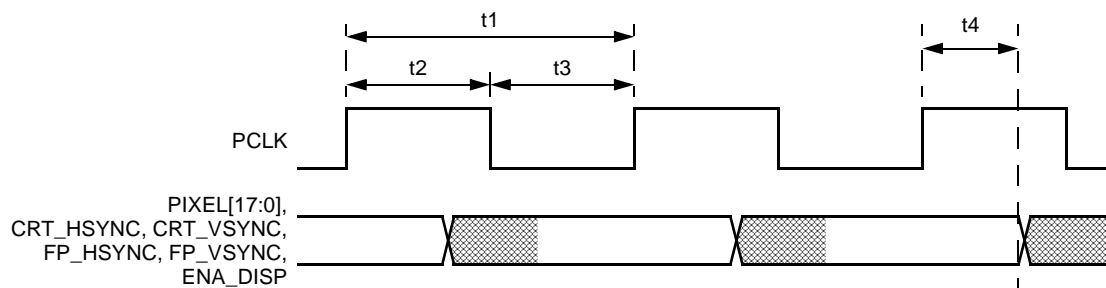


Figure 7-8. Graphics Port Timing

Electrical Specifications (Continued)

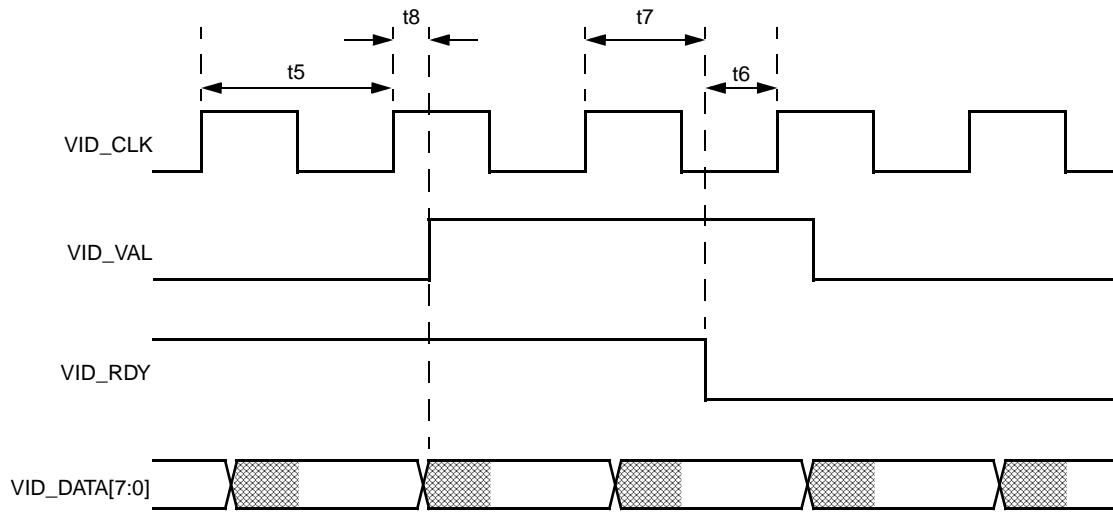


Figure 7-9. Video Port Timing

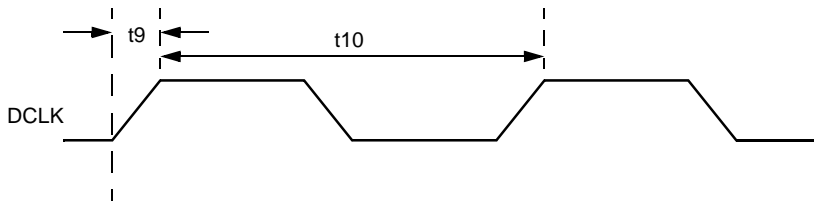


Figure 7-10. DCLK Timing

Electrical Specifications (Continued)

Table 7-12. JTAG AC Specification

Symbol	Parameter	Min	Max	Unit
	TCK Frequency (MHz)		25	MHz
t1	TCK Period	40		ns
t2	TCK High Time	10		ns
t3	TCK Low Time	10		ns
t4	TCK Rise Time		4	ns
t5	TCK Fall Time		4	ns
t6	TDO Valid Delay	3	25	ns
t7	Non-test Outputs Valid Delay	3	25	ns
t8	TDO Float Delay		30	ns
t9	Non-test Outputs Float Delay		36	ns
t10	TDI, TMS Setup Time	8		ns
t11	Non-test Inputs Setup Time	8		ns
t12	TDI, TMS Hold Time	7		ns
t13	Non-test Inputs Hold Time	7		ns

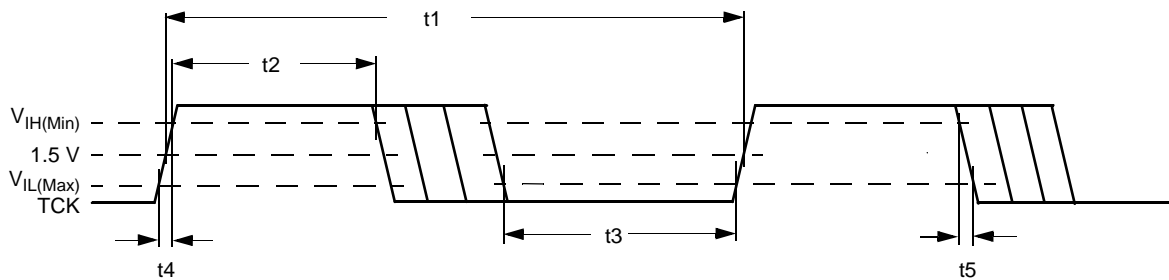


Figure 7-11. TCK Timing and Measurement Points

Electrical Specifications (Continued)

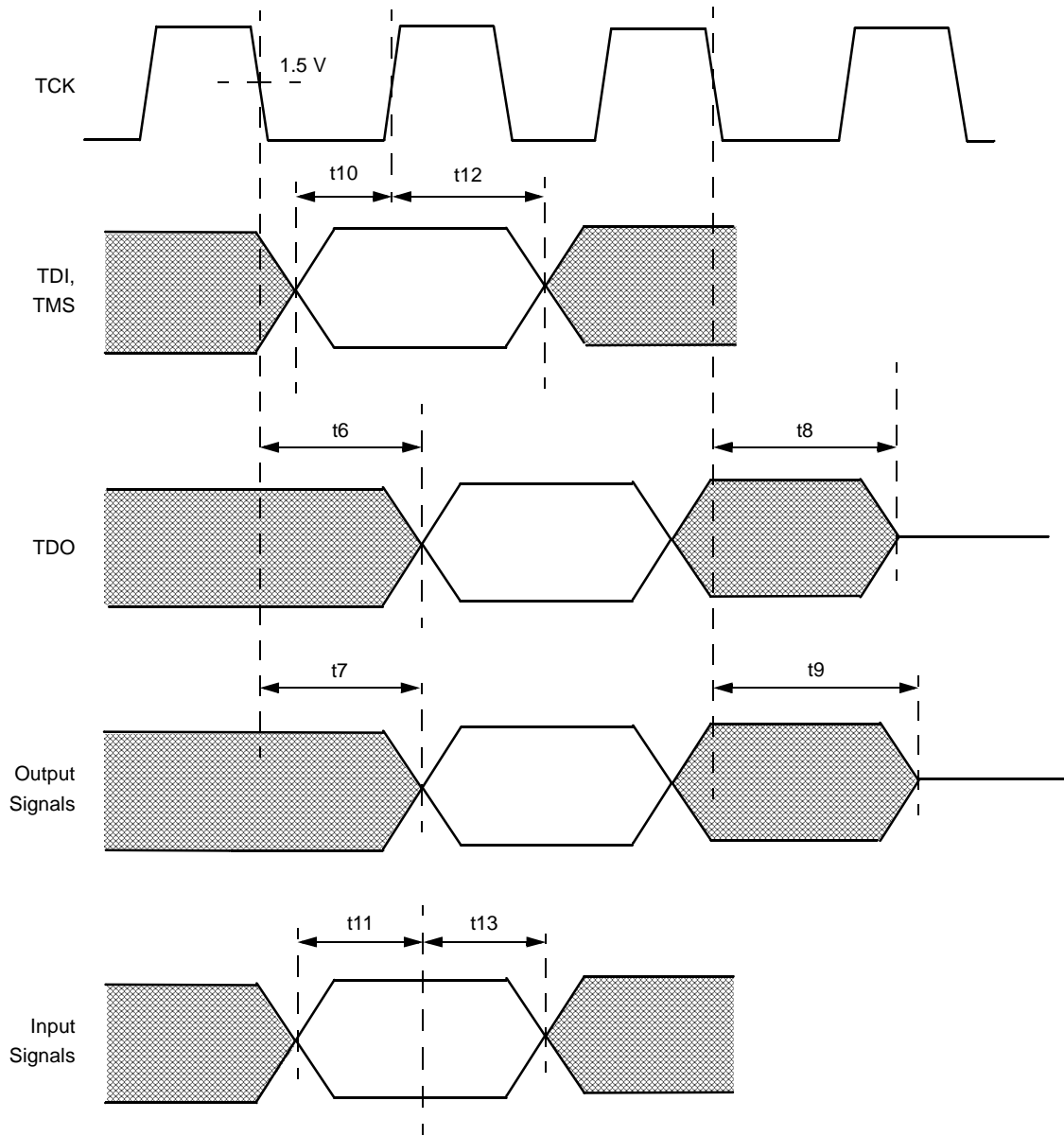


Figure 7-12. JTAG Test Timings

8.0 Package Specifications

The thermal characteristics and mechanical dimensions for the Geode GXm processor are provided on the following pages.

8.1 THERMAL CHARACTERISTICS

Table 8-1 shows the junction-to-case thermal resistance of the SPGA and BGA package and can be used to calculate the junction (die) temperature under any given circumstance.

Table 8-1. Junction-to-Case Thermal Resistance for SPGA and BGA Packages

Package	θ_{JC}
SPGA	1.7 °C/W
BGA	1.1 °C/W

Note that there is no specification for maximum junction temperature given since the operation of both SPGA and BGA devices are guaranteed to a case temperature range of 0°C to 85°C. As long as the case temperature of the device is maintained within this range, the junction temperature of the die will also be maintained within its allowable operating range. However, the die (junction) temperature under a given operating condition can be calculated by using the following equation:

$$T_J = T_C + (P * \theta_{JC})$$

where:

T_J = Junction temperature (°C)

T_C = Case temperature at top center of package (°C)

P = Power dissipation (W)

θ_{JC} = Junction-to-case thermal resistance (°C/W)

As stated previously, a maximum junction temperature is not specified since a maximum case temperature is. Therefore, the following equation can be used to calculate the maximum thermal resistance required of the thermal solution for a given maximum ambient temperature:

$$\theta_{CS} + \theta_{SA} = \frac{T_C - T_A}{P}$$

where:

θ_{CS} = Max case-to-heatsink thermal resistance (°C/W) allowed for thermal solution.

θ_{SA} = Max heatsink-to-ambient thermal resistance (°C/W) allowed for thermal solution.

T_A = Max ambient temperature (°C)

T_C = Max case temperature at top center of package (°C)

P = Max power dissipation (W)

If thermal grease is used between the case and heatsink, θ_{CS} will reduce to about 0.01 °C/W. Therefore, the above equation can be simplified to:

$$\theta_{CA} = \frac{T_C - T_A}{P}$$

where:

$\theta_{CA} = \theta_{CS}$ = Max case-to-ambient thermal resistance (°C/W) allowed for thermal solution.

The calculated θ_{CA} value (examples shown in Table 8-2) represents the maximum allowed thermal resistance of the selected cooling solution which is required to maintain the 85°C case temperature for the application in which the device is used.

These examples are given for reference only. The actual value used for Maximum Power (P) and ambient temperature (T_A) is determined by the system designer based on system configuration, extremes of the operating environment, and whether active thermal management (via Suspend Modulation) of the processor is employed.

Package Specifications (Continued)

Table 8-2. Case-to-Ambient Thermal Resistance Examples @ 85°C

Core Voltage (V _{CC2})	Core Frequency	Maximum Power	θ_{CA} for Different Ambient Temperatures (°C/W)				
			20°C	25°C	30°C	35°C	40°C
2.9V (Nominal)	266 MHz	7.7W	8.44	7.79	7.14	6.49	5.84
	233 MHz	7.1W	9.15	8.45	7.75	7.04	6.34
	200 MHz	6.4W	10.16	9.38	8.59	7.81	7.03
	180 MHz	6.0W	10.83	10.00	9.17	8.33	7.50

8.1.1 Heatsink Considerations

As described previously, Table 8-2 shows the maximum allowed thermal resistance of a heatsink for particular operating environments. The calculated values, defined as θ_{CA} , represent the required ability of a particular heatsink to transfer heat generated by the processor from its case into the air, thereby maintaining the case temperature at or below 85°C. Because θ_{CA} is a measure of thermal *resistivity*, it is inversely proportional to the heatsink's ability to dissipate heat or its thermal *conductivity*.

Note: A "perfect" heatsink would be able to maintain a case temperature equal to that of the ambient air inside the system chassis.

Looking at Table 8-2, it can be seen that as ambient temperature (T_A) increases, θ_{CA} decreases, and that as power consumption of the processor (P) increases, θ_{CA} decreases. Thus, the ability of the heatsink to dissipate thermal energy must increase as the processor power increases and as the temperature inside the enclosure increases.

While θ_{CA} is a useful parameter to calculate, heatsinks are not typically specified in terms of a single θ_{CA} . This is because the thermal resistivity of a heatsink is not constant across power or temperature. In fact, heatsinks become slightly less efficient as the amount of heat they are trying to dissipate increases. For this reason, heatsinks are typically specified by graphs that plot heat dissipation (in watts) vs. mounting surface (case) temperature rise above ambient (in °C). This method is necessary because ambient and case temperatures fluctuate constantly during normal operation of the system. The system designer must be careful to choose the proper heatsink by matching the required θ_{CA} with the thermal dissipation curve of the device under the entire range of operating conditions in order to make sure that a case temperature of 85°C is never surpassed.

Package Specifications (Continued)

To choose the proper heatsink, the system designer must make sure that the calculated θ_{CA} falls above the curve (shaded area). The curve itself defines the minimum temperature rise above ambient that the heatsink can maintain.

See Figure 8-1 as an example of a particular heatsink under consideration.

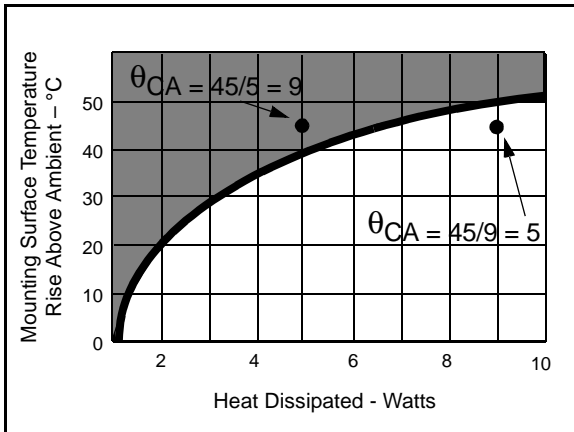


Figure 8-1. Heatsink Example

Example 1

Assume P (max) = 5W and T_A (max) = 40°C.

Therefore:

$$\theta_{CA} = \frac{T_C - T_A}{P}$$

$$\theta_{CA} = \frac{(85 - 40)}{5}$$

$$\theta_{CA} = 9$$

In this case, the heatsink under consideration is more than adequate since at 5W worst case, it can maintain a 40°C case temperature rise above ambient ($\theta_{CA} = 9$) when a maximum of 45°C ($\theta_{CA} = 8$) is required.

Example 2

Assume P (max) = 10W and T_A (max) = 40°C.

Therefore:

$$\theta_{CA} = \frac{T_C - T_A}{P}$$

$$\theta_{CA} = \frac{(85 - 40)}{9}$$

$$\theta_{CA} = 5$$

In this case, the heatsink under consideration is NOT adequate to maintain the 45°C case temperature rise above ambient for a 9W processor.

For more information on thermal design considerations or heatsink properties, refer to the Product Selection Guide of any leading vendor of Thermal Engineering solutions.

Package Specifications (Continued)

8.2 MECHANICAL PACKAGE OUTLINES

Dimensions for the BGA package are shown in Figure 8-2. Figure 8-3 shows the SPGA dimensions. Table 8-3 gives the legend for the symbols used in both package outlines.

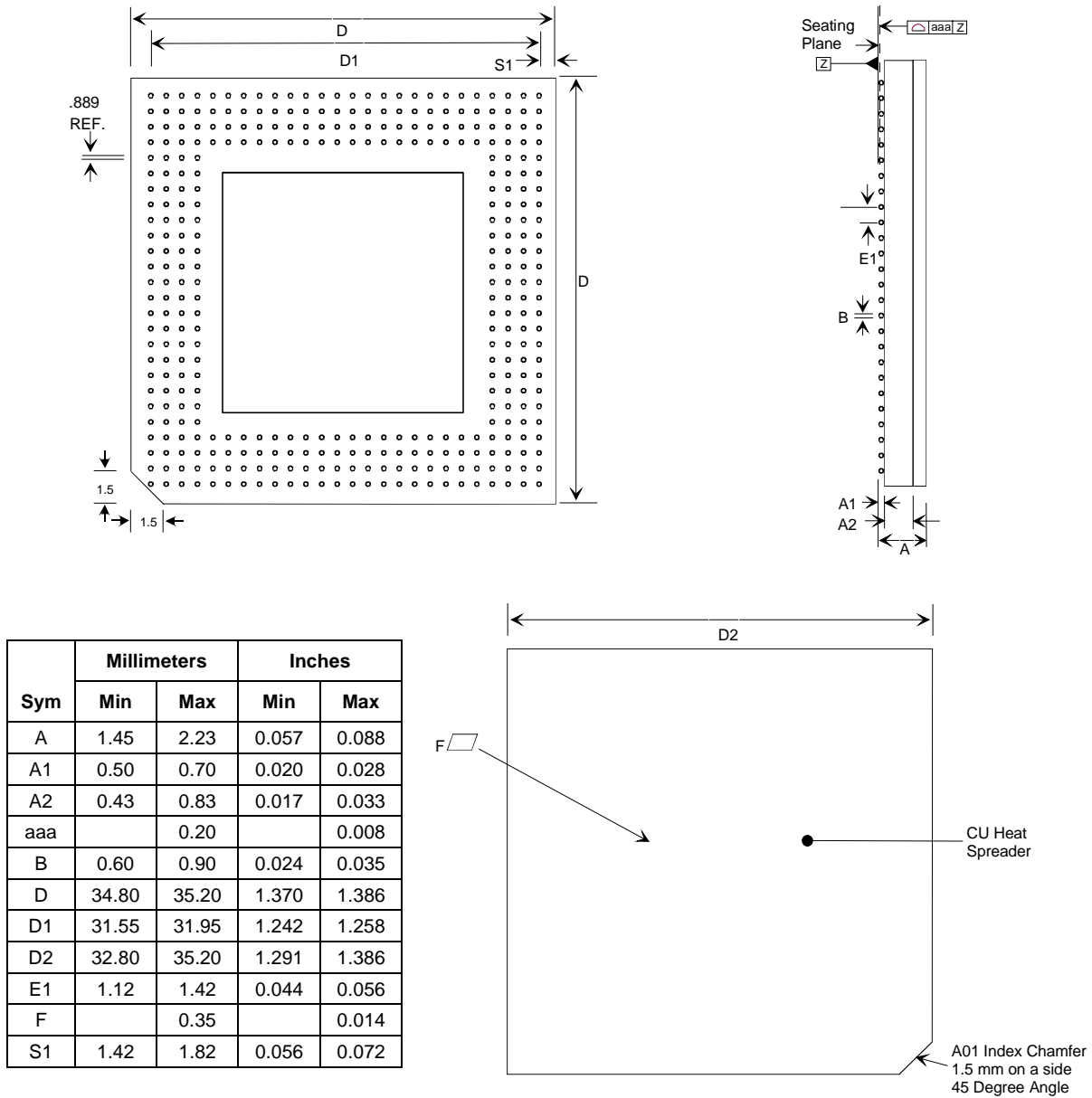
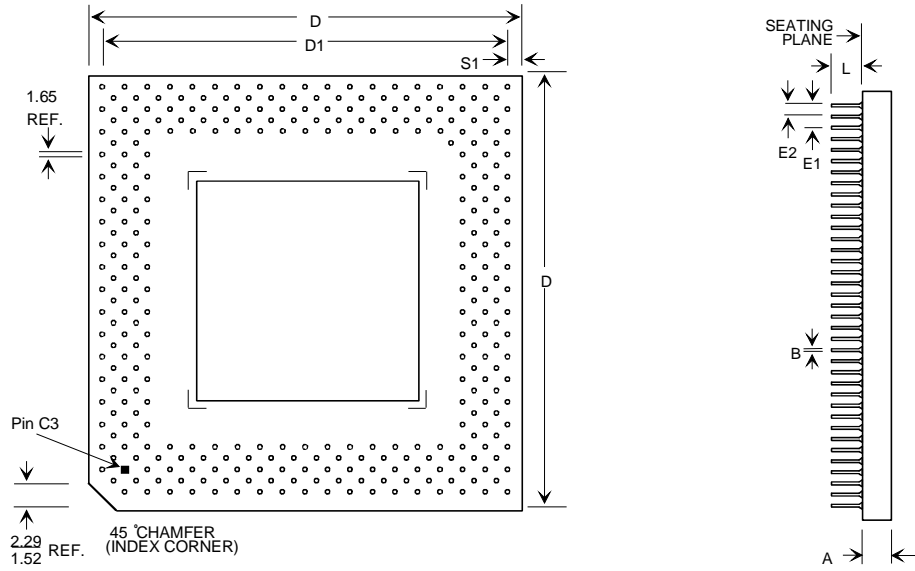


Figure 8-2. 352-Terminal BGA Mechanical Package Outline

Package Specifications (Continued)



Sym	Millimeters		Inches	
	Min	Max	Min	Max
A	2.51	3.07	0.099	0.121
B	0.43	0.51	0.017	0.020
D	49.28	49.91	1.940	1.965
D1	45.47	45.97	1.790	1.810
E1	2.41	2.67	0.095	0.105
E2	1.14	1.40	0.045	0.055
F	--	0.127 Diag	--	0.005 Diag
L	2.97	3.38	0.117	0.133
S1	1.65	2.16	0.065	0.085

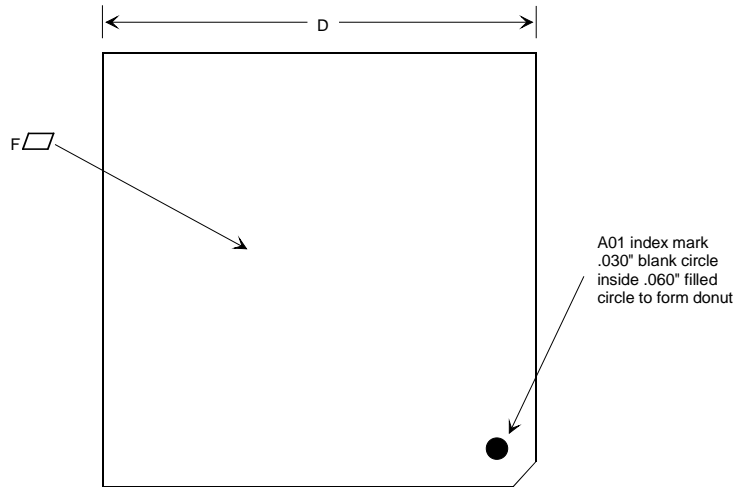


Figure 8-3. 320-Pin SPGA Mechanical Package Outline

Package Specifications (Continued)

Table 8-3. Mechanical Package Outline Legend

Symbol	Meaning
A	Distance from seating plane datum to highest point of body
A1	Solder ball height
A2	Laminate thickness (excluding heat spreader)
aaa	Coplanarity
B	Pin or solder ball diameter
D	Largest overall package outline dimension
D1	Length from outer pin center to outer pin center
D2	Heat spreader outline dimension
E1	BGA: Solder ball pitch SPGA: Linear spacing between true pin position centerlines
E2	Diagonal spacing between true pin position centerlines
F	Flatness
L	Distance from seating plane to tip of pin
S1	Length from outer pin/ball center to edge of laminate

9.0 Instruction Set

This section summarizes the Geode GXm processor instruction set and provides detailed information on the instruction encodings. The instruction set is broken into four categories:

- Processor Core Instruction Set - listed in Table 9-27 on page 213
- FPU Instruction Set - listed in Table 9-29 on page 225
- MMX Instruction Set - listed in Table 9-31 on page 230
- National Semiconductor Extended MMX Instruction Set - listed in Table 9-33 on page 235

These tables provide information on the instruction encoding, and the instruction clock counts for each instruction. The clock count values for these tables are based on the following assumptions

1. All clock counts refer to the microprocessor core internal clock frequency. For example, clock doubled GXm processor cores will reference a clock frequency that is twice the bus frequency.
2. The instruction has been prefetched, decoded and is ready for execution.
3. Bus cycles do not require wait states.
4. There are no local bus HOLD requests delaying processor access to the bus.
5. No exceptions are detected during instruction execution.
6. If an effective address is calculated, it does not use two general register components. One register, scaling and displacement can be used within the clock count shown. However, if the effective address calculation uses two general register components, add one clock to the clock count shown.
7. All clock counts assume aligned 32-bit memory/IO operands.
8. If instructions access a 32-bit operand on odd addresses, add one clock for read or write and add two clocks for read and write.
9. For non-cached memory accesses, add two clocks (clock doubled GXm processor cores) or four clocks (clock tripled GXm processor cores), assuming zero wait state memory accesses.
10. Locked cycles are not cacheable. Therefore, using the LOCK prefix with an instruction adds additional clocks as specified in item 9 above.

Instruction Set (Continued)

9.1 GENERAL INSTRUCTION SET FORMAT

Depending on the instruction, the GXm processor core instructions follow the general instruction format shown in Table 9-1.

These instructions vary in length and can start at any byte address. An instruction consists of one or more bytes that can include prefix bytes, at least one opcode byte, a mod r/m byte, an s-i-b byte, address displacement, and immediate data.

An instruction can be as short as one byte and as long as 15 bytes. If there are more than 15 bytes in the instruction, a general protection fault (error code 0) is generated.

The fields in the general instruction format at the byte level are summarized in Table 9-2 and detailed in the following subsections.

Table 9-1. General Instruction Set Format

Prefix (optional)	Opcode	Register and Address Mode Specifier						Address Displacement	Immediate Data
		mod r/m Byte			s-i-b Byte				
		mod	reg	r/m	ss	index	base		
0 or More Bytes	1 or 2 Bytes	7:6	5:3	2:0	7:6	5:3	2:0	0, 8, 16, or 32 Bits	0, 8, 16, or 32 Bits

Table 9-2. Instruction Fields

Field Name	Description
Prefix (optional)	Prefix Field(s): One or more optional fields that are used to specify segment register override, address and operand size, repeat elements in string instruction, LOCK# assertion.
Opcode	Opcode Field: Identifies instruction operation.
mod	Address Mode Specifier: Used with r/m field to select addressing mode.
reg	General Register Specifier: Uses reg, sreg3 or sreg2 encoding depending on opcode field.
r/m	Address Mode Specifier: Used with mod field to select addressing mode.
ss	Scale factor: Determines scaled-index address mode.
index	Index: Determines general register to be used as index register.
base	Base: Determines general register to be used as base register.
Address Displacement	Displacement: Determines address displacement.
Immediate Data	Immediate Data: Immediate-data operand used by instruction.

Instruction Set (Continued)

9.1.1 Prefix (Optional)

Prefix bytes can be placed in front of any instruction to modify the operation of that instruction. When more than one prefix is used, the order is not important. There are five types of prefixes that can be used:

1. Segment Override explicitly specifies which segment register the instruction will use for effective address calculation.
2. Address Size switches between 16-bit and 32-bit addressing by selecting the non-default address size.
3. Operand Size switches between 16-bit and 32-bit operand size by selecting the non-default operand size.
4. Repeat is used with a string instruction to cause the instruction to be repeated for each element of the string.
5. Lock is used to assert the hardware LOCK# signal during execution of the instruction.

Table 9-3 lists the encoding for different types of prefix bytes.

9.1.2 Opcode

The opcode field specifies the operation to be performed by the instruction. The opcode field is either one or two bytes in length and may be further defined by additional bits in the mod r/m byte. Some operations have more than one opcode, each specifying a different form of the operation. Certain opcodes name instruction groups. For example, opcode 80h names a group of operations that have an immediate operand and a register or memory operand. The reg field may appear in the second opcode byte or in the mod r/m byte.

The opcode may contain w, d, s and eee opcode fields as shown in the Table 9-27 on page 213

Table 9-3. Instruction Prefix Summary

Prefix	Encoding	Description
ES:	26h	Override segment default, use ES for memory operand.
CS:	2Eh	Override segment default, use CS for memory operand.
SS:	36h	Override segment default, use SS for memory operand.
DS:	3Eh	Override segment default, use DS for memory operand.
FS:	64h	Override segment default, use FS for memory operand.
GS:	65h	Override segment default, use GS for memory operand.
Operand Size	66h	Make operand size attribute the inverse of the default.
Address Size	67h	Make address size attribute the inverse of the default.
LOCK	F0h	Assert LOCK# hardware signal.
REPNE	F2h	Repeat the following string instruction.
REP/REPE	F3h	Repeat the following string instruction.

9.1.2.1 w Field (Operand Size)

When used, the 1-bit w field selects the operand size during 16-bit and 32-bit data operations. See Table 9-4.

Table 9-4. w Field Encoding

w Field	Operand Size	
	16-Bit Data Operations	32-Bit Data Operations
0	8 bits	8 bits
1	16 bits	32 bits

Instruction Set (Continued)

9.1.2.2 d Field (Operand Direction)

When used, the d field (bit 1) determines which operand is taken as the source operand and which operand is taken as the destination. See Table 9-5.

9.1.2.3 s Field (Immediate Data Field Size)

When used, the s field (bit 1) determines the size of the immediate data field. If the s bit is set, the immediate field of the opcode is 8 bits wide and is sign-extended to match the operand size of the opcode. See Table 9-6.

9.1.2.4 eee Field (MOV-Instruction Register Selection)

The eee field (bits [5:3]) is used to select the control, debug and test registers in the MOV instructions. The type of register and base registers selected by the eee field are listed in Table 9-7. The values shown in Table 9-7 are the only valid encodings for the eee bits.

Table 9-5. d Field Encoding

d Field	Direction of Operation	Source Operand	Destination Operand
0	Register-to-Register or Register-to-Memory	reg	mod r/m or mod ss-index-base
1	Register-to-Register or Memory-to-Register	mod r/m or mod ss-index-base	reg

Table 9-6. s Field Encoding

s Field	Immediate Field Size		
	8-Bit Operand Size	16-Bit Operand Size	32-Bit Operand Size
0 (or not present)	8 bits	16 bits	32 bits
1	8 bits	8 bits (sign-extended)	8 bits (sign-extended)

Table 9-7. eee Field Encoding

eee Field	Register Type	Base Register
000	Control Register	CR0
010	Control Register	CR2
011	Control Register	CR3
100	Control Register	CR4
000	Debug Register	DR0
001	Debug Register	DR1
010	Debug Register	DR2
011	Debug Register	DR3
110	Debug Register	DR6
111	Debug Register	DR7
011	Test Register	TR3
100	Test Register	TR4
101	Test Register	TR5
110	Test Register	TR6
111	Test Register	TR7

Instruction Set (Continued)

9.1.3 mod and r/m Byte (Memory Addressing)

The mod and r/m fields within the mod r/m byte, select the type of memory addressing to be used. Some instructions use a fixed addressing mode (e.g., PUSH or POP) and therefore, these fields are not present. Table 9-8 lists the addressing method when 16-bit addressing is used and a mod r/m byte is present. Some mod r/m field encodings are dependent on the w field and are shown in Table 9-8.

Table 9-8. General Registers Selected by mod r/m Fields and w Field

mod	r/m	16-Bit Operation		32-Bit Operation	
		w = 0	w = 1	w = 0	w = 1
11	000	AL	AX	AL	EAX
11	001	CL	CX	CL	ECX
11	010	DL	DX	DL	EDX
11	011	BL	BX	BL	EBX
11	100	AH	SP	AH	ESP
11	101	CH	BP	CH	EBP
11	110	DH	SI	DH	ESI
11	111	BH	DI	BH	EDI

Table 9-9. mod r/m Field Encoding

mod Field	r/m Field	16-Bit Address Mode with mod r/m Byte	32-Bit Address Mode with mod r/m Byte and No s-i-b Byte Present
00	000	DS:[BX+SI]	DS:[EAX]
00	001	DS:[BX+DI]	DS:[ECX]
00	010	SS:[BP+SI]	DS:[EDX]
00	011	SS:[BP+DI]	DS:[EBX]
00	100	DS:[SI]	s-i-b is present (See Table 9-15)
00	101	DS:[DI]	DS:[d32]
00	110	DS:[d16]	DS:[ESI]
00	111	DS:[BX]	DS:[EDI]
01	000	DS:[BX+SI+d8]	DS:[EAX+d8]
01	001	DS:[BX+DI+d8]	DS:[ECX+d8]
01	010	SS:[BP+SI+d8]	DS:[EDX+d8]
01	011	SS:[BP+DI+d8]	DS:[EBX+d8]
01	100	DS:[SI+d8]	s-i-b is present (See Table 9-15)
01	101	DS:[DI+d8]	SS:[EBP+d8]
01	110	SS:[BP+d8]	DS:[ESI+d8]
01	111	DS:[BX+d8]	DS:[EDI+d8]
10	000	DS:[BX+SI+d16]	DS:[EAX+d32]
10	001	DS:[BX+DI+d16]	DS:[ECX+d32]
10	010	SS:[BP+SI+d16]	DS:[EDX+d32]
10	011	SS:[BP+DI+d16]	DS:[EBX+d32]
10	100	DS:[SI+d16]	s-i-b is present (See Table 9-15)
10	101	DS:[DI+d16]	SS:[EBP+d32]
10	110	SS:[BP+d16]	DS:[ESI+d32]
10	111	DS:[BX+d16]	DS:[EDI+d32]
11	xxx	See Table 9-8.	See Table 9-8

Note: Note: d8 refers to 8-bit displacement, and d16 refers to 16-bit displacement.

Instruction Set (Continued)

9.1.4 reg Field

The reg field (Table 9-10) determines which general registers are to be used. The selected register is dependent on whether a 16- or 32-bit operation is current and on the status of the w bit.

9.1.4.1 sreg2 Field (ES, CS, SS, DS Register Selection)

The sreg2 field (Table 9-11) is a 2-bit field that allows one of the four 286-type segment registers to be specified.

9.1.4.2 sreg3 Field (FS and GS Segment Register Selection)

The sreg3 field (Table 9-12) is 3-bit field that is similar to the sreg2 field, but allows use of the FS and GS segment registers.

Table 9-10. General Registers Selected by reg Field

reg	16-Bit Operation		32-Bit Operation	
	w = 0	w = 1	w = 0	w = 1
000	AL	AX	AL	EAX
001	CL	CX	CL	ECX
010	DL	DX	DL	EDX
011	BL	BX	BL	EBX
100	AH	SP	AH	ESP
101	CH	BP	CH	EBP
110	DH	SI	DH	ESI
111	BH	DI	BH	EDI

Table 9-11. sreg2 Field Encoding

sreg2 Field	Segment Register Selected
00	ES
01	CS
10	SS
11	DS

Table 9-12. sreg3 Field Encoding

sreg3 Field	Segment Register Selected
000	ES
001	CS
010	SS
011	DS
100	FS
101	GS
110	Undefined
111	Undefined

Instruction Set (Continued)

9.1.5 s-i-b Byte (Scale, Indexing, Base)

The s-i-b fields provide scale factor, indexing and a base field for address selection. The ss, index and base fields are described next.

9.1.5.1 ss Field (Scale Selection)

The ss field (Table 9-13) specifies the scale factor used in the offset mechanism for address calculation. The scale factor multiplies the index value to provide one of the components used to calculate the offset address.

Table 9-13. ss Field Encoding

ss Field	Scale Factor
00	x1
01	x2
01	x4
11	x8

9.1.5.2 index Field (Index Selection)

The index field (Table 9-14) specifies the index register used by the offset mechanism for offset address calculation. When no index register is used (index field = 100), the ss value must be 00 or the effective address is undefined.

Table 9-14. index Field Encoding

Index Field	Index Register
000	EAX
001	ECX
010	EDX
011	EBX
100	none
101	EBP
110	ESI
111	EDI

9.1.5.3 Base Field (s-i-b Present)

In Table 9-9 on page 205, the note “s-i-b present” for certain entries forces the use of the mod and base field as listed in Table 9-15. The first two digits in the first column of Table 9-15 identify the mod bits in the mod r/m byte. The last three digits in the first column of this table identifies the base fields in the s-i-b byte.

Table 9-15. mod base Field Encoding

mod Field within mode/rm Byte (bits 7:6)	base Field within s-i-b Byte (bits 2:0)	32-Bit Address Mode with mod r/m and s-i-b Bytes Present
00	000	DS:[EAX+(scaled index)]
00	001	DS:[ECX+(scaled index)]
00	010	DS:[EDX+(scaled index)]
00	011	DS:[EBX+(scaled index)]
00	100	SS:[ESP+(scaled index)]
00	101	DS:[d32+(scaled index)]
00	110	DS:[ESI+(scaled index)]
00	111	DS:[EDI+(scaled index)]
01	000	DS:[EAX+(scaled index)+d8]
01	001	DS:[ECX+(scaled index)+d8]
01	010	DS:[EDX+(scaled index)+d8]
01	011	DS:[EBX+(scaled index)+d8]
01	100	SS:[ESP+(scaled index)+d8]
01	101	SS:[EBP+(scaled index)+d8]
01	110	DS:[ESI+(scaled index)+d8]
01	111	DS:[EDI+(scaled index)+d8]
10	000	DS:[EAX+(scaled index)+d32]
10	001	DS:[ECX+(scaled index)+d32]
10	010	DS:[EDX+(scaled index)+d32]
10	011	DS:[EBX+(scaled index)+d32]
10	100	SS:[ESP+(scaled index)+d32]
10	101	SS:[EBP+(scaled index)+d32]
10	110	DS:[ESI+(scaled index)+d32]
10	111	DS:[EDI+(scaled index)+d32]

Instruction Set (Continued)

9.2 CPUID INSTRUCTION

The CPUID instruction (opcode 0FA2) allows the software to make processor inquiries as to the vendor, family, model, stepping, features and also provides cache information. The GXm with MMX supports both the standard and National Semiconductor extended CPUID levels.

The presence of the CPUID instruction is indicated by the ability to change the value of the ID Flag, bit 21 in the EFLAGS register.

The CPUID level allows the CPUID instruction to return different information in the EAX, EBX, ECX, and EDX registers. The level is determined by the initialized value of the EAX register before the instruction is executed. A summary of the CPUID levels is shown in Table 9-16.

Table 9-16. CPUID Levels Summary

CPUID Type	Initialized EAX Register	Returned Data in EAX, EBX, ECX, EDX Registers
Standard	00000000h	Maximum standard levels, CPU vendor string
Standard	00000001h	Model, family, type and features
Standard	00000002h	TLB and cache information
Extended	80000000h	Maximum extended levels
Extended	80000001h	Extended model, family, type and features
Extended	80000002h	CPU marketing name string
Extended	80000003h	
Extended	80000004h	
Extended	80000005h	TLB and L1 cache description

9.2.1 Standard CPUID Levels

The standard CPUID levels are part of the standard x86 instruction set.

9.2.1.1 CPUID Instruction with EAX = 00000000h

Standard function 0h (EAX = 0) of the CPUID instruction returns the maximum standard CPUID levels as well as the processor vendor string.

After the instruction is executed, the EAX register contains the maximum standard CPUID levels supported. The maximum standard CPUID level is the highest acceptable value for the EAX register input. This does not include the extended CPUID levels.

The EBX through EDX registers contain the vendor string of the processor as shown in Table 9-17.

Table 9-17. CPUID Data Returned when EAX = 0

Register (Note)	Returned Contents			Description
EAX	2			Maximum Standard Level
EBX	69 (iryC)	72	7943	Vendor ID String 1
EDX	73 (snlx)	6E	4978	Vendor ID String 2
ECX	64 (daet)	61	6574	Vendor ID String 3

Note: The register column is intentionally out of order.

9.2.1.2 CPUID Instruction with EAX = 00000001h

Standard function 01h (EAX = 1) of the CPUID instruction returns the processor type, family, model, and stepping information of the current processor in the EAX register (see Table 9-18). The EBX and ECX registers are reserved.

Table 9-18. EAX, EBX, ECX CPUID Data Returned when EAX = 1

Register	Returned Contents	Description
EAX[3:0]	xx	Stepping ID
EAX[7:4]	4	Model
EAX[11:8]	5	Family
EAX[15:12]	0	Type
EAX[31:16]	-	Reserved
EBX	-	Reserved
ECX	-	Reserved

The standard feature flags supported are returned in the EDX register as shown in Table 9-19 on page 209. Each flag refers to a specific feature and indicates if that feature is present on the processor. Some of these features have protection control in CR4. Before using any of these features on the processor, the software should check the corresponding feature flag. Attempting to execute an unavailable feature can cause exceptions and unexpected behavior. For example, software must check bit 4 before attempting to use the Time Stamp Counter instruction.

Instruction Set (Continued)

Table 9-19. EDX CPUID Data Returned when EAX = 1

EDX	Returned Contents*	Feature Flag	CR4 Bit
EDX[0]	1	FPU On-Chip	-
EDX[1]	0	Virtual Mode Extension	-
EDX[2]	0	Debug Extensions	-
EDX[3]	0	Page Size Extensions	-
EDX[4]	1	Time Stamp Counter	2
EDX[5]	1	RDMSR / WRMSR Instructions	-
EDX[6]	0	Physical Address Extensions	-
EDX[7]	0	Machine Check Exception	-
EDX[8]	1	CMPXCHG8B Instruction	-
EDX[9]	0	On-Chip APIC Hardware	-
EDX[10]	0	Reserved	-
EDX[11]	0	SYSENTER / SYSEXIT Instructions	-
EDX[12]	0	Memory Type Range Registers	-
EDX[13]	0	Page Global Enable	-
EDX[14]	0	Machine Check Architecture	-
EDX[15]	1	Conditional Move Instructions	-
EDX[16]	0	Page Attribute Table	-
EDX[22:17]	0	Reserved	-
EDX[23]	1	MMX Instructions	-
EDX[24]	0	Fast FPU Save and Restore	-
EDX[31:25]	0	Reserved	-

Note: *0 = Not supported

9.2.1.3 CPUID Instruction with EAX = 0000002h

Standard function 02h (EAX = 02h) of the CPUID instruction returns information that is specific to the National Semiconductor family of processors. Information about the TLB is returned in EAX as shown in Table 9-20. Information about the L1 cache is returned in EDX.

Table 9-20. Standard CPUID with EAX = 0000002h

Register	Returned Contents	Description
EAX	xx xx 70 xxh	TLB is 32 Entry, 4-way set associative, and has 4 KByte Pages
EAX	xx xx xx 01h	The CPUID instruction needs to be executed only once with an input value of 02h to retrieve complete information about the cache and TLB
EBX		Reserved
ECX		Reserved
EDX	xx xx xx 80h	L1 cache is 16 KBytes, 4-way set associated, and has 16 bytes per line.

Instruction Set (Continued)

9.2.2 Extended CPUID Levels

Testing for extended CPUID instruction support can be accomplished by executing a CPUID instruction with the EAX register initialized to 80000000h. If a value greater than or equal to 80000000h is returned to the EAX register by the CPUID instruction, the processor supports extended CPUID levels.

9.2.2.1 CPUID Instruction with EAX = 8000000h

Extended function 80000000h (EAX = 80000000h) of the CPUID instruction returns the maximum extended CPUID levels supported by the current processor in EAX (Table 9-21). The EBX, ECX, and EDX registers are currently reserved.

Table 9-21. Maximum Extended CPUID Level

Register	Returned Contents	Description
EAX	80000005h	Maximum Extended CPUID Level (six levels)
EBX	-	Reserved
ECX	-	Reserved
EDX	-	Reserved

9.2.2.2 CPUID Instruction with EAX = 8000 0001h

Extended function 80000001h (EAX = 80000001h) of the CPUID instruction returns the processor type, family, model, and stepping information of the current processor in EAX. The EBX and ECX registers are reserved.

The extended feature flags supported are returned in the EDX register as shown in Table 9-23. Each flag refers to a specific feature and indicates if that feature is present on the processor. Some of these features have protection control in CR4. Before using any of these features on the processor, the software should check the corresponding feature flag.

Table 9-22. EAX, EBX, ECX CPUID Data Returned when EAX = 80000001h

Register	Returned Contents	Description
EAX[3:0]	xx	Stepping ID
EAX[7:4]	4	Model
EAX[11:8]	5	Family
EAX[15:12]	0	Processor Type
EAX[31:16]	-	Reserved
EBX	-	Reserved
ECX	-	Reserved

Table 9-23. EDX CPUID Data Returned when EAX = 80000001h

EDX	Returned Contents*	Feature Flag	CR4 Bit
EDX[0]	1	FPU On-Chip	-
EDX[1]	0	Virtual Mode Extension	-
EDX[2]	0	Debugging Extension	-
EDX[3]	0	Page Size Extension (4 MB)	-
EDX[4]	1	Time Stamp Counter	2
EDX[5]	1	National Semiconductor Model-Specific Registers (via RDMSR / WRMSR Instructions)	-
EDX[6]	0	Reserved	-
EDX[7]	0	Machine Check Exception	-
EDX[8]	1	CMPXCHG8B Instruction	-
EDX[9]	0	Reserved	-
EDX[10]	0	Reserved	-
EDX[11]	0	SYSCALL / SYSRET Instruction	-
EDX[12]	0	Reserved	-
EDX[13]	0	Page Global Enable	-
EDX[14]	0	Reserved	-
EDX[15]	1	Integer Conditional Move Instruction	-
EDX[16]	0	FPU Conditional Move Instruction	-
EDX[22:17]	0	Reserved	-
EDX[23]	1	MMX	-
EDX[24]	1	6x86MX Multimedia Extensions	-

Note: 0 = Not supported

Instruction Set (Continued)

9.2.2.3 CPUID Instruction with EAX = 8000002h, 8000003h, 8000004h

Extended functions 8000002h through 8000004h (EAX = 8000002h, EAX = 8000003h, EAX = 8000004h) of the CPUID instruction return an ASCII string containing the name of the current processor. These functions eliminate the need to look up the processor name in a lookup table. Software can simply call these functions to obtain the name of the processor. The string may be 48 ASCII characters long, and is returned in little endian format. If the name is shorter than 48 characters long, the remaining bytes will be filled with ASCII NUL character (00h).

Table 9-24. Official CPU Name

8000002h		8000003h		8000004h	
EAX	CPUName 1	EAX	CPUName 5	EAX	CPUName 9
EBX	CPUName 2	EBX	CPUName 6	EBX	CPUName 10
ECX	CPUName 3	ECX	CPUName 7	ECX	CPUName 11
EDX	CPUName 4	EDX	CPUName 8	EDX	CPUName 12

9.2.2.4 CPUID Instruction with EAX = 8000005h

Extended function 8000005h (EAX = 8000005h) of the CPUID instruction returns information about the TLB and L1 cache to be looked up in a lookup table. Refer to Table 9-25.

**Table 9-25. Standard CPUID with
EAX = 8000005h**

Register	Returned Contents	Description
EAX	--	Reserved
EBX	xx xx 70 xxh	TLB is 32 Entry, 4-way set associative, and has 4 KByte Pages
EBX	xx xx xx 01h	The CPUID instruction needs to be executed only once with an input value of 02h to retrieve complete information about the cache and TLB
ECX	xx xx xx 80h	L1 cache is 16 KBytes, 4-way set associated, and has 16 bytes per line.
EDX	--	Reserved

Instruction Set (Continued)

9.3 PROCESSOR CORE INSTRUCTION SET

The instruction set for the GXm processor core is summarized in Table 9-27 on page 213. The table uses several symbols and abbreviations that are described next and listed in Table 9-26.

Opcodes

Opcodes are given as hex values except when they appear within brackets as binary values.

Clock Counts

The clock counts listed in the instruction set summary table are grouped by operating mode (Real and Protected) and whether there is a register/cache hit or a cache miss. In some cases, more than one clock count is shown in a column for a given instruction, or a variable is used in the clock count.

Flags

There are nine flags that are affected by the execution of instructions. The flag names have been abbreviated and various conventions used to indicate what effect the instruction has on the particular flag.

Table 9-26. Processor Core Instruction Set Table Legend

Symbol or Abbreviation	Description
Opcode	
#	Immediate 8-bit data
##	Immediate 16-bit data
###	Full immediate 32-bit data (8, 16, 32 bits)
+	8-bit signed displacement
+++	Full signed displacement (16, 32 bits)
Clock Count	
/	Register operand/memory operand.
n	Number of times operation is repeated.
L	Level of the stack frame.
	Conditional jump taken Conditional jump not taken. (e.g. "4 1" = 4 clocks if jump taken, 1 clock if jump not taken)
\	$CPL \leq IOPL \setminus CPL > IOPL$ (where CPL = Current Privilege Level, IOPL = I/O Privilege Level)
Flags	
OF	Overflow Flag
DF	Direction Flag
IF	Interrupt Enable Flag
TF	Trap Flag
SF	Sign Flag
ZF	Zero Flag
AF	Auxiliary Flag
PF	Parity Flag
CF	Carry Flag
x	Flag is modified by the instruction.
-	Flag is not changed by the instruction.
0	Flag is reset to "0".
1	Flag is set to "1".
u	Flag is undefined following execution the instruction.

Instruction Set (Continued)

Table 9-27. Processor Core Instruction Set Summary

Instruction	Opcode	Flags								Real Mode	Prot'd Mode	Real Mode	Prot'd Mode	
		O F	D F	I F	T F	S F	Z F	A F	P F	C F	Clock Count (Reg/Cache Hit)	Notes		
AAA ASCII Adjust AL after Add	37	u	-	-	-	u	u	x	u	x	3	3		
AAD ASCII Adjust AX before Divide	D5 0A	u	-	-	-	x	x	u	x	u	7	7		
AAM ASCII Adjust AX after Multiply	D4 0A	u	-	-	-	x	x	u	x	u	19	19		
AAS ASCII Adjust AL after Subtract	3F	u	-	-	-	u	u	x	u	x	3	3		
ADC Add with Carry														
Register to Register	1 [00dw] [11 reg r/m]	x	-	-	-	x	x	x	x	x	1	1	b	h
Register to Memory	1 [000w] [mod reg r/m]										1	1		
Memory to Register	1 [001w] [mod reg r/m]										1	1		
Immediate to Register/Memory	8 [00sw] [mod 010 r/m]###										1	1		
Immediate to Accumulator	1 [010w] ###										1	1		
ADD Integer Add														
Register to Register	0 [00dw] [11 reg r/m]	x	-	-	-	x	x	x	x	x	1	1	b	h
Register to Memory	0 [000w] [mod reg r/m]										1	1		
Memory to Register	0 [001w] [mod reg r/m]										1	1		
Immediate to Register/Memory	8 [00sw] [mod 000 r/m]###										1	1		
Immediate to Accumulator	0 [010w] ###										1	1		
AND Boolean AND														
Register to Register	2 [00dw] [11 reg r/m]	0	-	-	-	x	x	u	x	0	1	1	b	h
Register to Memory	2 [000w] [mod reg r/m]										1	1		
Memory to Register	2 [001w] [mod reg r/m]										1	1		
Immediate to Register/Memory	8 [00sw] [mod 100 r/m]###										1	1		
Immediate to Accumulator	2 [010w] ###										1	1		
ARPL Adjust Requested Privilege Level														
From Register/Memory	63 [mod reg r/m]	-	-	-	-	-	x	-	-	-		9	a	h
BB0_Reset Set BLT Buffer 0 Pointer to the Base	0F 3A										2	2		
BB1_Reset Set BLT Buffer 1 Pointer to the Base	0F 3B										2	2		
BOUND Check Array Boundaries														
If Out of Range (Int 5)	62 [mod reg r/m]	-	-	-	-	-	-	-	-	-	8+INT	8+INT	b, e	g,h,j,k,r
If In Range											7	7		
BSF Scan Bit Forward														
Register, Register/Memory	0F BC [mod reg r/m]	-	-	-	-	-	x	-	-	-	4/9+n	4/9+n	b	h
BSR Scan Bit Reverse														
Register, Register/Memory	0F BD [mod reg r/m]	-	-	-	-	-	x	-	-	-	4/11+n	4/11+n	b	h
BSWAP Byte Swap														
	0F C[1 reg]	-	-	-	-	-	-	-	-	-	6	6		
BT Test Bit														
Register/Memory, Immediate	0F BA [mod 100 r/m]#	-	-	-	-	-	-	-	-	x	1	1	b	h
Register/Memory, Register	0F A3 [mod reg r/m]										1/7	1/7		
BTC Test Bit and Complement														
Register/Memory, Immediate	0F BA [mod 111 r/m]#	-	-	-	-	-	-	-	-	x	2	2	b	h
Register/Memory, Register	0F BB [mod reg r/m]										2/8	2/8		
BTR Test Bit and Reset														
Register/Memory, Immediate	0F BA [mod 110 r/m]#	-	-	-	-	-	-	-	-	x	2	2	b	h
Register/Memory, Register	0F B3 [mod reg r/m]										2/8	2/8		
BTS Test Bit and Set														
Register/Memory	0F BA [mod 101 r/m]	-	-	-	-	-	-	-	-	x	2	2	b	h
Register (short form)	0F AB [mod reg r/m]										2/8	2/8		

Instruction Set (Continued)

Table 9-27. Processor Core Instruction Set Summary (Continued)

Instruction	Opcode	Flags	Real Mode	Prot'd Mode	Real Mode	Prot'd Mode				
		O F	D F	I F	T F	S F	Z F	A F	P F	C F
CALL Subroutine Call										
Direct Within Segment	E8 +++	- - - - - - - -	3	3	b	h,j,k,r				
Register/Memory Indirect Within Segment	FF [mod 010 r/m]		3/4	3/4						
Direct Intersegment -Call Gate to Same Privilege -Call Gate to Different Privilege No Par's -Call Gate to Different Privilege m Par's -16-bit Task to 16-bit TSS -16-bit Task to 32-bit TSS -16-bit Task to V86 Task -32-bit Task to 16-bit TSS -32-bit Task to 32-bit TSS -32-bit Task to V86 Task	9A [unsigned full offset, selector]		9	14 24 45 51+2m 183 189 123 186 192 126						
Indirect Intersegment -Call Gate to Same Privilege -Call Gate to Different Privilege No Par's -Call Gate to Different Privilege m Par's -16-bit Task to 16-bit TSS -16-bit Task to 32-bit TSS -16-bit Task to V86 Task -32-bit Task to 16-bit TSS -32-bit Task to 32-bit TSS -32-bit Task to V86 Task	FF [mod 011 r/m]		11	15 25 46 52+2m 184 190 124 187 193 127						
CBW Convert Byte to Word	98	- - - - - - - -	3	3						
CDQ Convert Doubleword to Quadword	99	- - - - - - - -	2	2						
CLC Clear Carry Flag	F8	- - - - - - - 0	1	1						
CLD Clear Direction Flag	FC	- 0 - - - - - -	4	4						
CLI Clear Interrupt Flag	FA	- - 0 - - - - -	6	6		m				
CLTS Clear Task Switched Flag	0F 06	- - - - - - - -	7	7	c	l				
CMC Complement the Carry Flag	F5	- - - - - - - x	3	3						
CMOVA/CMOVNB Move if Above/Not Below or Equal										
Register, Register/Memory	0F 47 [mod reg r/m]	- - - - - - - -	1	1		r				
CMOVBE/CMOVNA Move if Below or Equal/Not Above										
Register, Register/Memory	0F 46 [mod reg r/m]	- - - - - - - -	1	1		r				
CMOVAE/CMOVNB/CMOVNC Move if Above or Equal/Not Below/Not Carry										
Register, Register/Memory	0F 43 [mod reg r/m]	- - - - - - - -	1	1		r				
CMOVB/CMOVNC/CMOVNAE Move if Below/Carry/Not Above or Equal										
Register, Register/Memory	0F 42 [mod reg r/m]	- - - - - - - -	1	1		r				
CMOVE/CMOVZ Move if Equal/Zero										
Register, Register/Memory	0F 44 [mod reg r/m]	- - - - - - - -	1	1		r				
CMOVNE/CMOVNZ Move if Not Equal/Not Zero										
Register, Register/Memory	0F 45 [mod reg r/m]	- - - - - - - -	1	1		r				
CMOVG/CMOVNLE Move if Greater/Not Less or Equal										
Register, Register/Memory	0F 4F [mod reg r/m]	- - - - - - - -	1	1		r				
CMOVLE/CMOVNG Move if Less or Equal/Not Greater										
Register, Register/Memory	0F 4E [mod reg r/m]	- - - - - - - -	1	1		r				
CMOVL/CMOVNGE Move if Less/Not Greater or Equal										
Register, Register/Memory	0F 4C [mod reg r/m]	- - - - - - - -	1	1		r				
CMOVGE/CMOVNL Move if Greater or Equal/Not Less										
Register, Register/Memory	0F 4D [mod reg r/m]	- - - - - - - -	1	1		r				
CMOVO Move if Overflow										
Register, Register/Memory	0F 40 [mod reg r/m]	- - - - - - - -	1	1		r				
CMOVNO Move if No Overflow										
Register, Register/Memory	0F 41 [mod reg r/m]	- - - - - - - -	1	1		r				
CMOVPE/CMOVPE Move if Parity/Parity Even										
Register, Register/Memory	0F 4A [mod reg r/m]	- - - - - - - -	1	1		r				
CMOVNP/CMOVPO Move if Not Parity/Parity Odd										
Register, Register/Memory	0F 4B [mod reg r/m]	- - - - - - - -	1	1		r				

Instruction Set (Continued)

Table 9-27. Processor Core Instruction Set Summary (Continued)

Instruction	Opcode	Flags								Real Mode	Prot'd Mode	Real Mode	Prot'd Mode	
		O	D	I	T	S	Z	A	P	C	Clock Count (Reg/Cache Hit)	Notes		
		F	F	F	F	F	F	F	F					
CMOVS Move if Sign														
Register, Register/Memory	0F 48 [mod reg r/m]	-	-	-	-	-	-	-	-	1	1		r	
CMOVNS Move if Not Sign														
Register, Register/Memory	0F 49 [mod reg r/m]	-	-	-	-	-	-	-	-	1	1		r	
CMP Compare Integers														
Register to Register	3 [10dw] [11 reg r/m]	x	-	-	-	x	x	x	x	x	1	1	b	h
Register to Memory	3 [101w] [mod reg r/m]										1	1		
Memory to Register	3 [100w] [mod reg r/m]										1	1		
Immediate to Register/Memory	8 [00sw] [mod 111 r/m] ###										1	1		
Immediate to Accumulator	3 [110w] ###										1	1		
CMPS Compare String	A [011w]	x	-	-	-	x	x	x	x	x	6	6	b	h
CMPXCHG Compare and Exchange														
Register1, Register2	0F B [000w] [11 reg2 reg1]	x	-	-	-	x	x	x	x	x	6	6		
Memory, Register	0F B [000w] [mod reg r/m]										6	6		
CMPXCHGB Compare and Exchange 8 Bytes	0F C7 [mod 001 r/m]	-	-	-	-	-	-	-	-	-				
CPUID CPU Identification	0F A2	-	-	-	-	-	-	-	-	-	12	12		
CPU_READ Read Special CPU Register	0F 3C										1	1		
CPU_WRITE Write Special CPU Register	0F 3D										1	1		
CWD Convert Word to Doubleword	99	-	-	-	-	-	-	-	-	-	2	2		
CWDE Convert Word to Doubleword Extended	98	-	-	-	-	-	-	-	-	-	3	3		
DAA Decimal Adjust AL after Add	27	-	-	-	-	x	x	x	x	x	2	2		
DAS Decimal Adjust AL after Subtract	2F	-	-	-	-	x	x	x	x	x	2	2		
DEC Decrement by 1														
Register/Memory	F [111w] [mod 001 r/m]	x	-	-	-	x	x	x	x	-	1	1	b	h
Register (short form)	4 [1 reg]										1	1		
DIV Unsigned Divide														
Accumulator by Register/Memory Divisor: Byte Word Doubleword	F [011w] [mod 110 r/m]	-	-	-	-	x	x	u	u	-	20 29 45	20 29 45	b,e	e,h
ENTER Enter New Stack Frame														
Level = 0	C8 ##, #	-	-	-	-	-	-	-	-	-	13	13	b	h
Level = 1											17	17		
Level (L) > 1											17+2*L	17+2*L		
HLT Halt	F4	-	-	-	-	-	-	-	-	-	10	10		l
IDIV Integer (Signed) Divide														
Accumulator by Register/Memory Divisor: Byte Word Doubleword	F [011w] [mod 111 r/m]	-	-	-	-	x	x	u	u	-	20 29 45	20 29 45	b,e	e,h
IMUL Integer (Signed) Multiply														
Accumulator by Register/Memory Multiplier: Byte Word Doubleword	F [011w] [mod 101 r/m]	x	-	-	-	x	x	u	u	x	4 5 15	4 5 15	b	h
Register with Register/Memory Multiplier: Word Doubleword	0F AF [mod reg r/m]										5 15	5 15		
Register/Memory with Immediate to Register2 Multiplier: Word Doubleword	6 [10s1] [mod reg r/m] ###										6 16	6 16		
IN Input from I/O Port														
Fixed Port	E [010w] #	-	-	-	-	-	-	-	-	-	8	8/22		m
Variable Port	E [110w]										8	8/22		
INS Input String from I/O Port	6 [110w]	-	-	-	-	-	-	-	-	-	11	11/25	b	h,m

Instruction Set (Continued)

Table 9-27. Processor Core Instruction Set Summary (Continued)

Instruction	Opcode	Flags	Real Mode	Prot'd Mode	Real Mode	Prot'd Mode					
		O F	D F	I F	T F	S F	Z F	A F	P F	C F	Clock Count (Reg/Cache Hit)
INC Increment by 1											
Register/Memory	F [111w] [mod 000 r/m]	x	-	-	-	x x x x -	1	1		b	h
Register (short form)	4 [0 reg]						1	1			
INT Software Interrupt											
INT i	CD #	-	-	x	0	- - - - -	19			b,e	g,j,k,r
Protected Mode: -Interrupt or Trap to Same Privilege -Interrupt or Trap to Different Privilege -16-bit Task to 16-bit TSS by Task Gate -16-bit Task to 32-bit TSS by Task Gate -16-bit Task to V86 by Task Gate -16-bit Task to 16-bit TSS by Task Gate -32-bit Task to 32-bit TSS by Task Gate -32-bit Task to V86 by Task Gate -V86 to 16-bit TSS by Task Gate -V86 to 32-bit TSS by Task Gate -V86 to Privilege 0 by Trap Gate/Int Gate											
INT 3	CC						INT	INT			
INTO If OF==0 If OF==1 (INT 4)	CE						4 INT	4 INT			
INVD Invalidate Cache	0F 08	-	-	-	-	- - - - -	20	20		t	t
INVLPG Invalidate TLB Entry	0F 01 [mod 111 r/m]	-	-	-	-	- - - - -	15	15			
IRET Interrupt Return											
Real Mode	CF	x	x	x	x	x x x x x x x x	13				g,h,j,k,r
Protected Mode: -Within Task to Same Privilege -Within Task to Different Privilege -16-bit Task to 16-bit Task -16-bit Task to 32-bit TSS -16-bit Task to V86 Task -32-bit Task to 16-bit TSS -32-bit Task to 32-bit TSS -32-bit Task to V86 Task											
										20 39 169 175 109 172 178 112	
JB/JNAE/JC Jump on Below/Not Above or Equal/Carry											
8-bit Displacement	72 +	-	-	-	-	- - - - -	1	1			r
Full Displacement	0F 82 +++						1	1			
JBE/JNA Jump on Below or Equal/Not Above											
8-bit Displacement	76 +	-	-	-	-	- - - - -	1	1			r
Full Displacement	0F 86 +++						1	1			
JCXZ/JECXZ Jump on CX/ECX Zero											
	E3 +	-	-	-	-	- - - - -	2	2			r
JE/JZ Jump on Equal/Zero											
8-bit Displacement	74 +	-	-	-	-	- - - - -	1	1			r
Full Displacement	0F 84 +++						1	1			
JL/JNGE Jump on Less/Not Greater or Equal											
8-bit Displacement	7C +	-	-	-	-	- - - - -	1	1			r
Full Displacement	0F 8C +++						1	1			
JLE/JNG Jump on Less or Equal/Not Greater											
8-bit Displacement	7E +	-	-	-	-	- - - - -	1	1			r
Full Displacement	0F 8E +++						1	1			

Instruction Set (Continued)

Table 9-27. Processor Core Instruction Set Summary (Continued)

Instruction	Opcode	Flags	Real Mode	Prot'd Mode	Real Mode	Prot'd Mode								
		O F	D F	I F	T F	S F	Z F	A F	P F	C F	Clock Count (Reg/Cache Hit)	Notes		
JMP Unconditional Jump														
8-bit Displacement	EB +	-	-	-	-	-	-	-	-	-	1	1	b	h,j,k,r
Full Displacement	E9 +++										1	1		
Register/Memory Indirect Within Segment	FF [mod 100 r/m]										1/3	1/3		
Direct Intersegment -Call Gate Same Privilege Level -16-bit Task to 16-bit TSS -16-bit Task to 32-bit TSS -16-bit Task to V86 Task -32-bit Task to 16-bit TSS -32-bit Task to 32-bit TSS -32-bit Task to V86 Task	EA [unsigned full offset, selector]										8	12		186 192 126 189 195 129
Indirect Intersegment -Call Gate Same Privilege Level -16-bit Task to 16-bit TSS -16-bit Task to 32-bit TSS -16-bit Task to V86 Task -32-bit Task to 16-bit TSS -32-bit Task to 32-bit TSS -32-bit Task to V86 Task	FF [mod 101 r/m]										10	13		23 187 193 127 190 196 130
JNB/JAE/JNC Jump on Not Below/Above or Equal/Not Carry														
8-bit Displacement	73 +	-	-	-	-	-	-	-	-	-	1	1		r
Full Displacement	0F 83 +++										1	1		
JNBE/JA Jump on Not Below or Equal/Above														
8-bit Displacement	77 +	-	-	-	-	-	-	-	-	-	1	1		r
Full Displacement	0F 87 +++										1	1		
JNE/JNZ Jump on Not Equal/Not Zero														
8-bit Displacement	75 +	-	-	-	-	-	-	-	-	-	1	1		r
Full Displacement	0F 85 +++										1	1		
JNL/JGE Jump on Not Less/Greater or Equal														
8-bit Displacement	7D +	-	-	-	-	-	-	-	-	-	1	1		r
Full Displacement	0F 8D +++										1	1		
JNLE/JG Jump on Not Less or Equal/Greater														
8-bit Displacement	7F +	-	-	-	-	-	-	-	-	-	1	1		r
Full Displacement	0F 8F +++										1	1		
JNO Jump on Not Overflow														
8-bit Displacement	71 +	-	-	-	-	-	-	-	-	-	1	1		r
Full Displacement	0F 81 +++										1	1		
JNP/JPO Jump on Not Parity/Parity Odd														
8-bit Displacement	7B +	-	-	-	-	-	-	-	-	-	1	1		r
Full Displacement	0F 8B +++										1	1		
JNS Jump on Not Sign														
8-bit Displacement	79 +	-	-	-	-	-	-	-	-	-	1	1		r
Full Displacement	0F 89 +++										1	1		
JO Jump on Overflow														
8-bit Displacement	70 +	-	-	-	-	-	-	-	-	-	1	1		r
Full Displacement	0F 80 +++										1	1		
JPI/JPE Jump on Parity/Parity Even														
8-bit Displacement	7A +	-	-	-	-	-	-	-	-	-	1	1		r
Full Displacement	0F 8A +++										1	1		
JS Jump on Sign														
8-bit Displacement	78 +	-	-	-	-	-	-	-	-	-	1	1		r
Full Displacement	0F 88 +++										1	1		
LAHF Load AH with Flags														
	9F	-	-	-	-	-	-	-	-	-	2	2		
LAR Load Access Rights														
From Register/Memory	0F 02 [mod reg r/m]	-	-	-	-	-	x	-	-	-		9	a	g,h,j,p
LDS Load Pointer to DS														
	C5 [mod reg r/m]	-	-	-	-	-	-	-	-	-	4	9	b	h,i,j

Instruction Set (Continued)

Table 9-27. Processor Core Instruction Set Summary (Continued)

Instruction	Opcode	Flags								Real Mode	Prot'd Mode	Real Mode	Prot'd Mode	
		O	D	I	T	S	Z	A	P	C	Clock Count (Reg/Cache Hit)		Notes	
		F	F	F	F	F	F	F	F					
LEA Load Effective Address														
No Index Register	8D [mod reg r/m]	-	-	-	-	-	-	-	-	1	1			
With Index Register										1	1			
LES Load Pointer to ES	C4 [mod reg r/m]	-	-	-	-	-	-	-	-	4	9	b	h,i,j	
LFS Load Pointer to FS	0F B4 [mod reg r/m]	-	-	-	-	-	-	-	-	4	9	b	h,i,j	
LGDT Load GDT Register	0F 01 [mod 010 r/m]	-	-	-	-	-	-	-	-	10	10	b,c	h,l	
LGS Load Pointer to GS	0F B5 [mod reg r/m]	-	-	-	-	-	-	-	-	4	9	b	h,i,j	
LIDT Load IDT Register	0F 01 [mod 011 r/m]	-	-	-	-	-	-	-	-	10	10	b,c	h,l	
LLDT Load LDT Register														
From Register/Memory	0F 00 [mod 010 r/m]	-	-	-	-	-	-	-	-		8	a	g,h,i,l	
LMSW Load Machine Status Word														
From Register/Memory	0F 01 [mod 110 r/m]	-	-	-	-	-	-	-	-	11	11	b,c	h,l	
LODS Load String	A [110 w]	-	-	-	-	-	-	-	-	3	3	b	h	
LSL Load Segment Limit														
From Register/Memory	0F 03 [mod reg r/m]	-	-	-	-	x	-	-	-		9	a	g,h,j,p	
LSS Load Pointer to SS	0F B2 [mod reg r/m]	-	-	-	-	-	-	-	-	4	10	a	h,i,j	
LTR Load Task Register														
From Register/Memory	0F 00 [mod 011 r/m]	-	-	-	-	-	-	-	-		9	a	g,h,i,l	
LEAVE Leave Current Stack Frame	C9	-	-	-	-	-	-	-	-	4	4	b	h	
LOOP Offset Loop/No Loop	E2 +	-	-	-	-	-	-	-	-	2	2		r	
LOOPNZ/LOOPNE Offset	E0 +	-	-	-	-	-	-	-	-	2	2		r	
LOOPZ/LOOPE Offset	E1 +	-	-	-	-	-	-	-	-	2	2		r	
MOV Move Data														
Register to Register	8 [10dw] [11 reg r/m]	-	-	-	-	-	-	-	-	1	1	b	h,i,j	
Register to Memory	8 [100w] [mod reg r/m]									1	1			
Register/Memory to Register	8 [101w] [mod reg r/m]									1	1			
Immediate to Register/Memory	C [011w] [mod 000 r/m] ###									1	1			
Immediate to Register (short form)	B [w reg] ###									1	1			
Memory to Accumulator (short form)	A [000w] +++									1	1			
Accumulator to Memory (short form)	A [001w] +++									1	1			
Register/Memory to Segment Register	8E [mod sreg3 r/m]									1	6			
Segment Register to Register/Memory	8C [mod sreg3 r/m]									1	1			
MOV Move to/from Control/Debug/Test Regs														
Register to CR0/CR2/CR3/CR4	0F 22 [11 eee reg]	-	-	-	-	-	-	-	-	20/5/5	18/5/6		l	
CR0/CR2/CR3/CR4 to Register	0F 20 [11 eee reg]									6	6			
Register to DR0-DR3	0F 23 [11 eee reg]									10	10			
DR0-DR3 to Register	0F 21 [11 eee reg]									9	9			
Register to DR6-DR7	0F 23 [11 eee reg]									10	10			
DR6-DR7 to Register	0F 21 [11 eee reg]									9	9			
Register to TR3-5	0F 26 [11 eee reg]									16	16			
TR3-5 to Register	0F 24 [11 eee reg]									8	8			
Register to TR6-TR7	0F 26 [11 eee reg]									11	11			
TR6-TR7 to Register	0F 24 [11 eee reg]									3	3			
MOVS Move String	A [010w]	-	-	-	-	-	-	-	-	6	6	b	h	
MOVSB Move with Sign Extension														
Register from Register/Memory	0F B [111w] [mod reg r/m]	-	-	-	-	-	-	-	-	1	1	b	h	
MOVZX Move with Zero Extension														
Register from Register/Memory	0F B [011w] [mod reg r/m]	-	-	-	-	-	-	-	-	1	1	b	h	
MUL Unsigned Multiply														
Accumulator with Register/Memory Multiplier:	F [011w] [mod 100 r/m]	x	-	-	-	x	x	u	u	x	4	4	b	h
Byte										5	5			
Word										15	15			

Instruction Set (Continued)

Table 9-27. Processor Core Instruction Set Summary (Continued)

Instruction	Opcode	Flags	Real Mode	Prot'd Mode	Real Mode	Prot'd Mode								
		O F	D F	I F	T F	S F	Z F	A F	P F	C F	Clock Count (Reg/Cache Hit)	Notes		
NEG <i>Negate Integer</i>	F [011w] [mod 011 r/m]	x	-	-	-	x	x	x	x	x	1	1	b	h
NOP <i>No Operation</i>	90	-	-	-	-	-	-	-	-	-	1	1		
NOT <i>Boolean Complement</i>	F [011w] [mod 010 r/m]	-	-	-	-	-	-	-	-	-	1	1	b	h
OIO <i>Official Invalid Opcode</i>	0F FF	-	-	x	0	-	-	-	-	-	1	8-125		
OR <i>Boolean OR</i>														
Register to Register	0 [10dw] [11 reg r/m]	0	-	-	-	x	x	u	x	0	1	1	b	h
Register to Memory	0 [100w] [mod reg r/m]										1	1		
Memory to Register	0 [101w] [mod reg r/m]										1	1		
Immediate to Register/Memory	8 [00sw] [mod 001 r/m] ###										1	1		
Immediate to Accumulator	0 [110w] ###										1	1		
OUT <i>Output to Port</i>														
Fixed Port	E [011w] #	-	-	-	-	-	-	-	-	-	14	14/28		m
Variable Port	E [111w]										14	14/28		
OUTS <i>Output String</i>	6 [111w]	-	-	-	-	-	-	-	-	-	15	15/29	b	h,m
POP <i>Pop Value off Stack</i>														
Register/Memory	8F [mod 000 r/m]	-	-	-	-	-	-	-	-	-	1/4	1/4	b	h,i,j
Register (short form)	5 [1 reg]										1	1		
Segment Register (ES, SS, DS)	[000 sreg2 111]										1	6		
Segment Register (FS, GS)	0F [10 sreg3 001]										1	6		
POPA <i>Pop All General Registers</i>	61	-	-	-	-	-	-	-	-	-	9	9	b	h
POPF <i>Pop Stack into FLAGS</i>	9D	x	x	x	x	x	x	x	x	x	8	8	b	h,n
PREFIX BYTES														
Assert Hardware LOCK Prefix	F0	-	-	-	-	-	-	-	-	-				m
Address Size Prefix	67													
Operand Size Prefix	66													
Segment Override Prefix														
-CS	2E													
-DS	3E													
-ES	26													
-FS	64													
-GS	65													
-SS	36													
PUSH <i>Push Value onto Stack</i>														
Register/Memory	FF [mod 110 r/m]	-	-	-	-	-	-	-	-	-	1/3	1/3	b	h
Register (short form)	5 [0 reg]										1	1		
Segment Register (ES, CS, SS, DS)	[000 sreg2 110]										1	1		
Segment Register (FS, GS)	0F [10 sreg3 000]										1	1		
Immediate	6 [10s0] ###										1	1		
PUSHA <i>Push All General Registers</i>	60	-	-	-	-	-	-	-	-	-	11	11	b	h
PUSHF <i>Push FLAGS Register</i>	9C	-	-	-	-	-	-	-	-	-	2	2	b	h
RCL <i>Rotate Through Carry Left</i>														
Register/Memory by 1	D [000w] [mod 010 r/m]	x	-	-	-	-	-	-	-	-	3	3	b	h
Register/Memory by CL	D [001w] [mod 010 r/m]	u	-	-	-	-	-	-	-	-	8	8		
Register/Memory by Immediate	C [000w] [mod 010 r/m] #	u	-	-	-	-	-	-	-	-	8	8		
RCR <i>Rotate Through Carry Right</i>														
Register/Memory by 1	D [000w] [mod 011 r/m]	x	-	-	-	-	-	-	-	-	4	4	b	h
Register/Memory by CL	D [001w] [mod 011 r/m]	u	-	-	-	-	-	-	-	-	8	8		
Register/Memory by Immediate	C [000w] [mod 011 r/m] #	u	-	-	-	-	-	-	-	-	8	8		
RDMSR <i>Read Tmodel Specific Register</i>	0F 32	-	-	-	-	-	-	-	-	-				
RDTSC <i>Read Time Stamp Counter</i>	0F 31	-	-	-	-	-	-	-	-	-				
REP INS <i>Input String</i>	F3 6[110w]	-	-	-	-	-	-	-	-	-	17+4n	17+4n\32+4n	b	h,m
REP LODS <i>Load String</i>	F3 A[110w]	-	-	-	-	-	-	-	-	-	9+2n	9+2n	b	h
REP MOVS <i>Move String</i>	F3 A[010w]	-	-	-	-	-	-	-	-	-	12+2n	12+2n	b	h

Instruction Set (Continued)

Table 9-27. Processor Core Instruction Set Summary (Continued)

Instruction	Opcode	Flags								Real Mode	Prot'd Mode	Real Mode	Prot'd Mode
		O F	D F	I F	T F	S F	Z F	A F	P F	C F	Clock Count (Reg/Cache Hit)	Notes	
REP OUTS <i>Output String</i>	F3 6[111w]	-	-	-	-	-	-	-	-	24+4n	24+4n\ 39+4n	b	h,m
REP STOS <i>Store String</i>	F3 A[101w]	-	-	-	-	-	-	-	-	9+2n	9+2n	b	h
REPE CMPS <i>Compare String</i>													
Find non-match	F3 A[011w]	x	-	-	-	x	x	x	x	11+4n	11+4n	b	h
REPE SCAS <i>Scan String</i>													
Find non-AL/AX/EAX	F3 A[111w]	x	-	-	-	x	x	x	x	9+3n	9+3n	b	h
REPNE CMPS <i>Compare String</i>													
Find match	F2 A[011w]	x	-	-	-	x	x	x	x	11+4n	11+4n	b	h
REPNE SCAS <i>Scan String</i>													
Find AL/AX/EAX	F2 A[111w]	x	-	-	-	x	x	x	x	9+3n	9+3n	b	h
RET <i>Return from Subroutine</i>													
Within Segment	C3	-	-	-	-	-	-	-	-	3	3	b	g,h,j,k,r
Within Segment Adding Immediate to SP	C2 ##									3	3		
Intersegment	CB									10	13		
Intersegment Adding Immediate to SP	CA ##									10	13		
Protected Mode: Different Privilege Level -Intersegment -Intersegment Adding Immediate to SP											35 35		
ROL <i>Rotate Left</i>													
Register/Memory by 1	D[000w] [mod 000 r/m]	x	-	-	-	-	-	-	x	2	2	b	h
Register/Memory by CL	D[001w] [mod 000 r/m]	u	-	-	-	-	-	-	x	2	2		
Register/Memory by Immediate	C[000w] [mod 000 r/m] #	u	-	-	-	-	-	-	x	2	2		
ROR <i>Rotate Right</i>													
Register/Memory by 1	D[000w] [mod 001 r/m]	x	-	-	-	-	-	-	x	2	2	b	h
Register/Memory by CL	D[001w] [mod 001 r/m]	u	-	-	-	-	-	-	x	2	2		
Register/Memory by Immediate	C[000w] [mod 001 r/m] #	u	-	-	-	-	-	-	x	2	2		
RSDC <i>Restore Segment Register and Descriptor</i>	0F 79 [mod sreg3 r/m]	-	-	-	-	-	-	-	-	11	11	s	s
RSLDT <i>Restore LDTR and Descriptor</i>	0F 7B [mod 000 r/m]	-	-	-	-	-	-	-	-	11	11	s	s
RSTS <i>Restore TSR and Descriptor</i>	0F 7D [mod 000 r/m]	-	-	-	-	-	-	-	-	11	11	s	s
RSM <i>Resume from SMM Mode</i>	0F AA	x	x	x	x	x	x	x	x	57	57	s	s
SAHF <i>Store AH in FLAGS</i>	9E	-	-	-	-	x	x	x	x	1	1		
SAL <i>Shift Left Arithmetic</i>													
Register/Memory by 1	D[000w] [mod 100 r/m]	x	-	-	-	x	x	u	x	1	1	b	h
Register/Memory by CL	D[001w] [mod 100 r/m]	u	-	-	-	x	x	u	x	2	2		
Register/Memory by Immediate	C[000w] [mod 100 r/m] #	u	-	-	-	x	x	u	x	1	1		
SAR <i>Shift Right Arithmetic</i>													
Register/Memory by 1	D[000w] [mod 111 r/m]	x	-	-	-	x	x	u	x	2	2	b	h
Register/Memory by CL	D[001w] [mod 111 r/m]	u	-	-	-	x	x	u	x	2	2		
Register/Memory by Immediate	C[000w] [mod 111 r/m] #	u	-	-	-	x	x	u	x	2	2		
SBB <i>Integer Subtract with Borrow</i>													
Register to Register	1[10dw] [11 reg r/m]	x	-	-	-	x	x	x	x	1	1	b	h
Register to Memory	1[100w] [mod reg r/m]									1	1		
Memory to Register	1[101w] [mod reg r/m]									1	1		
Immediate to Register/Memory	8[00sw] [mod 011 r/m] ###									1	1		
Immediate to Accumulator (short form)	1[110w] ###									1	1		
SCAS <i>Scan String</i>													
A [111w]		x	-	-	-	x	x	x	x	2	2	b	h
SETB/SETNAE/SETC <i>Set Byte on Below/Not Above or Equal/Carry</i>													
To Register/Memory	0F 92 [mod 000 r/m]	-	-	-	-	-	-	-	-	1	1		h
SETBE/SETNA <i>Set Byte on Below or Equal/Not Above</i>													
To Register/Memory	0F 96 [mod 000 r/m]	-	-	-	-	-	-	-	-	1	1		h
SETE/SETZ <i>Set Byte on Equal/Zero</i>													
To Register/Memory	0F 94 [mod 000 r/m]	-	-	-	-	-	-	-	-	1	1		h

Instruction Set (Continued)

Table 9-27. Processor Core Instruction Set Summary (Continued)

Instruction	Opcode	Flags								Real Mode	Prot'd Mode	Real Mode	Prot'd Mode	
		O	D	I	T	S	Z	A	P	C	Clock Count (Reg/Cache Hit)	Notes		
		F	F	F	F	F	F	F	F					
SETL/SETNGE Set Byte on Less/Not Greater or Equal														
To Register/Memory	0F 9C [mod 000 r/m]	-	-	-	-	-	-	-	-	1	1		h	
SETLE/SETNG Set Byte on Less or Equal/Not Greater														
To Register/Memory	0F 9E [mod 000 r/m]	-	-	-	-	-	-	-	-	1	1		h	
SETNB/SETAE/SETNC Set Byte on Not Below/Above or Equal/Not Carry														
To Register/Memory	0F 93 [mod 000 r/m]	-	-	-	-	-	-	-	-	1	1		h	
SETNBE/SETA Set Byte on Not Below or Equal/Above														
To Register/Memory	0F 97 [mod 000 r/m]	-	-	-	-	-	-	-	-	1	1		h	
SETNE/SETNZ Set Byte on Not Equal/Not Zero														
To Register/Memory	0F 95 [mod 000 r/m]	-	-	-	-	-	-	-	-	1	1		h	
SETNL/SETGE Set Byte on Not Less/Greater or Equal														
To Register/Memory	0F 9D [mod 000 r/m]	-	-	-	-	-	-	-	-	1	1		h	
SETNLE/SETG Set Byte on Not Less or Equal/Greater														
To Register/Memory	0F 9F [mod 000 r/m]	-	-	-	-	-	-	-	-	1	1		h	
SETNO Set Byte on Not Overflow														
To Register/Memory	0F 91 [mod 000 r/m]	-	-	-	-	-	-	-	-	1	1		h	
SETNP/SETPO Set Byte on Not Parity/Parity Odd														
To Register/Memory	0F 9B [mod 000 r/m]	-	-	-	-	-	-	-	-	1	1		h	
SETNS Set Byte on Not Sign														
To Register/Memory	0F 99 [mod 000 r/m]	-	-	-	-	-	-	-	-	1	1		h	
SETO Set Byte on Overflow														
To Register/Memory	0F 90 [mod 000 r/m]	-	-	-	-	-	-	-	-	1	1		h	
SETP/SETPE Set Byte on Parity/Parity Even														
To Register/Memory	0F 9A [mod 000 r/m]	-	-	-	-	-	-	-	-	1	1		h	
SETS Set Byte on Sign														
To Register/Memory	0F 98 [mod 000 r/m]	-	-	-	-	-	-	-	-	1	1		h	
SGDT Store GDT Register														
To Register/Memory	0F 01 [mod 000 r/m]	-	-	-	-	-	-	-	-	6	6	b,c	h	
SIDT Store IDT Register														
To Register/Memory	0F 01 [mod 001 r/m]	-	-	-	-	-	-	-	-	6	6	b,c	h	
SLDT Store LDT Register														
To Register/Memory	0F 00 [mod 000 r/m]	-	-	-	-	-	-	-	-		1	a	h	
STR Store Task Register														
To Register/Memory	0F 00 [mod 001 r/m]	-	-	-	-	-	-	-	-		3	a	h	
SMSW Store Machine Status Word														
To Register/Memory	0F 01 [mod 100 r/m]	-	-	-	-	-	-	-	-	4	4	b,c	h	
STOS Store String														
To Register/Memory	A [101w]	-	-	-	-	-	-	-	-	2	2	b	h	
SHL Shift Left Logical														
Register/Memory by 1	D [000w] [mod 100 r/m]	x	-	-	-	x	x	u	x	x	1	1	b	h
Register/Memory by CL	D [001w] [mod 100 r/m]	u	-	-	-	x	x	u	x	x	2	2		
Register/Memory by Immediate	C [000w] [mod 100 r/m] #	u	-	-	-	x	x	u	x	x	1	1		
SHLD Shift Left Double														
Register/Memory by Immediate	0F A4 [mod reg r/m] #	u	-	-	-	x	x	u	x	x	3	3	b	h
Register/Memory by CL	0F A5 [mod reg r/m]										6	6		
SHR Shift Right Logical														
Register/Memory by 1	D [000w] [mod 101 r/m]	x	-	-	-	x	x	u	x	x	2	2	b	h
Register/Memory by CL	D [001w] [mod 101 r/m]	u	-	-	-	x	x	u	x	x	2	2		
Register/Memory by Immediate	C [000w] [mod 101 r/m] #	u	-	-	-	x	x	u	x	x	2	2		
SHRD Shift Right Double														
Register/Memory by Immediate	0F AC [mod reg r/m] #	u	-	-	-	x	x	u	x	x	3	3	b	h
Register/Memory by CL	0F AD [mod reg r/m]										6	6		
SMINT Software SMM Entry														
To Register/Memory	0F 38	-	-	-	-	-	-	-	-	84	84	s	s	

Instruction Set (Continued)

Table 9-27. Processor Core Instruction Set Summary (Continued)

Instruction	Opcode	Flags	Real Mode	Prot'd Mode	Real Mode	Prot'd Mode								
		O F	D F	I F	T F	S F	Z F	A F	P F	C F	Clock Count (Reg/Cache Hit)	Notes		
STC Set Carry Flag	F9	-	-	-	-	-	-	-	-	-	1	1		
STD Set Direction Flag	FD	-	1	-	-	-	-	-	-	-	4	4		
STI Set Interrupt Flag	FB	-	-	1	-	-	-	-	-	-	6	6		m
SUB Integer Subtract														
Register to Register	2 [10dw] [11 reg r/m]	x	-	-	-	x	x	x	x	x	1	1	b	h
Register to Memory	2 [100w] [mod reg r/m]										1	1		
Memory to Register	2 [101w] [mod reg r/m]										1	1		
Immediate to Register/Memory	8 [00sw] [mod 101 r/m] ###										1	1		
Immediate to Accumulator (short form)	2 [110w] ###										1	1		
SVDC Save Segment Register and Descriptor	0F 78 [mod sreg3 r/m]	-	-	-	-	-	-	-	-	-	20	20	s	s
SVLDT Save LDTR and Descriptor	0F 7A [mod 000 r/m]	-	-	-	-	-	-	-	-	-	20	20	s	s
SVTS Save TSR and Descriptor	0F 7C [mod 000 r/m]	-	-	-	-	-	-	-	-	-	21	21	s	s
TEST Test Bits														
Register/Memory and Register	8 [010w] [mod reg r/m]	0	-	-	-	x	x	u	x	0	1	1	b	h
Immediate Data and Register/Memory	F [011w] [mod 000 r/m] ###										1	1		
Immediate Data and Accumulator	A [100w] ###										1	1		
VERR Verify Read Access														
To Register/Memory	0F 00 [mod 100 r/m]	-	-	-	-	-	x	-	-	-		8	a	g,h,j,p
VERW Verify Write Access														
To Register/Memory	0F 00 [mod 101 r/m]	-	-	-	-	-	x	-	-	-		8	a	g,h,j,p
WAIT Wait Until FPU Not Busy	9B	-	-	-	-	-	-	-	-	-	1	1		
WBINVD Write-Back and Invalidate Cache	0F 09	-	-	-	-	-	-	-	-	-	23	23	t	t
WRMSR Write to Model Specific Register	0F 30	-	-	-	-	-	-	-	-	-				
XADD Exchange and Add														
Register1, Register2	0F C[000w] [11 reg2 reg1]	x	-	-	-	x	x	x	x	x	2	2		
Memory, Register	0F C[000w] [mod reg r/m]										2	2		
XCHG Exchange														
Register/Memory with Register	8[011w] [mod reg r/m]	-	-	-	-	-	-	-	-	-	2	2	b,f	f,h
Register with Accumulator	9[0 reg]										2	2		
XLAT Translate Byte	D7	-	-	-	-	-	-	-	-	-	5	5		h
XOR Boolean Exclusive OR														
Register to Register	3 [00dw] [11 reg r/m]	0	-	-	-	x	x	u	x	0	1	1	b	h
Register to Memory	3 [000w] [mod reg r/m]										1	1		
Memory to Register	3 [001w] [mod reg r/m]										1	1		
Immediate to Register/Memory	8 [00sw] [mod 110 r/m] ###										1	1		
Immediate to Accumulator (short form)	3 [010w] ###										1	1		

Instruction Set (Continued)

Instruction Notes for Instruction Set Summary

Notes a through c apply to Real Address Mode only:

- a. This is a Protected Mode instruction. Attempted execution in Real Mode will result in exception 6 (invalid opcode).
- b. Exception 13 fault (general protection) will occur in Real Mode if an operand reference is made that partially or fully extends beyond the maximum CS, DS, ES, FS, or GS segment limit (FFFFH). Exception 12 fault (stack segment limit violation or not present) will occur in Real Mode if an operand reference is made that partially or fully extends beyond the maximum SS limit.
- c. This instruction may be executed in Real Mode. In Real Mode, its purpose is primarily to initialize the CPU for Protected Mode.
- d. -

Notes e through g apply to Real Address Mode and Protected Virtual Address Mode:

- e. An exception may occur, depending on the value of the operand.
- f. LOCK# is automatically asserted, regardless of the presence or absence of the LOCK prefix.
- g. LOCK# is asserted during descriptor table accesses.

Notes h through r apply to Protected Virtual Address Mode only:

- h. Exception 13 fault will occur if the memory operand in CS, DS, ES, FS, or GS cannot be used due to either a segment limit violation or an access rights violation. If a stack limit is violated, an exception 12 occurs.
- i. For segment load operations, the CPL, RPL, and DPL must agree with the privilege rules to avoid an exception 13 fault. The segment's descriptor must indicate "present" or exception 11 (CS, DS, ES, FS, GS not present). If the SS register is loaded and a stack segment not present is detected, an exception 12 occurs.
- j. All segment descriptor accesses in the GDT or LDT made by this instruction will automatically assert LOCK# to maintain descriptor integrity in multiprocessor systems.

- k. JMP, CALL, INT, RET, and IRET instructions referring to another code segment will cause an exception 13, if an applicable privilege rule is violated.
- l. An exception 13 fault occurs if CPL is greater than 0 (0 is the most privileged level).
- m. An exception 13 fault occurs if CPL is greater than IOPL.
- n. The IF bit of the flag register is not updated if CPL is greater than IOPL. The IOPL and VM fields of the flag register are updated only if CPL = 0.
- o. The PE bit of the MSW (CR0) cannot be reset by this instruction. Use MOV into CRO if desiring to reset the PE bit.
- p. Any violation of privilege rules as apply to the selector operand does not cause a Protection exception, rather, the zero flag is cleared.
- q. If the coprocessor's memory operand violates a segment limit or segment access rights, an exception 13 fault will occur before the ESC instruction is executed. An exception 12 fault will occur if the stack limit is violated by the operand's starting address.
- r. The destination of a JMP, CALL, INT, RET, or IRET must be in the defined limit of a code segment or an exception 13 fault will occur.

Note s applies to National Semiconductor-specific SMM instructions:

- s. All memory accesses to SMM space are non-cacheable. An invalid opcode exception 6 occurs unless SMI is enabled and SMAR size > 0, and CPL = 0 and [SMAC is set or if in an SMI handler].

Note t applies to cache invalidation instruction with the cache operating in write-back mode:

- t. The total clock count is the clock count shown plus the number of clocks required to write all "modified" cache lines to external memory.

Instruction Set (Continued)

9.4 FPU INSTRUCTION SET

The processor core is functionally divided into the FPU, and the integer unit. The FPU processes floating point instructions only and does so in parallel with the integer unit.

For example, when the integer unit detects a floating point instruction without memory operands, after two clock cycles the instruction passes to the FPU for execution. The integer unit continues to execute instructions while the FPU executes the floating point instruction. If another FPU instruction is encountered, the second FPU instruction is placed in the FPU queue. Up to four FPU instructions can be queued. In the event of an FPU exception, while other FPU instructions are queued, the state of the CPU is saved to ensure recovery.

The instruction set for the FPU is summarized in Table 9-29 on page 225. The table uses abbreviations that are described in Table 9-28.

Table 9-28. FPU Instruction Set Table Legend

Abbr.	Description
n	Stack register number
TOS	Top of stack register pointed to by SSS in the status register.
ST(1)	FPU register next to TOS
ST(n)	A specific FPU register, relative to TOS
M.WI	16-bit integer operand from memory
M.SI	32-bit integer operand from memory
M.LI	64-bit integer operand from memory
M.SR	32-bit real operand from memory
M.DR	64-bit real operand from memory
M.XR	80-bit real operand from memory
M.BCD	18-digit BCD integer operand from memory
CC	FPU condition code
Env Regs	Status, Mode Control and Tag Registers, Instruction Pointer and Operand Pointer

Instruction Set (Continued)

Table 9-29. FPU Instruction Set Summary

FPU Instruction	Opcode	Operation	Clock Count	Notes
F2XM1 Function Evaluation 2^{X-1}	D9 F0	TOS $\leftarrow 2^{\text{TOS}_1}$	92 - 108	2
FABS Floating Absolute Value	D9 E1	TOS $\leftarrow \text{TOS} $	2	2
FADD Floating Point Add				
Top of Stack	DC [1100 0 n]	ST(n) $\leftarrow \text{ST}(n) + \text{TOS}$	4 - 9	
80-bit Register	D8 [1100 0 n]	TOS $\leftarrow \text{TOS} + \text{ST}(n)$	4 - 9	
64-bit Real	DC [mod 000 r/m]	TOS $\leftarrow \text{TOS} + \text{M.DR}$	4 - 9	
32-bit Real	D8 [mod 000 r/m]	TOS $\leftarrow \text{TOS} + \text{M.SR}$	4 - 9	
FADDP Floating Point Add, Pop	DE [1100 0 n]	ST(n) $\leftarrow \text{ST}(n) + \text{TOS}$; then pop TOS		
FIADD Floating Point Integer Add				
32-bit integer	DA [mod 000 r/m]	TOS $\leftarrow \text{TOS} + \text{M.SI}$	8 - 14	
16-bit integer	DE [mod 000 r/m]	TOS $\leftarrow \text{TOS} + \text{M.WI}$	8 - 14	
FNCHS Floating Change Sign	D9 E0	TOS $\leftarrow - \text{TOS}$	2	
FNLEX Clear Exceptions	(9B) DB E2	Wait then Clear Exceptions	5	
FNCLEX Clear Exceptions	DB E2	Clear Exceptions	3	
FCMOVB Floating Point Conditional Move if Below	DA [1100 0 n]	If (CF=1) ST(0) $\leftarrow \text{ST}(n)$	4	
FCMOVE Floating Point Conditional Move if Equal	DA [1100 1 n]	If (ZF=1) ST(0) $\leftarrow \text{ST}(n)$	4	
FCMOVBE Floating Point Conditional Move if Below or Equal	DA [1101 0 n]	If (CF=1 or ZF=1) ST(0) $\leftarrow \text{ST}(n)$	4	
FCMOVU Floating Point Conditional Move if Unordered	DA [1101 1 n]	If (PF=1) ST(0) $\leftarrow \text{ST}(n)$	4	
FCMOVNB Floating Point Conditional Move if Not Below	DB [1100 0 n]	If (CF=0) ST(0) $\leftarrow \text{ST}(n)$	4	
FCMOVNE Floating Point Conditional Move if Not Equal	DB [1100 1 n]	If (ZF=0) ST(0) $\leftarrow \text{ST}(n)$	4	
FCMOVNBE Floating Point Conditional Move if Not Below or Equal	DB [1101 0 n]	If (CF=0 and ZF=0) ST(0) $\leftarrow \text{ST}(n)$	4	
FCMOVNU Floating Point Conditional Move if Not Unordered	DB [1101 1 n]	If (DF=0) ST(0) $\leftarrow \text{ST}(n)$	4	
FCOM Floating Point Compare				
80-bit Register	D8 [1101 0 n]	CC set by TOS - ST(n)	4	
64-bit Real	DC [mod 010 r/m]	CC set by TOS - M.DR	4	
32-bit Real	D8 [mod 010 r/m]	CC set by TOS - M.SR	4	
FCOMP Floating Point Compare, Pop				
80-bit Register	D8 [1101 1 n]	CC set by TOS - ST(n); then pop TOS	4	
64-bit Real	DC [mod 011 r/m]	CC set by TOS - M.DR; then pop TOS	4	
32-bit Real	D8 [mod 011 r/m]	CC set by TOS - M.SR; then pop TOS	4	
FCOMPP Floating Point Compare, Pop Two Stack Elements	DE D9	CC set by TOS - ST(1); then pop TOS and ST(1)	4	
FCOMI Floating Point Compare Real and Set EFLAGS				
80-bit Register	DB [1111 0 n]	EFLAG set by TOS - ST(n)	4	
FCOMIP Floating Point Compare Real and Set EFLAGS, Pop				
80-bit Register	DF [1111 0 n]	EFLAG set by TOS - ST(n); then pop TOS	4	
FUCOMI Floating Point Unordered Compare Real and Set EFLAGS				
80-bit Integer	DB [1110 1 n]	EFLAG set by TOS - ST(n)	9 - 10	
FUCOMIP Floating Point Unordered Compare Real and Set EFLAGS, Pop				
80-bit Integer	DF [1110 1 n]	EFLAG set by TOS - ST(n); then pop TOS	9 - 10	
FICOM Floating Point Integer Compare				
32-bit integer	DA [mod 010 r/m]	CC set by TOS - M.WI	9 - 10	
16-bit integer	DE [mod 010 r/m]	CC set by TOS - M.SI	9 - 10	
FICOMP Floating Point Integer Compare, Pop				
32-bit integer	DA [mod 011 r/m]	CC set by TOS - M.WI; then pop TOS	9 - 10	
16-bit integer	DE [mod 011 r/m]	CC set by TOS - M.SI; then pop TOS	9 - 10	

Instruction Set (Continued)

Table 9-29. FPU Instruction Set Summary (Continued)

FPU Instruction	Opcode	Operation	Clock Count	Notes
FCOS <i>Function Evaluation: Cos(x)</i>	D9 FF	TOS <--- COS(TOS)	92 - 141	1
FDECSTP <i>Decrement Stack pointer</i>	D9 F6	Decrement top of stack pointer	4	
FDIV <i>Floating Point Divide</i>				
Top of Stack	DC [1111 1 n]	ST(n) <--- ST(n) / TOS	24 - 34	
80-bit Register	D8 [1111 0 n]	TOS <--- TOS / ST(n)	24 - 34	
64-bit Real	DC [mod 110 r/m]	TOS <--- TOS / M.DR	24 - 34	
32-bit Real	D8 [mod 110 r/m]	TOS <--- TOS / M.SR	24 - 34	
FDIVP <i>Floating Point Divide, Pop</i>	DE [1111 1 n]	ST(n) <--- ST(n) / TOS; then pop TOS	24 - 34	
FDIVR <i>Floating Point Divide Reversed</i>				
Top of Stack	DC [1111 0 n]	TOS <--- ST(n) / TOS	24 - 34	
80-bit Register	D8 [1111 1 n]	ST(n) <--- TOS / ST(n)	24 - 34	
64-bit Real	DC [mod 111 r/m]	TOS <--- M.DR / TOS	24 - 34	
32-bit Real	D8 [mod 111 r/m]	TOS <--- M.SR / TOS	24 - 34	
FDIVRP <i>Floating Point Divide Reversed, Pop</i>	DE [1111 0 n]	ST(n) <--- TOS / ST(n); then pop TOS	24 - 34	
FIDIV <i>Floating Point Integer Divide</i>				
32-bit Integer	DA [mod 110 r/m]	TOS <--- TOS / M.SI	34 - 38	
16-bit Integer	DE [mod 110 r/m]	TOS <--- TOS / M.WI	34 - 38	
FIDIVR <i>Floating Point Integer Divide Reversed</i>				
32-bit Integer	DA [mod 111 r/m]	TOS <--- M.SI / TOS	34 - 38	
16-bit Integer	DE [mod 111 r/m]	TOS <--- M.WI / TOS	34 - 38	
FFREE <i>Free Floating Point Register</i>	DD [1100 0 n]	TAG(n) <--- Empty	4	
FINCSTP <i>Increment Stack Pointer</i>	D9 F7	Increment top-of-stack pointer	2	
FINIT <i>Initialize FPU</i>	(9B)DB E3	Wait, then initialize	8	
FNINIT <i>Initialize FPU</i>	DB E3	Initialize	6	
FLD <i>Load Data to FPU Register</i>				
Top of Stack	D9 [1100 0 n]	Push ST(n) onto stack	2	
64-bit Real	DD [mod 000 r/m]	Push M.DR onto stack	2	
32-bit Real	D9 [mod 000 r/m]	Push M.SR onto stack	2	
FBLD <i>Load Packed BCD Data to FPU Register</i>	DF [mod 100 r/m]	Push M.BCD onto stack	41 - 45	
FILD <i>Load Integer Data to FPU Register</i>				
64-bit Integer	DF [mod 101 r/m]	Push M.LI onto stack	4 - 8	
32-bit Integer	DB [mod 000 r/m]	Push M.SI onto stack	4 - 6	
16-bit Integer	DF [mod 000 r/m]	Push M.WI onto stack	3 - 6	
FLD1 <i>Load Floating Const.= 1.0</i>	D9 E8	Push 1.0 onto stack	4	
FLDCW <i>Load FPU Mode Control Register</i>	D9 [mod 101 r/m]	Ctl Word <--- Memory	4	
FLDENV <i>Load FPU Environment</i>	D9 [mod 100 r/m]	Env Regs <--- Memory	30	
FLDL2E <i>Load Floating Const.= Log₂(e)</i>	D9 EA	Push Log ₂ (e) onto stack	4	
FLDL2T <i>Load Floating Const.= Log₂(10)</i>	D9 E9	Push Log ₂ (10) onto stack	4	
FLDLG2 <i>Load Floating Const.= Log₁₀(2)</i>	D9 EC	Push Log ₁₀ (2) onto stack	4	
FLDLN2 <i>Load Floating Const.= Ln(2)</i>	D9 ED	Push Log _e (2) onto stack	4	
FLDPI <i>Load Floating Const.= π</i>	D9 EB	Push π onto stack	4	
FLDZ <i>Load Floating Const.= 0.0</i>	D9 EE	Push 0.0 onto stack	4	
FMUL <i>Floating Point Multiply</i>				
Top of Stack	DC [1100 1 n]	ST(n) <--- ST(n) × TOS	4 - 9	
80-bit Register	D8 [1100 1 n]	TOS <--- TOS × ST(n)	4 - 9	
64-bit Real	DC [mod 001 r/m]	TOS <--- TOS × M.DR	4 - 8	
32-bit Real	D8 [mod 001 r/m]	TOS <--- TOS × M.SR	4 - 6	
FMULP <i>Floating Point Multiply & Pop</i>	DE [1100 1 n]	ST(n) <--- ST(n) × TOS; then pop TOS	4 - 9	
FIMUL <i>Floating Point Integer Multiply</i>				
32-bit Integer	DA [mod 001 r/m]	TOS <--- TOS × M.SI	9 - 11	
16-bit Integer	DE [mod 001 r/m]	TOS <--- TOS × M.WI	8 - 10	

Instruction Set (Continued)

Table 9-29. FPU Instruction Set Summary (Continued)

FPU Instruction	Opcode	Operation	Clock Count	Notes
FNOP <i>No Operation</i>	D9 D0	No Operation	2	
FPATAN <i>Function Eval: $Tan^{-1}(y/x)$</i>	D9 F3	ST(1) <--- ATAN[ST(1) / TOS]; then pop TOS	97 - 161	3
FPREM <i>Floating Point Remainder</i>	D9 F8	TOS <--- Rem[TOS / ST(1)]	82 - 91	
FPREM1 <i>Floating Point Remainder IEEE</i>	D9 F5	TOS <--- Rem[TOS / ST(1)]	82 - 91	
FPTAN <i>Function Eval: $Tan(x)$</i>	D9 F2	TOS <--- TAN(TOS); then push 1.0 onto stack	117 - 129	1
FRNDINT <i>Round to Integer</i>	D9 FC	TOS <--- Round(TOS)	10 - 20	
FRSTOR <i>Load FPU Environment and Register</i>	DD [mod 100 r/m]	Restore state	56 - 72	
FSAVE <i>Save FPU Environment and Register</i>	(9B)DD [mod 110 r/m]	Wait, then save state	57 - 67	
FNSAVE <i>Save FPU Environment and Register</i>	DD [mod 110 r/m]	Save state	55 - 65	
FSCALE <i>Floating Multiply by 2^n</i>	D9 FD	TOS <--- TOS $\times 2^{(ST(1))}$	7 - 14	
FSIN <i>Function Evaluation: $Sin(x)$</i>	D9 FE	TOS <--- SIN(TOS)	76 - 140	1
FSINCOS <i>Function Eval.: $Sin(x)$ & $Cos(x)$</i>	D9 FB	temp <--- TOS; TOS <--- SIN(temp); then push COS(temp) onto stack	145 - 161	1
FSQRT <i>Floating Point Square Root</i>	D9 FA	TOS <--- Square Root of TOS	59 - 60	
FST <i>Store FPU Register</i>				
Top of Stack	DD [1101 0 n]	ST(n) <--- TOS	2	
64-bit Real	DD [mod 010 r/m]	M.DR <--- TOS	2	
32-bit Real	D9 [mod 010 r/m]	M.SR <--- TOS	2	
FSTP <i>Store FPU Register, Pop</i>				
Top of Stack	DB [1101 1 n]	ST(n) <--- TOS; then pop TOS	2	
80-bit Real	DB [mod 111 r/m]	M.XR <--- TOS; then pop TOS	2	
64-bit Real	DD [mod 011 r/m]	M.DR <--- TOS; then pop TOS	2	
32-bit Real	D9 [mod 011 r/m]	M.SR <--- TOS; then pop TOS	2	
FBSTP <i>Store BCD Data, Pop</i>	DF [mod 110 r/m]	M.BCD <--- TOS; then pop TOS	57 - 63	
FIST <i>Store Integer FPU Register</i>				
32-bit Integer	DB [mod 010 r/m]	M.SI <--- TOS	8 - 13	
16-bit Integer	DF [mod 010 r/m]	M.WI <--- TOS	7 - 10	
FISTP <i>Store Integer FPU Register, Pop</i>				
64-bit Integer	DF [mod 111 r/m]	M.LI <--- TOS; then pop TOS	10 - 13	
32-bit Integer	DB [mod 011 r/m]	M.SI <--- TOS; then pop TOS	8 - 13	
16-bit Integer	DF [mod 011 r/m]	M.WI <--- TOS; then pop TOS	7 - 10	
FSTCW <i>Store FPU Mode Control Register</i>	(9B)D9 [mod 111 r/m]	Wait Memory <--- Control Mode Register	5	
FNSTCW <i>Store FPU Mode Control Register</i>	D9 [mod 111 r/m]	Memory <--- Control Mode Register	3	
FSTENV <i>Store FPU Environment</i>	(9B)D9 [mod 110 r/m]	Wait Memory <--- Env. Registers	14 - 24	
FNSTENV <i>Store FPU Environment</i>	D9 [mod 110 r/m]	Memory <--- Env. Registers	12 - 22	
FSTSW <i>Store FPU Status Register</i>	(9B)DD [mod 111 r/m]	Wait Memory <--- Status Register	6	
FNSTSW <i>Store FPU Status Register</i>	DD [mod 111 r/m]	Memory <--- Status Register	4	
FSTSW AX <i>Store FPU Status Register to AX</i>	(9B)DF E0	Wait AX <--- Status Register	4	
FNSTSW AX <i>Store FPU Status Register to AX</i>	DF E0	AX <--- Status Register	2	
FSUB <i>Floating Point Subtract</i>				
Top of Stack	DC [1110 1 n]	ST(n) <--- ST(n) - TOS	4 - 9	
80-bit Register	D8 [1110 0 n]	TOS <--- TOS - ST(n)	4 - 9	
64-bit Real	DC [mod 100 r/m]	TOS <--- TOS - M.DR	4 - 9	
32-bit Real	D8 [mod 100 r/m]	TOS <--- TOS - M.SR	4 - 9	
FSUBP <i>Floating Point Subtract, Pop</i>	DE [1110 1 n]	ST(n) <--- ST(n) - TOS; then pop TOS	4 - 9	
FSUBR <i>Floating Point Subtract Reverse</i>				
Top of Stack	DC [1110 0 n]	TOS <--- ST(n) - TOS	4 - 9	
80-bit Register	D8 [1110 1 n]	ST(n) <--- TOS - ST(n)	4 - 9	
64-bit Real	DC [mod 101 r/m]	TOS <--- M.DR - TOS	4 - 9	
32-bit Real	D8 [mod 101 r/m]	TOS <--- M.SR - TOS	4 - 9	
FSUBRP <i>Floating Point Subtract Reverse, Pop</i>	DE [1110 0 n]	ST(n) <--- TOS - ST(n); then pop TOS	4 - 9	

Instruction Set (Continued)

Table 9-29. FPU Instruction Set Summary (Continued)

FPU Instruction	Opcode	Operation	Clock Count	Notes
FISUB Floating Point Integer Subtract				
32-bit Integer	DA [mod 100 r/m]	TOS <--- TOS - M.SI	14 - 29	
16-bit Integer	DE [mod 100 r/m]	TOS <--- TOS - M.WI	14 - 27	
FISUBR Floating Point Integer Subtract Reverse				
32-bit Integer Reversed	DA [mod 101 r/m]	TOS <--- M.SI - TOS	14 - 29	
16-bit Integer Reversed	DE [mod 101 r/m]	TOS <--- M.WI - TOS	14 - 27	
FTST Test Top of Stack	D9 E4	CC set by TOS - 0.0	4	
FUCOM Unordered Compare	DD [1110 0 n]	CC set by TOS - ST(n)	4	
FUCOMP Unordered Compare, Pop	DD [1110 1 n]	CC set by TOS - ST(n); then pop TOS	4	
FUCOMPP Unordered Compare, Pop two elements	DA E9	CC set by TOS - ST(I); then pop TOS and ST(1)	4	
FWAIT Wait	9B	Wait for FPU not busy	2	
FXAM Report Class of Operand	D9 E5	CC <--- Class of TOS	4	
FXCH Exchange Register with TOS	D9 [1100 1 n]	TOS <--> ST(n) Exchange	3	
FXTRACT Extract Exponent	D9 F4	temp <--- TOS; TOS <--- exponent (temp); then push significant (temp) onto stack	11 - 16	
FLY2X Function Eval. $y \times \text{Log}_2(x)$	D9 F1	ST(1) <--- ST(1) $\times \text{Log}_2(\text{TOS})$; then pop TOS	145 - 154	
FLY2XP1 Function Eval. $y \times \text{Log}_2(x+1)$	D9 F9	ST(1) <--- ST(1) $\times \text{Log}_2(1+\text{TOS})$; then pop TOS	131 - 133	4

FPU Instruction Summary Notes

All references to TOS and ST(n) refer to stack layout prior to execution.

Values popped off the stack are discarded.

A pop from the stack increments the top of stack pointer.

A push to the stack decrements the top of stack pointer.

Notes:

- For FCOS, FSIN, FSINCOS and FPTAN, time shown is for absolute value of TOS < $3\pi/4$. Add 90 clock counts for argument reduction if outside this range.

For FCOS, clock count is 141 if TOS < $\pi/4$ and clock count is 92 if $\pi/4 < \text{TOS} < \pi/2$.

For FSIN, clock count is 81 to 82 if absolute value of TOS < $\pi/4$.

- For F2XM1, clock count is 92 if absolute value of TOS < 0.5.
- For FPATAN, clock count is 97 if ST(1)/TOS < $\pi/32$.
- For FYL2XP1, clock count is 170 if TOS is out of range and regular FYL2X is called.
- The following opcodes are reserved:
D9D7, D9E2, D9E7, DDFC, DED8, DEDA, DEDC, DEDD, DEDE, DFFC.

If a reserved opcode is executed, and unpredictable results may occur (exceptions are not generated).

Instruction Set (Continued)

9.5 MMX INSTRUCTION SET

The CPU is functionally divided into the FPU unit, and the integer unit. The FPU has been extended to process both MMX instructions and floating point instructions in parallel with the integer unit. Revision 3.1

For example, when the integer unit detects a MMX instruction, the instruction passes to the FPU unit for execution. The integer unit continues to execute instructions while the FPU unit executes the MMX instruction. If another MMX instruction is encountered, the second MMX instruction is placed in the MMX queue. Up to four MMX instructions can be queued.

The MMX instruction set is summarized in Table 9-31 on page 230. The abbreviations used in the table are listed in Table 9-30.

Table 9-30. MMX Instruction Set Table Legend

Abbreviation	Description
<---	Result written
[11 mm reg]	Binary or binary groups of digits
mm	One of eight 64-bit MMX registers
reg	A general purpose register
<--sat--	If required, the resultant data is saturated to remain in the associated data range
<--move--	Source data is moved to result location
[byte]	Eight 8-bit bytes are processed in parallel
[word]	Four 16-bit word are processed in parallel
[dword]	Two 32-bit double words are processed in parallel
[qword]	One 64-bit quad word is processed
[sign xxx]	The byte, word, double word or quad word most significant bit is a sign bit
mm1, mm2	MMX Register 1, MMX Register 2
mod r/m	Mod and r/m byte encoding (page 6-6 of this manual)
pack	Source data is truncated or saturated to next smaller data size, then concatenated.
packdw	Pack two double words from source and two double words from destination into four words in destination register.
packwb	Pack four words from source and four words from destination into eight bytes in destination register.

Instruction Set (continued)

Table 9-31. MMX Instruction Set Summary

MMX Instructions	Opcode	Operation and Clock Count (Latency/Throughput)	
EMMS <i>Empty MMX State</i>	0F77	Tag Word <--- FFFFh (empties the floating point tag word)	1/1
MOVD <i>Move Doubleword</i>			
Register to MMX Register	0F6E [11 mm reg]	MMX reg [qword] <--move, zero extend-- reg [dword]	1/1
MMX Register to Register	0F7E [11 mm reg]	reg [qword] <--move-- MMX reg [low dword]	5/1
Memory to MMX Register	0F6E [mod mm r/m]	MMX reg[qword] <--move, zero extend-- memory[dword]	1/1
MMX Register to Memory	0F7E [mod mm r/m]	Memory [dword] <--move-- MMX reg [low dword]	1/1
MOVQ <i>Move Quadword</i>			
MMX Register 2 to MMX Register 1	0F6F [11 mm1 mm2]	MMX reg 1 [qword] <--move-- MMX reg 2 [qword]	1/1
MMX Register 1 to MMX Register 2	0F7F [11 mm1 mm2]	MMX reg 2 [qword] <--move-- MMX reg 1 [qword]	1/1
Memory to MMX Register	0F6F [mod mm r/m]	MMX reg [qword] <--move-- memory[qword]	1/1
MMX Register to Memory	0F7F [mod mm r/m]	Memory [qword] <--move-- MMX reg [qword]	1/1
PACKSSDW <i>Pack Dword with Signed Saturation</i>			
MMX Register 2 to MMX Register 1	0F6B [11 mm1 mm2]	MMX reg 1 [qword] <--packdw, signed sat-- MMX reg 2, MMX reg 1	1/1
Memory to MMX Register	0F6B [mod mm r/m]	MMX reg [qword] <--packdw, signed sat-- memory, MMX reg	1/1
PACKSSWB <i>Pack Word with Signed Saturation</i>			
MMX Register 2 to MMX Register 1	0F63 [11 mm1 mm2]	MMX reg 1 [qword] <--packwb, signed sat-- MMX reg 2, MMX reg 1	1/1
Memory to MMX Register	0F63 [mod mm r/m]	MMX reg [qword] <--packwb, signed sat-- memory, MMX reg	1/1
PACKUSWB <i>Pack Word with Unsigned Saturation</i>			
MMX Register 2 to MMX Register 1	0F67 [11 mm1 mm2]	MMX reg 1 [qword] <--packwb, unsigned sat-- MMX reg 2, MMX reg 1	1/1
Memory to MMX Register	0F67 [mod mm r/m]	MMX reg [qword] <--packwb, unsigned sat-- memory, MMX reg	1/1
PADDB <i>Packed Add Byte with Wrap-Around</i>			
MMX Register 2 to MMX Register 1	0FFC [11 mm1 mm2]	MMX reg 1 [byte] <---- MMX reg 1 [byte] + MMX reg 2 [byte]	1/1
Memory to MMX Register	0FFC [mod mm r/m]	MMX reg[byte] <---- memory [byte] + MMX reg [byte]	1/1
PADDD <i>Packed Add Dword with Wrap-Around</i>			
MMX Register 2 to MMX Register 1	0FFE [11 mm1 mm2]	MMX reg 1 [sign dword] <---- MMX reg 1 [sign dword] + MMX reg 2 [sign dword]	1/1
Memory to MMX Register	0FFE [mod mm r/m]	MMX reg [sign dword] <---- memory [sign dword] + MMX reg [sign dword]	1/1
PADDSB <i>Packed Add Signed Byte with Saturation</i>			
MMX Register 2 to MMX Register 1	0FEC [11 mm1 mm2]	MMX reg 1 [sign byte] <--sat-- MMX reg 1 [sign byte] + MMX reg 2 [sign byte]	1/1
Memory to Register	0FEC [mod mm r/m]	MMX reg [sign byte] <--sat-- memory [sign byte] + MMX reg [sign byte]	1/1
PADDSW <i>Packed Add Signed Word with Saturation</i>			
MMX Register 2 to MMX Register 1	0FED [11 mm1 mm2]	MMX reg 1 [sign word] <--sat-- MMX reg 1 [sign word] + MMX reg 2 [sign word]	1/1
Memory to Register	0FED [mod mm r/m]	MMX reg [sign word] <--sat-- memory [sign word] + MMX reg [sign word]	1/1
PADDUSB <i>Add Unsigned Byte with Saturation</i>			
MMX Register 2 to MMX Register 1	0FDC [11 mm1 mm2]	MMX reg 1 [byte] <--sat-- MMX reg 1 [byte] + MMX reg 2 [byte]	1/1
Memory to Register	0FDC [mod mm r/m]	MMX reg [byte] <--sat-- memory [byte] + MMX reg [byte]	1/1
PADDUSW <i>Add Unsigned Word with Saturation</i>			
MMX Register 2 to MMX Register 1	0FDD [11 mm1 mm2]	MMX reg 1 [word] <--sat-- MMX reg 1 [word] + MMX reg 2 [word]	1/1
Memory to Register	0FDD [mod mm r/m]	MMX reg [word] <--sat-- memory [word] + MMX reg [word]	1/1
PADDW <i>Packed Add Word with Wrap-Around</i>			
MMX Register 2 to MMX Register 1	0FFD [11 mm1 mm2]	MMX reg 1 [word] <---- MMX reg 1 [word] + MMX reg 2 [word]	1/1
Memory to MMX Register	0FFD [mod mm r/m]	MMX reg [word] <---- memory [word] + MMX reg [word]	1/1
PAND <i>Bitwise Logical AND</i>			
MMX Register 2 to MMX Register 1	0FDB [11 mm1 mm2]	MMX reg 1 [qword] <--logic AND-- MMX reg 1 [qword], MMX reg 2 [qword]	1/1
Memory to MMX Register	0FDB [mod mm r/m]	MMX reg [qword] <--logic AND-- memory [qword], MMX reg [qword]	
PANDN <i>Bitwise Logical AND NOT</i>			
MMX Register 2 to MMX Register 1	0FDF [11 mm1 mm2]	MMX reg 1 [qword] <--logic AND -- NOT MMX reg 1 [qword], MMX reg 2 [qword]	1/1
Memory to MMX Register	0FDF [mod mm r/m]	MMX reg [qword] <--logic AND-- NOT MMX reg [qword], Memory [qword]	1/1
PCMPEQB <i>Packed Byte Compare for Equality</i>			
MMX Register 2 with MMX Register 1	0F74 [11 mm1 mm2]	MMX reg 1 [byte] <--FFh-- if MMX reg 1 [byte] = MMX reg 2 [byte] MMX reg 1 [byte] <--00h-- if MMX reg 1 [byte] NOT = MMX reg 2 [byte]	1/1
Memory with MMX Register	0F74 [mod mm r/m]	MMX reg [byte] <--FFh-- if memory[byte] = MMX reg [byte] MMX reg [byte] <--00h-- if memory[byte] NOT = MMX reg [byte]	1/1

Instruction Set (Continued)

Table 9-31. MMX Instruction Set Summary (Continued)

MMX Instructions	Opcode	Operation and Clock Count (Latency/Throughput)	
PCMPEQD Packed Dword Compare for Equality			
MMX Register 2 with MMX Register 1	0F76 [11 mm1 mm2]	MMX reg 1 [dword] <--FFFF FFFF-- if MMX reg 1 [dword] = MMX reg 2 [dword] MMX reg 1 [dword]<--0000 0000h--if MMX reg 1[dword] NOT = MMX reg 2 [dword]	1/1
Memory with MMX Register	0F76 [mod mm r/m]	MMX reg [dword] <--FFFF FFFFh-- if memory[dword] = MMX reg [dword] MMX reg [dword] <--0000 0000h-- if memory[dword] NOT = MMX reg [dword]	1/1
PCMPEQW Packed Word Compare for Equality			
MMX Register 2 with MMX Register 1	0F75 [11 mm1 mm2]	MMX reg 1 [word] <--FFFFh-- if MMX reg 1 [word] = MMX reg 2 [word] MMX reg 1 [word]<--0000h-- if MMX reg 1 [word] NOT = MMX reg 2 [word]	1/1
Memory with MMX Register	0F75 [mod mm r/m]	MMX reg [word] <--FFFFh-- if memory[word] = MMX reg [word] MMX reg [word] <--0000h-- if memory[word] NOT = MMX reg [word]	1/1
PCMPGTB Pack Compare Greater Than Byte			
MMX Register 2 to MMX Register 1	0F64 [11 mm1 mm2]	MMX reg 1 [byte] <--FFh-- if MMX reg 1 [byte] > MMX reg 2 [byte] MMX reg 1 [byte]<--00h-- if MMX reg 1 [byte] NOT > MMX reg 2 [byte]	1/1
Memory with MMX Register	0F64 [mod mm r/m]	MMX reg [byte] <--FFh-- if memory[byte] > MMX reg [byte] MMX reg [byte] <--00h-- if memory[byte] NOT > MMX reg [byte]	1/1
PCMPGTD Pack Compare Greater Than Dword			
MMX Register 2 to MMX Register 1	0F66 [11 mm1 mm2]	MMX reg 1 [dword] <--FFFF FFFFh-- if MMX reg 1 [dword] > MMX reg 2 [dword] MMX reg 1 [dword]<--0000 0000h--if MMX reg 1 [dword]NOT > MMX reg 2 [dword]	1/1
Memory with MMX Register	0F66 [mod mm r/m]	MMX reg [dword] <--FFFF FFFFh-- if memory[dword] > MMX reg [dword] MMX reg [dword] <--0000 0000h-- if memory[dword] NOT > MMX reg [dword]	1/1
PCMPGTW Pack Compare Greater Than Word			
MMX Register 2 to MMX Register 1	0F65 [11 mm1 mm2]	MMX reg 1 [word] <--FFFFh-- if MMX reg 1 [word] > MMX reg 2 [word] MMX reg 1 [word]<--0000h-- if MMX reg 1 [word] NOT > MMX reg 2 [word]	1/1
Memory with MMX Register	0F65 [mod mm r/m]	MMX reg [word] <--FFFFh-- if memory[word] > MMX reg [word] MMX reg [word] <--0000h-- if memory[word] NOT > MMX reg [word]	1/1
PMADDWD Packed Multiply and Add			
MMX Register 2 to MMX Register 1	0FF5 [11 mm1 mm2]	MMX reg 1 [dword] <--add-- [dword]<---- MMX reg 1 [sign word]*MMX reg 2[sign word]	2/1
Memory to MMX Register	0FF5 [mod mm r/m]	MMX reg 1 [dword] <--add-- [dword] <---- memory [sign word] * Memory [sign word]	2/1
PMULHW Packed Multiply High			
MMX Register 2 to MMX Register 1	0FE5 [11 mm1 mm2]	MMX reg 1 [word] <--upper bits-- MMX reg 1 [sign word] * MMX reg 2 [sign word]	2/1
Memory to MMX Register	0FE5 [mod mm r/m]	MMX reg 1 [word] <--upper bits-- memory [sign word] * Memory [sign word]	2/1
PMULLW Packed Multiply Low			
MMX Register 2 to MMX Register 1	0FD5 [11 mm1 mm2]	MMX reg 1 [word] <--lower bits-- MMX reg 1 [sign word] * MMX reg 2 [sign word]	2/1
Memory to MMX Register	0FD5 [mod mm r/m]	MMX reg 1 [word] <--lower bits-- memory [sign word] * Memory [sign word]	2/1
POR Bitwise OR			
MMX Register 2 to MMX Register 1	0FEB [11 mm1 mm2]	MMX reg 1 [qword] <--logic OR-- MMX reg 1 [qword], MMX reg 2 [qword]	1/1
Memory to MMX Register	0FEB [mod mm r/m]	MMX reg [qword] <--logic OR-- MMX reg [qword], memory[qword]	1/1
PSLLD Packed Shift Left Logical Dword			
MMX Register 1 by MMX Register 2	0FF2 [11 mm1 mm2]	MMX reg 1 [dword] <--shift left, shifting in zeroes by MMX reg 2 [dword]--	1/1
MMX Register by Memory	0FF2 [mod mm r/m]	MMX reg [dword] <--shift left, shifting in zeroes by memory[dword]--	1/1
MMX Register by Immediate	0F72 [11 110 mm] #	MMX reg [dword] <--shift left, shifting in zeroes by [im byte]--	1/1
PSLLQ Packed Shift Left Logical Qword			
MMX Register 1 by MMX Register 2	0FF3 [11 mm1 mm2]	MMX reg 1 [qword] <--shift left, shifting in zeroes by MMX reg 2 [qword]--	1/1
MMX Register by Memory	0FF3 [mod mm r/m]	MMX reg [qword] <--shift left, shifting in zeroes by [qword]--	1/1
MMX Register by Immediate	0F73 [11 110 mm] #	MMX reg [qword] <--shift left, shifting in zeroes by [im byte]--	1/1
PSLLW Packed Shift Left Logical Word			
MMX Register 1 by MMX Register 2	0FF1 [11 mm1 mm2]	MMX reg 1 [word] <--shift left, shifting in zeroes by MMX reg 2 [word]--	1/1
MMX Register by Memory	0FF1 [mod mm r/m]	MMX reg [word] <--shift left, shifting in zeroes by memory[word]--	1/1
MMX Register by Immediate	0F71 [11 110mm] #	MMX reg [word] <--shift left, shifting in zeroes by [im byte]--	1/1

Instruction Set (Continued)

Table 9-31. MMX Instruction Set Summary (Continued)

MMX Instructions	Opcode	Operation and Clock Count (Latency/Throughput)	
PSRAD Packed Shift Right Arithmetic Dword			
MMX Register 1 by MMX Register 2	0FE2 [11 mm1 mm2]	MMX reg 1 [dword] <--arith shift right, shifting in zeroes by MMX reg 2 [dword--]	1/1
MMX Register by Memory	0FE2 [mod mm r/m]	MMX reg [dword] <--arith shift right, shifting in zeroes by memory[dword--]	1/1
MMX Register by Immediate	0F72 [11 100 mm] #	MMX reg [dword] <--arith shift right, shifting in zeroes by [im byte]--	1/1
PSRAW Packed Shift Right Arithmetic Word			
MMX Register 1 by MMX Register 2	0FE1 [11 mm1 mm2]	MMX reg 1 [word] <--arith shift right, shifting in zeroes by MMX reg 2 [word--]	1/1
MMX Register by Memory	0FE1 [mod mm r/m]	MMX reg [word] <--arith shift right, shifting in zeroes by memory[word--]	1/1
MMX Register by Immediate	0F71 [11 100 mm] #	MMX reg [word] <--arith shift right, shifting in zeroes by [im byte]--	1/1
PSRLD Packed Shift Right Logical Dword			
MMX Register 1 by MMX Register 2	0FD2 [11 mm1 mm2]	MMX reg 1 [dword] <--shift right, shifting in zeroes by MMX reg 2 [dword]--	1/1
MMX Register by Memory	0FD2 [mod mm r/m]	MMX reg [dword] <--shift right, shifting in zeroes by memory[dword]--	1/1
MMX Register by Immediate	0F72 [11 010 mm] #	MMX reg [dword] <--shift right, shifting in zeroes by [im byte]--	1/1
PSRLQ Packed Shift Right Logical Qword			
MMX Register 1 by MMX Register 2	0FD3 [11 mm1 mm2]	MMX reg 1 [qword] <--shift right, shifting in zeroes by MMX reg 2 [qword]	1/1
MMX Register by Memory	0FD3 [mod mm r/m]	MMX reg [qword] <--shift right, shifting in zeroes by memory[qword]	1/1
MMX Register by Immediate	0F73 [11 010 mm] #	MMX reg [qword] <--shift right, shifting in zeroes by [im byte]	1/1
PSRLW Packed Shift Right Logical Word			
MMX Register 1 by MMX Register 2	0FD1 [11 mm1 mm2]	MMX reg 1 [word] <--shift right, shifting in zeroes by MMX reg 2 [word]	1/1
MMX Register by Memory	0FD1 [mod mm r/m]	MMX reg [word] <--shift right, shifting in zeroes by memory[word]	1/1
MMX Register by Immediate	0F71 [11 010 mm] #	MMX reg [word] <--shift right, shifting in zeroes by imm[word]	1/1
PSUBB Subtract Byte With Wrap-Around			
MMX Register 2 to MMX Register 1	0FF8 [11 mm1 mm2]	MMX reg 1 [byte] <---- MMX reg 1 [byte] subtract MMX reg 2 [byte]	1/1
Memory to MMX Register	0FF8 [mod mm r/m]	MMX reg [byte] <---- MMX reg [byte] subtract memory [byte]	1/1
PSUBD Subtract Dword With Wrap-Around			
MMX Register 2 to MMX Register 1	0FFA [11 mm1 mm2]	MMX reg 1 [dword] <---- MMX reg 1 [dword] subtract MMX reg 2 [dword]	1/1
Memory to MMX Register	0FFA [mod mm r/m]	MMX reg [dword] <---- MMX reg [dword] subtract memory [dword]	1/1
PSUBSB Subtract Byte Signed With Saturation			
MMX Register 2 to MMX Register 1	0FE8 [11 mm1 mm2]	MMX reg 1 [sign byte] <--sat-- MMX reg 1 [sign byte] subtract MMX reg 2 [sign byte]	1/1
Memory to MMX Register	0FE8 [mod mm r/m]	MMX reg [sign byte] <--sat-- MMX reg [sign byte] subtract memory [sign byte]	1/1
PSUBSW Subtract Word Signed With Saturation			
MMX Register 2 to MMX Register 1	0FE9 [11 mm1 mm2]	MMX reg 1 [sign word] <--sat-- MMX reg 1 [sign word] subtract MMX reg 2 [sign word]	1/1
Memory to MMX Register	0FE9 [mod mm r/m]	MMX reg [sign word] <--sat-- MMX reg [sign word] subtract memory [sign word]	1/1
PSUBUSB Subtract Byte Unsigned With Saturation			
MMX Register 2 to MMX Register 1	0FD8 [11 mm1 mm2]	MMX reg 1 [byte] <--sat-- MMX reg 1 [byte] subtract MMX reg 2 [byte]	1/1
Memory to MMX Register	0FD8 [11 mm reg]	MMX reg [byte] <--sat-- MMX reg [byte] subtract memory [byte]	1/1
PSUBUSW Subtract Word Unsigned With Saturation			
MMX Register 2 to MMX Register 1	0FD9 [11 mm1 mm2]	MMX reg 1 [word] <--sat-- MMX reg 1 [word] subtract MMX reg 2 [word]	1/1
Memory to MMX Register	0FD9 [11 mm reg]	MMX reg [word] <--sat-- MMX reg [word] subtract memory [word]	1/1
PSUBW Subtract Word With Wrap-Around			
MMX Register 2 to MMX Register 1	0FF9 [11 mm1 mm2]	MMX reg 1 [word] <---- MMX reg 1 [word] subtract MMX reg 2 [word]	1/1
Memory to MMX Register	0FF9 [mod mm r/m]	MMX reg [word] <---- MMX reg [word] subtract memory [word]	1/1
PUNPCKHBW Unpack High Packed Byte, Data to Packed Words			
MMX Register 2 to MMX Register 1	0F68 [11 mm1 mm2]	MMX reg 1 [byte] <--interleave-- MMX reg 1 [up byte], MMX reg 2 [up byte]	1/1
Memory to MMX Register	0F68 [11 mm reg]	MMX reg [byte] <--interleave-- memory [up byte], MMX reg [up byte]	1/1
PUNPCKHDQ Unpack High Packed Dword, Data to Qword			
MMX Register 2 to MMX Register 1	0F6A [11 mm1 mm2]	MMX reg 1 [dword] <--interleave-- MMX reg 1 [up dword], MMX reg 2 [up dword]	1/1
Memory to MMX Register	0F6A [11 mm reg]	MMX reg [dword] <--interleave-- memory [up dword], MMX reg [up dword]	1/1
PUNPCKHWD Unpack High Packed Word, Data to Packed Dwords			
MMX Register 2 to MMX Register 1	0F69 [11 mm1 mm2]	MMX reg 1 [word] <--interleave-- MMX reg 1 [up word], MMX reg 2 [up word]	1/1
Memory to MMX Register	0F69 [11 mm reg]	MMX reg [word] <--interleave-- memory [up word], MMX reg [up word]	1/1

Instruction Set (Continued)

Table 9-31. MMX Instruction Set Summary (Continued)

MMX Instructions	Opcode	Operation and Clock Count (Latency/Throughput)	
PUNPCKLBW <i>Unpack Low Packed Byte, Data to Packed Words</i>			
MMX Register 2 to MMX Register 1	0F60 [11 mm1 mm2]	MMX reg 1 [word] <--interleave-- MMX reg 1 [low byte], MMX reg 2 [low byte]	1/1
Memory to MMX Register	0F60 [11 mm reg]	MMX reg [word] <--interleave-- memory [low byte], MMX reg [low byte]	1/1
PUNPCKLDQ <i>Unpack Low Packed Dword, Data to Qword</i>			
MMX Register 2 to MMX Register 1	0F62 [11 mm1 mm2]	MMX reg 1 [word] <--interleave-- MMX reg 1 [low dword], MMX reg 2 [low dword]	1/1
Memory to MMX Register	0F62 [11 mm reg]	MMX reg [word] <--interleave-- memory [low dword], MMX reg [low dword]	1/1
PUNPCKLWD <i>Unpack Low Packed Word, Data to Packed Dwords</i>			
MMX Register 2 to MMX Register 1	0F61 [11 mm1 mm2]	MMX reg 1 [word] <--interleave-- MMX reg 1 [low word], MMX reg 2 [low word]	1/1
Memory to MMX Register	0F61 [11 mm reg]	MMX reg [word] <--interleave-- memory [low word], MMX reg [low word]	1/1
PXOR <i>Bitwise XOR</i>			
MMX Register 2 to MMX Register 1	0FEF [11 mm1 mm2]	MMX reg 1 [qword] <--logic exclusive OR-- MMX reg 1 [qword], MMX reg 2 [qword]	1/1
Memory to MMX Register	0FEF [11 mm reg]	MMX reg [qword] <--logic exclusive OR-- memory[qword], MMX reg [qword]	1/1

Instruction Set (Continued)

9.6 NATIONAL SEMICONDUCTOR EXTENDED MMX INSTRUCTION SET

National Semiconductor has added instructions to its implementation of the MMX Architecture in order to facilitate writing of multimedia applications. In general, these instructions allow more efficient implementation of multimedia algorithms, or more precision in computation than can be achieved using the basic set of MMX instructions. All of the added instructions follow the SIMD (single instruction, multiple data) format. Many of the instructions add flexibility to the MMX architecture by allowing both source operands of an instruction to be preserved, while the result goes to a separate register that is derived from the input.

Table 9-33 on page 235 summarizes the Extended MMX Instructions. The abbreviations used in the table are listed in Table 9-32.

Configuration control register CCR7(0) at location EBh must be set to allow the execution of the Extended MMX instructions.

Table 9-32. Extend MMX Instruction Set Table Legend

Abbreviation	Description
<---	Result written
[11 mm reg]	Binary or binary groups of digits
mm	One of eight 64-bit MMX registers
reg	A general purpose register
<--sat--	If required, the resultant data is saturated to remain in the associated data range
<--move--	Source data is moved to result location
[byte]	Eight 8-bit bytes are processed in parallel
[word]	Four 16-bit WORD are processed in parallel
[dword]	Two 32-bit DWORDs are processed in parallel
[qword]	One 64-bit QWORD is processed
[sign xxx]	The BYTE, WORD, DWORD or QWORD most significant bit is a sign bit
mm1, mm2	MMX Register 1, MMX Register 2
mod r/m	Mod and r/m byte encoding (page 6-6 of this manual)
pack	Source data is truncated or saturated to next smaller data size, then concatenated.
packdw	Pack two DWORDs from source and two DWORDs from destination into four WORDs in destination register.
packwb	Pack four WORDs from source and four WORDs from destination into eight BYTES in destination register.

Instruction Set (Continued)

Table 9-33. Extended MMX Instruction Set Summary

MMX Instructions	Opcode	Operation and Clock Count	
PADDSIW <i>Packed Add Signed Word with Saturation Using Implied Destination</i>			
MMX Register plus MMX Register to Implied Register	0F51 [11 mm1 mm2]	Sum signed packed word from MMX register/memory ---> signed packed word in MMX register, saturate, and write result ---> implied register	1
Memory plus MMX Register to Implied Register	0F51 [mod mm r/m]		1
PAVEB <i>Packed Average Byte</i>			
MMX Register 2 with MMX Register 1	0F50 [11 mm1 mm2]	Average packed byte from the MMX register/memory with packed byte in the MMX register. Result is placed in the MMX register.	1
Memory with MMX Register	0F50 [mod mm r/m]		1
PDISTIB <i>Packed Distance and Accumulate with Implied Register</i>			
Memory, MMX Register to Implied Register	0F54 [mod mm r/m]	Find absolute value of difference between packed byte in memory and packed byte in the MMX register. Using unsigned saturation, accumulate with value in implied destination register.	2
PMACHRIW <i>Packed Multiply and Accumulate with Rounding</i>			
Memory to MMX Register	0F5E[mod mm r/m]	Multiply the packed word in the MMX register by the packed word in memory. Sum the 32-bit results pairwise. Accumulate the result with the packed signed word in the implied destination register.	2
PMAGW <i>Packed Magnitude</i>			
MMX Register 2 to MMX Register 1	0F52 [11 mm1 mm2]	Set the destination equal ---> the packed word with the largest magnitude, between the packed word in the MMX register/memory and the MMX register.	2
Memory to MMX Register	0F52 [mod mm r/m]		2
PMULHRIW <i>Packed Multiply High with Rounding, Implied Destination</i>			
MMX Register 2 to MMX Register1	0F5D [11 mm1 mm2]	Packed multiply high with rounding and store bits 30 - 15 in implied register.	2
Memory to MMX Register	0F5D [mod mm r/m]		2
PMULHRW <i>Packed Multiply High with Rounding</i>			
MMX Register 2 to MMX Register 1	0F59 [11 mm1 mm2]	Multiply the signed packed word in the MMX register/memory with the signed packed word in the MMX register. Round with 1/2 bit 15, and store bits 30 - 15 of result in the MMX register.	2
Memory to MMX Register	0F59 [mod mm r/m]		2
PMVGEZB <i>Packed Conditional Move If Greater Than or Equal to Zero</i>			
Memory to MMX Register	0F5C [mod mm r/m]	Conditionally move packed byte from memory ---> packed byte in the MMX register if packed byte in implied MMX register is greater than or equal ---> zero.	1
PMVLZB <i>Packed Conditional Move If Less Than Zero</i>			
Memory to MMX Register	0F5B [mod mm r/m]	Conditionally move packed byte from memory ---> packed byte in the MMX register if packed byte in implied MMX register is less than zero.	1
PMVNZB <i>Packed Conditional Move If Not Zero</i>			
Memory to MMX Register	0F5A [mod mm r/m]	Conditionally move packed byte from memory ---> packed byte in the MMX register if packed byte in implied MMX register is not zero.	1
PMVZB <i>Packed Conditional Move If Zero</i>			
Memory to MMX Register	0F58 [mod mm r/m]	Conditionally move packed byte from memory ---> packed byte in the MMX register if packed byte in implied the MMX register is zero.	1
PSUBSIW <i>Packed Subtracted with Saturation Using Implied Destination</i>			
MMX Register 2 to MMX Register 1	0F55 [11 mm1 mm2]	Subtract signed packed word in the MMX register/memory from signed packed word in the MMX register, saturate, and write result ---> implied register.	1
Memory to MMX Register	0F55 [mod mm r/m]		1

Appendix A Support Documentation

A.1 ORDER INFORMATION

Order Number	Part Marking	Core Frequency (MHz)	Temperature (Degree C)	Package
30070-53	GXm-266P 2.9V 70C	266	70	SPGA
30071-53	GXm-266P 2.9V 85C	266	85	SPGA
30170-53	GXm-266B 2.9V 70C	266	70	BGA
30171-53	GXm-266B 2.9V 85C	266	85	BGA
30050-33	GXm-233P 2.9V 70C	233	70	SPGA
30054-33	GXm-233P 2.9V 85C	233	85	SPGA
30150-33	GXm-233B 2.9V 70C	233	70	BGA
30151-33	GXm-233B 2.9V 85C	233	85	BGA
30040-23	GXm-200P 2.9V 70C	200	70	SPGA
30044-23	GXm-200P 2.9V 85C	200	85	SPGA
30140-23	GXm-200B 2.9V 70C	200	70	BGA
30141-23	GXm-200B 2.9V 85C	200	85	BGA
30030-23	GXm-180P 2.9V 70C	180	70	SPGA
30034-23	GXm-180P 2.9V 85C	180	85	SPGA
30130-23	GXm-180B 2.9V 70C	180	70	BGA
30131-23	GXm-180B 2.9V 85C	180	85	BGA

A.2 DATA BOOK REVISION HISTORY

This document is a report of the revision/creation process (i.e., additions, deletions, parameter corrections, etc.) are recorded in the tables below of the data book for the GXm processor. Any revisions

Table A-1. Revision History

Revision # (PDF Date)	Revisions / Comments
0.0 (2/5/98)	Creation phase
0.1 (2/25/98)	Creation phase continues - added functional description.
0.2 (3/24/98)	Creation phase continues - added 233 MHz parameters.
0.3 (4/22/98)	Creation phase continues - added 266 MHz numbers.
1.0 (8/13/98)	All sections complete - added 300 MHz numbers, added Index.
2.0 (10/29/98)	Major change is new values for 352 BGA Mechanical.
3.0 (9/21/99)	Converted to National Semiconductor format and updated for addendum revision 3.0.
3.1 (4/6/00)	Formatting changes and one change from engineering. See Table A-2 for details.

Table A-2. Edits to Current Revision

Section	Revision
3.0 Processor Programming	<ul style="list-style-type: none"> Combined bits 1 and 2 of Configuration Control Register 1 in Table 3-11 on page 52.
7.0 Electricals	<ul style="list-style-type: none"> All references to Recommended Operating Conditions became Operating Conditions. Table 7-3 on page 183 - Changed supply voltage from 3.6V to 3.2V.

Index

A			
Absolute Maximum Ratings	183	CCR7	
AC Characteristics	186	Cyrix Extended MMX Instructions Enable	50
Accessing	157	NMI Enabl	50
Address Spaces	60	CCR7 Configuration Control Register 7 Index EBh	50
Directory Table Entry (DTE)	73	Clock Mode	24
DTE Cache	73	Configuration Register Map	48
I/O Address Space	60	Control Registers	48
Memory Address Space	60	Device ID Registers	48
Memory Addressing Modes	61	Graphics/VGA Related Registers	48
Offset Mechanism	61	SMM Base Header Address Registers	48
Page Frame Offset (PFO)	73	Configuration Register Summary	47
Page Table Entry (PTE)	73	Conforming Code Segments	69
Paging Mechanism	72	Control Transfer	87
Translation Look-Aside Buffer	74	CPU_READ	99
Address Translation	108	CPU_READ/WRITE	
Application Register Set	40	EAX instructions	99
		EBX instructions	99
B		CPU_WRITE	99
BGA Ball Assignments by Ball Number	15	CPUID Instruction	208
BGA Ball Assignments by Pin Name	17	EAX = 0000 0000h	208
BGA Ball Assignments Diagram	14	EAX = 0000 0001h	208
		EAX = 0000 0002h	209
		EAX = 8000 0000h	210
		EAX = 8000 0001h	210
		EAX = 8000 0002h	211
		EAX = 8000 0003h	211
		EAX = 8000 0004h	211
		EAX = 8000 0005h	211
		CPUID Levels	208
		CPUID Levels, Extended	210
		CR0 Register	45
		Alignment Check Mask	46
		Cache Disable	46
		Emulate Processor Extension	46
		Monitor Processor Extension	46
		Not Write-Through	46
		Numerics Exception	46
		Paging Enable Bit	45
		Protected Mode Enable	46
		Task Switched	46
		Write Protect	46
		CR2 Register	45
		Page Fault Linear Address	45
		CR3 Register	45
		Page Directory Base Register	45
		CR4 Register	45
		Time Stamp Counter Instruction	45
		D	
		DC Characteristics	185
		Descriptor Bit Structure	67
		Descriptor Types	87
		Descriptors	
		Gate	67
		gate	69
		Interrupt	67
		Task	67
		Device Select	28
		DEVSEL	28
		DIMM	112
		DIR0	
		Device ID	51
		DIR0 Device Identification Register 0 Index FEh	51
		DIR1	
		Device Identification Revision	51
		DIR1 Device Identification Register 1 Index FFh	51
C			
Cache			
BB0_BASE	95		
BB0_POINTER	95		
BB1_BASE	95		
BB1_POINTER	95		
GCR register (Index B8h)	95		
L1 cache	95		
scratchpad memory	95		
Write-back caching	95		
Cache Controller	95		
Cache Disable, bit 30	95		
Cache Test Operations	58		
call gate	69		
Current Privilege Level	69		
Descriptor Privilege Level	69		
Descriptor Privilege Level in Destination	69		
Descriptors Bit Definitions	69		
Segment Selector Field	69		
CCR1			
System Management Memory Access	49		
CCR1 Configuration Control Register 1 Index C1h	49		
CCR2			
Enable Suspend Pins	49		
Lock NW Bit	49		
Suspend on HALT	49		
Write-Through Region 1	49		
CCR2 Configuration Control Register 2 Index C2h	49		
CCR3			
Load/Store Serialize 1 GByte to 2 GBytes	49		
Load/Store Serialize 2 GBytes to 3 GBytes	49		
Load/Store Serialize 3 GBytes to 4 GBytes	49		
Map Enable	49		
NMI Enable	49		
SMM Register Lock	49		
CCR3 Configuration Control Register 3 Index C3h	49		
CCR4			
Directory Table Entry Cache	50		
Enable CPUID Instruction	50		
I/O Recovery Time	50		
Memory Read Bypassing	50		
SMI Nest	50		
CCR4 Configuration Control Register 4 Index E8h	50		

Index (Continued)

Directory Table Entry	73	BT	53
Display Controller	129–154	DR7 and DR6 Bit Definitions	53
Buffer Organization	135	DR7 Register	53
CODEC hardware	129	GD	53
Compression Logic	130	Gn	53
Compression Technology	130	LENn	53
CRT Display Modes	134	Ln	53
Cursor Pattern Memory	136	R/Wn	53
DC Memory Organization	135	DRAM Address Conversion	112
DC_CURSOR_COLOR Register (BX_BASE+8360h)	131	E	
Display FIFO	130	EBP register	40
Display Modes	131	EFLAGS Register	43
Display Timing	131	Alignment Check Enable (AM)	43
Dither/Frame-Rate Modulation (FRM)	131	Auxiliary Carry Flag	43
Graphics Memory Map	135	Carry Flag	43
Hardware Cursor	131	CUID instruction	43
Memory Management	130	Direction Flag (DF)	43
Pixel Arrangement Within a DWORD	135	I/O Privilege Level (IOPL)	43
RAMDAC	129	Identification Bit	43
TFT LCD flat panel	129	Interrupt Enable	43
TFT Panel Data Bus Formats	133	Nested Task (NT)	43
TFT Panel Display Modes	132	Resume Flag (RF)	43
VESA-compatible	131	Sign Flag	43
VGA Display Support	136	Trap Enable Flag	43
Display Controller Block Diagram	129	Virtual 8086 Mode (VM)	43
Display Controller Registers	136	EFLAGS register, bit 9	83
Configuration and Status Registers	139	EGA	165
DC_BORDER_COLOR (8368h-836Bh)	138	Electrical Connections	182
DC_BUF_SIZE (8328h-832Bh)	137	NC-Designated Pins	182
DC_CB_ST_OFFSET (8314h-8317h)	137	Power/Ground Connections	182
DC_CFIFO_DIAG (837Ch-837Fh)	138	Pull-Up/Pull-Down Resistors	182
DC_CURS_ST_OFFSET (8318h-831Bh)	137	Unused Input Pins	182
DC_CURSOR_COLOR (83680h-8363h)	138	Electrical Specifications	182
DC_CURSOR_X (8350h-8353h)	137	Absolute Maximum Ratings	183
DC_CURSOR_Y (8358h-835Bh)	137	AC Characteristics	186
DC_DFIFO_DIAG (8378h-837Bh)	138	Clock Signals	187
DC_FB_ST_OFFSET (8310h-8313h)	136	DC Characteristics Table	185
DC_FP_H_TIMING (833Ch-833Fh)	137	DCLK Timing	192
DC_FP_V_TIMING (834Ch-834Fh)	137	Graphics Port Timing	191
DC_GENERAL_CFG (8304h-8307h)	136	JTAG AC Specification	193
DC_H_TIMING_1 (8330h-8333h)	137	JTAG Test Timings	194
DC_H_TIMING_2 (8334h-8337h)	137	Output Valid Timing	190
DC_H_TIMING_3 (8338h-833Bh)	137	Part Numbers	182
DC_LINE_DELTA (8324h-8327h)	137	PCI Interface Signals	189
DC_OUTPUT_CFG (830Ch-830Fh)	136	SDRAM Interface Signals	190
DC_PAL_ADDRESS (8370h-8373h)	138	Setup and Hold Timings	190
DC_PAL_DATA (8374h-8377h)	138	SYSCLK Timing	187
DC_SS_LINE_CMP (835Ch-835Fh)	137	System Signals	188
DC_TIMING_CFG (8308h-830Bh)	136	TCK Timing and Measurement Points	193
DC_UNLOCK (8300h-8303h)	136	Video Interface Signals	191
DC_V_LINE_CNT (8354h-8357h)	137	Video Port Timing	192
DC_V_TIMING_1 (8340h-8343h)	137	Exceptions	74
DC_V_TIMING_2 (8344h-8347h)	137	Abort	75
DC_V_TIMING_3 (8348h-834Bh)	137	Fault	75
DC_VID_ST_OFFSET (8320h-8323h)	137	Trap	74
Memory Organization Registers	144	Extended MMX Instruction Set	234
Display Driver		Extended MMX™ Instruction Set	
BB0_RESET	98	Configuration Control Register	234
BB1_RESET	98	Legend	234
CPU_READ	98	F	
CPU_WRITE	98	Fields - index	207
Scratchpad	98	Fields - mod and r/m	205
Display Driver Instructions	98	Fields - sreg3	206
DR6 Register	53	Fields - ss	207
Bn	53	floating point error	25
BS	53		

Index (Continued)

FPU			
Mode Control Register	89	GP_VGA_LATCH (8214h-8217h)	125
Register Set	89	GP_VGA_READ (8200h-8203h)	124
Status Register	89	GP_VGA_WRITE (8140h-8143h)	124
Tag Word Register	89	Master/Slave Registers	121
FPU Instruction Set	224	Monochrome Patterns	122
Summary Notes	228	Pattern Generation	121
FPU Mode Control Register	90	graphics pipeline	165, 166
Denormalized-operand error exception bit	90	Graphics Pipeline Block Diagram	120
Divide-by-zero exception bit	90	H	
Invalid-operation exception bit	90	HALT	25
Overflow error exception bit	90	High Order Interleaving	112
Precision Control Bits	90	I	
Precision error exception bit	90	I/O Address Space	60
Rounding Control Bits	90	Initialization	38
FPU Operations	89	Initialization, CPU	38
FPU Registers	90	Initiator Ready	
FPU Status Register	90	IRDY	27
Condition code bit 3	90	TRDY	27
Condition code bits	90	Instruction Fields	202
Copy of ES bit	90	Instruction Set	39
Denormalized-operand error exception bit	90	eee Field Encoding	204
Divide-by-zero exception bit	90	Index Field	207
Error indicator	90	Memory Addressing	205
Invalid operation exception bit	90	mod base Field Encoding table	207
Overflow error exception bit	90	mod r/m Field Encoding	205
Precision error exception bit	90	Opcode	203
Stack Full	90	prefix bytes	203
Top-of-Stack	90	reg Field	206
Underflow error exception bit	90	s-i-b Byte	207
FPU Tag Word Register (TAG7:0)	90	s-i-b present	207
frame buffer	94	sreg2 field	206
		sreg3	206
G		ss Field	207
Gates	87	w Field Operand Size	203
General Purpose Registers	40	instruction set	201
Global Descriptor Table Register (GDTR)	66	Instruction Set Format Table	202
Grant Lines	29	Instruction Set Formats	201
Graphics Memory (GX_BASE+800000h)	94	Instruction Set Overview	39
Graphics Pipeline	120–128	Instructions	
BitBLT/vector engine	120	Bit Test Instructions	39
Color Patterns	123	Exchange Instructions	39
Diagonal Error Register (108h-810Bh)	124	One-operand Arithmetic and Logical	39
Dither Patterns	122	Two-operand Arithmetic and Logical	39
Error Register (8104-8107h)	124	Instuction Prefix Summary	203
GP_BLT_MODE	120	Integrated Functions	91
GP_BLT_MODE (8208h-820Bh)	124	Integrated Functions Programming Interface	92
GP_BLT_STATUS (820Ch-820Fh)	125	Interleaving	112
GP_DST/START_Y/XCOOR (8100h-8103h)	124	Internal Bus Interface	100–102
GP_DST_XCOOR	121	Internal Bus Interface Unit	
GP_DST_YCOOR	121	640KB to 1MB	100
GP_INIT_ERROR	121	C-Bus	100
GP_PAT_COLOR_0 register	122	FPU Error Support	100
GP_PAT_COLOR_1 (GX_BASE+8112h)	122	Graphics	100
GP_PAT_COLOR_A (8110h)	124	IRQ13	100
GP_PAT_COLOR_B (8114h)	124	L1 cache	100
GP_PAT_DATA (8120h-812Fh)	124	Processor Core	100
GP_RASTER_MODE (8200h-8203h)	124	Region Control Field Bit Definitions	102
GP_RASTER_MODE (GX_BASE+ 8200h)	122	Registers (GX_BASE+8000h)	101
GP_RASTER_MODE Bit Patterns	123	SMI Interrupts	100
GP_SRC_COLOR (810Ch-810Fh)	124	VGA Access	100
GP_SRC_COLOR_0 (GX_BASE+810Ch)	123	X-Bus	100
GP_SRC_YCOOR	121	Internal Bus Interface Unit Diagram	91
GP_VECTOR_MODE (8204h-8207h)	124	Internal Bus Interface Unit Registers	
GP_VGA_BASE (8210h-8213h)	125		

Index (Continued)

BC_DRAM_TOP (8000h-8003h)	101	SDRAM Interface Clocking	118
BC_XMAP_1 (8004h-8007h)	101	CAS latency	118
BC_XMAP_2 (8008h-800Bh)	101	SDRAM Read Cycle	115
BC_XMAP_3 (800Ch-800Fh)	101	SDRAM Refresh Cycle	117
Internal Test Signals		SDRAM Write Cycle	116
Ifloat	32	SHFTSDCLK	119
Raw Clock	32	X-Bus	103
SDRAM Test Outputs	32	Memory Controller Interface Signals	
Test	33	Bank Address Bits	29
Test Clock	32	Chip Selects	29
Test Data Input	32	Clock Enable	30
Test Data Output	32	Column Address Strobe	29
Thermal Diode Negative (TDN)	33	Data Mask Control Bits	30
Thermal Diode Positive (TDP)	33	Memory Address Bus	29
Interrupt		Row Address Strobe	29
Interrupt and Exception Priorities	76	SDRAM Clocks	30
Interrupt Descriptor Table	75	Write Enable	29
Interrupt Request Level 13	25	Memory Controller Register	108
Interrupts	74	MC_BANK_CFG (8408h-840Bh)	108
INTR	74	MC_DR_ACC (841Ch-841Fh)	108
NMI	74	MC_DR_ADD (8418h-841Bh)	108
Real Mode Error Codes	77	MC_GBASE_ADD (8414h-8417h)	108
Real Mode, Exceptions	77	MC_MEM_CNTRL1 (8400h-8403h)	108
SMM	74	MC_MEM_CNTRL2 (8404h-8407h)	108
Vector A	75	MC_SYNC_TIM1 (840Ch-840Fh)	108
INTR	43, 74, 76, 83, 85, 86	Memory Data Bus	29
invalid opcode	39	MMX Instruction Set	229
IRET instruction	43	Multiplexed Address	
L		PCI pins	26
Legacy VGA	165	Multiplexed Command	
Local Descriptor Table Register (LDTR)	66	Configuration Read	26
LOCK	28	Configuration Write	26
Lock Prefix	39	Dual Address Cycle	26
Low Order Interleaving	112	Memory Read Line	26
M		Memory Read Multiple	26
MediaGX™ Virtual VGA	167	Memory Write and Invalidate	26
Memory Address Space	60	Special Cycle	26
Memory Addressing		Multiplexed Command and Byte Enables	
Paging Mechanism	72	Interrupt Acknowledge	26
Memory Addressing Modes	61	Multitasking	70
Memory Controller	103–119	N	
Auto LOI	112	NMI	49, 74, 75, 76, 78, 83, 85, 86
1 DIMM Bank	113	notebook computers	174
2 DIMM Banks	113	O	
Block Diagram	103	Overflow Flag	43
DRAM Address Conversion	112	P	
DRAM Configuration	105	Package Outlines	198
Graphics Pipeline	103	Package Specifications	195
Memory Array Configuration	104	Page Table Entry	73
Memory Cycles	115	palette lookup	166
Memory Organization	105	PCI Arbitration	164
Non-Auto LOI		PCI Configuration Registers	
1 DIMM Bank	114	Access Format	157
2 DIMM Banks	114	Bus	156
Page Miss	117	Cache Line Size (0Ch)	157
Processor Interface	103	Class Code (09h-0Bh)	157
SDRAM	104	CONFIG_ENABLE	156
SDRAM Commands	106	CONFIG_DATA 0CFCh-0CFFh	156
ACT	107	Device	156
MRS	106	Device Identification (02h-03h)	157
PRE	106	Device Status (06h-07h)	157
READ	107	Latency Timer (0Dh)	157
WRT	107	PCI Arbitration Control 1 (43h)	157
SDRAM Initialization Sequence	107	PCI Arbitration Control 2 (44h)	157
SDRAM Interface	103		

Index (Continued)

PCI Command (04h-05h)	157	Power, Ground, No Connect Signals	
PCI Control Function 1 (40h)	157	Ground (VSS)	32
PCI Control Function 2 (41h)	157	No Connect (NC)	32
Register	156	Power Connect (VCC2)	32
Revision Identification (08h)	157	Power Connect (VCC3)	32
Translation Type Bits 1		Voltage Detect(VOLDET)	32
0	156	Privilege Level Transfers	87
Vendor Identification (00h-01h)	157	Privilege Levels (CPL, DPL and RPL)	86
PCI Configuration Registers 0CF8h-0CFBh	156	Privilege Levels (I/O)	86
PCI Controller	155	Processor Core Instruction Set	212
CONFIG_ADDRESS	155	Clock Counts	212
Configuration Cycles	155	Flags	212
PCI Arbiter	155	Legend	212
Space Control Registers	156	Opcodes	212
Special Cycles	155	Processor Initialization	38
X-Bus PCI Master	155	Programming Interface	38
X-Bus PCI Slave	155	Protected Mode, Initialization and Transition	87
PCI Cycles	162	Protection	86
PCI Halt Command	164	Current Privilege Level (CPL)	86
PCI Interface Signals		Descriptor Privilege Level (DPL)	86
Frame	27	Requested Privilege Level (RPL)	86
Initiator Ready	27	Protection - V86 Mode	88
Lock Operation	28		
Multiplexed Address and Data	26	R	
Multiplexed Command and Byte Enables	26	Register Controls	38
Parity	26	Register Sets	40
Parity Error	28	Application	
Request Lines	28	Flags Register	40
Target Ready	27	General Purpose Register	40
Target Stop	27	Instruction Pointer Register	40
PCI Local Bus Specification	162	Segment Registers	40
PCI Read Transactions	162	Flags Register	43
PCI Special Cycle Command	164	General Purpose	40
PCI Write Transactions	163	Data Registers	40
PCR Performance Control Register Index 20h	50	Pointer and Index Registers	40
PERR	28	Instruction Pointer	42
Pixel Arrangement Within a DWORD	135	Selection Rules	42
Pointer and Index Registers		Model Specific Register	40
ECX Counter	40	System Register Set	40, 44
EDI Destination Pointer	40	Registers	
ESI Source Pointer	40	Application Register	40
ESP Register	40	Model Specific Register	59
PUSH and POP Instructions	40	REQ	28
Power and Ground Connections and Decoupling	182	RESET	38
Power Management	174	ROP (raster operation)	166
3-Volt Suspend Mode	174	Row Address Strobe	
Advanced Power Management (APM)	174	CAS	29
CPU Suspend Command Registers	174	CKE	29
Initiating Suspend with HALT	176	RAS	29
Initiating Suspend with SUSP	175	RASA	29
Processor Serial Bus	179	RASB	29
Responding to a PCI Access During Suspend Mode	177	WE	29
Serial Packet Transmission	179		
Stopping the Input Clock	178	S	
Suspend Mode and Bus Cycles	175	Scratchpad	
Suspend Modulation	174	2KB configurations	97
Power Management Registers	179	3KB configurations	97
PM_BASE (FFFF FF6Ch)	179	SMM information	97
PM_CNTRL_CSTP (8508h-850Bh)	179	Scratchpad RAM	97
PM_CNTRL_TEN (8504h-8507h)	179	SDRAM Clocks	
PM_MASK (FFFF FF7Ch)	179	SDCLK_IN	30
PM_SER_PACK (850Ch-850Fh)	179	SDCLK_OUT	30
PM_STAT_SMI (8500h-8503h)	179	Segment Register Selection Rules	42
Power Planes	36–37	Segment Registers	42
Power, Ground, No Connect		Serial Packet	
Ground (VSS)	32	CX5520	25

Index (Continued)

VSA	25	Debug Registers	47
Shutdown and Halt	86	Gate Descriptors	69
Signal Definitions	13–23	Task Register	69, 70
Signal Descriptions	24	System Registers	44–59
Cyril Internal Test and Measurement Signals	32	Configuration Registers	47
Memory Controller Interface Signals	29–30	Control Registers	45
PCI Interface Signals	26–29	Debug Registers	52
Power, Ground and No Connect Signals	32	Model Specific Register (MSR)	59
System Interface Signals	24–25	Segment Descriptor Table Registers	66
Video Interface Signals	30–31	Test Registers	54
Signals - INTR	74	T	
Signals - NMI	74	Task Gate Descriptors	70
Signals - SMM	74	Task Register (TR)	70
SIZE		Task State Segments	70
SMM Region Size Bits	51	Thermal Characteristics	195
Skip Counts	94	TR3 Register	57
SMAR		Cache Data	57
SMM Address Region Bits	51	TR4 Register	57
SMAR SMM Address Region Register Indices CDh, CEh, CFh	51	Dirty Bits	57
SMHR		LRU Bits	57
SMM Header Address	51	Upper Tag Address	57
SMHR SMI Header Address Indices B0h, B1h, B2h, B3h	50	Valid Bit	57
SMI		TR5 Register	57
Configuration Registers	80	Control Bits	57
Generation	83	Line Selection	57
SMI#	74, 75, 78	TR6 Register	55
pin	80	Command Bit	55
SMI# pin	174	Dirty Attribute Bit	55
SMM	78	Linear Address	55
CPU States	85	Valid Bit	55
Instructions	82	TR7 Register	55
Memory Space	83	LRU Bits	55
Memory Space Header	80	Physical Address	55
Operation	79	PL Bit	55
SMM Enhancements	79	Set Selection	55
SMM Events	80	Translation Lookaside Buffer	95
SMM Nested States	84	V	
SMM Nesting	83	V86 Mode	
SMM Service Routine Execution	83	Entering and Leaving	88
SMM# Pin	80	Interrupt Handling	88
Suspend Mode	85	Memory Addressing	88
Suspend Mode CPU States	85	VESA	165
SMM Memory Space Header Description	81	VGA Address Mapping	167
SPGA Pin Assignments by Pin Number	20	MapMask register	167
SPGA Pin Assignments by Signal Name	22	Miscellaneous Output register	167
SPGA Pin Assignments Diagram	19	VGA Configuration Registers	169
STOP	27	VGA Control Register (B9h)	169
Subsystem Signal Connections	34–35	VGA Mask Register (BAh-BDh)	169
Suspend	59, 85, 86	VGA Front End	166
Suspend Mode	25	VGA function	
System Error	28	attribute controller	166
NMI	28	CRT controller	166
System Interface Signals		frame buffer	166
Interrupt Request	25	general registers	166
Reset	24	graphics controller	166
Serial Packet	25	sequencer	166
Suspend Acknowledge	25	VGA Hardware	165, 168
Suspend Request	25	SMM Generation	168
System Clock	24	VGA Address Generator	168
System Management Interrupt	25	VGA Memory	168
System Management Interrupt (SMI#)	165	VGA Range Detection	168
System Register Set	44	VGA Sequencer	168
System Register Sets		VGA Write/Read Path	168
Cache Test Registers	56	VGA Memory	171
Configuration Registers	47		

Index (Continued)

frame buffer address	166
host address	166
refresh address	166
VGA Memory Addresses	169
VGA Memory Organization	166
VGA Range Detection	171
VGA Sequencer	171
VGA Video BIOS	171
VGA Video Refresh	168
All Points Addressable mode (APA)	168
attribute controller (ATTR)	168
CGA mode	168
Chain 4 mode	168
ClockSelect field	168
ColorPlaneEnable register	168
CRT controller (CRTC)	168
LineCompare register	168
Miscellaneous Output register	168
ShiftRegister field	168
VGA Write/Read Path	171
Video Data Bus	
VID_CLK	31
Video Interface Signals	
CRT Horizontal Sync	30
CRT Vertical Sync	31
Display Enable	31
Dotclock	30
Flat Panel Horizontal Sync	31
Flat Panel Vertical Sync	31
Graphics Pixel Data Bus	31
Pixel Port Clock	30
Video Clock	30
Video Data Bus	31
Video Ready	31
Video Valid	31
video refresh	166
Virtual 8086 Mode (V86)	88
Virtual Subsystem Architecture (VSA)	165
Virtual VGA	165
ColorCompare register	167
ColorDon'tCare register	167
Datapath Elements	167
read mode unit	167
write-mode unit	167
DataRotate register	167
ReadMapSelect register	167
SetReset register	167
SMI Generation	168
Virtual VGA Register Descriptions	172
Virtual VGA Registers	
GP_VGA_WRITE (8140h-8143h)	172
Virtual VGA Registers	
GP_VGA_BASE VGA (8210h-8213h)	172
GP_VGA_LATCH (8214h-8217h)	172
GP_VGA_READ (8144h-8147h)	172
X	
XpressAUDIO	165

LIFE SUPPORT POLICY

NATIONAL'S PRODUCTS ARE NOT AUTHORIZED FOR USE AS CRITICAL COMPONENTS IN LIFE SUPPORT DEVICES OR SYSTEMS WITHOUT THE EXPRESS WRITTEN APPROVAL OF THE PRESIDENT AND GENERAL COUNSEL OF NATIONAL SEMICONDUCTOR CORPORATION. As used herein:

1. Life support devices or systems are devices or systems which, (a) are intended for surgical implant into the body, or (b) support or sustain life, and whose failure to perform when properly used in accordance with instructions for use provided in the labeling, can be reasonably expected to result in a significant injury to the user.
2. A critical component is any component of a life support device or system whose failure to perform can be reasonably expected to cause the failure of the life support device or system, or to affect its safety or effectiveness.



National Semiconductor Corporation
Americas
Tel: 1-800-272-9959
Fax: 1-800-737-7018
Email: support@nsc.com

National Semiconductor Europe
Fax: +49 (0) 180-530 85 86
Email: europe.support@nsc.com
Deutsch Tel: +49 (0) 69 9508 6208
English Tel: +44 (0) 870 24 0 2171
Francais Tel: +33 (0) 1 41 91 8790

National Semiconductor Asia Pacific Customer Response Group
Tel: 65-2544466
Fax: 65-2504466
Email: ap.support@nsc.com

National Semiconductor Japan Ltd.
Tel: 81-3-5639-7560
Fax: 81-3-5639-7507

www.national.com