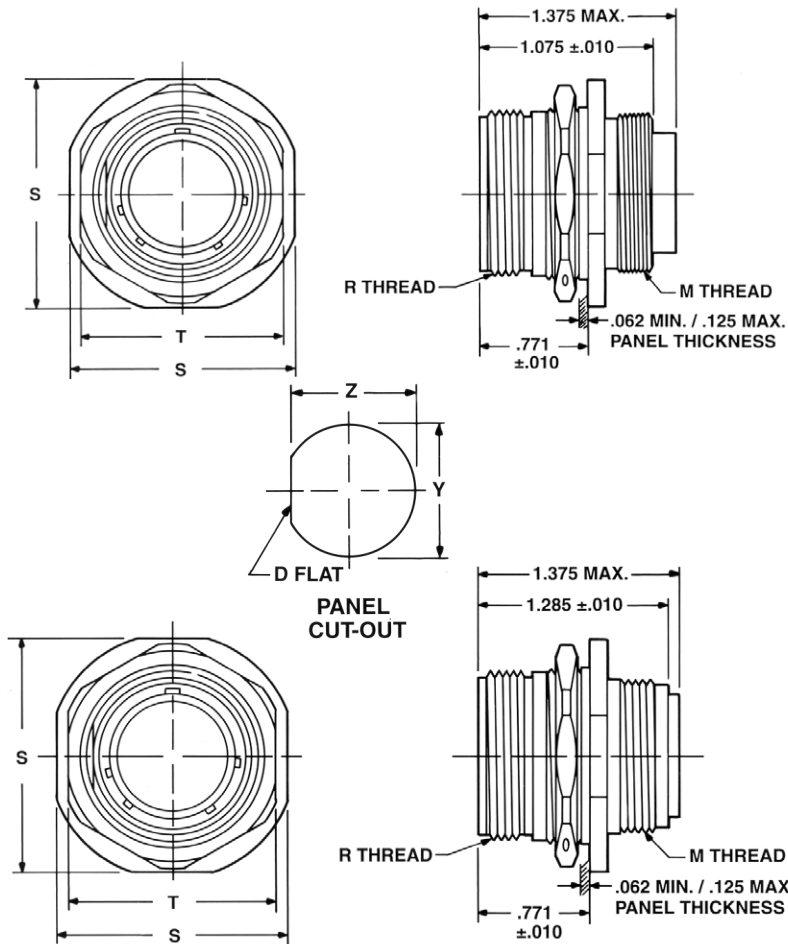


D-Hole Mounted Receptacle

aluminum/stainless steel
threaded coupling



STAINLESS STEEL
Pyle ZZY-RC-15XX* Series
MS24265EXXTXX*
Military Class E

ALUMINUM
Pyle ZZY-AC-15XX* Series
MS24265RXXTXX*
Military Class R

* To complete order number, see how to order, page 7.

| Shell Size | Cable Support Thread M | | Aluminum Connector Weight (lbs.) max including Contacts | | Coupling Thread R | Flange Width S ±.005 | Lock Nut Flats T | | Mounting Hole Dia. Y | Mounting Hole Flat Z | Rec. min. Torque Jam Nut Inch/Lbs. |
|------------|------------------------|------------------------|---|---------------|-------------------|----------------------|------------------|-------|----------------------|----------------------|------------------------------------|
| | Steel NS-2A | Alum. UNEF-2A Modified | Pin Insert | Socket Insert | | | Steel | Alum. | | | |
| 08 | NA | NA | NA | NA | NA | NA | NA | NA | NA | NA | NA |
| 10 | .563-36 | .562-24 | .049 | .050 | 1.171-24 | 1.104 | .937 | .937 | .760 | .730 | 36 |
| 12** | NA | .750-20 | .069 | .070 | .875-20 | 1.291 | 1.125 | 1.125 | .947 | .917 | 56 |
| 14 | .803-36 | .812-20 | .087 | .089 | .937-20 | 1.391 | 1.062 | 1.187 | 1.010 | .980 | 65 |
| 16 | .930-36 | .937-20 | .104 | .106 | 1.062-18 | 1.516 | 1.187 | 1.312 | 1.135 | 1.105 | 69 |
| 18 | 1.036-36 | 1.062-18 | .131 | .133 | 1.187-18 | 1.614 | 1.312 | 1.437 | 1.260 | 1.225 | 81 |
| 20 | NA | NA | .152 | .157 | NA | NA | NA | NA | NA | NA | 100 |
| 22 | 1.286-36 | 1.312-18 | .181 | .187 | 1.312-18 | 1.954 | 1.562 | 1.687 | 1.510 | 1.475 | 123 |
| 24 | 1.411-36 | 1.437-18 | .208 | .212 | NA | NA | NA | NA | NA | NA | 133 |
| 28 | NA | NA | NA | NA | NA | NA | NA | NA | NA | NA | NA |

NA designates not available. ** Not available in Stainless Steel.
All dimensions for reference only.