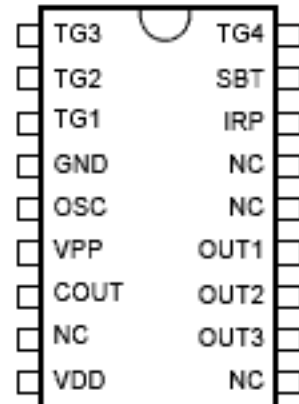


API8208G-8SECTION

Features :

- 2.4 ~ 5.5V single power supply operation
- 5 bit ASPCM Coding
- 20 seconds voice length at 6 KHZ
- Combination of voice building blocks
- 8 sections Max.
- Support voice recorded and melody (midi format)
- COUT (currents output) Connecting NPN transistor with speakers
- 3 programmable output pins for STP Stop Pulse , Busy Signal + and LED
- Available programming trigger choice: 1.High active
2.edge/level 3.hold/unhold 4. retrigger/in- retrigger



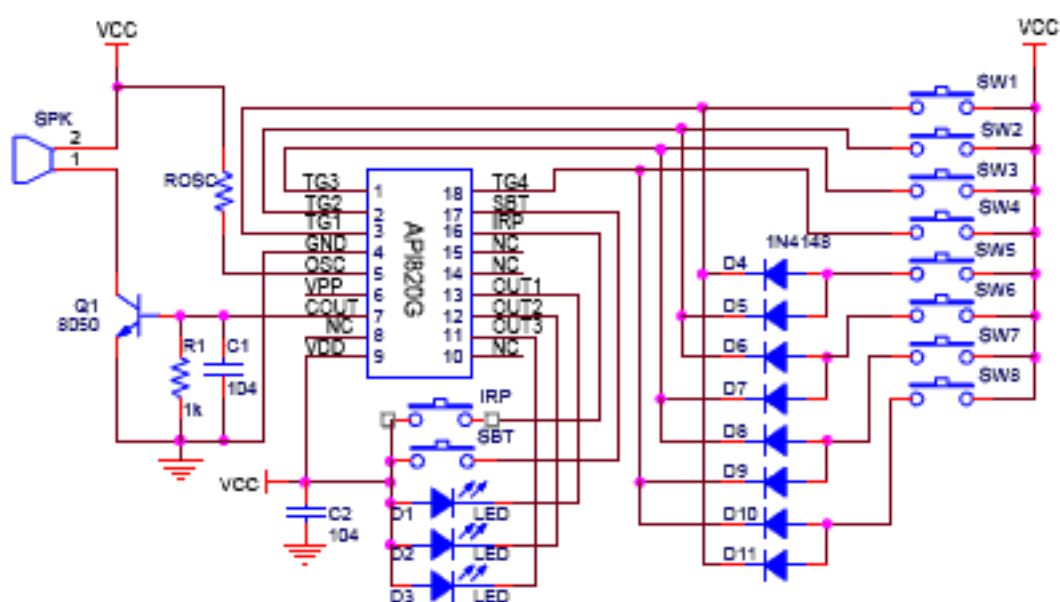
Pin Description : (300mil 18pin DIP)

Pin	Description	Function
1	TG3	Connecting DIP pin 1 to d-switch1 pin 3
2	TG2	Connecting DIP pin 2 to d-switch1 pin 2
3	TG1	Connecting DIP pin 3 to d-switch1 pin 1
4	GND	V -
5	OSC	Oscillator. Connect with 1 100K Ω resistance to vdd
6	VPP	Programming power pin
7	COUT	(current output)Connecting NPN transistor with speaker
8	NC	empty
9	VDD	V +
10	NC	empty
11	OUT3	Signal output 3. choosing 1.LED 2.BUSY 3.STOP
12	OUT2	Signal output 2. choosing 1.LED 2.BUSY 3.STOP
13	OUT1	Signal output 1. choosing 1.LED 2.BUSY 3.STOP
14	NC	empty
15	NC	empty
16	IRP	Voice interrupt pin. High active to interrupt playing
17	SBT	High active to play voice . Choosing: 1.sequence 2.succession
18	TG4	Connecting DIP pin 18 to d-switch1 pin 4

Section select :

section	1	2	3	4	5	6	7	8
	TG1	TG2	TG3	TG4	TG1+TG2	TG2+TG3	TG3+TG4	TG4+TG1
TG1~TG4	#8h	#4h	#2h	#1h	#Ch	#6h	#3h	#Ah

Applications circuits:



API820G DEMO BOARD

