

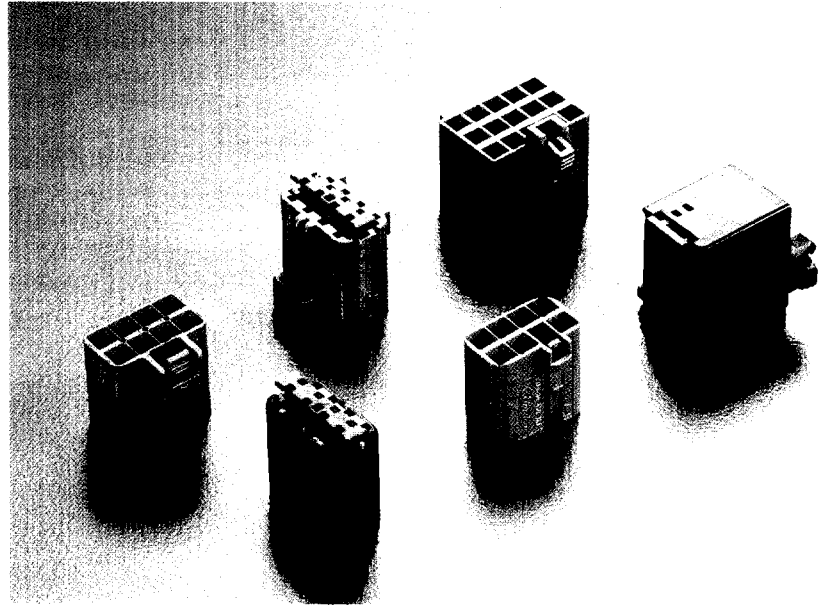
Component to wire connectors DCS-1



Switch housings for 2.8 mm terminals

Features

- 7-8-15 position housings available
- Additional terminal locking device pre-assembled on front part of the housing
- Plastic locking feature
- Mechanical polarization
- Several codings available
- Several colours available



Part Numbers	No. of Position	Terminal size	Coding	Colour
6 021 04 01	7	2.8 mm	None	Black
6 021 04 05	7	2.8 mm	None	Blue
6 021 04 06	7	2.8 mm	None	White
6 021 04 07	7	2.8 mm	None	Green
6 021 04 09	7	2.8 mm	None	Violet
6 021 10 15	8	2.8 mm	Key 5	Blue
6 021 10 16	8	2.8 mm	Key 4	White
6 021 10 17	8	2.8 mm	Key 3	Green
6 021 10 18	8	2.8 mm	Key 2	Green
6 021 10 19	8	2.8 mm	Key 1	Violet
6 022 03 01	15	2.8 mm	Key 5	Black
6 022 03 02	15	2.8 mm	Key 4	Brown
6 022 03 05	15	2.8 mm	Key 1	Blue
6 022 03 07	15	2.8 mm	Key 2	Green
6 022 03 08	15	2.8 mm	Key 3	Grey

Performance characteristics

- Temperature range :
from -40°C to +120°C
- Contact retention force : > 80 N
- Contact insertion force : < 15 N

Construction

- Housing material : PBT

Tooling

- Front device removal tool : 65900000
- Terminal removal tool : 65900100

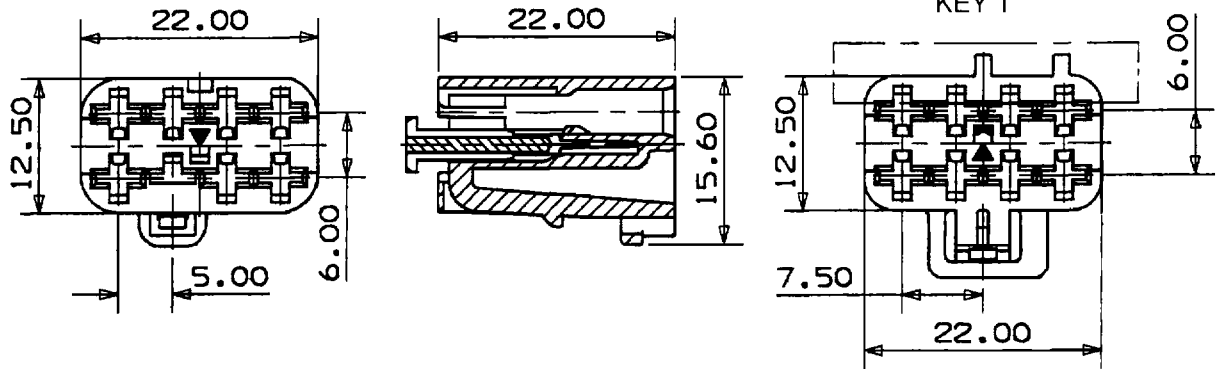
Connector compatibility

- Usable terminals :
 - DCS-1 2.8 mm female terminals (standard version)
 - DCS-1 2.8 mm female terminals (power version)

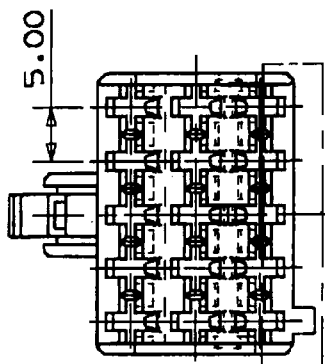
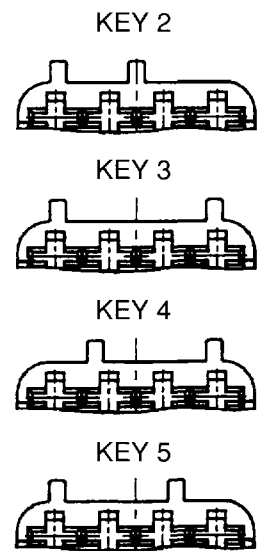
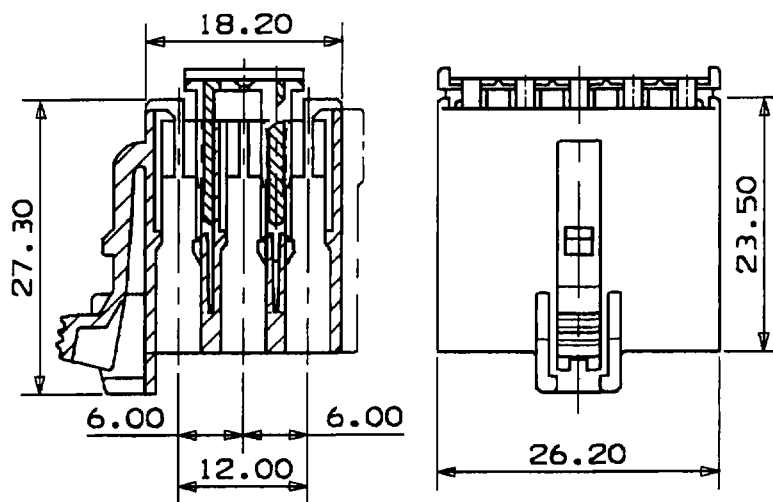
Component to wire connectors DCS-1

Dimensional characteristics

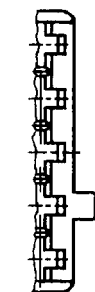
7/8 way housings



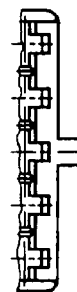
15 way housing



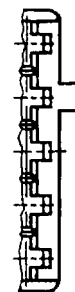
KEY 1



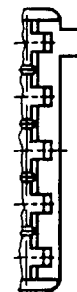
KEY 2



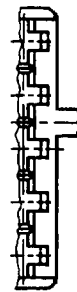
KEY 3



KEY 4



KEY 5



KEY 6