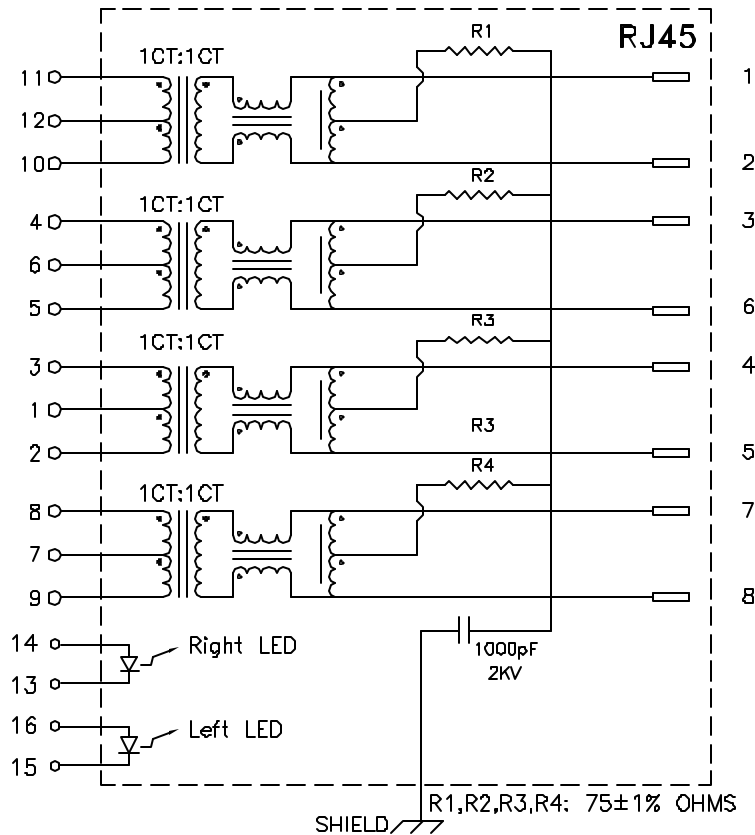


Schematic:



Electrical Specifications: @25°C

Isolation Voltage: 1500 Vrms @60Hz 1MIN

Common to Differential Mode Rejection: @300KHz-100MHz -35dB Min

Common to Common Mode Rejection: @300KHz-100MHz -30dB Min

Crosstalk: $-33+20\log(f/100\text{MHz})$ (1-100MHz -73dB -33dB Min)

Insertion Loss @0.3-100MHz -1.0dB Typ

@100MHz-125MHz -1.5dB Max

Return Loss: @0.5MHz-40MHz -18dB Min

@40MHz-100MHz $-12+20\log(f/80\text{MHz})$ Min

Complete the Combo P/N as follows:

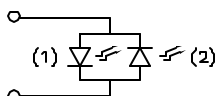
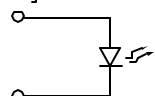
Replace 'x' & 'u' in the part number with one of the LED color letters:

Y=Yellow 'x' = Left LED Color
G=Green 'u' = Right LED Color
A=Amber
R=Red

C=Green(1)/Amber(2) Bicolor
D=Amber(1)/Green(2) Bicolor
M=Green(1)/Yellow(2) Bicolor
N=Yellow(1)/Green(2) Bicolor
P=Red(1)/Green(2) Bicolor
Q=Green(1)/Red(2) Bicolor

Single Color LED:

BI-Color LED:



Notes:

- Solderability: Leads shall meet MIL-STD-202G, Method 208H for solderability.
- Flammability: UL94V-0
- ASTM oxygen index: > 28%
- Insulation System: Class F 155°C, UL file E151558
- Operating Temperature Range: All listed parameters are to be within tolerance from -40°C to +85°C
- Storage Temperature Range: -55°C to +125°C
- Aqueous wash compatible
- Electrical and mechanical specifications 100% tested
- RoHS Compliant Component

DOC REV: A/11

XFMRs Inc.
www.XFMRs.com

Title: **Low Profile Gigabit COMBO**

UNLESS OTHERWISE SPECIFIED
TOLERANCES:
.xxx ±0.010

Dimensions in Inch

SHEET 1 OF 2

P/N: XFGIG12-CTLxu1-4 REV. A

DWN. Juan Mao Feb-12-08

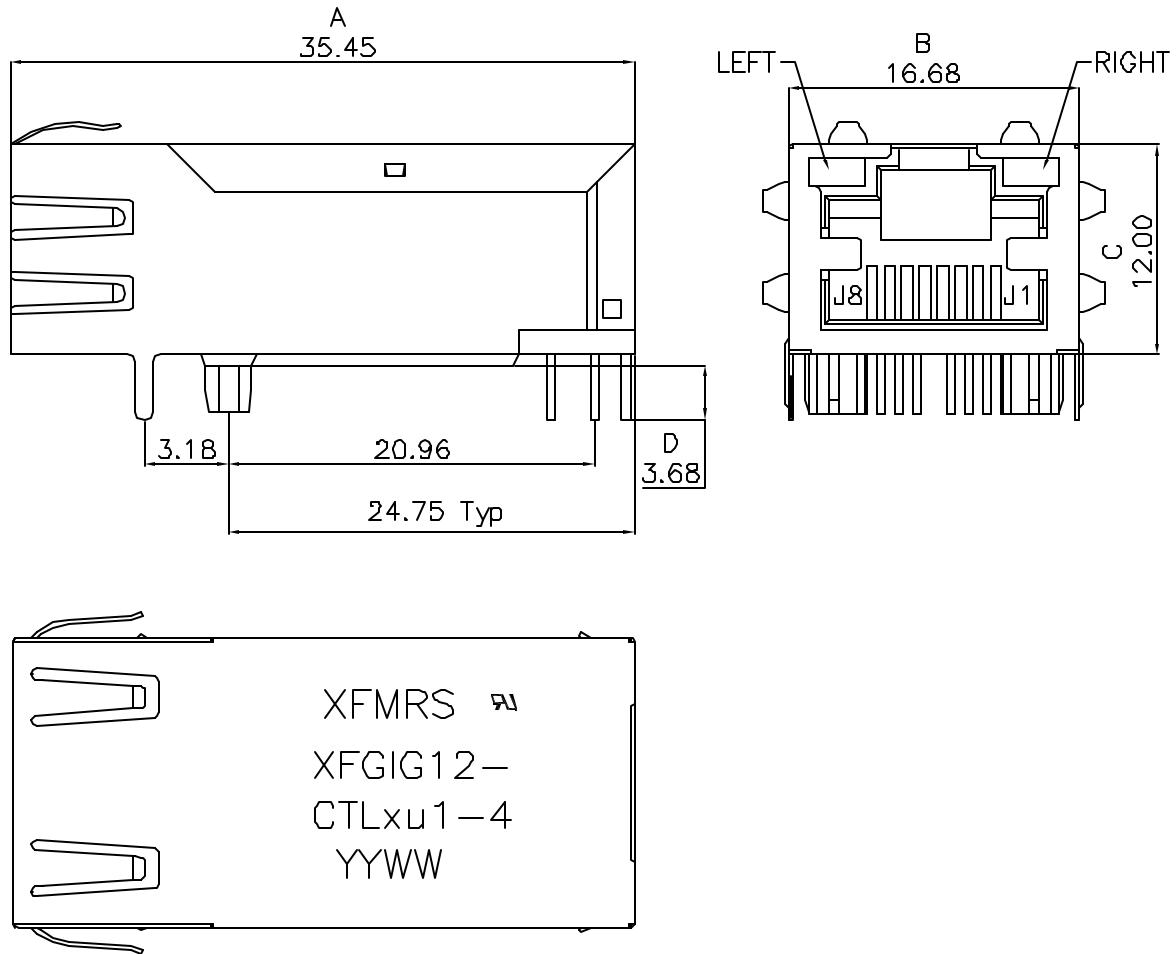
CHK. YK Liao Feb-12-08

APP. Joe Huff Feb-12-08

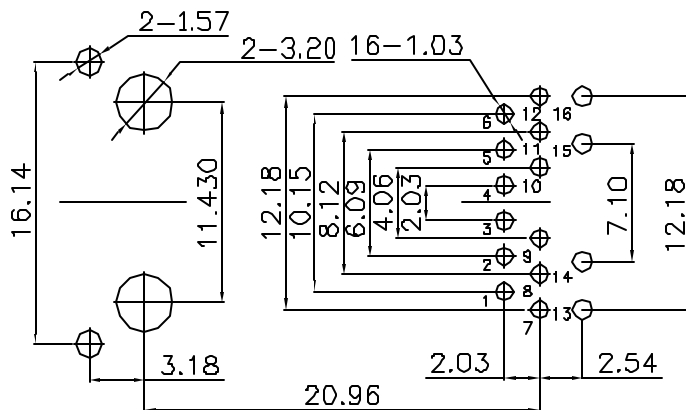
PROPRIETARY:

Document is the property of XFMRs Group & is not allowed to be duplicated without authorization.

Mechanical Dimensions:



Mounting Pattern:



DOC REV: A/11

XFMRS Inc. www.XFMRS.com	Title: Mechanical Dimensions For TAB UP RJ45 COMBO		
	UNLESS OTHERWISE SPECIFIED TOLERANCES: .xx ±0.25 Dimensions in MM	P/N: XFGIG12-CTLxu1-4	REV. A
	DWN.	Juan Mao	Feb-12-08
	CHK.	YK Liao	Feb-12-08
SHEET 2 OF 2	APP.	Joe Huff	Feb-12-08

PROPRIETARY:

Document is the property of XFMRS Group & is not allowed to be duplicated without authorization.