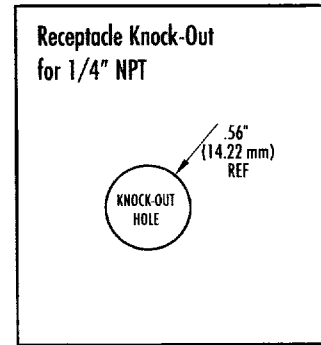
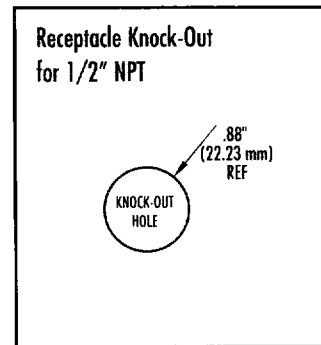
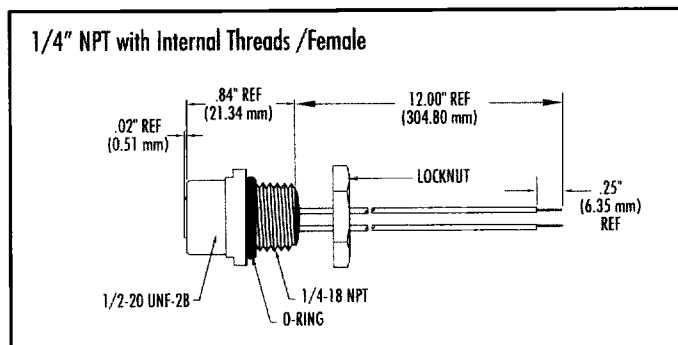
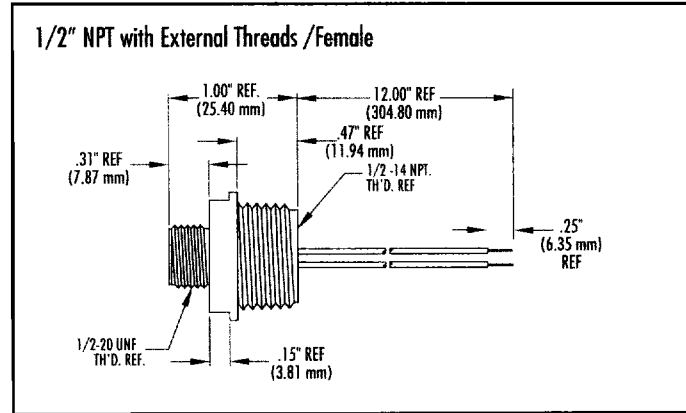
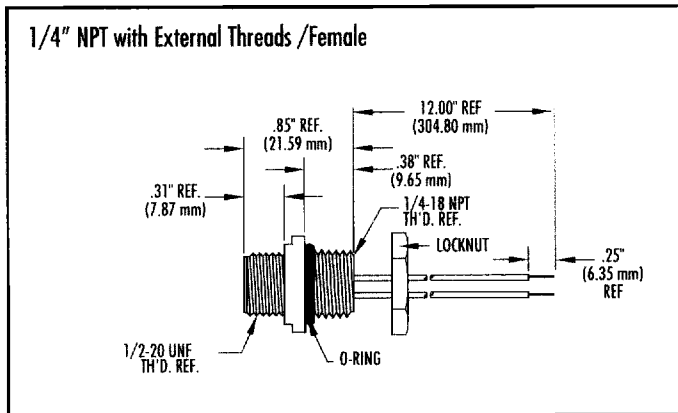
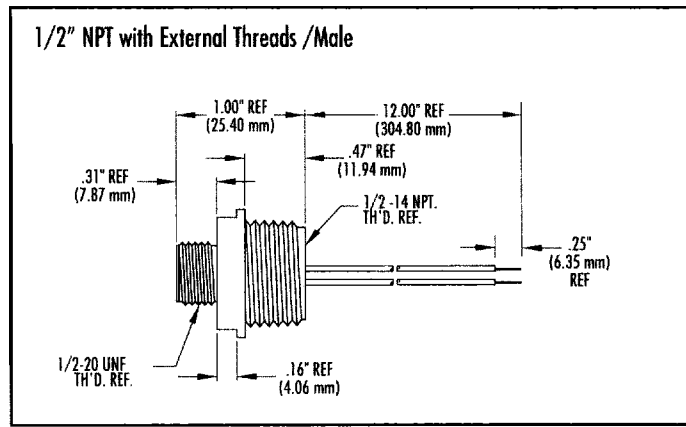
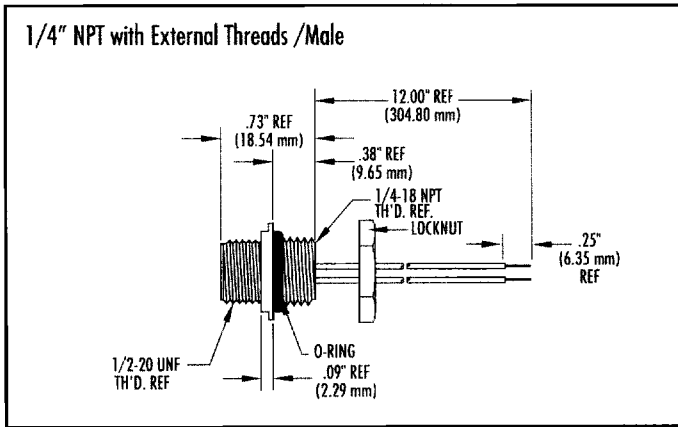


Micro-Change[®] Dual Keyway Receptacles

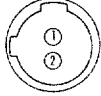

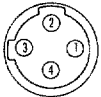
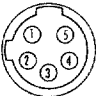
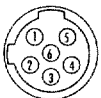
Product Specifications

| | |
|---|--|
| <p>MECHANICAL</p> <p>INSERT MATERIAL: NYLON SHELL MATERIAL: ANODIZED ALUMINUM CONTACT MATERIAL: COPPER ALLOY CONTACT PLATING: GOLD - 5μ IN. (MIN) PALLADIUM/NICKEL - 20μ IN. (MIN)</p> <p>WIRE TYPE(S): 22 AWG PVC INSULATED WIRE STRANDING: 26 X #36 O-RING: NITRILE RUBBER LOCKNUT: STEEL</p> <p>ELECTRICAL</p> <p>VOLTAGE RATING: 300VAC/300 VDC AMPERAGE: 4A CONTACT RESISTANCE: $\leq 5m\Omega$, (AFTER 100 MATE/UNMATE CYCLES - PER MIL STD. 1344, 3004.1) ISOLATION RESISTANCE: $\geq 1000M\Omega$</p> | <p>ENVIRONMENTAL PROTECTION: IP 68, NEMA 6P - PER NEMA STD. 250 AMBIENT OPERATING TEMP: -20° TO +80°C HIGH PRESSURE WATER SPRAY: 1000 PSI</p> <p>CERTIFICATIONS</p> <p>UL: UL LISTED, FILE NO. E155210 CSA: CSA CERTIFIED, FILE NO. LR6837 VDE: SPACINGS TO VDE 0110 GROUP C (250VAC/300VDC)</p> |
|---|--|



Micro-Change® Dual Keyway Receptacles

RECEPTACLES WITH 12" LEADS

| POLES | FACE VIEW MALE | WIRING CODE | 1/4" NPT WITH EXTERNAL THREADS | | 1/2" NPT WITH EXTERNAL THREADS | | 1/4" NPT FEMALE WITH INTERNAL THREAD |
|-------|---|--|--------------------------------|---------------|--------------------------------|---------------|--------------------------------------|
| | | | MALE | FEMALE | MALE | FEMALE | |
| 2 |  | 1-BROWN 2-BLUE | 7R2A06A19A120 | 7R2A04A19A120 | 7R2006A19A120 | 7R2004A19A120 | 7R2A00A19A120 |
| 3 |  | 1-GREEN (GND) 2-RED-BLK. TR. 3-RED WHT. TR. | 7R3A06A19A120 | 7R3A04A19A120 | 7R3006A19A120 | 7R3004A19A120 | 7R3A00A19A120 |
| 4 |  | 1-RED-BLK. TR. 2-RED-WHT. TR. 3-RED 4-GREEN (GND) | 7R4A06A19A120 | 7R4A04A19A120 | 7R4006A19A120 | 7R4004A19A120 | 7R4A00A19A120 |
| 5 |  | 1-RED-WHT. TR. 2-RED 3-GREEN (GND) 4-RED-YEL. TR. 5-RED-BLK. TR. | 7R5A06A19A120 | 7R5A04A19A120 | 7R5006A19A120 | 7R5004A19A120 | 7R5A00A19A120 |
| 6 |  | 1-RED-WHT. TR. 2-RED 3-GREEN (GND) 4-RED-YEL. TR. 5-RED-BLK. TR. 6-RED-BLU. TR. | 7R6A06A19A120 | N/A | 7R6006A19A120 | N/A | 7R6A00A19A120 |