



2N5401

PNP SILICON TRANSISTOR

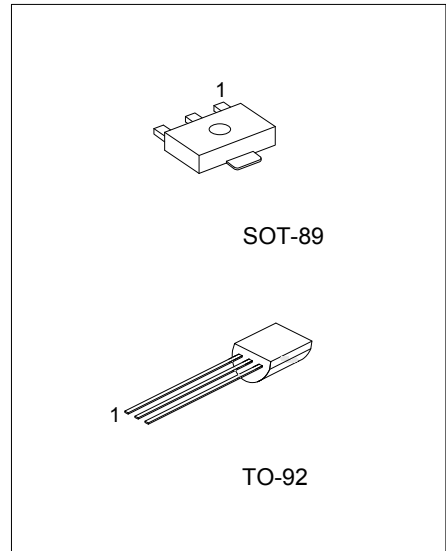
HIGH VOLTAGE SWITCHING TRANSISTOR

■ FEATURES

* Collector-emitter voltage:

$V_{CE0} = -150V$

* High current gain



■ ORDERING INFORMATION

Ordering Number		Package	Pin Assignment			Packing
Lead Free	Halogen Free		1	2	3	
2N5401L-x-AB3-R	2N5401G-x-AB3-R	SOT-89	B	C	E	Tape Reel
2N5401L-x-T92-B	2N5401G-x-T92-B	TO-92	E	B	C	Tape Box
2N5401L-x-T92-K	2N5401G-x-T92-K	TO-92	E	B	C	Bulk
2N5401L-x-T92-R	2N5401G-x-T92-R	TO-92	E	B	C	Tape Reel

<p>2N5401L-x-AB3-R</p> <p>(1)Packing Type (2)Package Type (3)Rank (4)Lead Free</p>	<p>(1) B: Tape Box, K: Bulk, R: Tape Reel (2) AB3: SOT-89, T92: TO-92 (3) x: refer to Classification of h_{FE} (4) G: Halogen Free, L: Lead Free</p>
--	---

■ ABSOLUTE MAXIMUM RATING (Ta=25°C , unless otherwise specified)

PARAMETER	SYMBOL	RATINGS	UNIT
Collector-Base Voltage	V_{CBO}	-160	V
Collector-Emitter Voltage	V_{CEO}	-150	V
Emitter-Base Voltage	V_{EBO}	-5	V
Collector Current	I_C	-600	mA
Collector Dissipation	TO-92	625	mW
	SOT-89	500	mW
Junction Temperature	T_J	+150	°C
Storage Temperature	T_{STG}	-55 ~ +150	°C

Note Absolute maximum ratings are those values beyond which the device could be permanently damaged. Absolute maximum ratings are stress ratings only and functional device operation is not implied.

■ ELECTRICAL CHARACTERISTICS (Ta=25°C, unless otherwise specified)

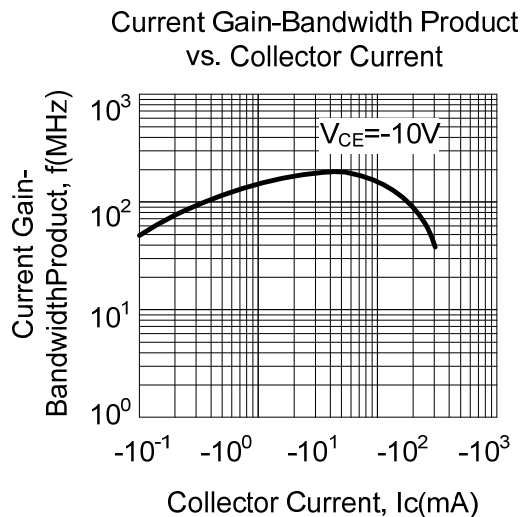
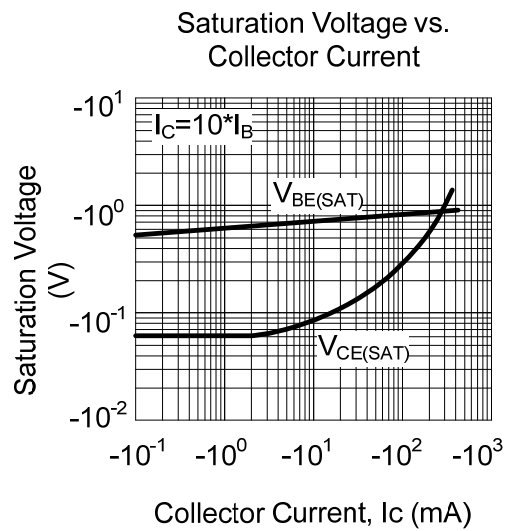
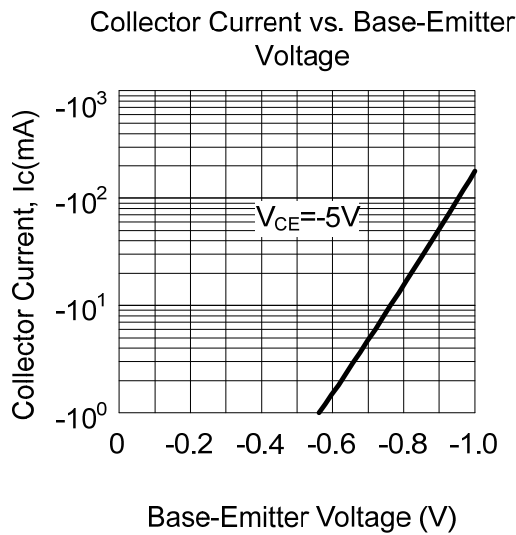
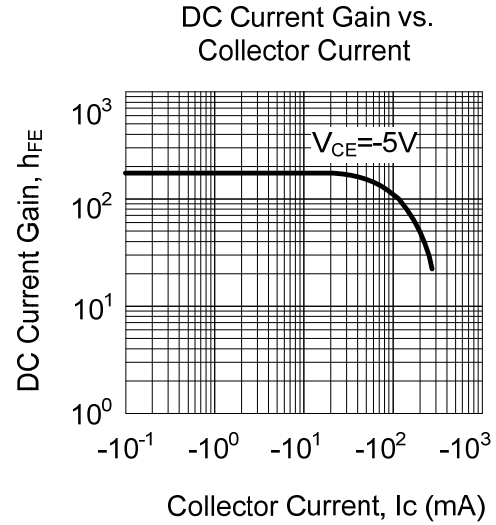
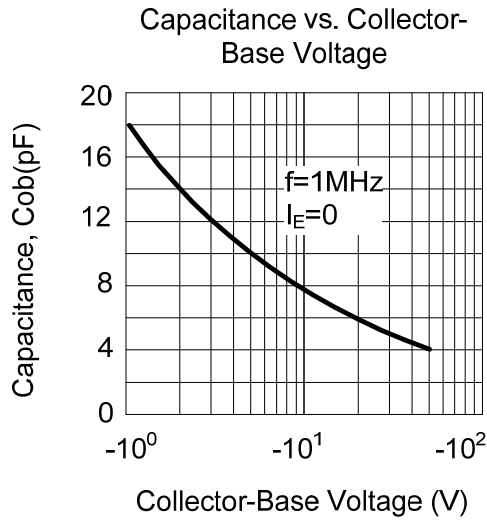
PARAMETER	SYMBOL	TEST CONDITIONS	MIN	TYP	MAX	UNIT
Collector-Base Breakdown Voltage	BV_{CBO}	$I_C = -100\mu A, I_E = 0$	-160			V
Collector-Emitter Breakdown Voltage	BV_{CEO}	$I_C = -1mA, I_B = 0$	-150			V
Emitter-Base Breakdown Voltage	BV_{EBO}	$I_E = -10\mu A, I_C = 0$	-5			V
Collector Cut-off Current	I_{CBO}	$V_{CB} = -120V, I_E = 0$			-50	nA
Emitter Cut-off Current	I_{EBO}	$V_{EB} = -3V, I_C = 0$			-50	nA
DC Current Gain (Note)	h_{FE1}	$V_{CE} = -5V, I_C = -1mA$	80		400	
	h_{FE2}	$V_{CE} = -5V, I_C = -10mA$	80			
	h_{FE3}	$V_{CE} = -5V, I_C = -50mA$	80			
Collector-Emitter Saturation Voltage	$V_{CE(SAT)}$	$I_C = -10mA, I_B = -1mA$ $I_C = -50mA, I_B = -5mA$			-0.2 -0.5	V
Base-Emitter Saturation Voltage	$V_{BE(SAT)}$	$I_C = -10mA, I_B = -1mA$ $I_C = -50mA, I_B = -5mA$			-1 -1	V
Current Gain Bandwidth Product	f_T	$V_{CE} = -10V, I_C = -10mA$ $f = 100MHz$	100		400	MHz
Output Capacitance	C_{OB}	$V_{CB} = -10V, I_E = 0, f = 1MHz$			6.0	pF
Noise Figure	NF	$I_C = -0.25mA, V_{CE} = -5V$ $R_S = 1k\Omega, f = 10Hz \sim 15.7kHz$			8	dB

Note: Pulse test: $P_W < 300\mu s$, Duty Cycle $< 2\%$

■ CLASSIFICATION OF h_{FE}

RANK	A	B	C
RANGE	80-170	150-240	200-400

TYPICAL CHARACTERISTICS



UTC assumes no responsibility for equipment failures that result from using products at values that exceed, even momentarily, rated values (such as maximum ratings, operating condition ranges, or other parameters) listed in products specifications of any and all UTC products described or contained herein. UTC products are not designed for use in life support appliances, devices or systems where malfunction of these products can be reasonably expected to result in personal injury. Reproduction in whole or in part is prohibited without the prior written consent of the copyright owner. The information presented in this document does not form part of any quotation or contract, is believed to be accurate and reliable and may be changed without notice.