

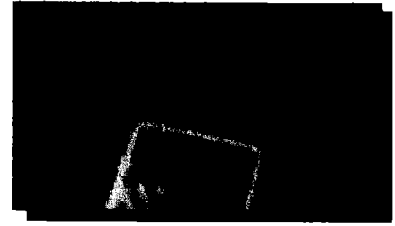
SERIES L11A, B, C

● FEATURES

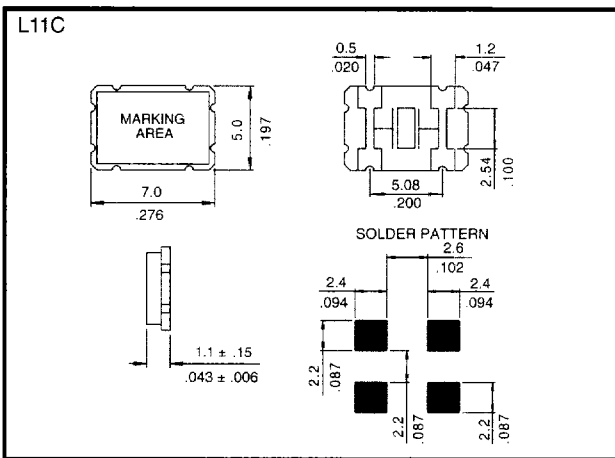
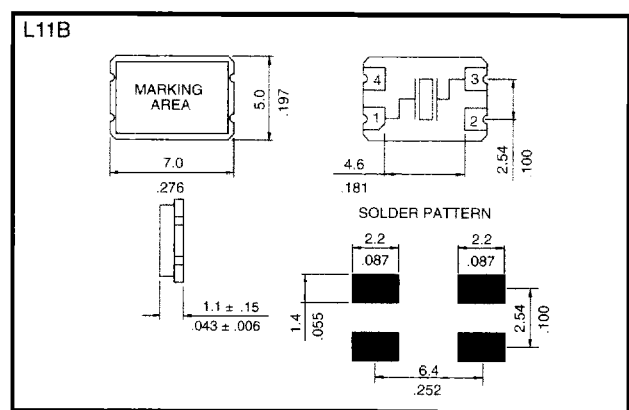
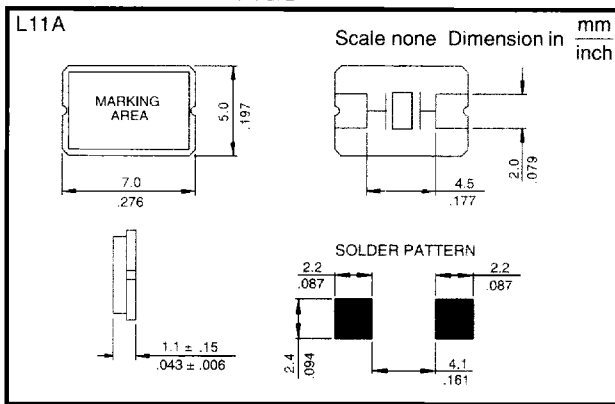
- 1.1 mm HEIGHT
- THREE (3) OPTIONAL FOOTPRINTS
- LOW COST AT CUT PERFORMANCE

● SPECIFICATIONS

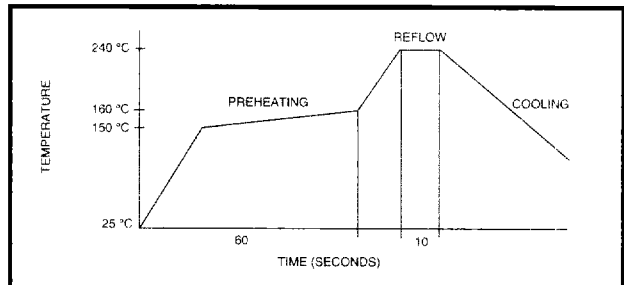
FREQUENCY RANGE	10.00 MHz TO 40.00 MHz (FUNDAMENTAL) 40.00 MHz TO 100.00 MHz (THIRD OVERTONE)
FREQUENCY TOLERANCE AT 25°C	±50PPM MAXIMUM (±30 PPM AVAILABLE)
FREQUENCY STABILITY OVER TEMPERATURE RANGE	±50PPM MAXIMUM (±30 PPM AVAILABLE)
OPERATING TEMPERATURE RANGE	-20°C TO +70°C STANDARD
AGING (FIRST YEAR)	±5 PPM MAXIMUM
STORAGE TEMPERATURE RANGE	-40°C TO +85°C
LOAD CAPACITANCE	10 pF TO 32 pF OR SERIES
SHUNT CAPACITANCE	7 pF MAXIMUM
EQUIVALENT SERIES RESISTANCE (ESR)	80 OHM MAXIMUM
DRIVE LEVEL	10 TO 100 μW
REFLOW CONDITIONS	240°C FOR 10 s MAXIMUM



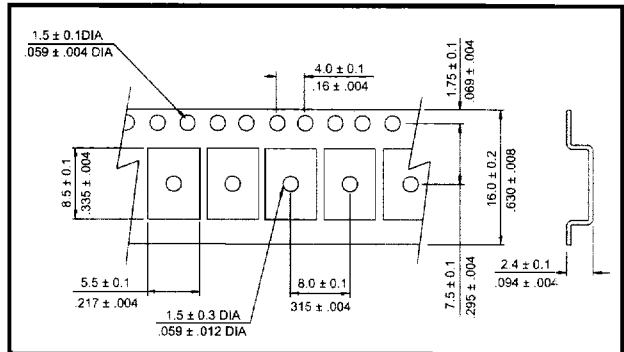
● OUTLINE DRAWINGS



● SOLDER REFLOW PROFILE



● CARRIER TAPE DIMENSIONS



● PACKAGING

180mm REEL DIAMETER, 16mm TAPE WIDTH, 8mm PITCH
QUANTITY: 1000 PIECES PER REEL

● PART NUMBERING SYSTEM

HOLDER TYPE	FREQUENCY	LOAD CAPACITANCE	MODE		TAPE AND REEL
L11A L11B L11C	IN MHZ	10 TO 32 pF FOR PARALLEL S FOR SERIES	FUND 3OT	FUNDAMENTAL THIRD OVERTONE	T

EXAMPLE: L11A-35.2512-18-T
L18B-48.000-20-3OT-T