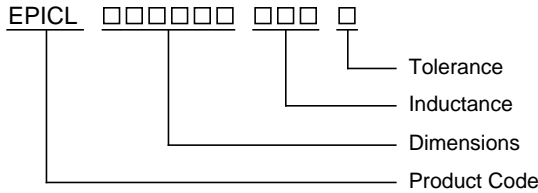


Applications :
Mother Boards, CD ROM, Hard Disk Drivers,
Wireless Phones, Pagers and other similar devices

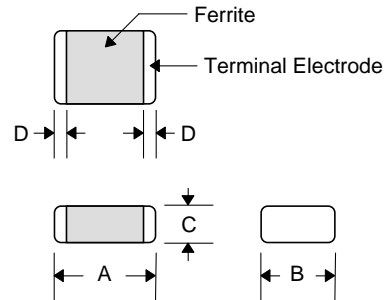
Specifications :
Operating/Storage Temperature : -55°C to +125°C
Terminal : Ag/Ni/Sn
Material : Ferrite

Product Identification



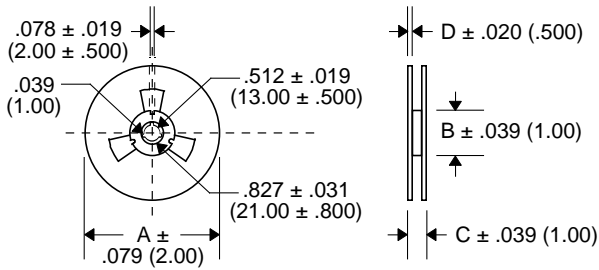
□ : Inductance Tolerance (G = 2%, J = 5%, K = 10%, M = 20%)

Shape and Dimension



Package Dimensions

Type	A Inches (mm)	B Inches (mm)	C Inches (mm)	D Inches (mm)
EPICL160808	.062 ± .008 (1.60 ± .200)	.031 ± .006 (.800 ± .200)	.031 ± .006 (.800 ± .200)	.011 ± .011 (.300 ± .300)
EPICL201209	.079 ± .008 (2.00 ± .200)	.047 ± .008 (1.20 ± .200)	.035 ± .008 (.900 ± .200)	.020 ± .011 (.500 ± .300)
EPICL201212	.079 ± .008 (2.00 ± .200)	.047 ± .008 (1.20 ± .200)	.047 ± .008 (1.20 ± .200)	.020 ± .011 (.500 ± .300)
EPICL321611	.126 ± .008 (3.20 ± .200)	.062 ± .008 (1.60 ± .200)	.043 ± .008 (1.10 ± .200)	.020 ± .011 (.500 ± .300)
EPICL322513	.126 ± .008 (3.20 ± .200)	.098 ± .008 (2.50 ± .200)	.051 ± .011 (1.30 ± .300)	.020 ± .011 (.500 ± .300)

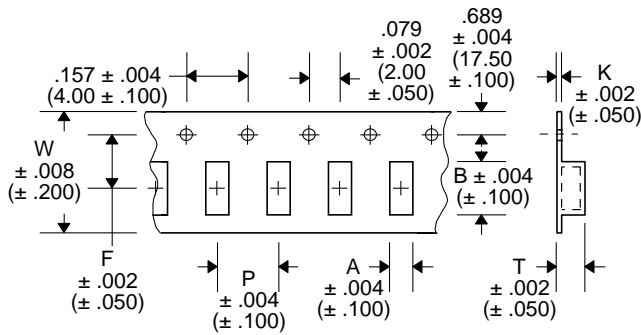


Reel Dimensions

Type	A Inches (mm)	B Inches (mm)	C Inches (mm)	D Inches (mm)	Chip/Reel Quantity
EPICL160808	7.00 (178)	2.95 (75)	0.492 (12.5)	0.078 (2)	4000
EPICL201209	7.00 (178)	2.95 (75)	0.492 (12.5)	0.078 (2)	4000
EPICL201212	7.00 (178)	2.95 (75)	0.492 (12.5)	0.078 (2)	2000
EPICL321611	7.00 (178)	2.95 (75)	0.492 (12.5)	0.078 (2)	3000
EPICL322513	7.00 (178)	2.95 (75)	0.492 (12.5)	0.078 (2)	2500

Tape Dimensions

Type	A Inches (mm)	B Inches (mm)	T Inches (mm)	W Inches (mm)	P Inches (mm)	F Inches (mm)	K Inches (mm)
EPICL160808	.042 (1.08)	.074 (1.15)	.041 (1.05)	.315 (8.00)	.157 (4.00)	.138 (3.50)	.008 (.200)
EPICL201209	.056 (1.42)	.088 (2.24)	.040 (1.04)	.315 (8.00)	.157 (4.00)	.138 (3.50)	.008 (.200)
EPICL201212	.059 (1.50)	.090 (2.30)	.063 (1.60)	.315 (8.00)	.157 (4.00)	.138 (3.50)	.008 (.200)
EPICL321611	.076 (1.94)	.139 (3.54)	.051 (1.29)	.315 (8.00)	.157 (4.00)	.138 (3.50)	.008 (.200)
EPICL322513	.110 (2.80)	.135 (3.42)	.065 (1.64)	.315 (8.00)	.157 (4.00)	.138 (3.50)	.008 (.200)



Electrical Characteristics

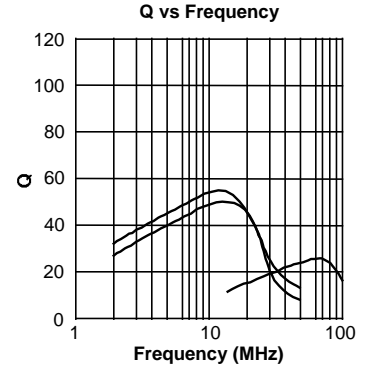
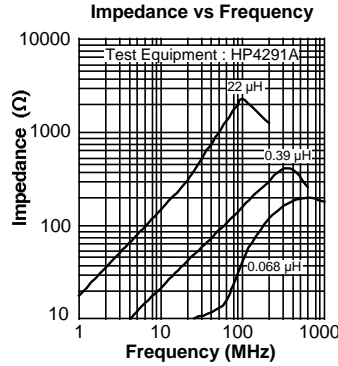
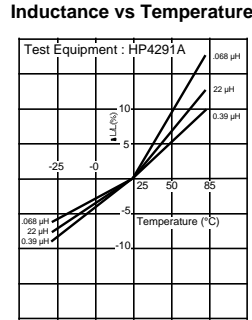
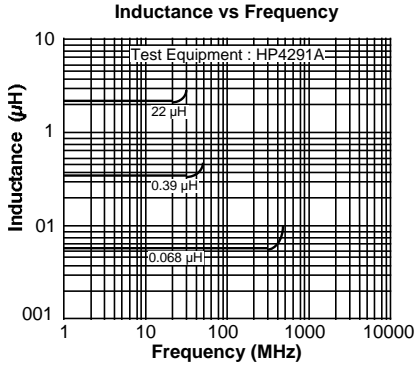
Part Number	Inductance (µH)	Q (Min.)	Test Frequency (MHz)	Self Resonant Frequency (MHz Min.)	DC Resistance RDC (Max.)	Rated Current IDC (mA Max.)
EPICL160808 □ 47NM □	0.047 ± 20%	10	50	260	0.30	50
EPICL160808 □ 68NM □	0.068 ± 20%	10	50	250	0.30	50
EPICL160808 □ 82NM □	0.082 ± 20%	10	50	250	0.30	50
EPICL160808 □ R10K □	0.10 ± 10%	15	25	240	0.50	50
EPICL160808 □ R12K □	0.12 ± 10%	15	25	205	0.50	50
EPICL160808 □ R15K □	0.15 ± 10%	15	25	180	0.60	50
EPICL160808 □ R18K □	0.18 ± 10%	15	25	165	0.60	50
EPICL160808 □ R22K □	0.22 ± 10%	15	25	150	0.80	50
EPICL160808 □ R27K □	0.27 ± 10%	15	25	136	0.80	50
EPICL160808 □ R33K □	0.33 ± 10%	15	25	125	0.85	35
EPICL160808 □ R39K □	0.39 ± 10%	15	25	110	1.00	35
EPICL160808 □ R47K □	0.47 ± 10%	15	25	105	1.35	35
EPICL160808 □ R56K □	0.56 ± 10%	15	25	95	1.55	35
EPICL160808 □ R68K □	0.68 ± 10%	15	25	80	1.70	35
EPICL160808 □ R82K □	0.82 ± 10%	15	25	75	2.10	35
EPICL160808 □ 1R0K □	1.0 ± 10%	30	10	70	0.60	25
EPICL160808 □ 1R2K □	1.2 ± 10%	30	10	60	0.80	25
EPICL160808 □ 1R5K □	1.5 ± 10%	30	10	55	0.80	25
EPICL160808 □ 1R8K □	1.8 ± 10%	30	10	50	0.95	25
EPICL160808 □ 2R2K □	2.2 ± 10%	30	10	45	1.15	15
EPICL160808 □ 2R7K □	2.7 ± 10%	30	10	40	1.35	15
EPICL160808 □ 3R3K □	3.3 ± 10%	30	10	38	1.55	15
EPICL160808 □ 3R9K □	3.9 ± 10%	30	10	36	1.70	15
EPICL160808 □ 4R7K □	4.7 ± 10%	30	10	33	2.10	15
EPICL160808 □ 5R6K □	5.6 ± 10%	30	4	22	1.55	15
EPICL160808 □ 6R8K □	6.8 ± 10%	30	4	20	1.70	15
EPICL160808 □ 8R2K □	8.2 ± 10%	30	4	18	2.10	15
EPICL160808 □ 100K □	10 ± 10%	30	2	17	2.55	15
EPICL160808 □ 120K □	12 ± 10%	30	1	15	2.75	15
EPICL160808 □ 150K □	15 ± 10%	20	1	14	1.70	15
EPICL160808 □ 180K □	18 ± 10%	20	1	13	1.85	15
EPICL160808 □ 220K □	22 ± 10%	20	1	11	2.15	15
EPICL160808 □ 270K □	27 ± 10%	20	1	10	2.75	15
EPICL160808 □ 330K □	33 ± 10%	20	1	9	2.95	15
EPICL201209 □ 47NM □	0.047 ± 20%	15	50	320	0.20	300
EPICL201209 □ 68NM □	0.068 ± 20%	15	50	280	0.20	300
EPICL201209 □ 82NM □	0.082 ± 20%	15	50	255	0.20	300
EPICL201209 □ R10K □	0.10 ± 10%	20	25	235	0.30	250
EPICL201209 □ R12K □	0.12 ± 10%	20	25	220	0.30	250
EPICL201209 □ R15K □	0.15 ± 10%	20	25	200	0.40	250
EPICL201209 □ R18K □	0.18 ± 10%	20	25	185	0.40	250
EPICL201209 □ R22K □	0.22 ± 10%	20	25	170	0.50	250
EPICL201209 □ R27K □	0.27 ± 10%	20	25	150	0.50	250
EPICL201209 □ R33K □	0.33 ± 10%	20	25	145	0.55	250
EPICL201209 □ R39K □	0.39 ± 10%	25	25	135	0.65	200
EPICL201209 □ R47K □	0.47 ± 10%	25	25	125	0.65	200
EPICL201209 □ R56K □	0.56 ± 10%	25	25	115	0.75	150
EPICL201209 □ R68K □	0.68 ± 10%	25	25	105	0.80	150
EPICL201209 □ R82K □	0.82 ± 10%	25	25	100	1.00	150
EPICL201209 □ 1R0K □	1.0 ± 10%	45	10	75	0.40	50
EPICL201209 □ 1R2K □	1.2 ± 10%	45	10	65	0.50	50
EPICL201209 □ 1R5K □	1.5 ± 10%	45	10	60	0.50	50
EPICL201209 □ 1R8K □	1.8 ± 10%	45	10	55	0.60	50
EPICL201209 □ 2R2K □	2.2 ± 10%	45	10	50	0.65	30
EPICL201212 □ 2R7K □	2.7 ± 10%	45	10	45	0.75	30
EPICL201212 □ 3R3K □	3.3 ± 10%	45	10	41	0.80	30
EPICL201212 □ 3R9K □	3.9 ± 10%	45	10	38	0.90	30
EPICL201212 □ 4R7K □	4.7 ± 10%	45	10	35	1.00	30
EPICL201212 □ 5R6K □	5.6 ± 10%	45	4	32	0.90	15
EPICL201212 □ 6R8K □	6.8 ± 10%	45	4	29	1.00	15
EPICL201212 □ 8R2K □	8.2 ± 10%	45	4	26	1.10	15
EPICL201212 □ 100K □	10 ± 10%	45	2	24	1.15	15
EPICL201212 □ 120K □	12 ± 10%	45	2	22	1.25	15
EPICL201212 □ 150K □	15 ± 10%	30	1	19	0.80	5
EPICL201212 □ 180K □	18 ± 10%	30	1	18	0.90	5
EPICL201212 □ 220K □	22 ± 10%	30	1	16	1.10	5
EPICL201212 □ 270K □	27 ± 10%	30	1	14	1.15	5
EPICL201212 □ 330K □	33 ± 10%	30	0.4	13	1.25	5

Electrical Characteristics

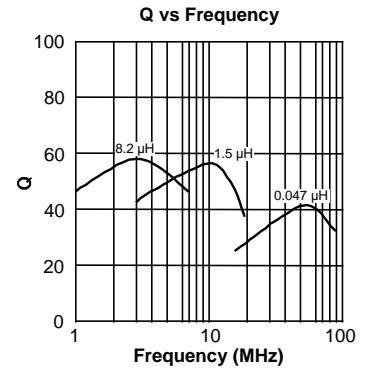
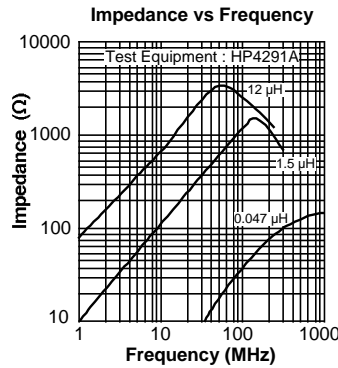
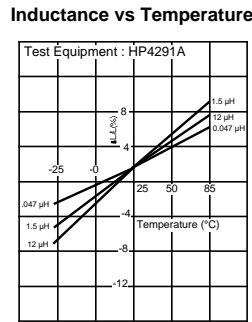
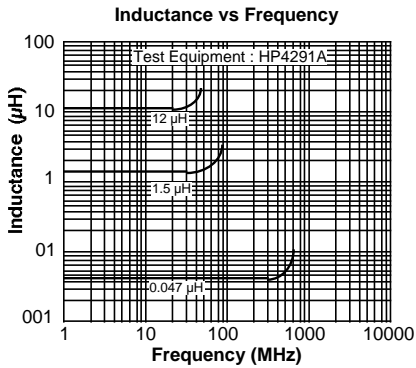
Part Number	Inductance (μH)	Q (Min.)	Test Frequency (MHz)	Self Resonant Frequency (MHz Min.)	DC Resistance RDC (Max.)	Rated Current IDC (mA Max.)
EPICL321611 □ 47NM □	0.047 ± 10%	20	50	320	0.15	300
EPICL321611 □ 68NM □	0.068 ± 10%	20	50	280	0.25	300
EPICL321611 □ 82NM □	0.082 ± 10%	20	50	260	0.25	300
EPICL321611 □ R10K □	0.10 ± 10%	20	25	135	0.25	250
EPICL321611 □ R12K □	0.12 ± 10%	20	25	220	0.30	250
EPICL321611 □ R15K □	0.15 ± 10%	20	25	200	0.30	250
EPICL321611 □ R18K □	0.18 ± 10%	20	25	185	0.40	250
EPICL321611 □ R22K □	0.22 ± 10%	20	25	170	0.40	250
EPICL321611 □ R27K □	0.27 ± 10%	20	25	152	0.50	250
EPICL321611 □ R33K □	0.33 ± 10%	20	25	145	0.50	250
EPICL321611 □ R39K □	0.39 ± 10%	25	25	135	0.60	250
EPICL321611 □ R47K □	0.47 ± 10%	25	25	125	0.60	200
EPICL321611 □ R56K □	0.56 ± 10%	25	25	115	0.70	200
EPICL321611 □ R68K □	0.68 ± 10%	25	25	105	0.80	150
EPICL321611 □ R82K □	0.82 ± 10%	25	25	100	0.90	150
EPICL321611 □ 1R0K □	1.0 ± 10%	45	10	75	0.40	100
EPICL321611 □ 1R2K □	1.2 ± 10%	45	10	65	0.50	100
EPICL321611 □ 1R5K □	1.5 ± 10%	45	10	60	0.50	50
EPICL321611 □ 1R8K □	1.8 ± 10%	45	10	55	0.50	50
EPICL321611 □ 2R2K □	2.2 ± 10%	45	10	50	0.60	50
EPICL321611 □ 2R7K □	2.7 ± 10%	45	10	45	0.60	50
EPICL321611 □ 3R3K □	3.3 ± 10%	45	10	41	0.70	50
EPICL321611 □ 3R9K □	3.9 ± 10%	45	10	38	0.80	50
EPICL321611 □ 4R7K □	4.7 ± 10%	45	10	35	0.90	50
EPICL321611 □ 5R6K □	5.6 ± 10%	50	4	32	0.70	25
EPICL321611 □ 6R8K □	6.8 ± 10%	50	4	29	0.80	25
EPICL321611 □ 8R2K □	8.2 ± 10%	50	4	26	0.90	25
EPICL321611 □ 100K □	10 ± 10%	50	2	24	1.00	25
EPICL321611 □ 120K □	12 ± 10%	50	2	22	1.05	15
EPICL321611 □ 150K □	15 ± 10%	35	1	19	0.70	5
EPICL321611 □ 180K □	18 ± 10%	35	1	18	0.70	5
EPICL321611 □ 220K □	22 ± 10%	35	1	16	0.90	5
EPICL321611 □ 270K □	27 ± 10%	35	1	14	0.90	5
EPICL321611 □ 330K □	33 ± 10%	35	0.4	13	1.05	5

Part Number	Inductance L (μH)	Q (Min.)	Test Frequency (MHz)	Self Resonant Frequency (MHz Min.)	DC Resistance (Max.)	Rated Current (mA Max.)
EPICL322513 □ R12 □	0.12 ± 10%	30	25.2	500	0.22	450
EPICL322513 □ R15 □	0.15 ± 10%	30	25.2	450	0.25	450
EPICL322513 □ R18 □	0.18 ± 10%	30	25.2	400	0.28	450
EPICL322513 □ R22 □	0.22 ± 10%	30	25.2	350	0.30	450
EPICL322513 □ R27 □	0.27 ± 10%	30	25.2	320	0.36	450
EPICL322513 □ R33 □	0.33 ± 10%	30	25.2	300	0.40	450
EPICL322513 □ R39 □	0.39 ± 10%	30	25.2	250	0.45	450
EPICL322513 □ R47 □	0.47 ± 10%	30	25.2	220	0.50	450
EPICL322513 □ R56 □	0.56 ± 10%	30	25.2	180	0.55	450
EPICL322513 □ R68 □	0.68 ± 10%	30	25.2	160	0.60	450
EPICL322513 □ R82 □	0.82 ± 10%	30	25.2	140	0.65	450
EPICL322513 □ 1R0 □	1.0 ± 10%	30	7.96	120	0.70	400
EPICL322513 □ 1R2 □	1.2 ± 10%	30	7.96	100	0.75	390
EPICL322513 □ 1R5 □	1.5 ± 10%	30	7.96	85	0.85	370
EPICL322513 □ 1R8 □	1.8 ± 10%	30	7.96	80	0.90	350
EPICL322513 □ 2R2 □	2.2 ± 10%	30	7.96	75	1.00	320
EPICL322513 □ 2R7 □	2.7 ± 10%	30	7.96	70	1.10	290
EPICL322513 □ 3R3 □	3.3 ± 10%	30	7.96	60	1.20	260
EPICL322513 □ 3R9 □	3.9 ± 10%	30	7.96	55	1.30	250
EPICL322513 □ 4R7 □	4.7 ± 10%	30	7.96	50	1.50	220
EPICL322513 □ 5R6 □	5.6 ± 10%	30	7.96	47	1.60	200
EPICL322513 □ 6R8 □	6.8 ± 10%	30	7.96	43	1.80	180
EPICL322513 □ 8R2 □	8.2 ± 10%	30	7.96	40	2.00	170
EPICL322513 □ 100 □	10 ± 10%	30	2.52	36	2.10	150
EPICL322513 □ 120 □	12 ± 10%	30	2.52	33	2.50	140
EPICL322513 □ 150 □	15 ± 10%	30	2.52	30	2.80	130
EPICL322513 □ 180 □	18 ± 10%	30	2.52	27	3.30	120
EPICL322513 □ 220 □	22 ± 10%	30	2.52	25	3.70	110
EPICL322513 □ 270 □	27 ± 10%	30	2.52	20	5.00	80
EPICL322513 □ 330 □	33 ± 10%	30	2.52	19	5.60	70

EPICL Series, 1608 Type Typical Electrical Characteristics



EPICL Series, 2012 Type Typical Electrical Characteristics



EPICL 3216 Series, 3225 Series Typical Electrical Characteristics

