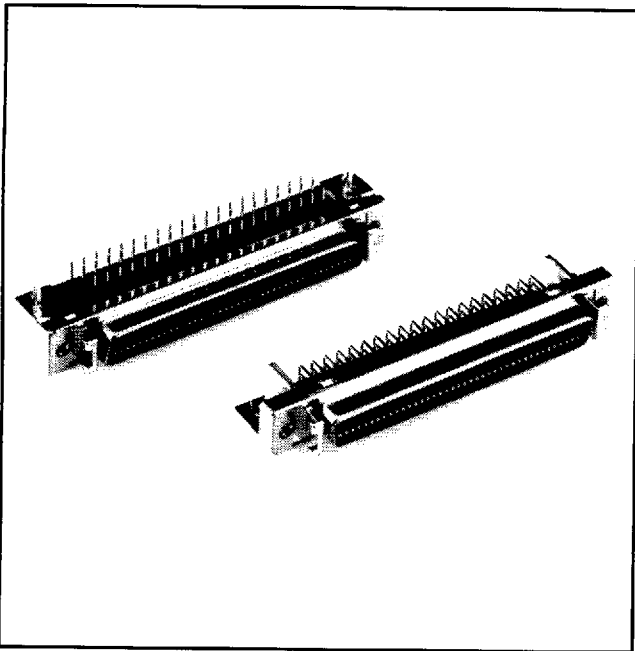


Mini D Ribbon Connectors

.050" Boardmount R.A. Receptacle, 50-100 Pos.

102XX-52XXVC Series



- Boardmount shielded I/O receptacle
- High performance insertion/withdrawal cycles
- Ribbon type contact — industry preferred
- Excellent EMI/ESD protection
- Available with ground lock feature
- Current rating 1 amp
- Easy to use latching system

135

TS-0557-03
Sheet 1 of 3

Physical

Insulation

Material: Glass Reinforced Polyester (PBT)

Flammability: UL 94V-0

Color: Black

Contact

Material: Copper Alloy (C521)

Plating

Underplate: 80 μ " (2.54 μ m) Nickel — QQ-N-290, Class 2

Wiping Area: 30 μ " (0.76 μ m) Min Gold — MIL-G-45204, Type II, Grade C

Body

Material: Zinc Alloy

Plating: Nickel

Shroud

Material: Steel

Plating: Nickel

Marking: 3M Logo and Part Identification Number

Electrical

Current Rating: 1 A

Insulation Resistance: $> 5 \times 10^8 \Omega$

Withstanding Voltage: 500 Vrms for 1 Minute

Environmental

Temperature Rating: -20°C to $+85^\circ\text{C}$

UL File No.: E68080

CSA File No.: LR 45751, LR 45300

3M Electronic Products Division

6801 River Place Blvd.
Austin, TX 78725-9000

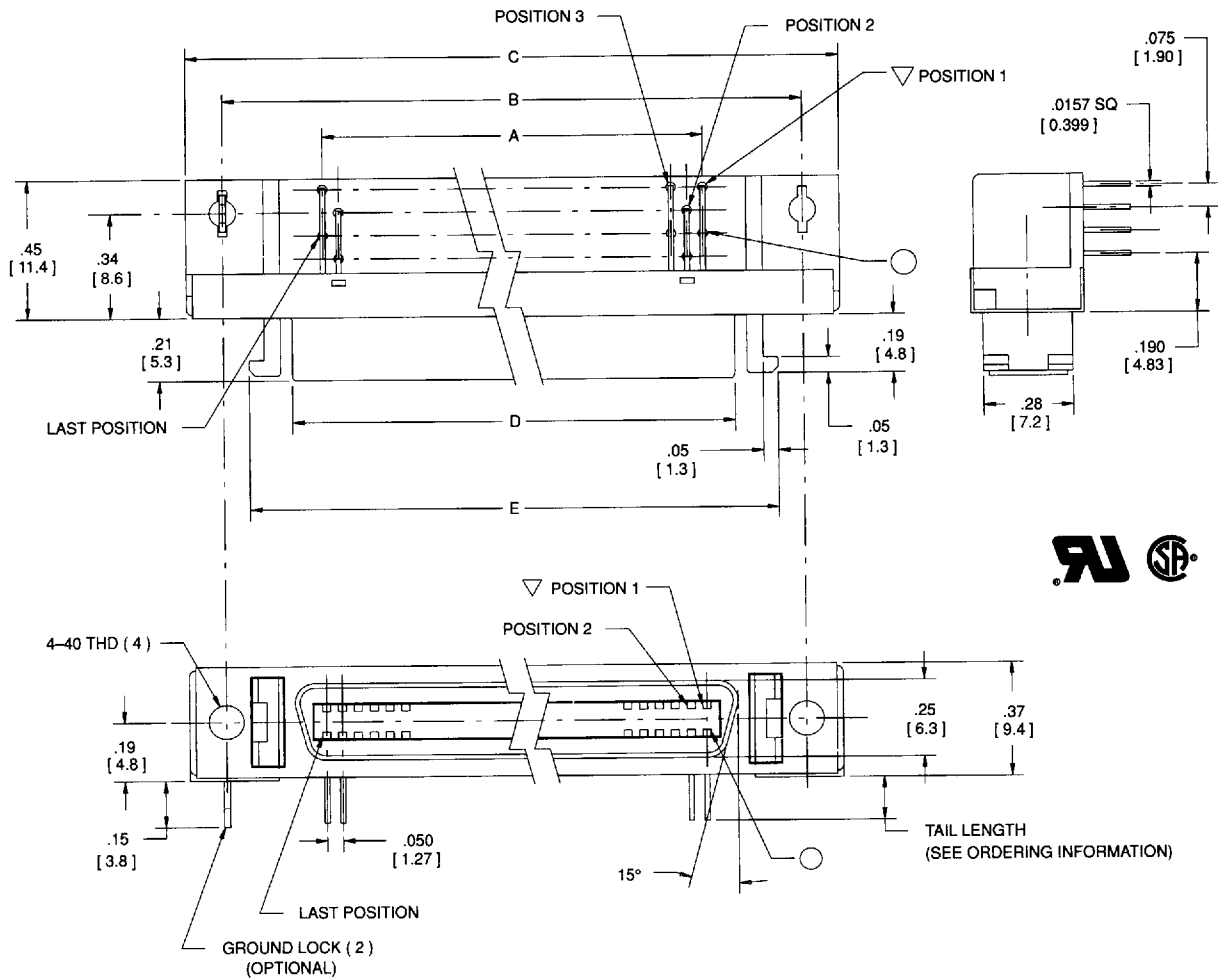
■ 9005413 0000376 674 ■

Mini D Ribbon Connectors

.050" Boardmount R.A. Receptacle, 50-100 Pos.

102XX-52XXVC Series

Sheet 2 of 3



TS-0557-03

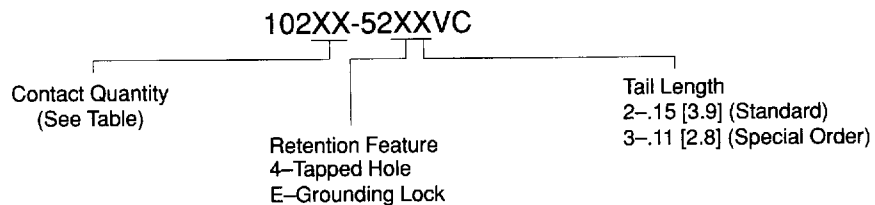
Inch
[mm]

Tolerance Unless Noted			
	.0	.00	.000
Inch	±.1	±.01	±.005

[] Dimensions for Reference Only

CONTACT QUANTITY	3M PART NUMBER	DIM. A	DIM. B	DIM. C	DIM. D	DIM. E
50	10250-52XXVC	1.200 [30.48]	1.83 [46.5]	2.06 [52.4]	1.40 [35.5]	1.67 [42.4]
68	10268-52XXVC	1.650 [41.91]	2.28 [57.9]	2.51 [63.8]	1.85 [46.9]	2.12 [53.8]
80	10280-52XXVC	1.950 [49.53]	2.58 [65.6]	2.81 [71.5]	2.15 [54.5]	2.42 [61.5]
100	102A0-52XXVC	2.450 [62.23]	3.08 [78.3]	3.31 [84.2]	2.65 [67.2]	2.92 [74.2]

Ordering Information



3M Electronic Products Division

9005413 0000377 500

6801 River Place Blvd.
Austin, TX 78725-9000

For technical, sales or ordering information call
800-225-5373

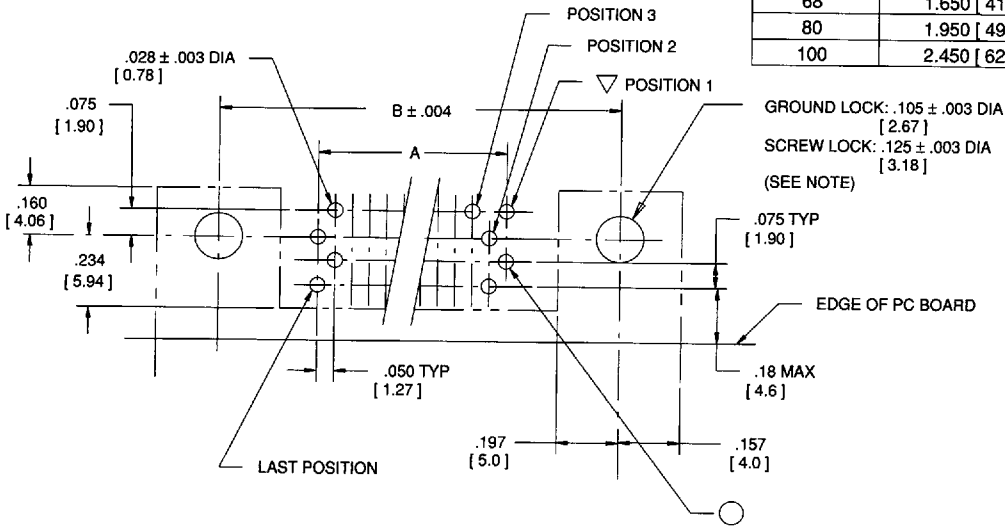
Mini D Ribbon Connectors

.050" Boardmount R.A. Receptacle, 50-100 Pos.

102XX-52XXVC Series

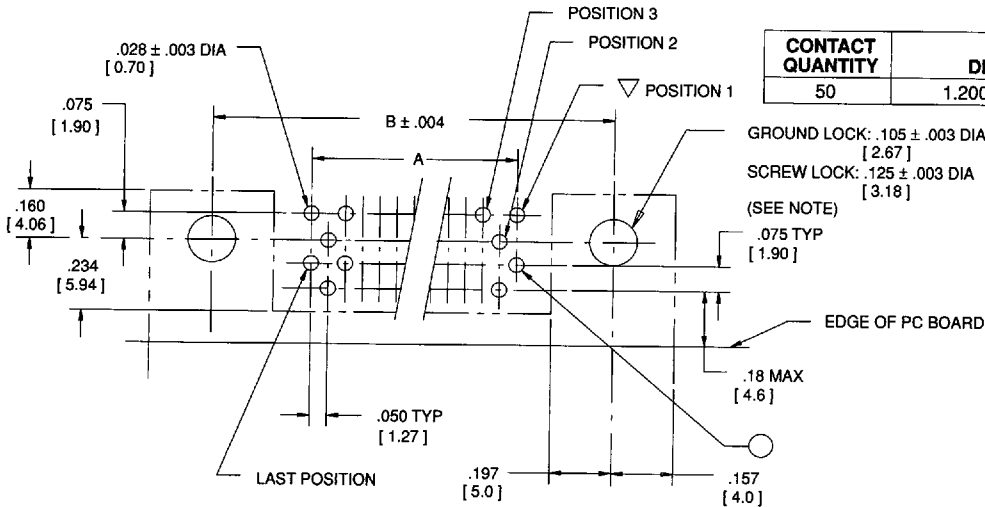
RECOMMENDED BOARD LAYOUT
VIEWED FROM CONNECTOR SIDE

CONTACT QUANTITY	DIM. A	DIM. B
68	1.650 [41.91]	2.281 [57.93]
80	1.950 [49.53]	2.581 [65.55]
100	2.450 [62.23]	3.081 [78.25]



GROUND LOCK: .105 ± .003 DIA [2.67]
SCREW LOCK: .125 ± .003 DIA [3.18]
(SEE NOTE)

CONTACT QUANTITY	DIM. A	DIM. B
50	1.200 [30.48]	1.831 [46.50]



GROUND LOCK: .105 ± .003 DIA [2.67]
SCREW LOCK: .125 ± .003 DIA [3.18]
(SEE NOTE)

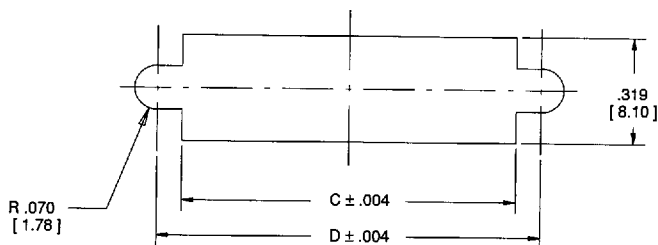
NOTE: PLATED THROUGH HOLES FOR .062" BOARD THICKNESS.

Inch
[mm]

Tolerance Unless Noted			
	.0	.00	.000
Inch	±.1	±.01	±.005

[] Dimensions for Reference Only

RECOMMENDED PANEL CUT-OUT



NOTE: PANEL THICKNESS .079 [2.00] MAX.

CONTACT QUANTITY	DIM. C	DIM. D
50	1.69 [42.8]	1.831 [46.50]
68	2.13 [54.2]	2.281 [57.93]
80	2.44 [61.9]	2.581 [65.55]
100	2.94 [74.6]	3.081 [78.25]

Sheet 3 of 3

TS-0557-03