

# SCHOTTKY LOW BARRIER DIODE

**DESCRIPTION:**

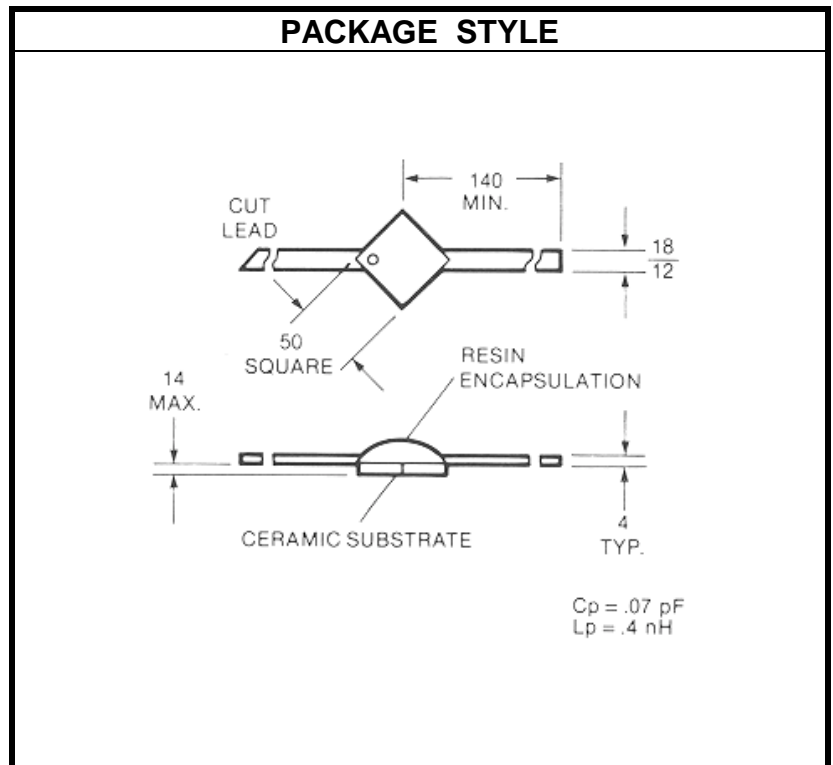
The **ASI 5082-2794** is a Low Barrier Schottky Diode designed for General Purpose Mixer Applications.

**FEATURES INCLUDE:**

- Small size
- Low noise figure

**MAXIMUM RATINGS:**

<b>P<sub>DISS</sub></b>	125 mW @ T <sub>A</sub> = 25 °C
<b>T<sub>J</sub></b>	-65 °C to +150 °C
<b>T<sub>STG</sub></b>	-65 °C to +150 °C
<b>θ<sub>JC</sub></b>	1000 °C/W


**CHARACTERISTICS** T<sub>C</sub> = 25 °C

SYMBOL	TEST CONDITIONS	MINIMUM	TYPICAL	MAXIMUM	UNITS
<b>NF</b>	DC Load Resistance = 0 Ω			6.0	<b>DB</b>
<b>Z<sub>IF</sub></b>	L.O. Power = 1.0 mW	150		350	<b>Ω</b>
<b>SRW</b>	I <sub>F</sub> = 30 MHz			1.5:1	<b>---</b>
<b>C<sub>J</sub></b>	V <sub>R</sub> = 0 V		0.18		<b>pF</b>
<b>TSS</b>	Zero Bias		-44		<b>dBm</b>
<b>γ</b>	P <sub>IN</sub> = -30 dBm		10		<b>mV/μW</b>
<b>R<sub>V</sub></b>	Video Bandwidth = 2.0 MHz f = 10 GHz		1.8		<b>MΩ</b>