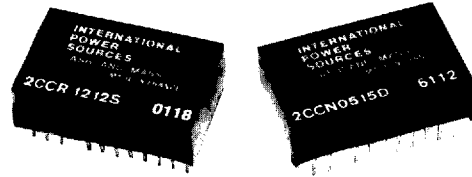


International Power Sources, Inc.

200 Butterfield Drive
Ashland, Massachusetts 01721
Tel. (508) 881-7434 Fax (800) 226-2100

DC/DC Converters



2CCN/2CCR SERIES 1 - 2 WATT HYBRID

FEATURES

- Input/Output Isolation
- Input π Filter
- Thick Film Construction
- Short Circuit Protection
- 80 kHz Switching
- Industry Standard Pinouts

ORDERING GUIDE

	MODEL	V _{IN}	V _{OUT} / I _{OUT}	POWER	PACKAGE*
Unregulated	2CCN 0505 S	5V	5V/200mA	1.0W	A
	2CCN 0509 S	5V	9V/250mA	2.2W	A
	2CCN 0512 S	5V	12V/80mA	1.0W	A
	2CCN 0515 S	5V	15V/65mA	1.0W	A
	2CCN 1205 S	12V	5V/200mA	1.0W	A
	2CCN 1209 S	12V	9V/250mA	2.2W	A
	2CCN 1212 S	12V	12V/80mA	1.0W	A
	2CCN 1215 S	12V	15V 65mA	1.0W	A
	2CCN 0512 D	5V	$\pm 12V / \pm 40mA$	1.0W	C
	2CCN 0515 D	5V	$\pm 15V / \pm 33mA$	1.0W	C
	2CCN 1212 D	12V	$\pm 12V / \pm 40mA$	1.0W	C
	2CCN 1215 D	12V	$\pm 15V / \pm 33mA$	1.0W	C
Regulated	2CCR 0505 S	5V	5V/100mA	0.5W	A/X
	2CCR 0512 S	5V	12V/100mA	1.2W	A/X
	2CCR 0515 S	5V	15V/100mA	1.5W	A/X
	2CCR 1205 S	12V	5V/100mA	0.5W	A/X
	2CCR 1212 S	12V	12V/100mA	1.2W	A/X
	2CCR 1215 S	12V	15V/100mA	1.5W	A/X
	2CCR 0512 D	5V	$\pm 12V / \pm 80mA$	2.0W	B/X
	2CCR 0515 D	5V	$\pm 15V / \pm 65mA$	2.0W	B/X
	2CCR 1212 D	12V	$\pm 12V / \pm 80mA$	2.0W	B/X
	2CCR 1215 D	12V	$\pm 15V / \pm 65mA$	2.0W	B/X

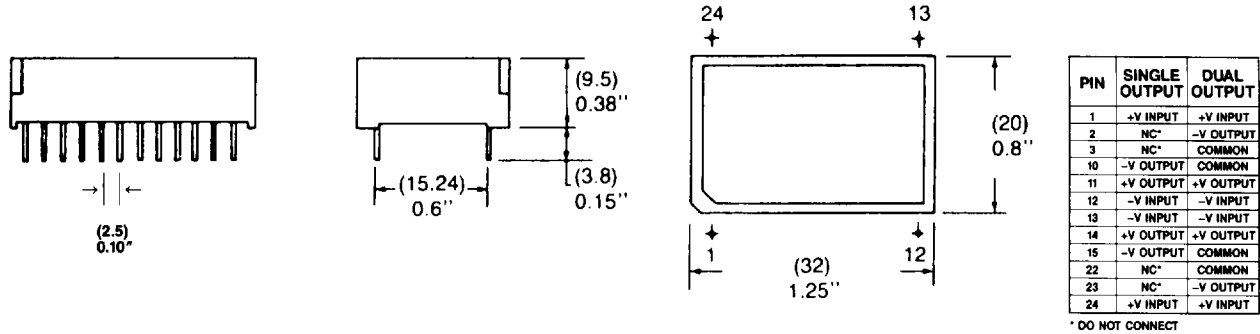
*Add suffix "X" to part number for 12 pin package.

Alternate Pinouts and Input Voltages Available on Request

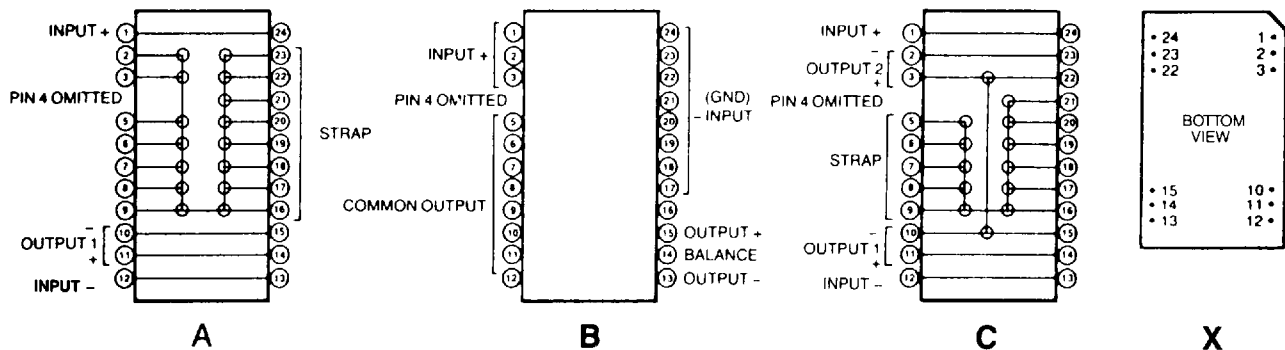
All specifications typical at nominal line, full load and 25°C

OUTPUT SPECIFICATIONS		2CCN	2CCR
Output Voltage Accuracy		±5%	
Line Regulation (Full Input Range)		1%/1% of Vin	.5%
Load Regulation (50% to 100% Load)	+20% to 0% (50% to 100% Load)		.5%
Ripple and Noise (DC-20MHz)		80mVpp*	50mVpp*
Short Circuit Protection		Continuous	
INPUT SPECIFICATIONS			
Input Voltage Range		±10%	
Input Filter		π Network	
GENERAL SPECIFICATIONS			
Switching Frequency		80 kHz	
Efficiency		70% typical	60% typical
Isolation Voltage		500VDC	
Isolation Resistance		100MΩ	
Weight		10 grams	
ENVIRONMENTAL SPECIFICATIONS			
Operating Temperature		-25°C to +71°C	
Storage Temperature		-50°C to +125°C	

*Reduced to 20 mVpp with 15μF Tantalum Capacitor Across Outputs



TOP VIEW



NOTES

1. Dual output can be used for 24 or 30 volt output

Dimensions in inches (mm)
Specifications subject to change