

2SA1672

Silicon PNP Epitaxial Planar

☆ Complement to type 2SC4387

Application Example:
Audio and General Purpose

● Outline Drawing 5 FM100

Absolute Maximum Ratings (Ta=25°C)

Symbol	2SA1672	Unit
V _{CB0}	-140	V
V _{CE0}	-140	V
V _{EB0}	-6	V
I _C	-10	A
I _B	-4	A
P _C	80 (T _C = 25°C)	W
T _j	150	°C
T _{stg}	-55~+150	°C

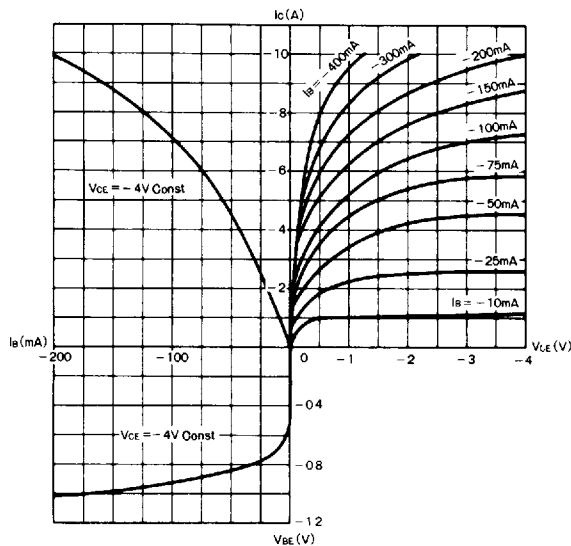
Electrical Characteristics (Ta=25°C)

Symbol	Conditions	2SA1672	Unit
I _{CB0}	V _{CB} = -140V	--10max	μA
I _{EB0}	V _{EB} = -6V	--10max	μA
V _{(BR)CEO}	I _C = -50mA	--140min	V
h _{FE}	V _{CE} = -4V, I _C = -3A	50min	
V _{CE(sat)}	I _C = -5A, I _B = -0.5A	--2.0max	V
f _T	V _{CE} = -12V, I _E = 0.5A	20typ	MHz

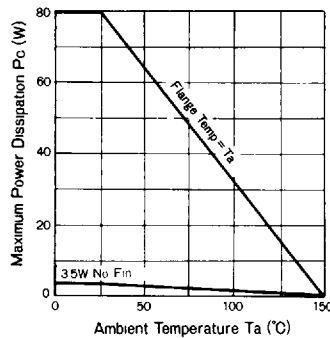
Typical Switching Characteristics (Common Emitter)

V _{CC} (V)	R _L (Ω)	I _C (A)	V _{BB1} (V)	V _{BB2} (V)	I _{B1} (A)	I _{B2} (A)	t _{on} (μs)	t _{stg} (μs)	t _r (μs)
-60	12	-5	-10	5	-0.5	0.5	0.3typ	0.9typ	0.2typ

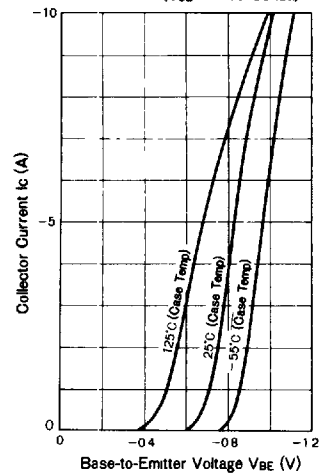
Common Emitter Characteristics (Typical Value)



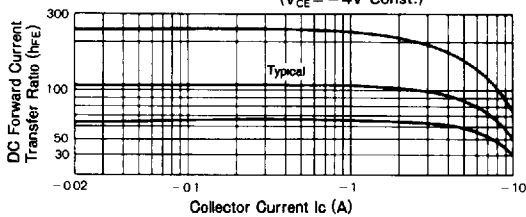
Power Derating



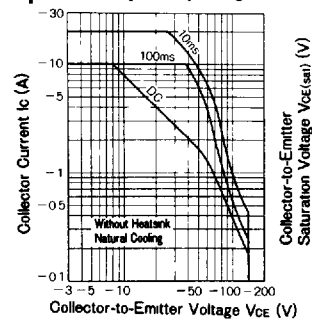
Temperature Characteristics (V_{CE} = -4V Const.)



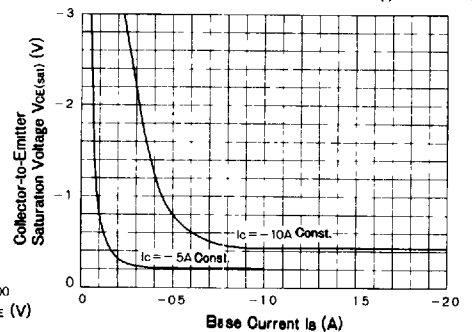
DC Current Gain Characteristics (V_{CE} = -4V Const.)



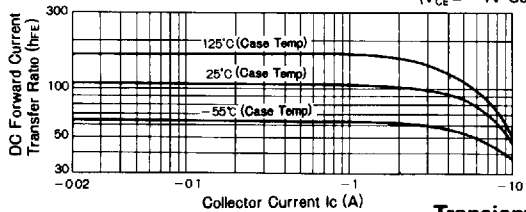
Maximum Areas For Safe Operation (ASO) (Single Pulse)



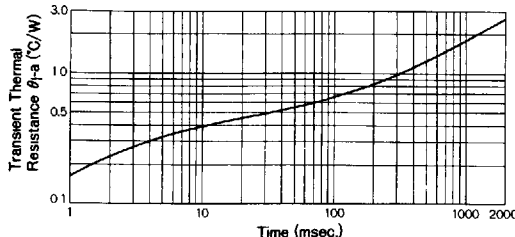
V_{CE(sat)} - I_B Characteristics (Typical Value)



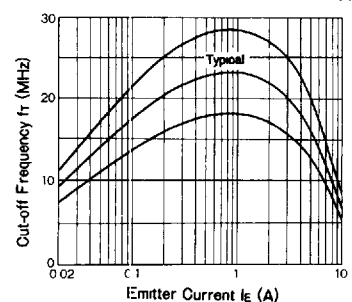
DC Current Gain Temperature Characteristics (V_{CE} = -4V Const.)



Transient Thermal Resistance Characteristics



Frequency Characteristics (V_{CE} = -12V Const.)



T-91-20

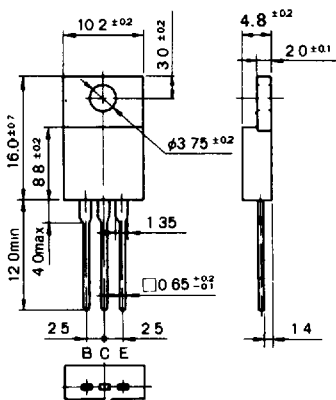
Outline Drawings/Accessories

Outline Drawing

- Nonflammability: UL94V-0 or equivalent
- Unit: in mm

Outline Drawing 1

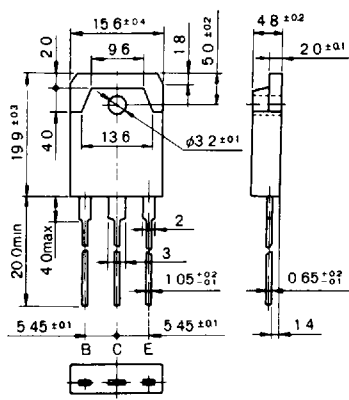
MT-25(T0220)



Weight: Approx. 2.6g

Outline Drawing 2

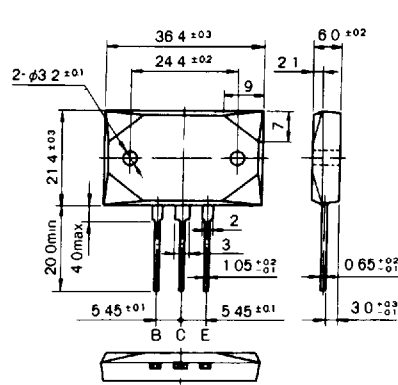
MT-100(T03P)



Weight: Approx. 6.0g

Outline Drawing 3

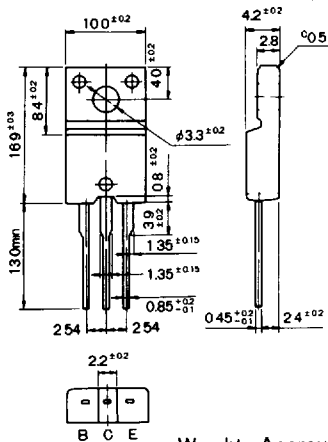
MT-200



Weight: Approx. 18.4g

Outline Drawing 4

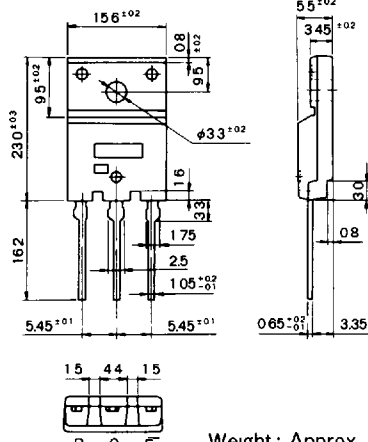
FM20
(Full Mold)



Weight: Approx. 2.0g

Outline Drawing 5

FM100
(Full Mold)



Weight: Approx. 6.5g

Accessories

☆Sanken Transistors do not include accessories. Accessories may be attached at a cost if requested.

☆Sanken transistor case is a standard size, and can replace any generally sold product.

- Heatsink: Mica, with a thickness of 0.06 mm, +0.045 -0.005 allowance

- Insulation Bush for MT-25(T0220)

Type Name: Molded (10) Mica Type Name: Molded (14) Mica Type Name: Molded (9) Mica

