

4002 SERIES

FEATURES

- Designed to Meet MIL-E-5400 Class 3
- SMA Female Connectors per MIL-PRF-39012
- High Isolation Wilkinson Circuit Design

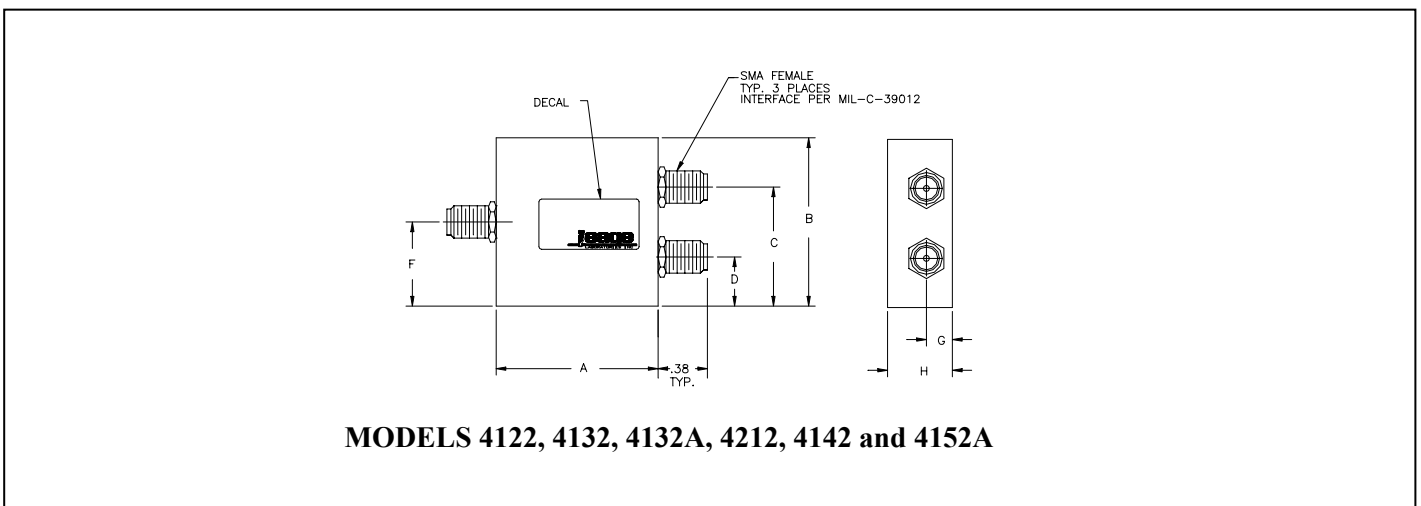
SPECIFICATIONS

Frequency Range GHz	Insertion Loss max (dB) @ f (GHz)	VSWR max Input/Output	Isolation min (dB)	Amplitude Unbalance max (dB)	Phase Unbalance max (Degrees)	Average Power ¹ (W) @ 1 GHz	Model
1-2	0.3	1.35/1.35	20	0.2	2	15	4122
2-4	0.3	1.35/1.35	20	0.2	3	5	4132
2.3-4.4	0.4	1.25/1.30	20	0.2	3	2	4132A
3.7-4.2	0.4	1.25/1.30	20	0.2	3	2	4212
4-8	0.4	1.35/1.35	20	0.3	3	2	4142
7.2-10.8	0.6	1.50/1.35	20	0.4	4	2	4152A
2-18	(Note 2)	1.50/1.40	17 (2-3 GHz) 20 (3-5 GHz) 24 (5-18 GHz)	0.2	2 (2-3 GHz) 3 (3-5 GHz) 5 (5-18 GHz)	5	4232

NOTES:

1. Input power with 1.5 max output systems VSWR.
2. $0.6 + .07 \times f$ (GHz) dB max.

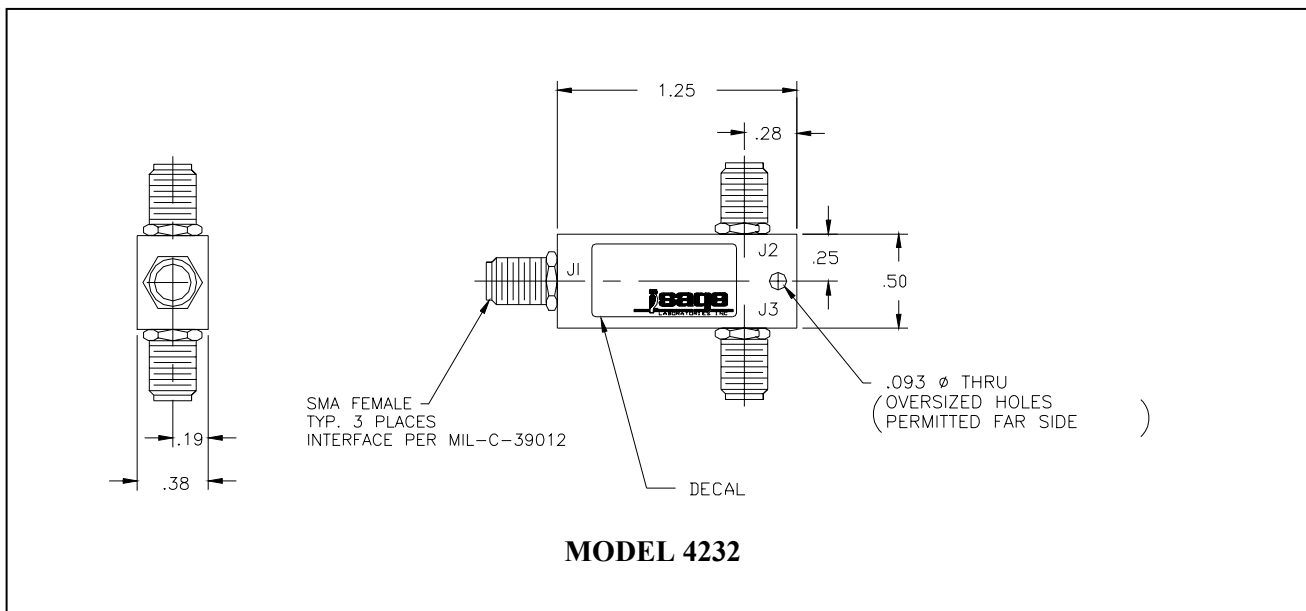
OUTLINE DRAWING



Model	A"	B"	C"	D"	E"	F"	G"	H"
4122	4.00	1.30	.92	.38	.38	.65	.20	.50
4132	2.20	1.30	.92	.38	.38	.65	.20	.50
4132A	1.98	1.16	.85	.31	.38	.58	.25	.50
4212	1.98	1.16	.85	.31	.38	.58	.25	.50
4142	1.50	1.00	.70	.30	.38	.50	.20	.50
4152A	1.42	1.16	.85	.31	.38	.58	.25	.50

Model	A (cm)	B (cm)	C (cm)	D (cm)	E (cm)	F (cm)	G (cm)	H (cm)
4122	(10,16)	(3,30)	(2,34)	(0,97)	(0,97)	(1,65)	(0,51)	(1,27)
4132	(5,59)	(3,30)	(2,34)	(0,97)	(0,97)	(1,65)	(0,51)	(1,27)
4132A	(5,03)	(2,95)	(2,16)	(0,79)	(0,97)	(1,47)	(0,64)	(1,27)
4212	(5,03)	(2,95)	(2,16)	(0,79)	(0,97)	(1,47)	(0,64)	(1,27)
4142	(4,06)	(2,54)	(1,78)	(0,76)	(0,97)	(1,27)	(0,51)	(1,27)
4152A	(3,61)	(2,95)	(2,16)	(0,79)	(0,97)	(1,47)	(0,64)	(1,27)

OUTLINE DRAWING



MISCELLANEOUS:

1. Sage Laboratories Inc. "Standard Warranty and Order Terms and Conditions" apply to all orders.
2. All specifications subject to change without notice.
3. Check "Ordering and Availability Listing" for delivery and ordering information.
4. Contact our local Manufacturers Representative for pricing.

Specification Revision - 022003

