

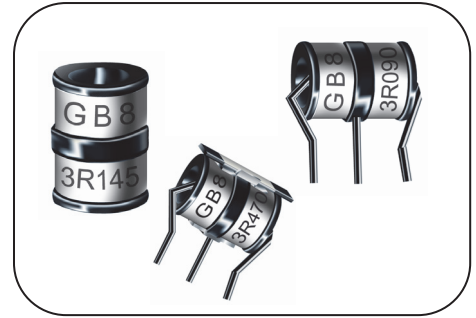
Gas Discharge Tube: GB8 Series



3-Electrode $\Phi 8.0 \times T10$ mm Type

■ Features

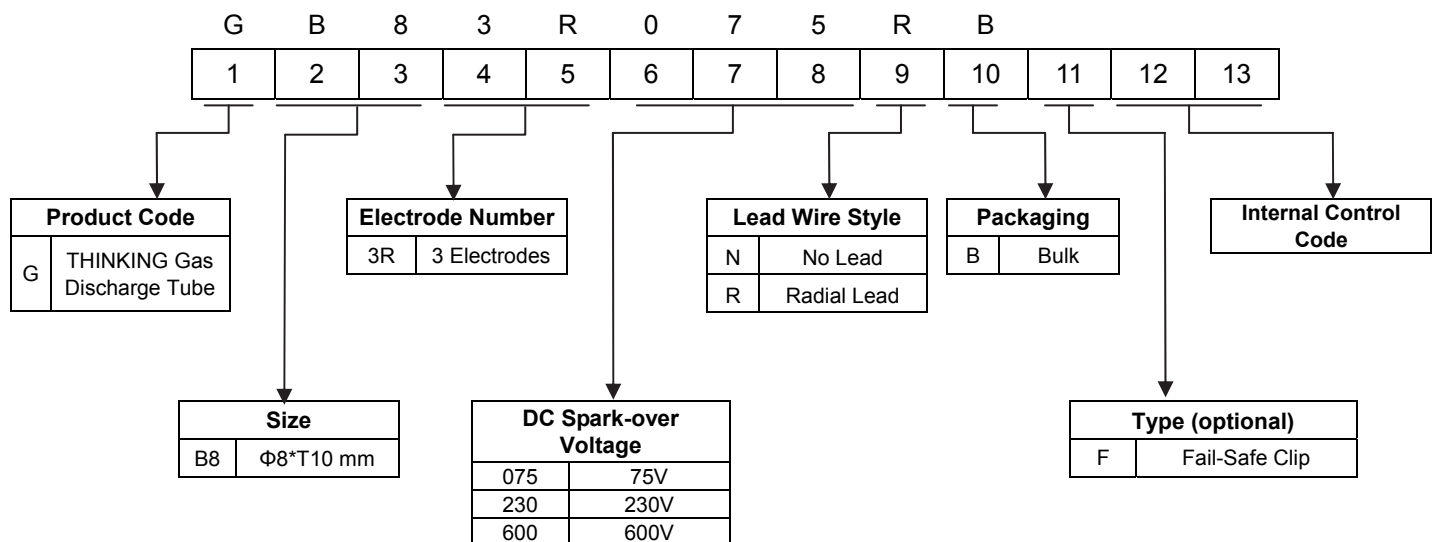
1. RoHS & HF compliant
2. Rugged ceramic-metal construction
3. Available with or without leads
4. Available with fail-safe clip
5. DC spark-over voltage: 75~600V
6. Low capacitance
7. Agency recognition :UL
8. Operating temperature : $-30^{\circ}\text{C} \sim +85^{\circ}\text{C}$
Storage temperature: $-40^{\circ}\text{C} \sim +115^{\circ}\text{C}$



■ Recommended Applications

1. Cable Modem
2. xDSL
3. Set-Top Box
4. TV sets
5. Power supplier
6. Consumer electronics

■ Part Number Code



Gas Discharge Tube: GB8 Series



3-Electrode $\Phi 8.0 \times T10$ mm Type

■ Characteristics

Part No.	DC Spark-over Voltage	Max. Impulse Breakdown Voltage		Max. Impulse Discharge Current (8/20 μ s)	Impulse Life (10/1000 μ s)	Normal Alternating Discharge Current	DC Holdover voltage	Minimum Insulation Resistance	Maximum Capacitance (1MHz)	Safety approvals
	100V/S	100V/ μ s	1KV/ μ s	10 times	200 A	50Hz, 1Sec	<150ms			
	(V)	(V)	(V)	(KA)	Times	(A)	(V)			
GB83R075□□(F)	75 \pm 20%	600	700	20	130	20	52	10	2	√
GB83R090□□(F)	90 \pm 20%	600	700				52			√
GB83R145□□(F)	145 \pm 20%	500	700				52			√
GB83R200□□(F)	200 \pm 20%	500	700				135			√
GB83R230□□(F)	230 \pm 20%	600	700				135			√
GB83R250□□(F)	250 \pm 20%	600	700				135			√
GB83R350□□(F)	350 \pm 20%	700	800				150			√
GB83R400□□(F)	400 \pm 20%	800	900				150			√
GB83R470□□(F)	470 \pm 20%	900	1000				150			√
GB83R600□□(F)	600 \pm 20%	1000	1100				150			√

Note1 : The first □ is the style of lead wire, the second □ is packaging.

Note2 : F = With fail-safe clip for optional.

Note 3: UL 497B File No: E245070

Note 4: Insulation resistance test conditions:

DC Spark-over Voltage	DC Measuring Voltage
75-90V	50V
145-400V	100V
420-600V	250V

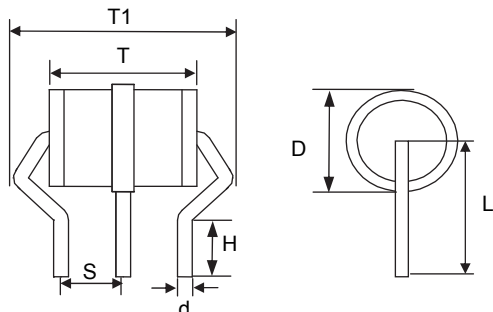
Gas Discharge Tube: GB8 Series



3-Electrode $\Phi 8.0 \times T10$ mm Type

■ Dimensions

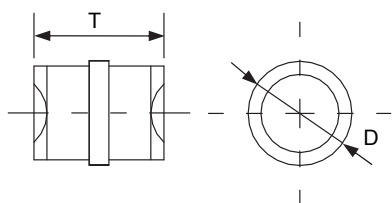
□ = R (Radial lead type)



Unit: mm

Item	Dimensions	
	Spec.	Tolerance
D	8.0	+0.2/-0.8
T	10.0	± 0.5
T1	13.4	+0.8/-0.5
L	7.5	± 0.5
S	4.4	± 0.4
d	1.0	± 0.05
H	4.5	Min.

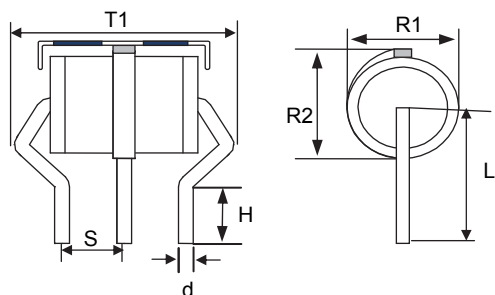
□ = N (No lead type)



Unit: mm

Item	Dimensions	
	Spec.	Tolerance
D	8.0	+0.2/-0.8
T	10.0	± 0.5

F = with fail-safe clip for optional



Unit: mm

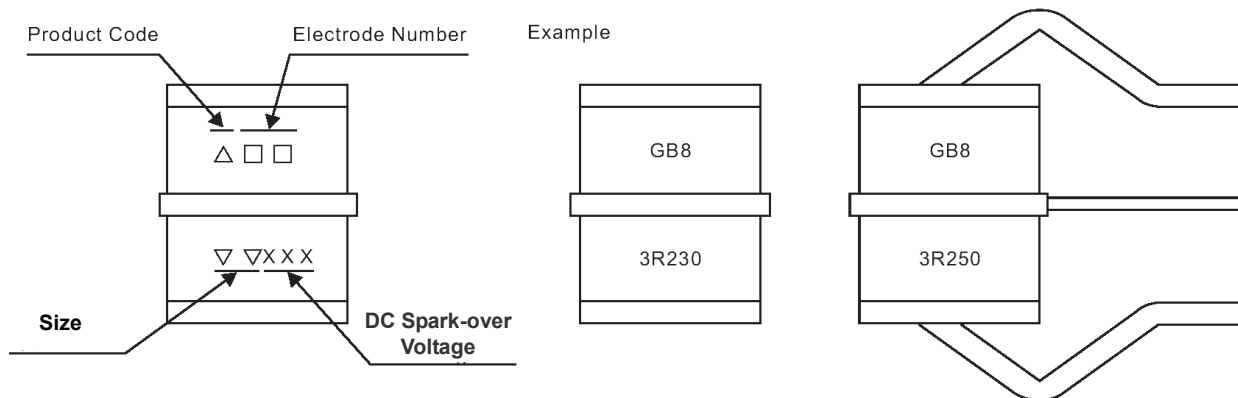
Item	Dimensions	
	Spec.	Tolerance
R1	8.1	± 0.3
R2	9.8	± 0.4
T1	13.4	+0.8/-0.5
L	7.5	± 0.5
S	4.4	± 0.4
d	1.0	± 0.05
H	4.5	Min.

Gas Discharge Tube: GB8 Series



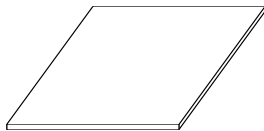
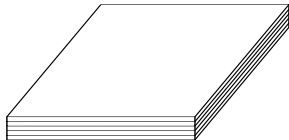

3-Electrode $\Phi 8.0 \times T10$ mm Type

■ Marking



■ Packaging

● Bulk

Plastic Tray (200x210x10mm)	Inner Box (210x225x60mm)	Outside Box (450x245x345mm)
		
100 PCS/ Plastic Tray	500 PCS/ Box	5,000 PCS/ Carton

■ Warehouse Storage Conditions of Products

● Storage Conditions:

1. Storage Temperature: $-10^{\circ}\text{C} \sim +40^{\circ}\text{C}$
2. Relative Humidity: $\leq 75\% \text{RH}$
3. Keep away from corrosive atmosphere and sunlight.

● Period of Storage: 1 year