

MF799 ST



ST Assembly

Ordering Information	
PART #	RECEPTACLE
MF799	ST
-40°C to +85°C	

Applications

- Ethernet 10 or 100Mbps
- Token Ring
- Fibre Channel 266Mbps
- FDDI
- ATM-SDH/SONET 155Mbps
- Intra-Office Telecom
- WDM Applications

Features

- Full Duplex Communication Over One Fiber
- Dual Wavelengths 820/1300nm
- Very Small Size
- Very Low Internal Crosstalk
- Packaged in Industry-Standard ST® Receptacle
- Designed for 62.5/125µm Fiber

Description

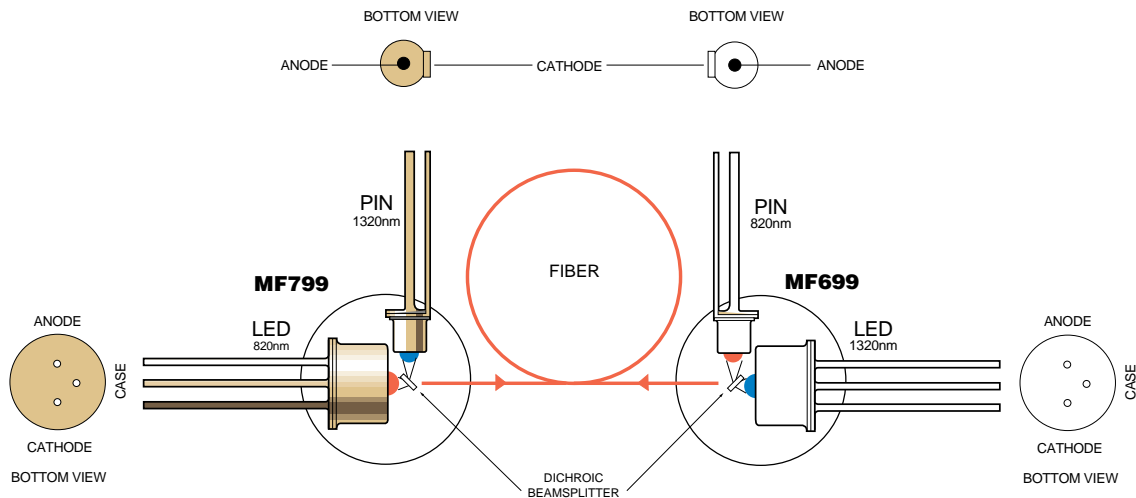
Used in combination with the MF699, the MF-799 Duplex Device is designed for WDM

(Wavelength Division Multiplex), Datacom, Video Links, or Intra-Office Telecom Applications. It emits optical power at 820nm and detects incoming optical power at 1320nm, allowing full Duplex Communication over one single fiber.

The MF799 uses dichroic (wavelength-selective) beamsplitters for maximum power budget and minimum crosstalk. Minimum internal crosstalk is achieved by the use of wavelength-selective Detectors. The long wavelength path meets requirements for FDDI (ANSI X3T9.5 and ATM 155Mbps).

The MF799 is designed for multi-mode fiber and optimized for 62.5/125µm fiber.

MF799 Functional Diagram



Absolute Maximum Ratings*

Parameter	Symbol	Min.	Max.	Units
Storage Temperature	T_{stg}	-40	+85	°C
Operating Temperature (Fig 2)	T_{op}	-40	+85	°C
LED Power Dissipation (Fig 2)	P_{tot}		250	mW
LED Continuous Forward Current ($f \leq 10\text{kHz}$)	I_F		110	mA
LED Peak Forward Current (Duty cycle $\leq 50\%$, $f \geq 1\text{MHz}$)	I_{FRM}		180	mA
LED Reverse Voltage	V_{RL}		1.5	V
PIN Reverse Voltage	V_{RP}		20	V
Solder Temperature (Note 1)	T_{sld}		260	°C

*Exceeding these values may cause permanent damage. Functional operation under these conditions is not implied. Note 1: 2mm from the case for 10s.

LED Optical & Electrical Characteristics (Case Temperature -25 to +70°C)

Parameter	Symbol	Min.	Typ.	Max.	Units	Test Conditions
Fiber-Coupled-Power (Fig 1)	P_{fiber}	-19			dBm	$I_{Peak}=60\text{mA}$ (Note 1, 2)
Rise & Fall Time (10-90% no bias)	t_r, t_f		1.5	2	ns	$I_F=60\text{mA}$ (Note 2)
Bandwidth (3dB _{el})	f_c		250		MHz	$I_F=60\text{mA}$ (Note 2)
Peak Wavelength	λ_p	800	820	840	nm	$I_F=60\text{mA}$
Spectral Width (FWHM)	$\Delta\lambda$		50	60	nm	$I_F=60\text{mA}$
Forward Voltage (Fig 3)	V_F			2.1	V	$I_F=60\text{mA}$
Reverse Current	I_R			20	μA	$V_R=1\text{V}$
Capacitance	C		20		pF	$V_R=0\text{V}$, $f=1\text{MHz}$

Note 1: Average power at 10MHz/50% duty cycle. Measured at the exit of 100m of fiber. Note 2: 62.5/125μm graded index fiber (NA=0.275).

PIN Optical & Electrical Characteristics (Case Temperature -25 to +70°C)

Parameter	Symbol	Min.	Typ.	Max.	Units	Test Conditions
Responsivity (Fig 4)	R	0.5			A/W	$V_R=5\text{V}$ $\lambda=1320\text{nm}$ (note 1)
Bandwidth	f_c	500			MHz	$V_R=5\text{V}$ $R_L=50\Omega$ (note 1)
Capacitance (Fig 5)	C		1.6		pF	$V_R=5\text{V}$ $f=1\text{MHz}$
Dark Current	I_d			5 100	nA	$T_{Case}=25^\circ\text{C}$ $T_{Case}=70^\circ\text{C}$ $V_R=5\text{V}$ $I_{LED}=0\text{mA}$
Crosstalk Current	I_{Cr}		75		nA	$V_R=5\text{V}$ $I_{LED}=60\text{mA}$ (note 2)

Note 1: 62.5/125μm graded index fiber (NA=0.275) Note 2: Internal crosstalk with ceramic ferrule inserted but no power from the fiber. Total Current = Dark Current + Crosstalk Current.

LED Thermal Characteristics

Parameter	Symbol	Min.	Typ.	Max.	Units
Thermal Resistance - Infinite Heat Sink	R_{thjc}			200	°C/W
Thermal Resistance - On PC Board	R_{thjb}			300	°C/W
Temperature Coefficient - Optical Power	dP/dT_j		-0.6		%/°C
Temperature Coefficient - Wavelength	$d\lambda/dT_j$		0.3		nm/°C

PIN Thermal Characteristics

Parameter	Symbol	Min.	Typ.	Max.	Units
Temperature Coefficient - Dark Current	dI_d/dT_j		5		%/°C
Temperature Coefficient - Crosstalk Current	dI_{Cr}/dT_j		-0.6		%/°C

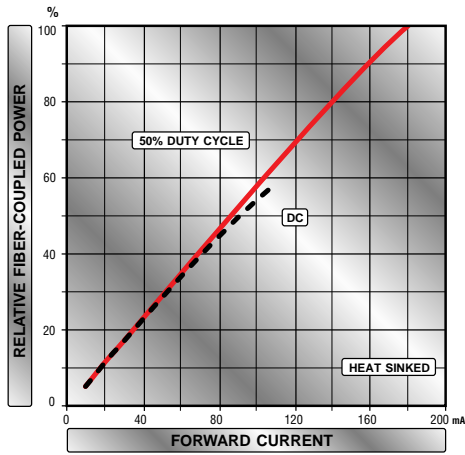


Figure 1

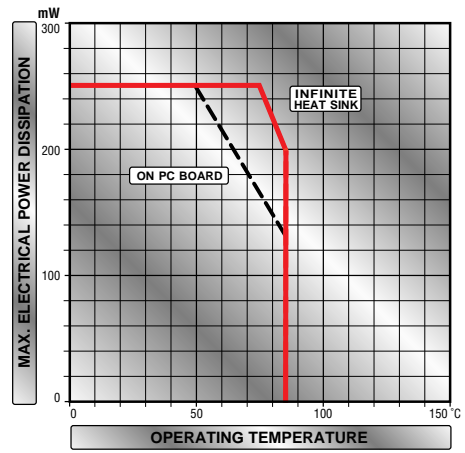


Figure 2

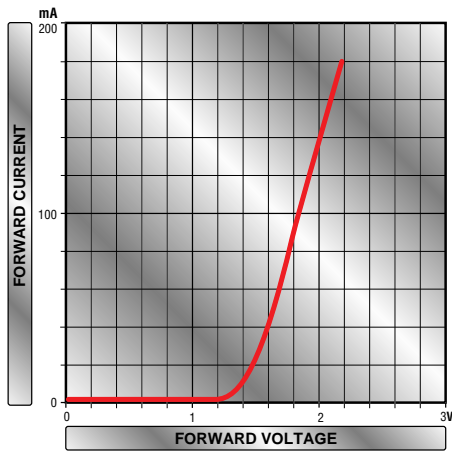


Figure 3

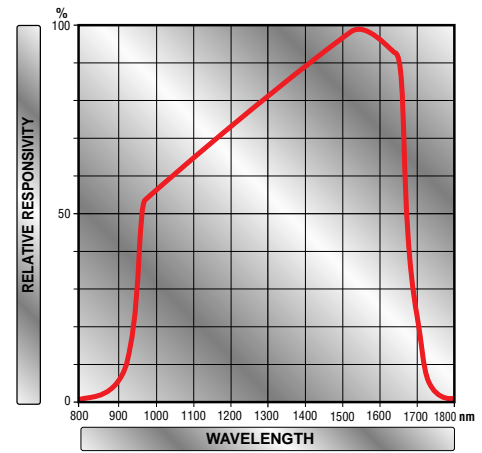


Figure 4

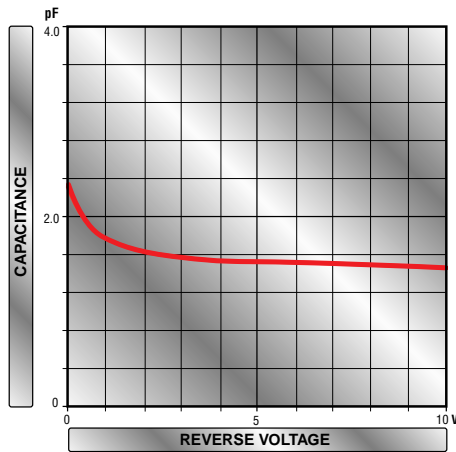
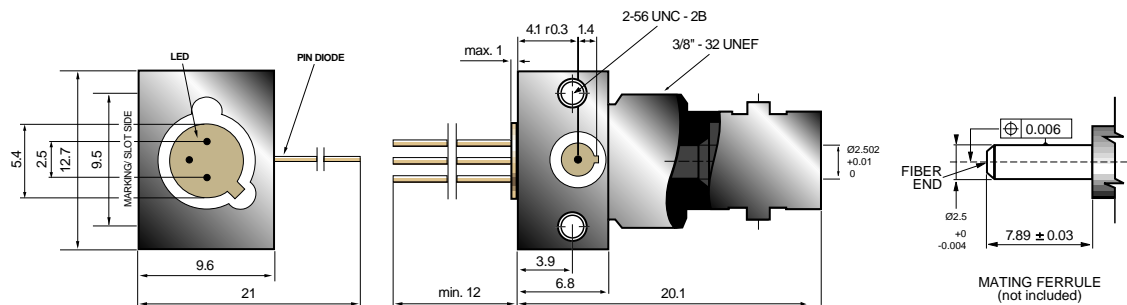


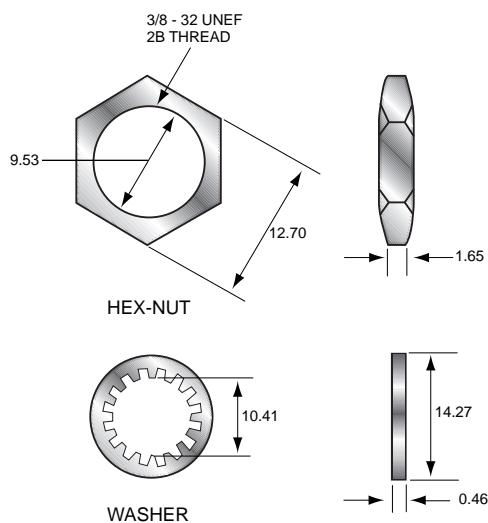
Figure 5

MF799 Mechanical Data



Note: The LED chip is isolated from the case. All dimensions in mm.

MF799 Packaging Hardware





<http://www.mitelsemi.com>

World Headquarters - Canada

Tel: +1 (613) 592 2122
Fax: +1 (613) 592 6909

North America

Tel: +1 (770) 486 0194
Fax: +1 (770) 631 8213

Asia/Pacific

Tel: +65 333 6193
Fax: +65 333 6192

**Europe, Middle East,
and Africa (EMEA)**

Tel: +44 (0) 1793 518528
Fax: +44 (0) 1793 518581

Information relating to products and services furnished herein by Mitel Corporation or its subsidiaries (collectively "Mitel") is believed to be reliable. However, Mitel assumes no liability for errors that may appear in this publication, or for liability otherwise arising from the application or use of any such information, product or service or for any infringement of patents or other intellectual property rights owned by third parties which may result from such application or use. Neither the supply of such information or purchase of product or service conveys any license, either express or implied, under patents or other intellectual property rights owned by Mitel or licensed from third parties by Mitel, whatsoever. Purchasers of products are also hereby notified that the use of product in certain ways or in combination with Mitel, or non-Mitel furnished goods or services may infringe patents or other intellectual property rights owned by Mitel.

This publication is issued to provide information only and (unless agreed by Mitel in writing) may not be used, applied or reproduced for any purpose nor form part of any order or contract nor to be regarded as a representation relating to the products or services concerned. The products, their specifications, services and other information appearing in this publication are subject to change by Mitel without notice. No warranty or guarantee express or implied is made regarding the capability, performance or suitability of any product or service. Information concerning possible methods of use is provided as a guide only and does not constitute any guarantee that such methods of use will be satisfactory in a specific piece of equipment. It is the user's responsibility to fully determine the performance and suitability of any equipment using such information and to ensure that any publication or data used is up to date and has not been superseded. Manufacturing does not necessarily include testing of all functions or parameters. These products are not suitable for use in any medical products whose failure to perform may result in significant injury or death to the user. All products and materials are sold and services provided subject to Mitel's conditions of sale which are available on request.

M Mitel (design) and ST-BUS are registered trademarks of MITEL Corporation
Mitel Semiconductor is an ISO 9001 Registered Company
Copyright 1999 MITEL Corporation
All Rights Reserved
Printed in CANADA

TECHNICAL DOCUMENTATION - NOT FOR RESALE