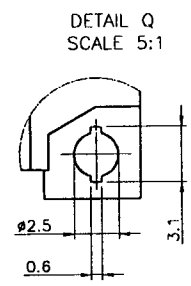
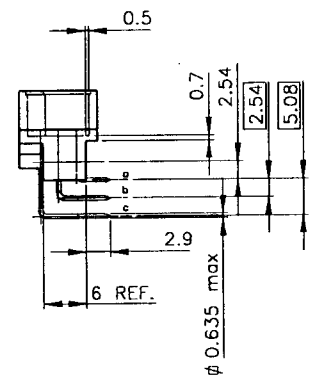
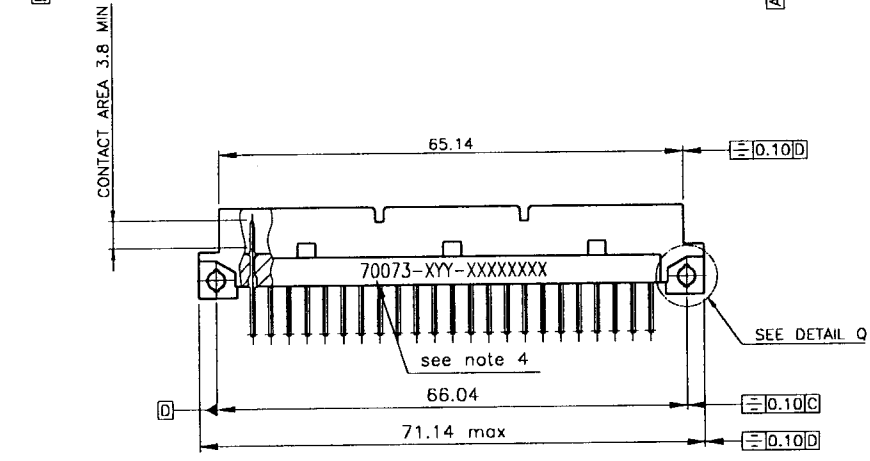
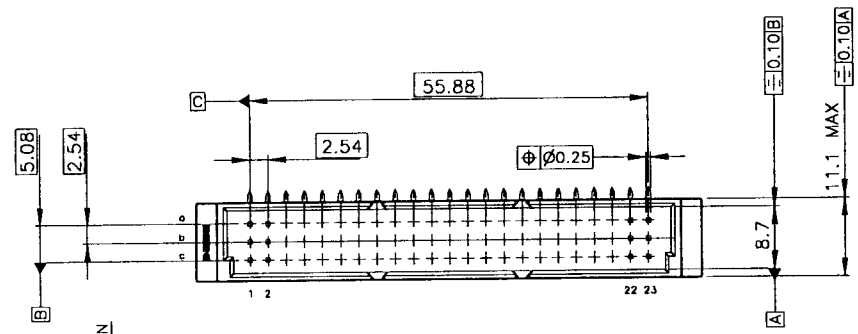
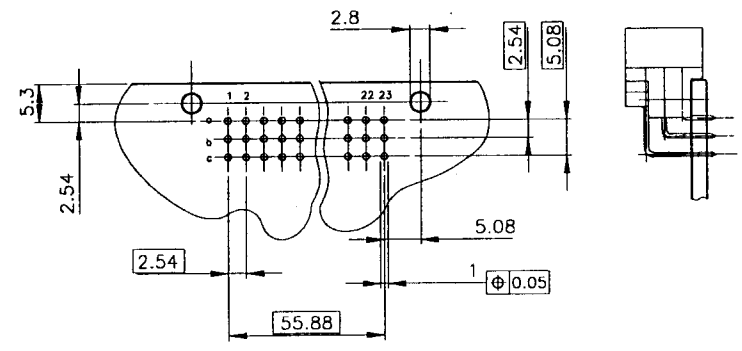


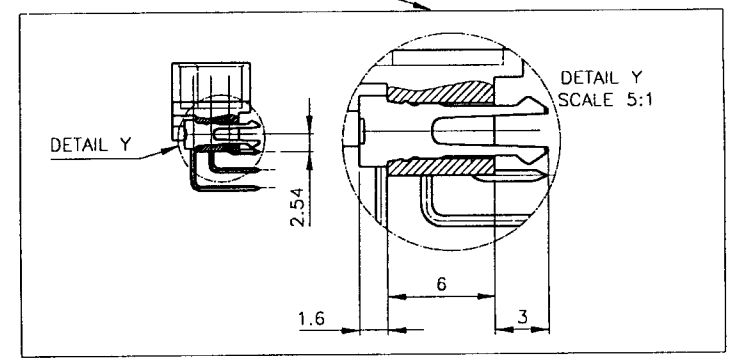
FOR PRODUCT NUMBER SEE SHEET 2/2



P.C. MOUNTING HOLE PATTERN



OPTIONAL, SEE NOTE 5



NOTES:

- 1 MATERIAL PIN : PHOSPHOR BRONZE
- 2 MATERIAL BODY: THERMOPLASTIC POLYESTER
30% FIBER GLASS FILLED
COLOUR: GREY, FLAME RETARDANT PER UL-94-V0
- 3 PLATING FOR CONTACT AREA: SEE TABLE
- 4 PRINTING CONSISTS OF 70073-YYY-OZ-XXXXXXX
PRODUCT NUMBER _____
PLATING CODE X _____
LOADING CODE YY _____
CLIP CODE (optional) _____
BATCH CODE _____
- 5 AS AN OPTION THE 70073 CONNECTOR IS AVAILABLE WITH
A BOARD FIXING CLIP. THE P/N IS THEN 70073-YYY-OZ.
SEE SHEET 2/2.

part code		see notes		tolerances unless otherwise specified		CUSTOMER COPY		BERG ELECTRONICS	
lit	rev no	dr	date	linear		projection	file	DIN R.A. MALE	
A	H88344	MLD	890712					3x23 pos. CONN.	
B	H20199	MM	920410					product family BACKPANEL	
C	H30356	RBE	930816	angles				code	213
D	H30433	RBE	931012	dr	M. Visschers	920410	mm	size	dwg no
E	F50830	DMA	95.09.04	eng	M. Leman	920410	scale	2:1	sheet
F	F90181	LMU	99.03.18	chr	M. Leman	920410		Az	70073
				app	H. Coelmonte	920410			1 of 2
sheet	revision	F	D						
index	sheet	1	2						

PRODUCT NUMBER 70073-YYY-OZ

PLATING CODE X		
PRODUCT NO	CONTACT AREA	SOLDER TAIL
70073-1YY	0.40µm Au min over Ni	TIN / LEAD
70073-2YY	0.80µm Au min over Ni	TIN / LEAD
70073-3YY	2.00µm Au min over Ni	TIN / LEAD
70073-4YY	1.25µm Au min over Ni	TIN / LEAD

LOADING CODE "YY"																								
PRODUCT NO	ROW	PIN "X" PLACED IN POSITION																						
		1	2	3	4	5	6	7	8	9	10	11	12	13	14	15	16	17	18	19	20	21	22	23
70073-X01	a	X	X	X	X	X	X	X	X	X	X	X	X	X	X	X	X	X	X	X	X	X	X	X
	b																							
	c	X	X	X	X	X	X	X	X	X	X	X	X	X	X	X	X	X	X	X	X	X	X	X
70073-X02	a	X	X	X	X	X	X	X	X	X	X	X	X	X	X	X	X	X	X	X	X	X	X	X
	b	X	X	X	X	X	X	X	X	X	X	X	X	X	X	X	X	X	X	X	X	X	X	X
	c	X	X	X	X	X	X	X	X	X	X	X	X	X	X	X	X	X	X	X	X	X	X	X
70073-X03	a	X	X	X	X	X	X	X	X	X	X	X	X	X	X	X	X	X	X	X	X	X	X	X
	b	X	X	X	X	X	X	X	X	X	X	X	X	X	X	X	X	X	X	X	X	X	X	X
	c	X	X	X	X	X	X	X	X	X	X	X	X	X	X	X	X	X	X	X	X	X	X	X
70073-X04	a	X	X	X	X	X	X	X	X	X	X	X	X	X	X	X	X	X	X	X	X	X	X	X
	b	X	X	X	X	X	X	X	X	X	X	X	X	X	X	X	X	X	X	X	X	X	X	X
	c	X	X	X	X	X	X	X	X	X	X	X	X	X	X	X	X	X	X	X	X	X	X	X
70073-X05	a	X	X	X	X	X	X	X	X	X	X	X	X	X	X	X	X	X	X	X	X	X	X	X
	b	X	X	X	X	X	X	X	X	X	X	X	X	X	X	X	X	X	X	X	X	X	X	X
	c	X	X	X	X	X	X	X	X	X	X	X	X	X	X	X	X	X	X	X	X	X	X	X
70073-X06	a	X	X	X	X	X	X	X	X	X	X	X	X	X	X	X	X	X	X	X	X	X	X	X
	b	X	X	X	X	X	X	X	X	X	X	X	X	X	X	X	X	X	X	X	X	X	X	X
	c	X	X	X	X	X	X	X	X	X	X	X	X	X	X	X	X	X	X	X	X	X	X	X
70073-X07	a	X	X	X	X	X	X	X	X	X	X	X	X	X	X	X	X	X	X	X	X	X	X	X
	b	X	X	X	X	X	X	X	X	X	X	X	X	X	X	X	X	X	X	X	X	X	X	X
	c	X	X	X	X	X	X	X	X	X	X	X	X	X	X	X	X	X	X	X	X	X	X	X
70073-X08	a	X	X	X	X	X	X	X	X	X	X	X	X	X	X	X	X	X	X	X	X	X	X	X
	b	X	X	X	X	X	X	X	X	X	X	X	X	X	X	X	X	X	X	X	X	X	X	X
	c	X	X	X	X	X	X	X	X	X	X	X	X	X	X	X	X	X	X	X	X	X	X	X
70073-X09	a	X	X	X	X	X	X	X	X	X	X	X	X	X	X	X	X	X	X	X	X	X	X	X
	b	X	X	X	X	X	X	X	X	X	X	X	X	X	X	X	X	X	X	X	X	X	X	X
	c	X	X	X	X	X	X	X	X	X	X	X	X	X	X	X	X	X	X	X	X	X	X	X
70073-X00	a	X	X	X	X	X	X	X	X	X	X	X	X	X	X	X	X	X	X	X	X	X	X	X
	b	X	X	X	X	X	X	X	X	X	X	X	X	X	X	X	X	X	X	X	X	X	X	X
	c	X	X	X	X	X	X	X	X	X	X	X	X	X	X	X	X	X	X	X	X	X	X	X

CLIP CODE "OZ" (Optional)	
PRODUCT NUMBER	PCB THICKNESS
70073-XXX-01	1.6

matl code	see table	tolerances unless otherwise specified	CUSTOMER COPY	BERG ELECTRONICS
lir	ec'n no	date	linear	title
A	H89344	MLO 890712		DIN R.A. MALE
B	H20199	MVI 920410		3X23 pos. CONN.
C	H30356	RBE 930816	angles	product family
D	H30433	RBE 931012	mm	BACKPANEL
		eng	M. Visseren 920410	code
		eng	M. Loman 920410	213
		chr	M. Loman 920410	size
		app	H. Coorimans 920410	dwg no
sheet	revision	scale	A2	70073
index	sheet			2 of -