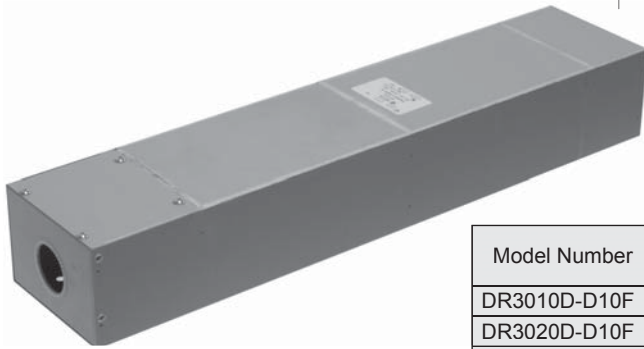
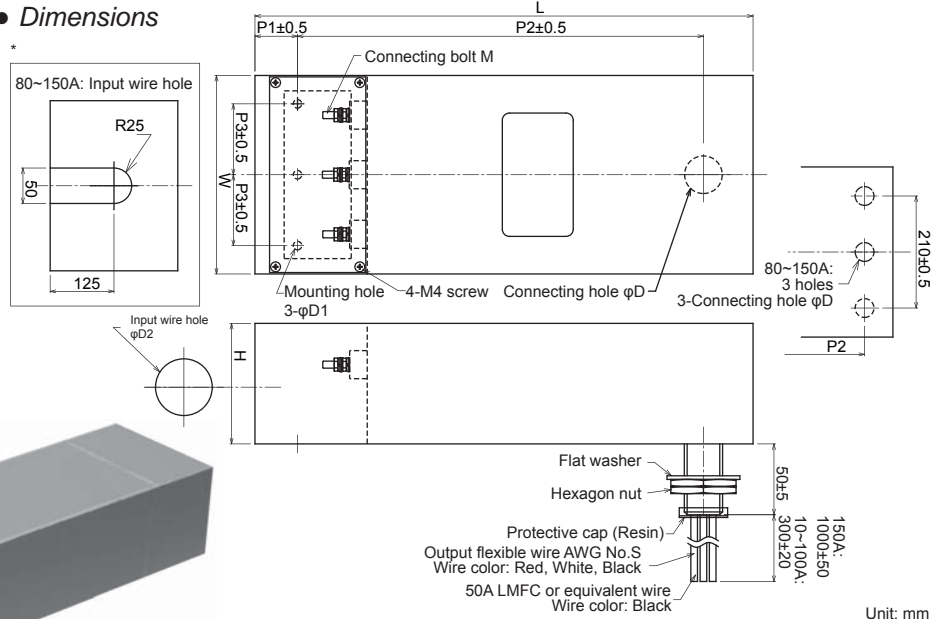


**Features**

- Three-phase power line filter
3 wire system (DR3)
4 wire system (DR4)
- Wide-band and high attenuation

Applications

- Anechoic chamber,
shielded room

● **Dimensions**

Model Number	Dimensions (mm)										
	L	W	H	P1	P2	P3	φD	φD1	φD2	M	S(mm ²)
DR3010D-D10F	400	140	85	30	335	50	27	6	40	M5	12(3.5)
DR3020D-D10F	400	140	85	30	335	50	27	6	40	M5	12(3.5)
DR3030D-D10F	400	140	85	30	335	50	27	6	40	M5	10(5.5)
DR3050D-D10F	450	170	120	30	385	65	27	6	40	M6	6(13.5)
DR3060D-D10F	450	170	120	30	385	65	27	6	40	M6	6(13.5)
DR3100D-D10F	760	300	250	25	685	110	27×3	6	*	M8	(38.0)
DR4020D-D10F	500	230	110	25	445	85	27	6	-	M5	12(3.5)
DR4030D-D10F	580	250	120	25	525	85	27	6	-	M5	10(5.5)
DR4050D-D10F	580	250	120	25	525	85	27	6	-	M6	8(8.0)
DR3010D-D00F	640	140	85	30	575	50	27	6	40	M5	12(3.5)
DR3020D-D00F	640	140	85	30	575	50	27	6	40	M5	12(3.5)
DR3030D-D00F	640	140	85	30	575	50	27	6	40	M5	10(5.5)
DR3050D-D00F	730	170	120	30	665	65	27	6	40	M6	6(13.5)
DR3100D-D00F	1250	300	250	30	1170	110	27×3	6	*	M8	(38.0)
DR4020D-D00F	800	230	110	25	745	85	27	6	-	M4	12(3.5)
DR4050D-D00F	880	250	120	25	825	85	27	6	-	M5	8(8.0)

Electrical SpecificationsRated Voltage **500Vac**

Model Number	Rated Current (A)	Test Voltage	Insulation Resistance	Leakage Current max. at 300Vac 60Hz	Operating Temperature (°C)	Attenuation Characteristics
DR3010D-D10F	10	Line to ground 2,500Vdc 60sec	Line to ground 1,000Vdc 100MΩ min. 60sec	0.43A	-20 ~ +50	150kHz~18GHz 100dB
DR3020D-D10F	20					
DR3030D-D10F	30					
DR3050D-D10F	50					
DR3060D-D10F	60					
DR3100D-D10F	100					
DR4020D-D10F	20			14kHz~18GHz 100dB		
DR4030D-D10F	30					
DR4050D-D10F	50					
DR3010D-D00F	10					
DR3020D-D00F	20					
DR3030D-D00F	30					
DR3050D-D00F	50					
DR3100D-D00F	100					
DR4020D-D00F	20	5.0A				
DR4050D-D00F	50					