

1738U-Type Small Form-Factor Erbium-Doped Fiber Amplifier with Uncooled Pump



Compact size and extremely low power consumption make the 1738U-Type EDFA an ideal solution for single-channel, preamplification applications in C-band.

Features

- Economical, compact package:
90 mm x 70 mm x 12 mm
- Extremely low power consumption: <875 mW
- Single-channel amplification in C-band
(1528 nm—1562 nm)
- Uncooled 980 nm pump laser module
- Wide operating temperature range:
–5 °C to +70 °C
- Optical input tap
- Isolated input and output
- Connectorized single-mode fiber pigtail

Applications

- Single-channel links in:
 - Metro systems
 - Long-haul transport
 - Switch matrix

Description

The 1738U-Type Uncooled Small Form-Factor Erbium-Doped Fiber Amplifier (SFF EDFA) is designed for single-channel amplification in C-band applications. The device is manufactured in an economical SFF package and exhibits extremely low power dissipation over a wide operating temperature range.

Optimum performance and system stability are supported through the use of optical isolation at the input and output. Optical input and output functions are achieved through single-mode fiber pigtails terminated with optical connectors. The EDFA incorporates an optical input tap and monitor photodiode.

Absolute Maximum Ratings

Stresses in excess of the absolute maximum ratings can cause permanent damage to the device. These are absolute stress ratings only. Functional operation of the device is not implied at these or any other conditions in excess of those given in the operational sections of the data sheet. Exposure to absolute maximum ratings for extended periods can adversely affect device reliability.

Parameter	Symbol	Min	Max	Unit
Operating Case Temperature Range	TOP	-5	70	°C
Storage Case Temperature Range	Tstg	-40	85	°C
Laser Forward Current	IF	—	500	mA
Laser Reverse Voltage	VR	—	2.5	V

Electrical/Optical Operational Characteristics

Table 1. Optical/Electrical Characteristics

Parameter	Symbol	Conditions	Min	Max	Unit
Wavelength Range	λ	—	1528	1562	nm
Optical Output Power	POUT	PIN = -30 dBm to -8 dBm	-5	—	dBm
Optical Input Power	PIN	—	-30	-8	dBm
Noise Figure	NF	PIN = -30 dBm PIN = -20 dBm PIN = -15 dBm PIN = -8 dBm	— — — —	5.5 5.7 6.8 8.5	dB dB dB dB
Operating Laser Forward Current	IF,OP	—	—	350	mA
Operating Laser Forward Voltage	VF,OP	—	—	2.5	V
Power Consumption	PC	—	—	875	mW
ASE Noise Power at Optical Input Port	PASE,I	PIN = -30 dBm, POUT = -5 dBm	—	-20	dBm
Output Leakage Pump Power	PLEAK,O	PIN = -30 dBm, POUT = -5 dBm, $\lambda = 1562$ nm	—	-26	dBm
Reverse Isolation	IISO	PIN = -30 dBm	25	—	dB
Input Monitor Tap Responsivity	RTAP	—	0.032	0.063	A/W
Polarization Sensitivity	PDG	—	—	0.5	dBp-p
Polarization Mode Dispersion	PMD	—	—	0.5	ps
Optical Input Return Loss	RLI	—	30	—	dB
Optical Output Return Loss	RLO	—	30	—	dB

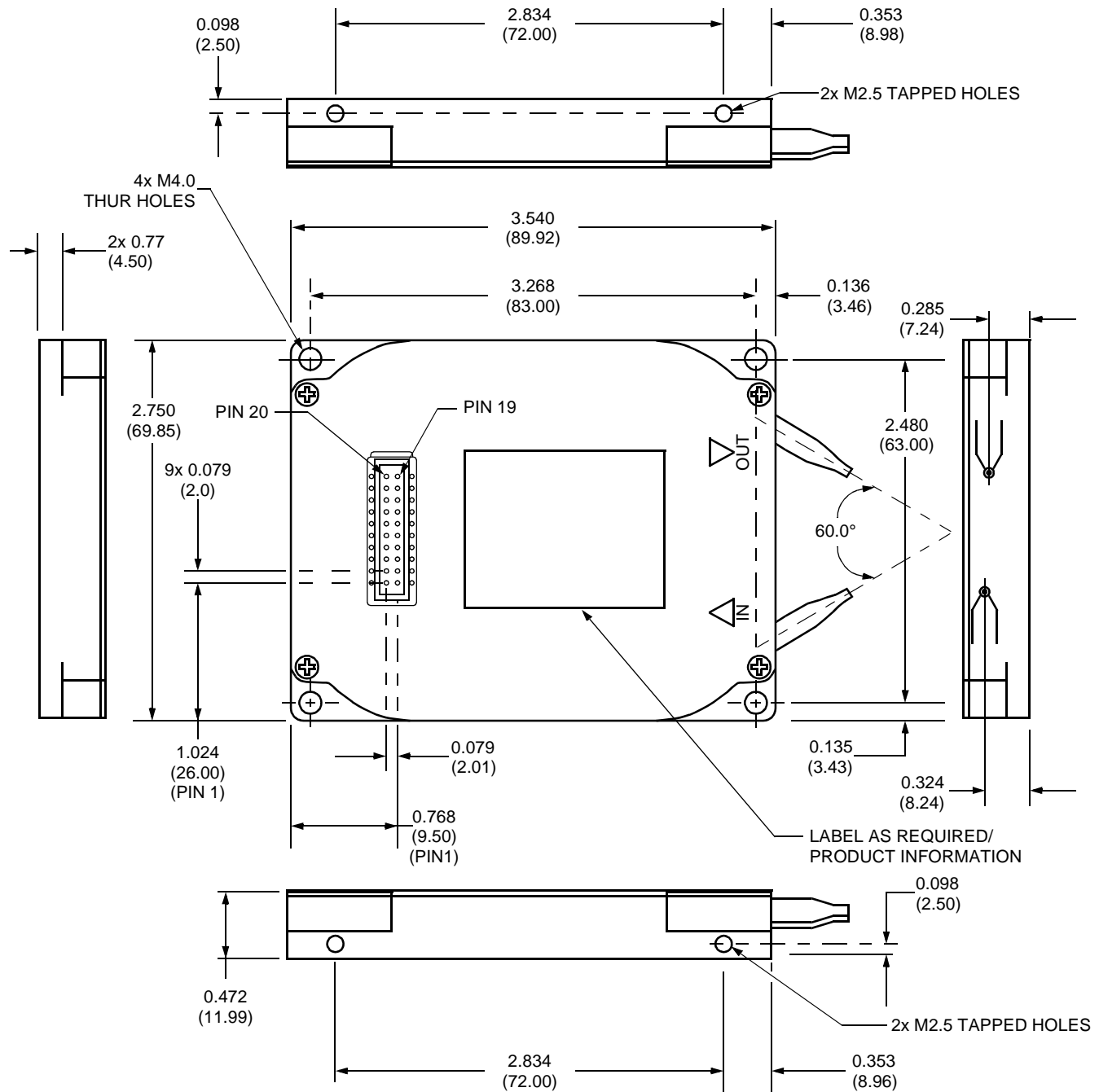
Pin Information

Table 2. Pin Descriptions

Pin	Description	Pin	Description
1	Ground Monitor Photodiode	11	Not Connected
2	Input Monitor Photodiode Cathode	12	Not Connected
3	Input Monitor Photodiode Anode	13	Not Connected
4	Not Connected	14	Not Connected
5	Not Connected	15	Not Connected
6	Thermistor 1	16	Not Connected
7	LD+ (pump anode)	17	Ground Pump
8	LD+ (pump anode)	18	Thermistor 2
9	Pump Monitor Photodiode Cathode	19	LD- (pump cathode)
10	Pump Monitor Photodiode Anode	20	LD- (pump cathode)

Outline Diagram

Dimensions are in inches and (millimeters): 2.75 x 3.54 x 0.47 (70 x 90 x 12).



1-1257(F)

Laser Safety Information

Class IIIb Laser Product

FDA/CDRH Class IIIb laser product. All versions of the device are Class IIIb laser products per CDRH, 21 CFR 1040 Laser Safety requirements. All versions are Class IIIb laser products per IEC* 60825-1:1993. The devices have been classified with the FDA under an accession number to be determined.

This product complies with 21 CFR 1040.10 and 1040.11.

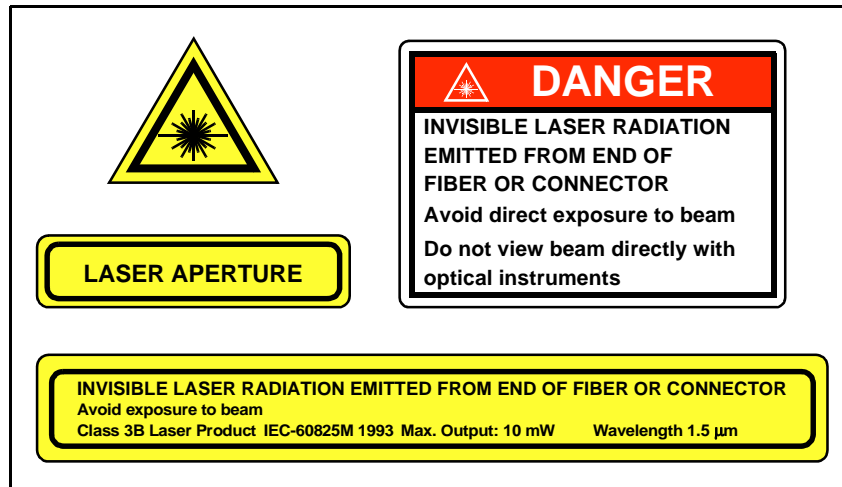
8.8 μm /125 μm single-mode fiber pigtail with connector options

Wavelength = 1.5 μm

Maximum power = 10 mW

Product is not shipped with power supply.

CAUTION: Use of controls, adjustments, and procedures other than those specified herein may result in hazardous laser radiation exposure.



* IEC is a registered trademark of the International Electrotechnical Commission.

Ordering Information

Table 3. Ordering Information*

Device Code	Connector	Electrical Connection	Comcode
1738UAA	SC/APC	Male 2 x 10 at 2 mm spacing	TBD
1738UBA	LC/APC	Male 2 x 10 at 2 mm spacing	TBD
1738UBA	FC/SPC	Male 2 x 10 at 2 mm spacing	TBD

* For additional ordering information, please contact an Agere Systems account manager at OPTO West, 1-800-362-3891 (for sales staff, please press option 2).

Coding Scheme

Example: 1738U $\alpha\beta\gamma$

α = Optical connector indicator:

A = SC/APC

B = LC/APC

C = FC/APC

β = Electrical connection:

A = Male 2 x 10 at 2 mm spacing

B = future use

γ = Future use

For additional information, contact your Agere Systems Account Manager or the following:

INTERNET: <http://www.agere.com>

E-MAIL: docmaster@micro.lucent.com

N. AMERICA: Agere Systems Inc., 555 Union Boulevard, Room 30L-15P-BA, Allentown, PA 18109-3286

1-800-372-2447, FAX 610-712-4106 (In CANADA: 1-800-553-2448, FAX 610-712-4106)

ASIA PACIFIC: Agere Systems Singapore Pte. Ltd., 77 Science Park Drive, #03-18 Cintech III, Singapore 118256

Tel. (65) 778 8833, FAX (65) 777 7495

CHINA: Agere Systems (Shanghai) Co., Ltd., 33/F Jin Mao Tower, 88 Century Boulevard Pudong, Shanghai 200121 PRC

Tel. (86) 21 50471212, FAX (86) 21 50472266

JAPAN: Agere Systems Japan Ltd., 7-18, Higashi-Gotanda 2-chome, Shinagawa-ku, Tokyo 141, Japan

Tel. (81) 3 5421 1600, FAX (81) 3 5421 1700

EUROPE: Data Requests: DATALINE: Tel. (44) 7000 582 368, FAX (44) 1189 328 148

Technical Inquiries: OPTOELECTRONICS MARKETING: (44) 1344 865 900 (Ascot UK)

Agere Systems Inc. reserves the right to make changes to the product(s) or information contained herein without notice. No liability is assumed as a result of their use or application.