

REVISIONS				
SYM	ZONE	ECN, ERN NO.	DATE	APPRD.
C		PROPOSAL	MAY23/06	A.G.
D		PROPOSAL	SEP20/06	A.G.

**AMPHENOL PART NUMBER CONFIGURATION:**

U65 - X XX - X X 1 XXXX

**INFINITY** \_\_\_\_\_  
**RECEPTACLE** \_\_\_\_\_  
**STYLE** \_\_\_\_\_  
 B = R/A SMT, 2 LOCATION  
 AND 2 SOLDERING POSTS  
 E = R/A SMT, 2 LOCATION  
 AND 2 SCREW MOUNT HOLES  
**CONNECTOR TYPE** \_\_\_\_\_  
 04 = 4X  
 12 = 12X  
**PLATING** \_\_\_\_\_  
 1 = 50μ" GOLD  
 2 = 30μ" GOLD  
 3 = GOLD FLASH OVER  
 PALLADIUM-NICKEL (LEAD FREE)  
 4 = 50μ" GOLD (RoHS COMPLIANT)  
 5 = 30μ" GOLD (RoHS COMPLIANT)  
**OPTION** \_\_\_\_\_  
 0 = 2 PIECE LOCKING PLATE (SHIPPED LOOSE)  
 1 = ONE PIECE LOCKING PLATE (SHIPPED LOOSE)  
 2 = NO LOCKING PLATE  
 3 = NO LOCKING PLATE AND NO GASKET

**PACKAGING/SPECIAL**  
 (NOTE: ALL "M" OPTIONS ARE FOR STYLE E  
 WITH .062" TO .093" THICK PCB'S ONLY)  
 NO DIGIT = TRAY PACKAGING  
 NO REAR COVER  
 C = TRAY PACKAGING  
 WITH REAR COVER (SHIPPED LOOSE)  
 M = TRAY PACKAGING, NO REAR COVER,  
 M2 SCREWS INCLUDED (SHIPPED LOOSE)  
 CM = TRAY PACKAGING, W/ REAR COVER,  
 M2 SCREWS INCLUDED (BOTH SHIPPED LOOSE)  
 T = TAPE & REEL PACKAGING  
 NO REAR COVER  
 CT = TAPE & REEL PAKAGING  
 W/ REAR COVER (SHIPPED LOOSE)  
 MT = TAPE & REEL PAKAGING, NO REAR COVER,  
 M2 SCREWS INCLUDED (SHIPPED LOOSE)  
 CMT = TAPE & REEL PAKAGING, W/ REAR COVER,  
 M2 SCREWS INCLUDED (BOTH SHIPPED LOOSE)  
**KEYING OPTION**  
 0 = NO KEYING (STD)  
 1 = KEYING 1 & 6  
 2 = KEYING 2 & 6  
 3 = KEYING 3 & 5  
 4 = KEYING 4 & 5

**MOUNTING STYLE**  
 LANYARD LATCH

THIS IS A CAD DRAWING. DO NOT MANUALLY REVISE.

1. **MATERIAL:**  
 PLASTIC HOUSING:  
 HIGH TEMPERATURE POLYMER, FLAMMABILITY RATING UL94V-0.  
 CONTACTS:  
 PHOSPHOR BRONZE  
 PLATING OPTION 1 OR 2 (50μ" OR 30μ" GOLD):  
 50μ" [1.27 μm] OR 30μ" [0.76 μm] MIN. GOLD OVER 50μ" [1.27 μm] MIN. NICKEL ON CONTACT  
 MATING SURFACES. 150μ" [3.81 μm] MIN. TIN-LEAD (90/10) OVER 50μ" [1.27 μm] NICKEL ON  
 CONTACT TAILS.  
 PLATING OPTION 3 (GOLD FLASH OVER PALLADIUM-NICKEL):  
 2μ" [0.05 μm] MIN. GOLD OVER 25μ" [0.635 μm] MIN. PALLADIUM-NICKEL ON CONTACT MATING  
 SURFACES. 0.3μ" [0.007 μm] MIN. GOLD OVER 1.2μ" [0.03 μm] MIN. PALLADIUM-NICKEL ON  
 CONTACT TAILS. 50μ" [1.27 μm] MIN. NICKEL UNDER PLATING.  
 PLATING OPTION 4 OR 5 (RoHS) (50μ" OR 30μ" GOLD):  
 50μ" [1.27 μm] OR 30μ" [0.76 μm] MIN. GOLD OVER 50μ" [1.27 μm] MIN. NICKEL ON CONTACT  
 MATING SURFACES. 2μ" [0.05 μm] MIN. GOLD OVER 50μ" [1.27 μm] MIN. NICKEL ON CONTACT TAILS.  
 METAL SHELL:  
 DIE CASTING ALLOY  
 PLATING:  
 100μ" [2.54 μm] MIN. NICKEL OVER COPPER UNDER LAYER  
 GASKET:  
 STAINLESS STEEL  
 LOCKING PLATE:  
 STAINLESS STEEL  
 M2 SCREWS:  
 STEEL WITH ZINC PLATING

2. **TEMPERATURE RANGE:**  
 -40°C TO +85°C

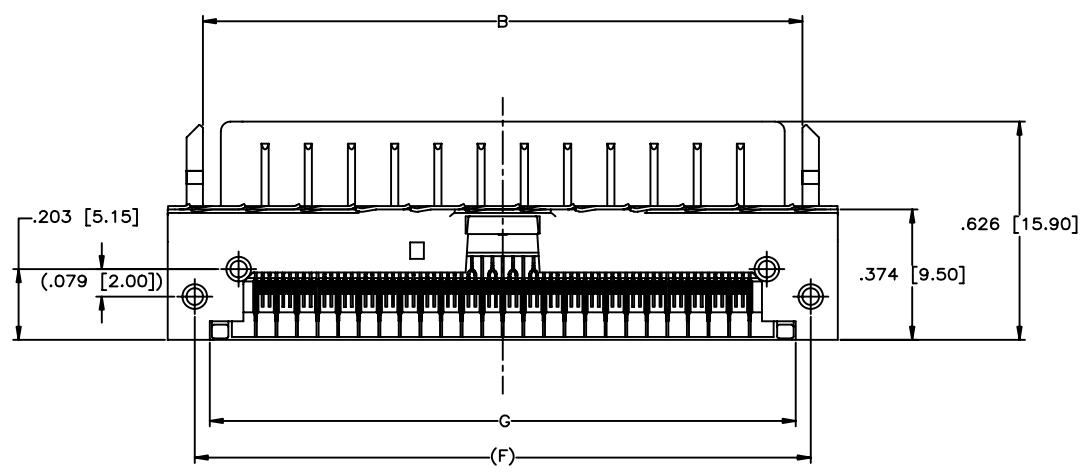
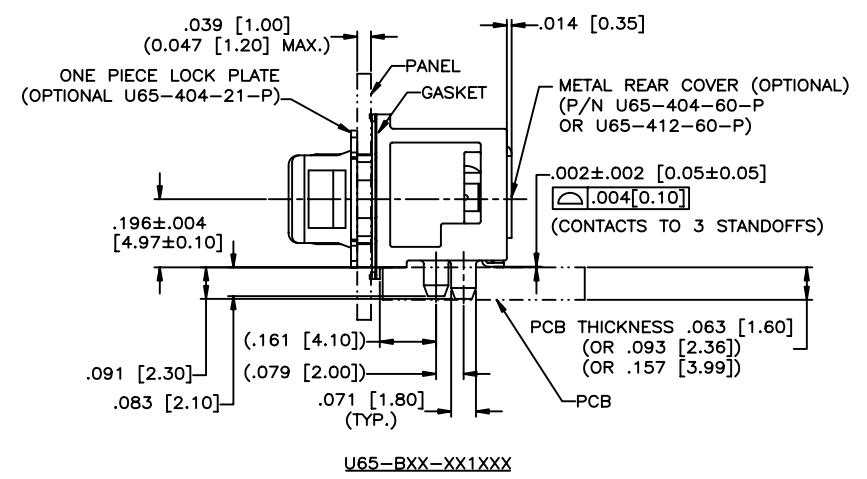
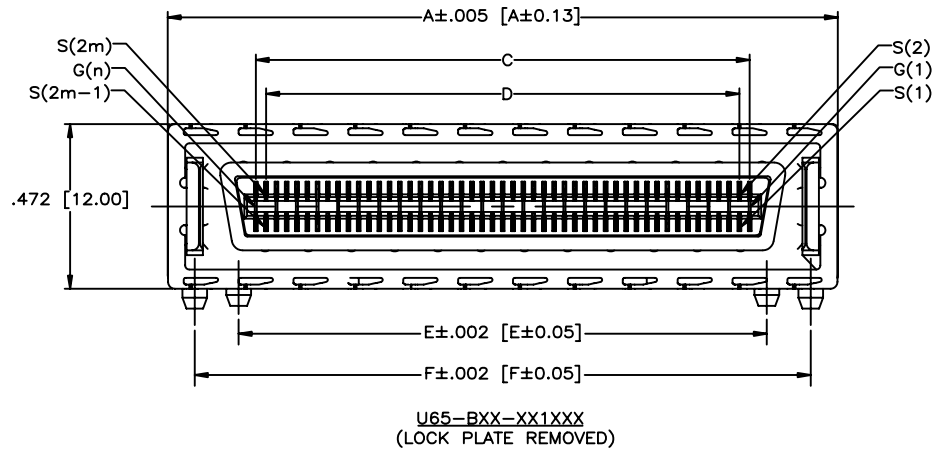
THIS DOCUMENT CONTAINS PROPRIETARY INFORMATION AND SUCH INFORMATION  
 MAY NOT BE DISCLOSED TO OTHERS FOR ANY PURPOSE OR USED FOR MANUFACTURING  
 PURPOSES WITHOUT WRITTEN PERMISSION FROM AMPHENOL CANADA CORP.

DRAWN	M.LONG	DATE	2005/05/16
DESIGNED			
CHECKED	J.SI	DATE	2005/05/16
I. E. APPRD.			
Q. A. APPRD.			
DWG. APPRD.			
ENG. REL. NO.			
REF.			
DIMENSIONS ARE IN	CODE ID. NO.		
INCHES (mm)	03554		

Amphenol Canada Corp.			
TITLE			
INFINITY 4X/12X RECEPTACLE, LANYARD			
STYLE, FIXED BOARD, RIGHT ANGLE SMT,			
LOCATING/SOLDERING POSTS			
DWG	DRAWING NO.	REV.	
A	P-U65-XXX-XX1XXXX	D	
SCALE	2/1	WT.	-----
SURF.	-----	SHEET	1 OF 4

REVISIONS				
SYM	ZONE	ECN, ERN NO.	DATE	APPRD.
C		PROPOSAL	MAY23/06	A.G.
D		PROPOSAL	SEP20/06	A.G.

THIS IS A CAD DRAWING. DO NOT MANUALLY REVISE.



**DIMENSION TABLE:**

PART NUMBER	U65-X04-XX1XXX	U65-X12-XX1XXX
A	.978 [24.85]	1.923 [48.85]
B	.776 [19.70]	1.720 [43.70]
C	.472 [12.00]	1.417 [36.00]
D	.413 [10.50]	1.358 [34.50]
E	.571 [14.50]	1.516 [38.50]
F	.823 [20.90]	1.768 [44.90]
G	.736 [18.70]	1.681 [42.70]
H	.894 [22.70]	1.839 [46.70]
K	.776 [19.70]	1.720 [43.70]
m	m = 1 - 8	m = 1 - 24
n	n = 1 - 9	n = 1 - 25

\*\* REFER TO [mm] AS PRIMARY DIMENSIONS.

DRAWN	M.LONG	DATE	2005/05/16
DESIGNED			
CHECKED	J.SJ	DATE	2005/01/07
I. E. APPRD.			
Q. A. APPRD.			
DWG. APPRD.			
ENG. REL. NO.			
REF.			
DIMENSIONS ARE IN		CODE ID. NO.	03554
INCHES [mm]			

**Amphenol Canada Corp.**

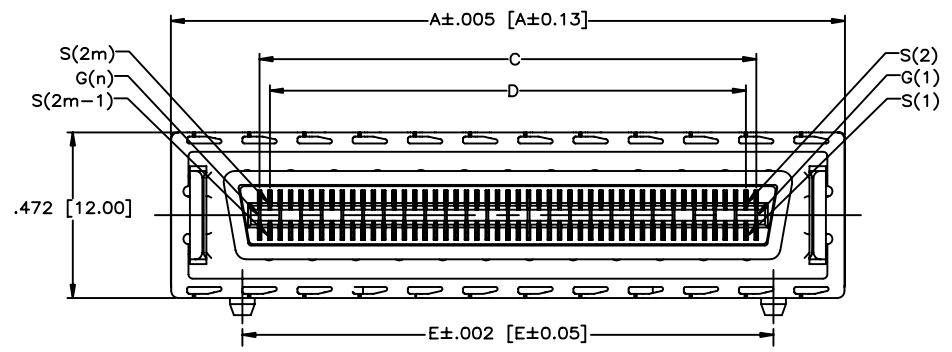
TITLE  
INFINITY 4X/12X RECEPTACLE, LANYARD  
STYLE, FIXED BOARD, RIGHT ANGLE SMT,  
LOCATING/SOLDERING POSTS

DWG	DRAWING NO.	REV.
A	P-U65-XXX-XX1XXXX	D
SCALE	2/1	WT. _____
SURF.	_____	SHEET 2 OF 4

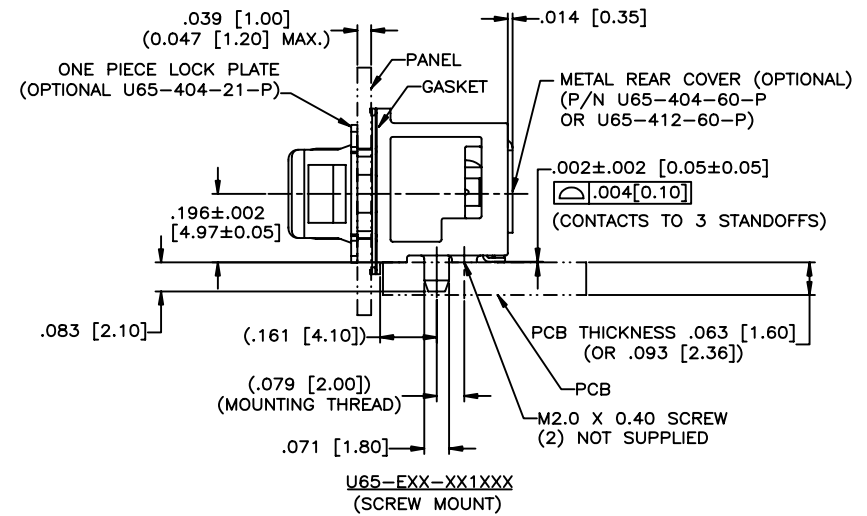
THIS DOCUMENT CONTAINS PROPRIETARY INFORMATION AND SUCH INFORMATION  
MAY NOT BE DISCLOSED TO OTHERS FOR ANY PURPOSE OR USED FOR MANUFACTURING  
PURPOSES WITHOUT WRITTEN PERMISSION FROM AMPHENOL CANADA CORP.

REVISIONS				
SYM	ZONE	ECN, ERN NO.	DATE	APPRD.
C		PROPOSAL	MAY23/06	A.G.
D		PROPOSAL	SEP20/06	A.G.

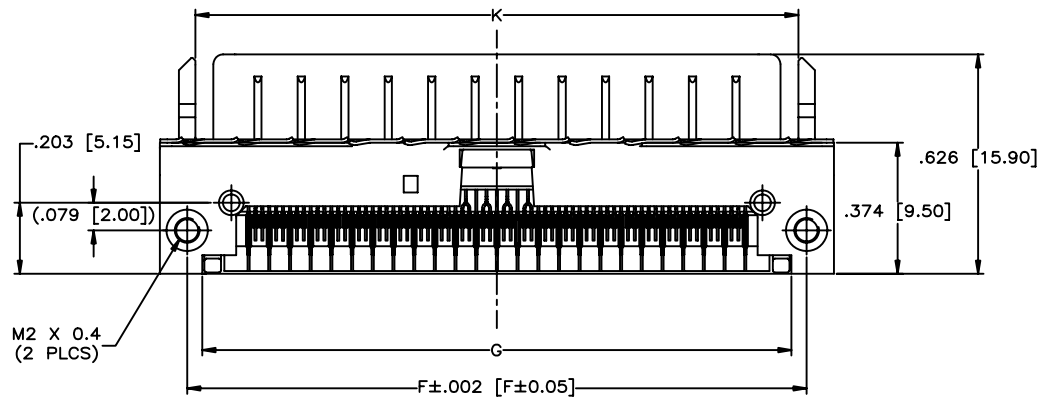
THIS IS A CAD DRAWING. DO NOT MANUALLY REVISE.



U65-FXX-XX7XXX  
(LOCK PLATE REMOVED)



U65-FXX-XX1XXX  
(SCREW MOUNT)



U65-FXX-XX7XXX  
(LOCK PLATE REMOVED)

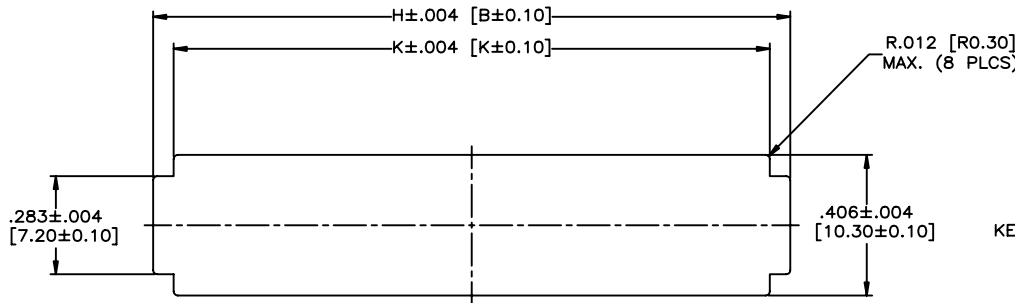
\*\* REFER TO [mm] AS PRIMARY DIMENSIONS.

DRAWN	M.LONG	DATE	2005/05/16	<b>Amphenol Canada Corp.</b>	
DESIGNED					
CHECKED	J.SI	DATE	2005/05/16		
I. E. APPRD.					
Q. A. APPRD.				TITLE	
DWG. APPRD.				INFINITY 4X/12X RECEPTACLE, LANYARD	
ENG. REL. NO.				STYLE, FIXED BOARD, RIGHT ANGLE SMT,	
REF.				LOCATING/SOLDERING POSTS	
DIMENSIONS ARE IN	INCHES [mm]	CODE ID. NO.	03554	DWG	DRAWING NO.
				A	P-U65-XXX-XX1XXXX
				SCALE	2/1
				WT.	-----
				SURF.	-----
				SHEET	3 OF 4
				REV.	D

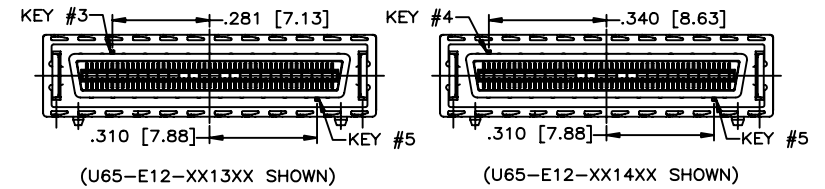
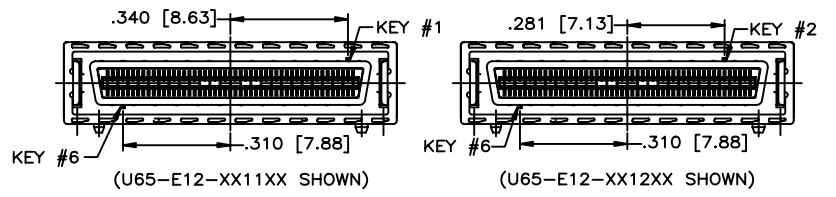
THIS DOCUMENT CONTAINS PROPRIETARY INFORMATION AND SUCH INFORMATION MAY NOT BE DISCLOSED TO OTHERS FOR ANY PURPOSE OR USED FOR MANUFACTURING PURPOSES WITHOUT WRITTEN PERMISSION FROM AMPHENOL CANADA CORP.

REVISIONS				
SYM	ZONE	ECN, ERN NO.	DATE	APPRD.
C		PROPOSAL	MAY23/06	A.G.
D		PROPOSAL	SEP20/06	A.G.

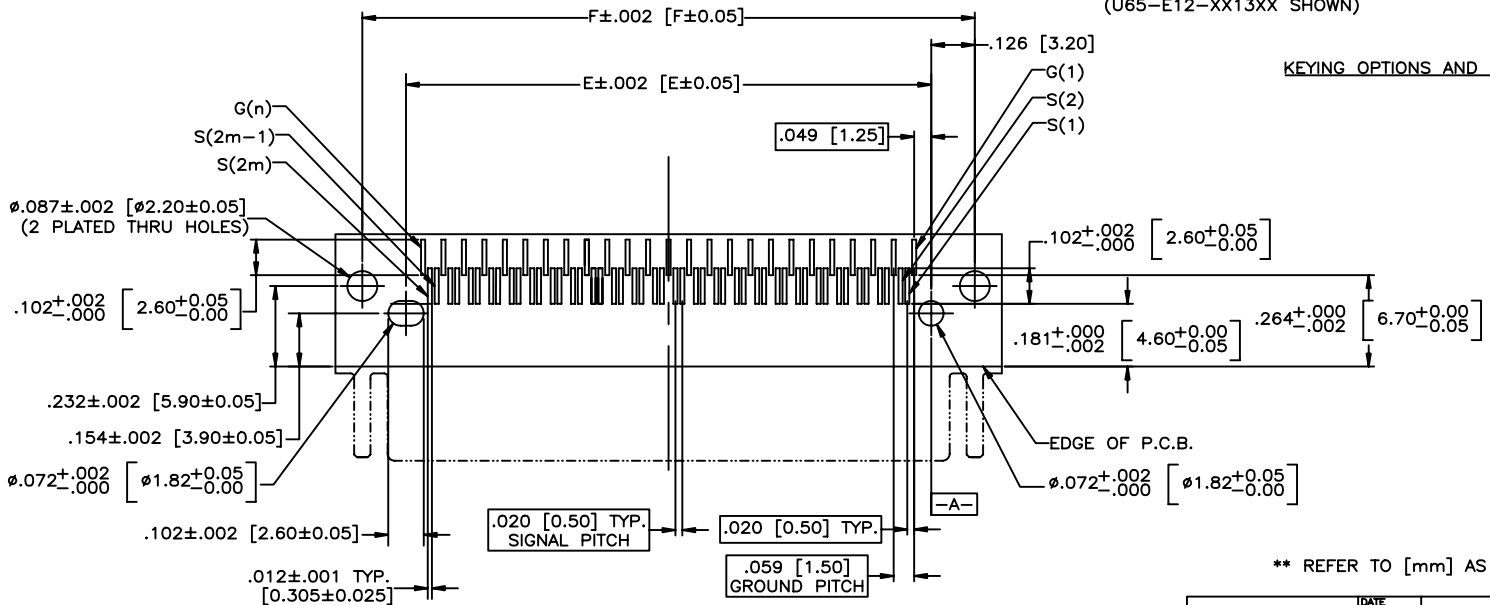
THIS IS A CAD DRAWING. DO NOT MANUALLY REVISE.



RECOMMENDED PANEL CUTOUT



KEYING OPTIONS AND LOCATIONS



RECOMMENDED P.C.B. LAYOUT  
(COMPONENTS SIDE OF BOARD)

\*\* REFER TO [mm] AS PRIMARY DIMENSIONS.

DRAWN	M.LONG	DATE	2005/05/16
DESIGNED			
CHECKED	J.SJ	DATE	2005/05/16
I. E. APPRD.			
Q. A. APPRD.			
DWG. APPRD.			
ENG. REL. NO.			
REF.			
DIMENSIONS ARE IN		CODE ID. NO.	03554
INCHES [mm]			

Amphenol Canada Corp.

TITLE  
INFINITY 4X/12X RECEPTACLE, LANYARD  
STYLE, FIXED BOARD, RIGHT ANGLE SMT,  
LOCATING/SOLDERING POSTS

DWG.	DRAWING NO.	REV.
A	P-U65-XXX-XX1XXXX	D
SCALE	2/1	WT. _____
SURF.	_____	SHEET 4 OF 4

THIS DOCUMENT CONTAINS PROPRIETARY INFORMATION AND SUCH INFORMATION  
MAY NOT BE DISCLOSED TO OTHERS FOR ANY PURPOSE OR USED FOR MANUFACTURING  
PURPOSES WITHOUT WRITTEN PERMISSION FROM AMPHENOL CANADA CORP.