




■ Model name  
**ZD 30-2405** [ex.] **24 05**

Name of series    Output power    Nominal output voltage    CH1: 24V output    CH2: 5V output

- Features
- CE marking (Low Voltage Directive)
  - Wide input voltage range  
85 ~ 132VAC / 170 ~ 265VAC user selectable
  - 12 models, dual output 30 ~ 120W
  - Isolation between outputs
  - Applicable to peak current load (ZD75)
  - 1 year warranty

### Specifications

<b>1. Input voltage range</b>	85 ~ 132VAC / 170 ~ 265VAC (47 ~ 440Hz), 230 ~ 350VDC user selectable
<b>2. Output voltage range</b>	CH1 : +5%, CH2: Fixed (ZD75...CH1: ±5%, CH2: Fixed)
<b>3. Cooling</b>	Convection cooling
<b>4. Operating ambient temperature (Standard mounting)</b>	-10 ~ +60°C Output derating / -10 ~ +50°C: 100%, +60°C: 70% (ZD75...-10°C: 50%, 0 ~ +40°C: 100%, +50°C: 70%, +60°C: 40%)
<b>5. Withstand voltage</b>	Input-output: 3.75kVAC, input-FG: 2.5kVAC, output-FG: 500VAC for 1 min.
<b>6. Safety standard</b>	Approved by UL1950  , CSA950  and EN60950 
<b>7. EMI</b>	Conforms to FCC class B, VCCI-class B and VDE class B
<b>8. Functions</b>	Over voltage protection (CH1), Over current protection

### Product lineup

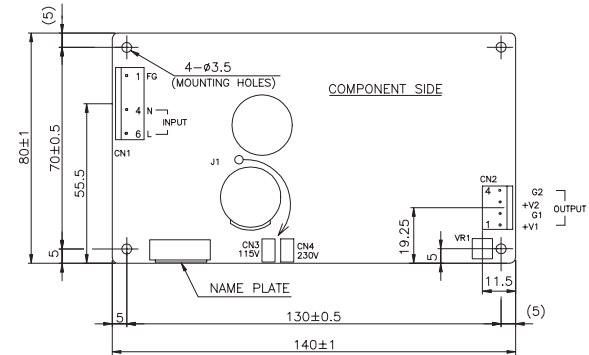
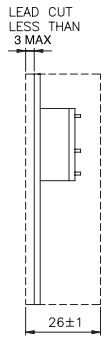
Model name		CH	Nominal output voltage	Max. output current	Max. output power	Total max. output power	UL	CSA	EN
ZD30	ZD30-1205	CH1	12V	2.1A	25.2W	30.2W	○	○	○
		CH2	5V	1A	5W		○	○	○
	ZD30-2405	CH1	24V	1.1A	26.4W	31.4W	○	○	○
		CH2	5V	1A	5W		○	○	○
ZD30-2408	CH1	24V	1.1A	26.4W	32W	○	○	○	
	CH2	8V	0.7A	5.6W		○	○	○	
ZD50	ZD50-1205	CH1	12V	4A	48W	53W	○	○	○
		CH2	5V	1A	5W		○	○	○
	ZD50-2405	CH1	24V	2A	48W	53W	○	○	○
		CH2	5V	1A	5W		○	○	○
ZD50-2408	CH1	24V	2A	48W	53.6W	○	○	○	
	CH2	8V	0.7A	5.6W		○	○	○	
ZD75	ZD75-0512	CH1	5V	3.0A	15.0W	51.0W	○	○	○
		CH2	12V	3.0A	36.0W		○	○	○
	ZD75-0524	CH1	5V	3.0A	15.0W	63.0W	○	○	○
		CH2	24V	2.0A	48.0W		○	○	○
	ZD75-0824	CH1	8V	2.0A	16.0W	64.0W	○	○	○
		CH2	24V	2.0A	48.0W		○	○	○
ZD75-0024	CH1	-	-	-	48.0W	-	-	-	
CH2	24V	2.0A	48.0W	○		○	○		
ZD120	ZD120-1205	CH1	12V	9A	108W	120.5W	○	○	○
		CH2	5V	2.5A	12.5W		○	○	○
	ZD120-2405	CH1	24V	4.5A	108W	120.5W	○	○	○
		CH2	5V	2.5A	12.5W		○	○	○
	ZD120-2408	CH1	24V	4.5A	108W	124W	○	○	○
		CH2	8V	2A	16W		○	○	○

● Request customer specification for further details of specifications, outline, characteristics, etc.  
 Read the instruction manual before usage.  
 ● Contact us about delivery before ordering.

○ : Safety standard approved

# ZD-SERIES

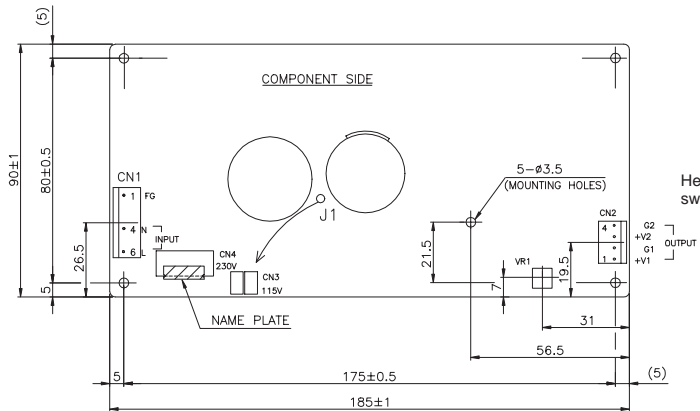
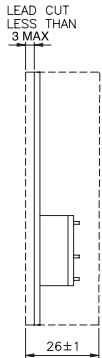
## ZD30



Height of power source unit does not include input switching jumper wire.

● Recommended Noise Filter  
**MAW-1202-22**  
GO!!  
**P134**  
(Unit: mm)

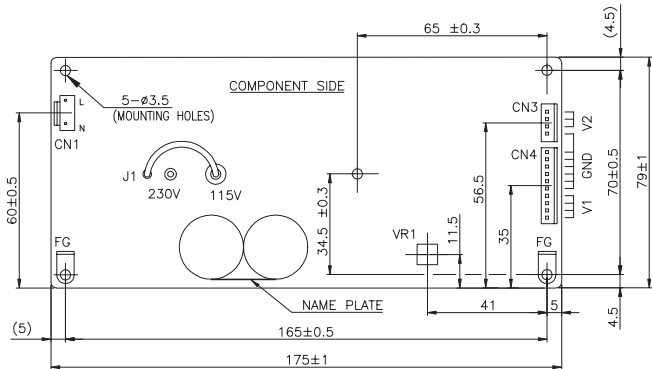
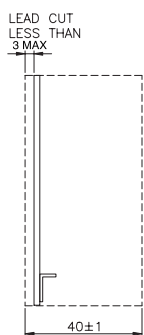
## ZD50



Height of power source unit does not include input switching jumper wire.

● Recommended Noise Filter  
**MAW-1202-22**  
GO!!  
**P134**  
(Unit: mm)

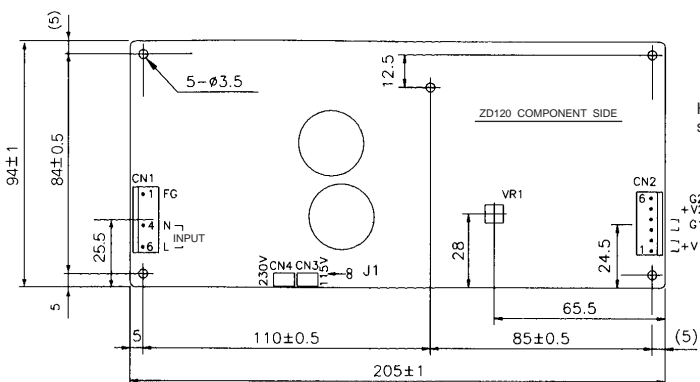
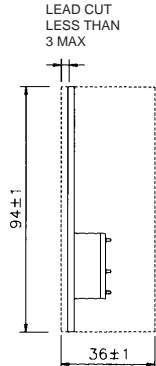
## ZD75



Height of power source unit does not include input switching jumper wire.

● Recommended Noise Filter  
**MAW-1202-22**  
GO!!  
**P134**  
(Unit: mm)

## ZD120



Height of power source unit does not include input switching jumper wire.

● Recommended Noise Filter  
**MAW-1205-22**  
GO!!  
**P134**  
(Unit: mm)