

MICROSWITCH
a Honeywell Division

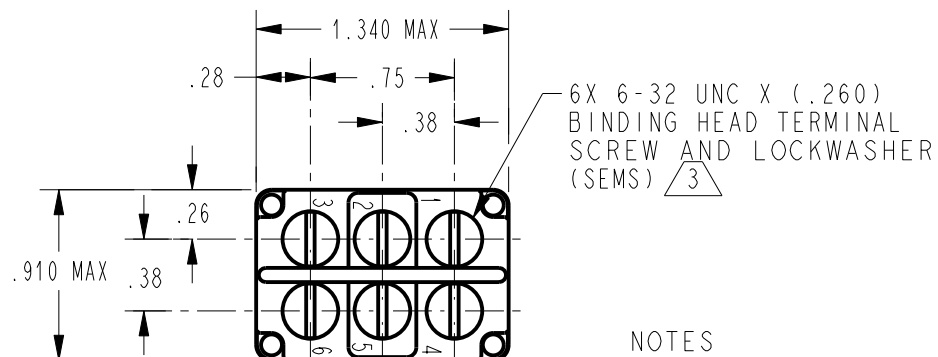
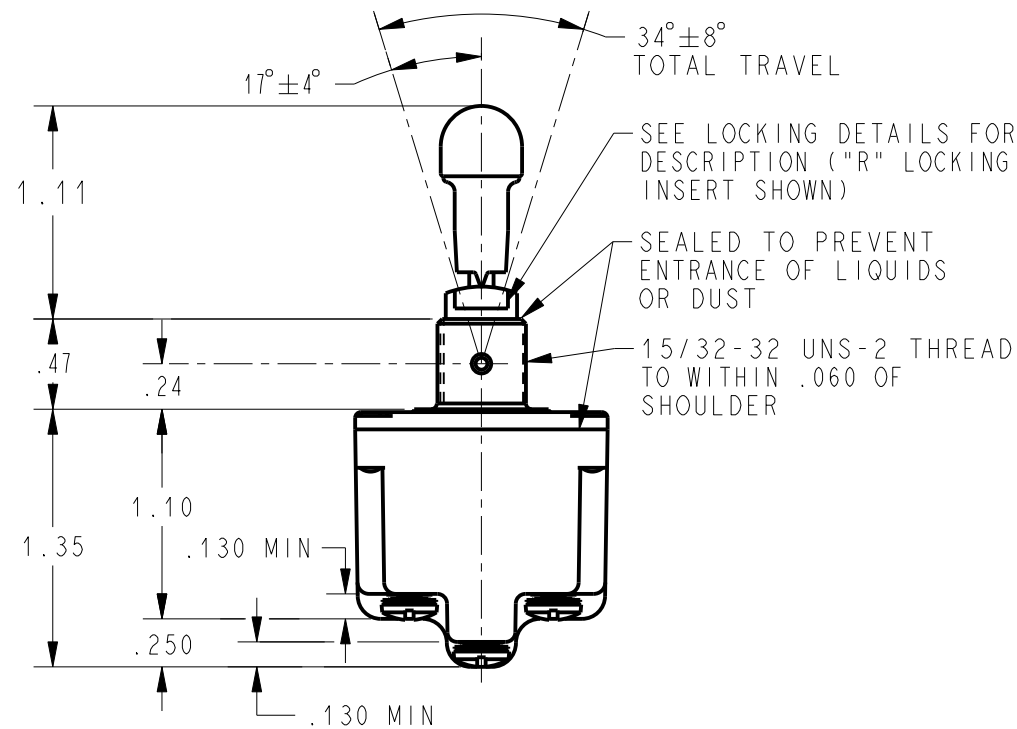
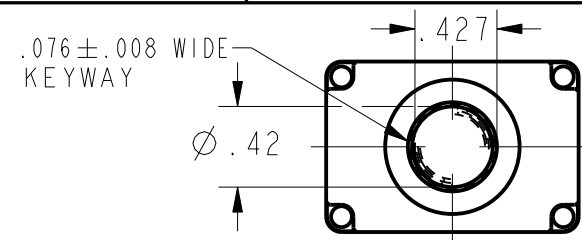
FED. MFG. CODE 91929

SWITCH - TOGGLE

2TL84 SERIES CHART 1

CATALOG LISTING

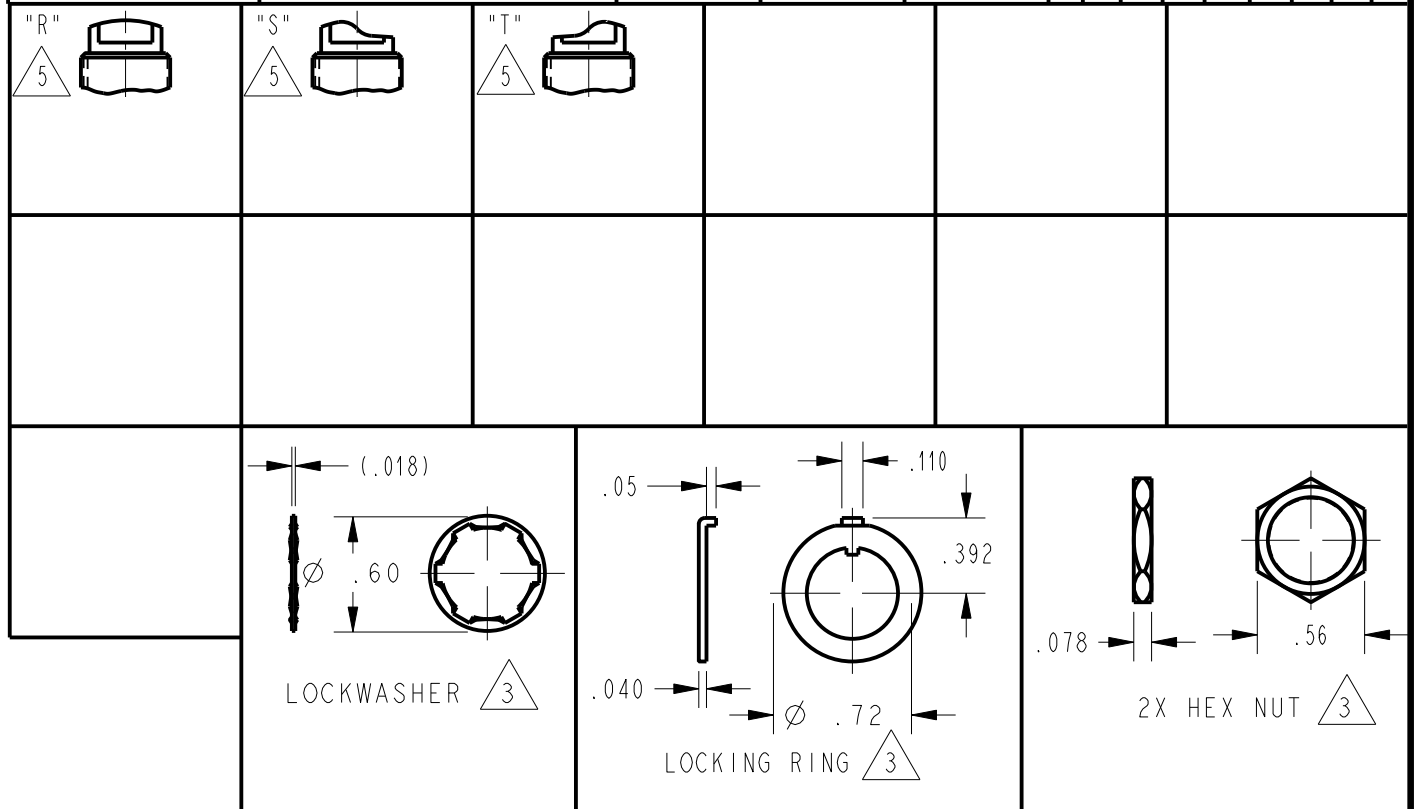
THIS DRAWING COVERS A PROPRIETARY ITEM AND IS THE PROPERTY OF MICRO SWITCH. A DIVISION OF HONEYWELL. THIS DRAWING IS NOT TO BE COPIED OR USED WITHOUT THE APPROVAL OF MICRO SWITCH



NOTES

- 1 - SWITCHES ARE CAPABLE OF WITHSTANDING A TEMPERATURE OF 160°F CONTINUOUSLY AT FULL RATED LOAD
- 2 - CIRCUIT DESIGNATION, MICRO SWITCH CATALOG LISTING MARKED ON SIDE OF SWITCH
- 3 - FURNISHED UNASSEMBLED
- 4 - FOR TERMINAL COVER SEE MICRO SWITCH CATALOG LISTING 5PA8
- 5 - KEYWAY SHOWN ON LEFT SIDE
- 6 - SUFFIX LETTER MUST BE ADDED FOR DESIRED TYPE OF TOGGLE LOCKING. SEE CHART FOR AVAILABLE LOCKING COMBINATIONS
- 7 - APPLIES ONLY TO "ON" AND "MOMENTARY ON" POSITIONS

CATALOG LISTING	AVAILABLE LOCKING COMBINATIONS FOR CONFIGURATION SEE LETTERED DETAILS	CIRCUIT MADE WITH TOGGLE LEVER IN			CURRENT CAPACITY (AMPS)								
		KEYWAY SIDE (1-2, 4-5)	CENTER (1-2, 4-5)	OPPOSITE KEYWAY (2-3, 5-6)	RESISTIVE LOAD				LAMP LOAD				
					DC VOLTS	AC VOLTS	28 VDC	125 VAC	28 VDC	125 VAC			
2TL84-1	R	ON	OFF	ON	20	.75	.5	15	6	7	4	15	15
2TL84-2	R	OFF	NONE	ON									
2TL84-3	R	ON	NONE	ON									
		NONE	OFF	ON									
		NONE	ON	ON	(REFER TO L191 FOR UL RATING)								
		MOM OFF	NONE	ON	18	.75	.5	11	6	5	2	10	8
2TL84-5	R	MOM ON	OFF	ON									
2TL84-6	S	MOM ON	NONE	OFF									
2TL84-7	R	MOM ON	OFF	MOM ON									
2TL84-8	S	MOM ON	NONE	ON	(REFER TO L192 FOR UL RATING)								
2TL84-51	T	NONE	ON	MOM ON									
2TL84-61	S	MOM ON	OFF	NONE									



L191 15A 125, 250, 277 VAC
1/2HP 125 VAC
1HP 250, 277 VAC
5A 125 VAC "L"

L192 10A 125, 250, 277 VAC
1/4HP 125 VAC
1/2HP 250, 277 VAC
3A 125 VAC "L"

THIRD ANGLE PROJECTION
SCALE FULL
DO NOT SCALE PRINT
UNLESS OTHERWISE SPECIFIED TOLERANCES ARE
ONE PLACE (.0) ±.030
TWO PLACE (.00) ±.015
THREE PLACE (.000) ±.005
ANGLES ±
WEIGHT .20 LBS MAX

CATALOG LISTING 2TL84 SERIES CHART 1

REVISIONS	A	204979	GLH	25FEB02
	B	0003037	TSG	05 FEB 04

ISSUE	5
REPLACES	CO-78497
CHECK	MDM
CHECK	25FEB02
CHECK	SAV
CHECK	25FEB02
DRAWN	GLH
PTC/CAD	2D

ANSI Y14.5M-1982 APPLIES