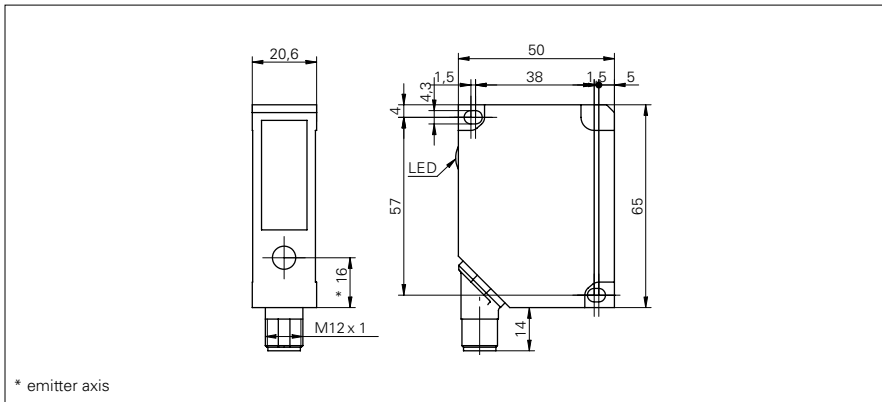


## Distance sensors

## OADM 20 (Laser, RS485 interface, &lt; 250 mm)

## sample drawing



## general data

adjustment	no
power on indication	LED green
soiled lens indicator	LED red
light source	pulsed red laser diode
wave length	650 nm
laser class	2

## measuring distance Sd = 30 ... 50 mm

resolution	< 0,01 mm
linearity error	± 0,03 mm
temperature drift	< 0,015 % Sde/K

## measuring distance Sd = 30 ... 130 mm

resolution	0,05 ... 0,07 mm
linearity error	± 0,15 ... ± 0,22 mm
temperature drift	< 0,03 % Sde/K

## measuring distance Sd = 50 ... 250 mm

resolution	0,1 ... 0,3 mm
linearity error	± 0,3 ... ± 0,8 mm
temperature drift	< 0,03 % Sde/K

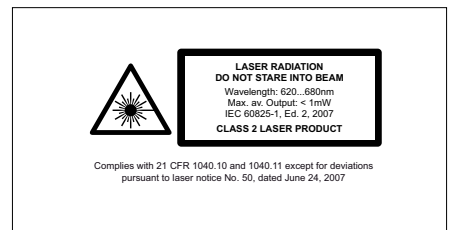
## electrical data

response time / release time	< 10 ms
voltage supply range +Vs	12 ... 28 VDC
current consumption max. (no load)	100 mA
output circuit	RS 485
baud rate	19200
output current	< 100 mA
alarm output	push-pull
short circuit protection	yes
reverse polarity protection	yes, Vs to GND

## sample picture



## laser warning



## remarks

The sensor has a switching output (out) that is activated when the measurement is determined within the range between threshold 1 and threshold 2. Both thresholds can be set via interface.

## Distance sensors

## OADM 20 (Laser, RS485 interface, &lt; 250 mm)

**mechanical data**

width / diameter	20,6 mm
height / length	65 mm
depth	50 mm
type	rectangular
housing material	die-cast zinc
front (optics)	glass
connection types	connector M12 8 pin, rotatable

**ambient conditions**

operating temperature	0 ... +50 °C
protection class	IP 67

order reference	measuring distance Sd	beam type	beam width	beam height	beam diameter	ambient light immunity
<b>OADM 20S4440/S14F</b>	30 ... 50 mm	point	-	-	1 ... 0,4 mm	< 10 kLux
<b>OADM 20S4460/S14F</b>	30 ... 130 mm	point	-	-	2 ... 1 mm	< 7 kLux
<b>OADM 20S4470/S14F</b>	50 ... 250 mm	point	-	-	2 mm	< 3 kLux
<b>OADM 20S4540/S14F</b>	30 ... 50 mm	line	1 ... 0,4 mm	2 mm	-	< 10 kLux
<b>OADM 20S4560/S14F</b>	30 ... 130 mm	line	2 ... 1 mm	3 ... 5 mm	-	< 4 kLux
<b>OADM 20S4570/S14F</b>	50 ... 250 mm	line	2,5 mm	4 ... 10 mm	-	< 2,5 kLux