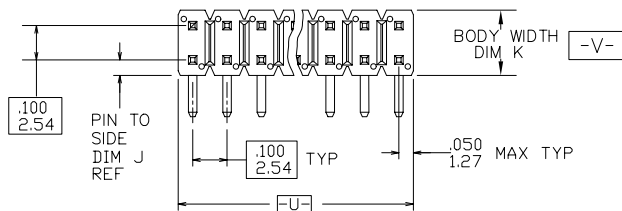


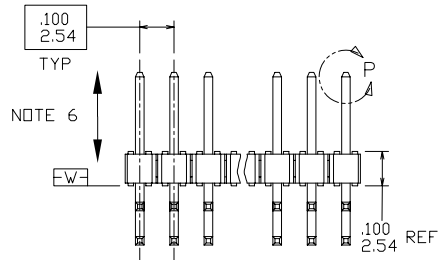
PRODUCT NUMBER

XXXXX-YYYHTLF

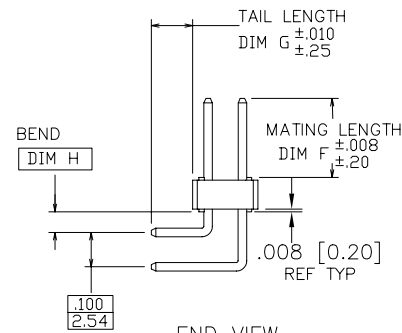
- LEAD FREE OPTION  
SEE NOTE 1,11
- TUBE PACKAGING OPTION  
SEE NOTE 1
- HIGH TEMPERATURE PLASTIC  
SEE NOTE 1
- NO OF POSITIONS  
SEE NOTE 1
- PIN PLATING  
SEE SHEET 2
- BASE PART NO.



TOP VIEW

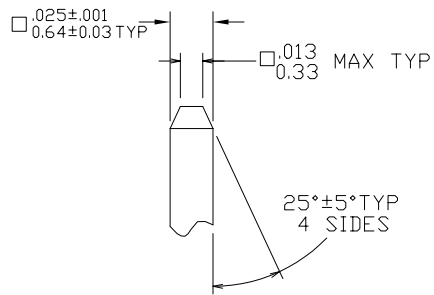


SIDE VIEW



END VIEW

⊕ ∅ .020/.51 (M) U (M) V (S) W  
NOTE 4



DETAIL P  
TYP BOTH ENDS

mat'l. code NOTES 2 & 3		surface ISO 1302 ✓		tolerance ISO 406 ISO 1101		projection ⊕		product family BERGSTIK	
ltr	ecn	no	dr	date	tolerances unless otherwise specified		title		
X	v61654	HTB		11/01/96	angles	linear	.xx±.01/.3	BERGSTIK® II HEADER .100 DR R/A SELF-RET	
Y	v70891	HTB		6/05/97			.xxx±.005/.13		
AA	v71402	HTB		9/29/97	0'±2'		.xxxx±.0020/.051	scale 2:1	
AB	v20801	GIP	4/29/02	dr	D. WITHING	4/08/93			
AC	M04-0234	MHT	12/29/04	engr	T. HANNA	4/08/93		sheet 1 of 4 size 69193 A3	
AD	M05-0072	MHT	5/03/05	chr	T. HANNA	4/08/93			
AE	M06-0269	MNR	7/17/06	appd	T. HANNA	4/08/93		type Product Customer Drawing	
sheet	revision	AE	AE	AE	AE				
index	sheet	1	2	3	4				

PIN PLATING CODES:	
XXXXX-1YY	30u"/0.76u MIN (SEE NOTE 12) OVER 50u"/1.27u MIN Ni
XXXXX-2YY	15u"/0.38u MIN (SEE NOTE 12) OVER 50u"/1.27u MIN Ni
XXXXX-3YY	50u"/1.27u MIN Au OVER 50u"/1.27u MIN Ni
XXXXX-4YY	TIN LEAD OPTION 120u"/3.05u MIN 93/7 SnPb OVER 50u"/1.27u MIN Ni
	LF OPTION 100u"/2.54u MIN Sn OVER 50u"/1.27u MIN Ni (SEE NOTE 1,13)
XXXXX-5YY	15u"/0.38u MIN (SEE NOTE 12) OVER 50u"/1.27u MIN Ni
XXXXX-6YY	30u"/0.76u MIN (SEE NOTE 12) OVER 50u"/1.27u MIN Ni
XXXXX-7YY	30u"/0.76u MIN Au OVER 50u"/1.27u MIN Ni
XXXXX-8YY	15u"/0.38u MIN Au OVER 50u"/1.27u MIN Ni
XXXXX-9YY	15u"/0.38u MIN GXT OVER 50u"/1.27u MIN Ni
XXXXX-0YY	30u"/0.76u MIN GXT OVER 50u"/1.27u MIN Ni

NOTES

1. PART NUMBER OPTIONS:

PIN PLATING CODES (SEE ABOVE)

HIGH TEMP. MATERIAL:

FOR HIGH-TEMPERATURE APPLICATIONS, SPECIFY AN "H" AT THE END OF THE PART NUMBER, AND PCT WILL BE SUPPLIED.

NUMBER OF POSITION:

ANY NUMBER OF POSITIONS FROM 2 (2X1) THRU 72 (2X36).

PACKAGING:

PACKAGED IN POLY BAGS.

EIGHT DIGIT PART NUMBERS FOLLOWED BY A "T" ARE PACKAGED IN TUBES. SEE SPECIFIC PART NUMBERS FOR AVAILABILITY.

LEAD FREE:

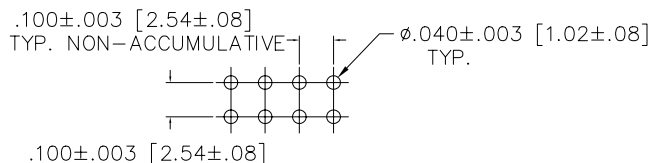
ADD "HLF" SUFFIX AT THE END OF PART NUMBER FOR LEAD FREE OPTION, NOT AVAILABLE FOR -5YY,-5YYH,-6YY & -6YYH.

2. BODY MATERIAL:

MANUFACTURER'S OPTION OF NYLON OR PCT, GLASS FIBER REINFORCED, FLAME RETARDENT PER UL-94V-0. COLOR: BLACK.

PART NUMBERS WITH "H" SUFFIX WILL WITHSTAND EXPOSURE TO 260°C PEAK TEMPERATURE FOR 20 SECONDS IN WAVE SOLDER, INFRA-RED OR VAPOR PHASE SOLDER PROCESS.

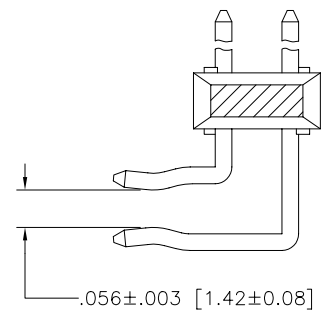
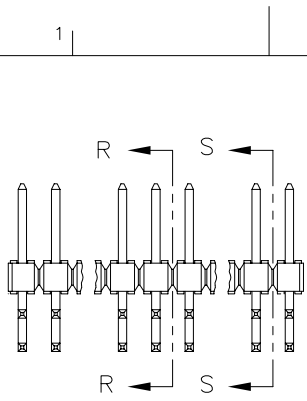
PART NUMBERS WITHOUT "H" SUFFIX WILL WITHSTAND EXPOSURE TO 260°C PEAK TEMPERATURE FOR WAVE SOLDER PROCESS.



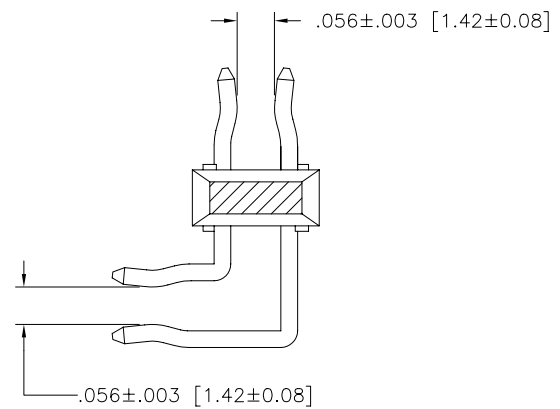
RECOMMENDED HOLE PATTERN

- 3. PIN MATERIAL: PHOS-BRONZE.
- 4. MEASURED WITH PART IN RESTRAINED CONDITION.
- 5. TWO SIDES OF PIN TIPS NOT PLATED. TYPICAL BOTH ENDS.
- 6. 2LBS/0.9KG MIN PIN RETENTION IN EITHER DIRECTION.
- 7. ±.010/0.25 TOL. APPLIES TO ALL "G" TAILS EXCEPT INDICATED PARTS ON TABLE WHERE +.010/0.25,-.000/0.00 APPLIES.
- 8. SECTION R-R DIMENSIONS APPLY SPECIFIED ENDS OF RETENTION PIN POSITIONS ONLY. SEE PRODUCT PART NUMBER FOR SINGLE OR DUAL SIDE RETENTION LOCATED AT MANUFACTURES OPTION.
- 9. SECTION S-S DIMENSIONS APPLY TO DUAL RETENTION PIN POSITIONS ONLY, SEE PRODUCT PART NUMBER FOR SINGLE OR DUAL SIDE RETENTION. LOCATED AT MANUFACTURES OPTION.
- 10. 5LB/2.3KG MAX INSERTION FORCE AND .25LB/.1KG MIN RETENTION FORCE PER RETENTIVE PIN USING .062/1.57 THICK CIRCUIT BOARDS AND RECOMMENDED HOLE PATTERN.
- 11. THESE PRODUCTS MEETS EUROPEAN UNION DIRECTIVES AND OTHER COUNTRY REGULATION AS DESCRIBED IN GS-22-008.
- 12. PLATING OPTIONS: MAY BE EITHER GOLD OR GXT PLATED AT MANUFACTURER'S OPTION.
- 13. "THIS PRODUCT HAS 100% TIN PLATING IN THE INTERFACE AND HAS NOT BEEN TESTED FOR WHISKER GROWTH IN ALL INTERCONNECT ENVIRONMENTS."

mat'l. code		surface ISO 1302 ✓		tolerance ISO 406 ISO 1101		projection ⊕		product family BERGSTIK	
ltr		ecn		no		dr		date	
AE									
				tolerances unless otherwise specified		INCH/MM		title	
				angles		.XX±.01/.3		BERGSTIK® II HEADER	
				linear		.XXX±.005/.13		.100 DR R/A SELF-RET	
				0°±2'		.XXXX±.0020/.051		scale 1:1	
				dr		E. KROPIEWNIK 8/01/96		dwg no	
				enr		T. BREWBAKER 8/01/96		sheet 2 of 4 size	
				chr		T. BREWBAKER 8/01/96		69193 A3	
				app		T. BREWBAKER 8/01/96		type Product Customer Drawing	
sheet index		revision sheet							



SECTION R-R  
NOTE 8



SECTION S-S  
NOTE 9



Copyright FCI

mat'l. code		surface ISO 1302 ✓		tolerance ISO 406 ISO 1101		projection ⊕		product family BERGSTIK	
ltr	ecn no	dr	date	tolerances unless otherwise specified		INCH/MM		title	
AE				angles	linear	.xx±.01/.3 .xxx±.005/.13 .xxxx±.0020/.051		BERGSTIK® II HEADER .100 DR R/A SELF-RET	
				0°±2'		scale 2:1		dwg no sheet 3 of 4 size	
				dr	E. KROPIEWICKI	8/01/96		69193 A3	
				enr	T. BREWBAKER	8/01/96		type Product Customer Drawing	
				chr	T. BREWBAKER	8/01/96			
				app	T. BREWBAKER	8/01/96			
sheet index	revision sheet								

PRODUCT NUMBER	1   MATING LENGTH		TAIL LENGTH		2   3   BEND DIM.		PIN TO SIDE		4   BODY WIDTH		RETENTION	PACKAGING	NOTES	5   LF OPTION
	DIM F	DIM F	DIM G	DIM G	DIM H	DIM H	DIM J	DIM J	DIM K	DIM K				
	ENGLISH	METRIC	ENGLISH	METRIC	ENGLISH	METRIC	ENGLISH	METRIC	ENGLISH	METRIC				
69193-XY	0.230	5.84	0.120	3.05	0.060	1.52	0.045	1.14	0.190	4.83	G TAIL	POLY BAGS	-	NOTE 1,11
78253-XY	N O T A V A I L A B L E													
78276-XY	0.318	8.08	0.120	3.05	0.060	1.52	0.070	1.78	0.240	6.10	G TAIL	POLY BAGS/TUBES	-	
78299-XY	0.230	5.84	0.120	3.05	0.060	1.52	0.070	1.78	0.240	6.10	G TAIL	POLY BAGS/TUBES	-	
86381-XY	0.250	6.35	0.120	3.05	0.060	1.52	0.070	1.78	0.240	6.10	G TAIL	POLY BAGS	-	
87227-XY	0.318	8.08	0.120	3.05	0.060	1.52	0.045	1.14	0.190	4.83	G TAIL	POLY BAGS	-	
87801-XY	N O T A V A I L A B L E													
87845-XY	0.230	5.84	0.085	2.16	0.060	1.52	0.070	1.78	0.240	6.10	G TAIL	POLY BAGS/TUBES	7	
90305-XY	0.165	4.19	0.120	3.05	0.060	1.52	0.070	1.78	0.240	6.10	G TAIL	POLY BAGS/TUBES	7	
93150-XY	0.275	6.99	0.120	3.05	0.060	1.52	0.045	1.14	0.190	4.83	G TAIL	POLY BAGS	-	
93240-XY	0.338	8.59	0.120	3.05	0.060	1.52	0.070	1.78	0.240	6.10	G TAIL	POLY BAGS	-	
94048-XYH	0.380	9.65	0.120	3.05	0.060	1.52	0.070	1.78	0.240	6.10	G TAIL	POLY BAGS	-	NOTE 1,11



Copyright FCI

mat'l. code		surface ISO 1302 <input checked="" type="checkbox"/>		tolerance ISO 406 ISO 1101		projection 		product family BERGSTIK	
ltr	ecn no	dr	date	tolerances unless otherwise specified		INCH/MM		title	
AE				angles	linear	.xx±.01/.3	scale 1:1	BERGSTIK® II HEADER	
				0°±2'		.xxx±.005/.13		.100 DR R/A SELF-RET	
				dr	E. KROPIEWNICKI	7/31/96		dwg no	
				enr	T. BREWBAKER	7/31/96		sheet 4 of 4 size	
				chr	. BREWBAKER	7/31/96		69193 A3	
				appd	. BREWBAKER	7/31/96		type Product Customer Drawing	
sheet index	revision sheet								