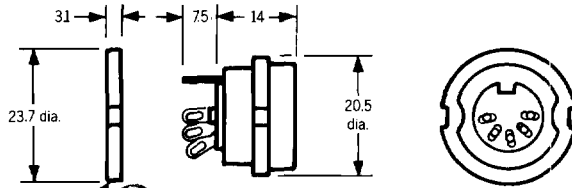


SOCKETS

SINGLE NUT MOUNTING SOCKET



mounting nut
(L.H. thread)

Materials

Fixing nut

Aluminium anodised

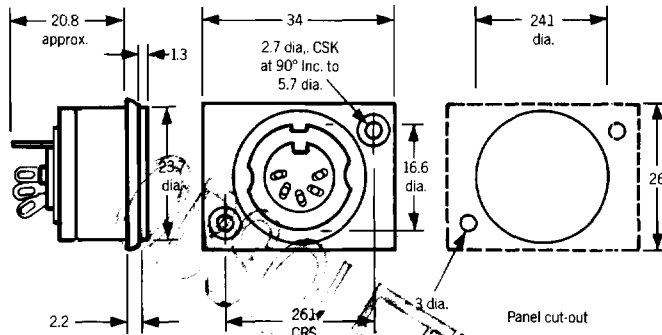
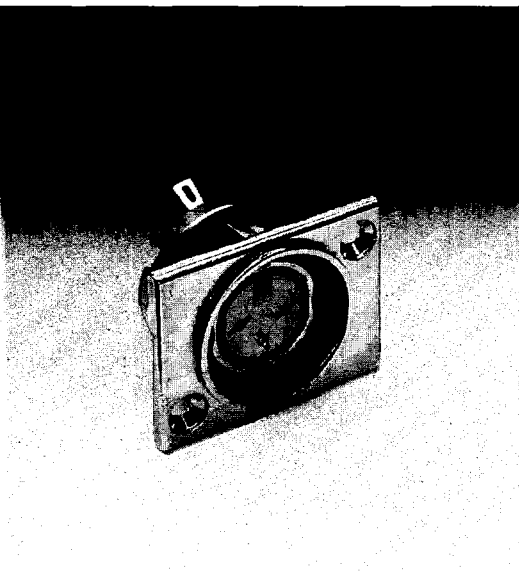
Contact termination

Solder lugs
max conductor dia.
0.9 or 16/0.2mm

Part No L1904C/□/CSN

No of contacts

FLUSH MOUNTING SOCKET



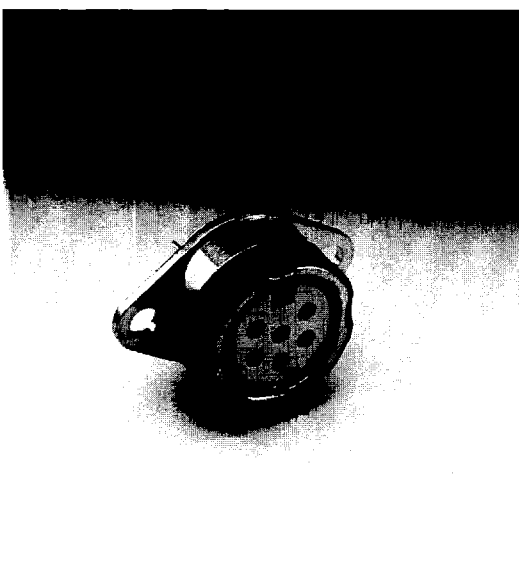
Contact termination

Solder lugs
max conductor dia.
0.9 or 16/0.2mm

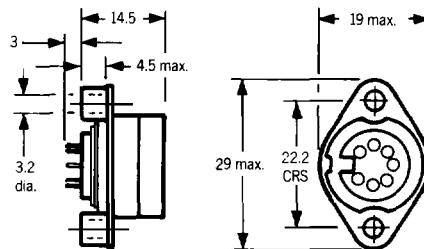
Part No L1904C/□/CSF

No of contacts

PRINTED CIRCUIT SOCKET



Direct P.C.B. Mounting



Materials

Spacers (supplied loose)

Aluminium alloy

Contact termination

Dip solder

Part No L1904C/□/PCS

No of contacts (available in 5,6,7 and 8 way only)