

IEC Appliance Inlet C14 with Line Switch 1- or 2-pole



Description

- Panel Mount:
Snap-in version, from front side Appliance Inlet, Protection class I, Line Switch 1 or 2 pole
- Solder, Quick Connect or Screw Terminals

Approvals

- UL File Number: E45115
- CSA File Number: 1406497

Characteristics

- Line switch non-illuminated or illuminated

References

We recommend for new applications the type DC11
Last order date: 31.12.2014

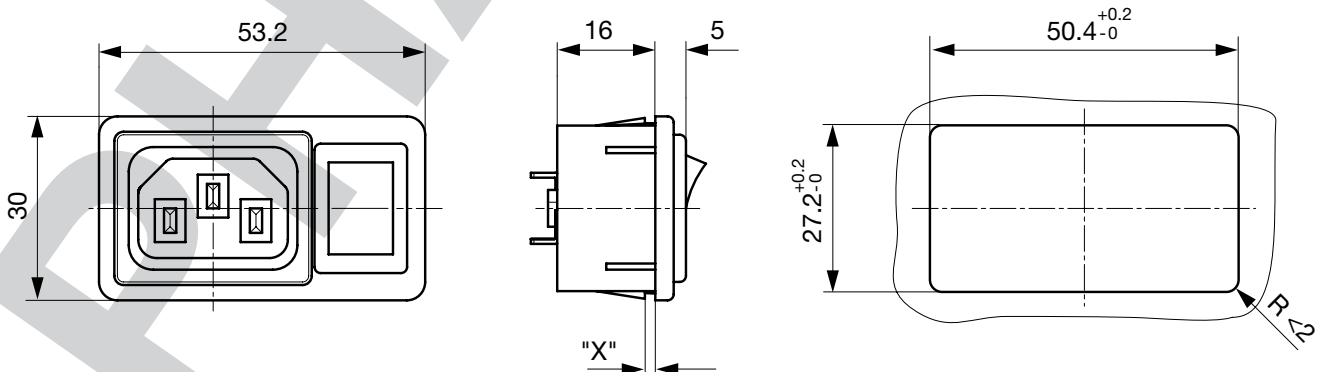
Weblinks

[pdf-datasheet](#), [html-datasheet](#), [General Product Information](#), [Approvals](#), [CE declaration of conformity](#), [RoHS](#), [CHINA-RoHS](#), [Mating Connectors](#), [e-Shop](#), [SCHURTER-Stock-Check](#), [Distributor-Stock-Check](#), [CAD-Drawings](#), [Accessories](#), [Mounting instruction](#), [Detailed request for product](#)

Technical Data

Ratings IEC	10 A / 250 VAC; 50 Hz	Appliance Inlet	C14 acc. to IEC 60320
Ratings UL/CSA	15 A / 250 VAC; 60 Hz		UL 498, CSA C22.2 no. 42 (for cold conditions) pin-temperature 70 °C, 10 A, Protection Class I
Dielectric Strength	> 3 kVAC between L-N > 1.5 kVAC between L/N-PE (1 min/50 Hz)	Line Switch	Rocker switch 1 or 2 pole, illuminated black or grey, acc. to IEC 61058-1
Allowable Operation Temp.	-25 °C to 70 °C		Technical Details
Degree of Protection	from front side IP 20 acc. to IEC 60529		
Protection Class	Suitable for appliances with protection class I acc. to IEC 61140		
Terminal	Solder, Quick Connect or Screw Terminals		
Panel Thickness s	Snap-in Snap-in: 1/1.5/2/2.5/3 mm		
Material: Housing	PA6, black or grey, UL 94V-0		

Dimensions



Length of the terminal please find at the order code configuration table
Dimension "X" please ref. to table order code

Config. Code

6010-K - - A B C N - D - E G O P

The characters are placeholders for the correspondingly keys of selections from the key tables.

6010-K - - A B C N - D - E G O P = Terminals

Terminal L	Configuration key
short solder terminal (L = 4.8 mm)	2
long solder terminal (L = 8.5 mm)	3
Blade terminal (4.8 x 0.8 mm)	8
Blade terminal (6.3 x 0.8 mm)	9
screw terminal	A

6010-K - - A B C N - D - E G O P = Terminals

Terminal N	Configuration key
short solder terminal (L = 4.8 mm)	2
long solder terminal (L = 8.5 mm)	3
Blade terminal (4.8 x 0.8 mm)	8
Blade terminal (6.3 x 0.8 mm)	9
screw terminal	A

Symbols similar as in table A

6010-K - - A B C N - D - E G O P = Terminals

Terminal Ground	Configuration key
short solder terminal (L = 4.8 mm)	2
long solder terminal (L = 8.5 mm)	3
Blade terminal (4.8 x 0.8 mm)	8
Blade terminal (6.3 x 0.8 mm)	9
screw terminal	A

Symbols similar as in table A

6010-K - - A B C N - D - E G O P = Terminal Fuseholder

Terminal Fuseholder	Configuration key

6010-K - - A B C N - D - E G O P = Color

Color	Configuration key
Black	A
Grey	B

6010-K - - A B C N - D - E G O P = Style

Style	Configuration key
snap-in (x=panel thickness)	4

6010-K - - A B C N - D - E G O P = Dimension X

Dimension "X"	Configuration key
15	
20	
25	
30	

The dimension "X" is displayed in ($1/10$ mm). This information is also valid for the order code

6010-K - - A B C N - D - E G O P = Features

Features	Configuration key
not used	0

6010-K - - A B C N - D - E G O P = Switches

Switches	Configuration key
unipolar switch, 4,8mm blade terminal, black rocker	2
unipolar switch, solder terminal, black rocker	3
bipolar switch, 4,8mm blade terminal, black rocker	4
bipolar switch, solder terminals, black rocker	5
bipolar switch, 4,8mm blade terminal, rocker red illuminated	6
bipolar switch, solder terminal, rocker red illuminated	7
bipolar switch, 4,8mm blade terminals, rocker green illuminated	8
bipolar switch, solder terminals, rocker green illuminated	9

Packaging unit 50 Pcs

Mating Outlets/Connectors

Category / Description



Appliance Outlet Overview complete

IEC Appliance Outlet F, Screw-on Mounting, Front Side, Solder Terminal	4787
IEC Appliance Outlet F, Snap-in Mounting, Front Side, Solder or Quick-connect Terminal	4788
IEC Appliance Outlet F or H, Screw-on Mounting, Front Side, Solder, PCB or Quick-connect Terminal	5091

Appliance Outlet further types to 6010-K



Connector Overview complete

IEC Connector C15A, Rewireable, Straight	0102
IEC Connector C15A, Rewireable, Straight	0102-G
IEC Connector C15A, Rewireable, Angled	0112
IEC Connector C13, Rewireable, Angled	4012
IEC Connector C13, Rewireable, Straight	4022

Connector further types to 6010-K ...



Power Supply or Interconnection Cord Overview complete

Diverse Power Supply and Interconnection Cords 10 A	Cord Sets 10 A
---	----------------

Power Supply or Interconnection Cord further types to 6010-K

PHASE