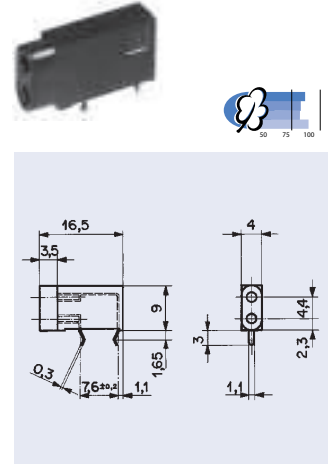
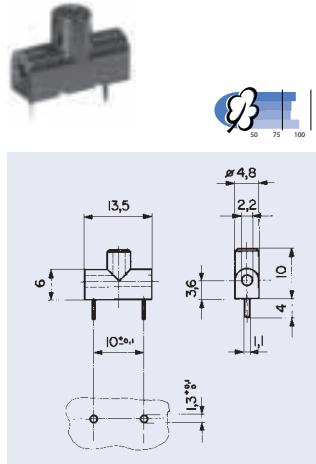


TEST JACKS, TEST PROBES

Ø 2 mm

PCB mounting



Contact system



Rated current

6,3 A

Contact resistance

< 7 mΩ

< 7 mΩ

at 20 mV

Insulation resistance, 1 min.
contact to contact

> 10⁴ MΩ

Contact/mounting plate

> 10⁴ MΩ

> 10⁴ MΩ

Dielectric strength,
50 Hz, 1 min.
contact to contact

> 2 kV

Contact/mounting plate

> 1 kV

> 2 kV

Temperature at no current

-25 °C up to +100 °C

at rated current

-25 °C up to +70 °C

Solderability

2 sec., 235 °C IEC 68-2-20 test Ta, test method 1

Resistance to soldering heat

5 sec., 260 °C IEC 68-2-20 test Tb, test method 1 A

Surface of contacts
(average thickness)

0,5 μm Au

2,0 μm Au

Tin-plated contacts
on request

Type / Typ

PB	
Order No.	0040.1021 black
Color	0040.1022 red
	0040.1024 blue

PB	
Order No.	0040.1151 black
Color	0040.1152 red