

FEATURES

- 14 pin DIL package with 'Gull-Wing' formed leads for SMD
- Wide frequency range 20kHz to 160MHz
- Choice of supply voltage 3.3 Volts or 5.0 Volts DC
- Hermetically sealed package for reliability and low ageing
- Optional Tristate function (Enable/Disable)
- Custom frequencies readily available

DESCRIPTION

The Euroquartz EQXO-1000GW series of 14 pin dual-in-line oscillators consist of a Universal, TTL and CMOS compatible hybrid substrate and quartz crystal in a hermetically-sealed package. For use in surface-mount printed circuit boards the leads are formed in 'Gull-Wing' outline.

SPECIFICATION

Series Model Number:	EQXO-1000GW
Frequency Range:	20kHz to 160MHz
Frequency Stability*:	See table
Supply Voltage:	+5.0VDC±10% or 3.3VDC±5%
Output Load	
HCMOS:	15pF standard, 50pF available
TTL:	2 to 10TTL gates
Symmetry	
HCMOS:	40/60% measured at 50%Vdd
TTL:	40/60% measured at 1.4 Volts
Operating Temperature Range	
Commercial:	0° to +70°C
Industrial:	-40° to +85°C
Storage Temperature Range:	-55° to +105°C
Start-up Time:	5ms typical, 10ms max.
Current Consumption:	15mA ~ 45mA (frequency dependant)
Tristate Option: Output is high impedance when	'0' (<0.8 Volts) is applied to Pin 1, (internal pull-up). Disable time = 150ns max.

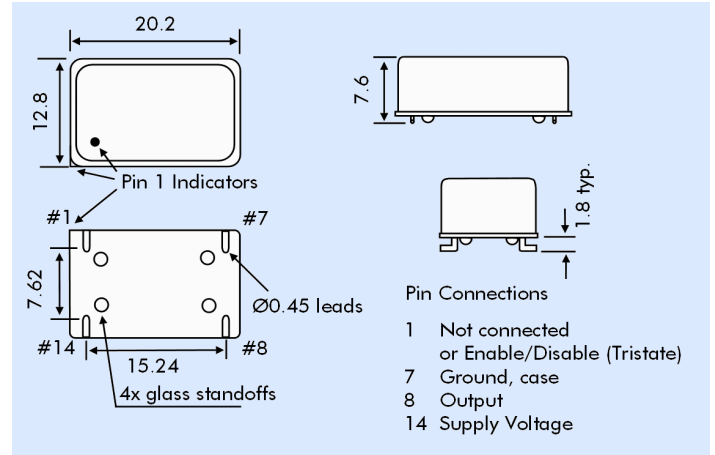
* The frequency stability parameter is inclusive of frequency adjustment at 25°C and any variations due to load change, ageing, supply voltage change (±10%) and variations attributable to shock and vibration.

HCMOS/TTL Voltage Levels

Input Voltage:	+3.3 VDC	+5.0 VDC
Frequency Range:	20kHz ~ 125MHz	20kHz ~ 160MHz
Output Voltage		
TTL HIGH '1':	2.4 V min.	2.4V min.
HCMOS HIGH '1':	2.97 V min.	Vcc - 0.5V min.
TTL LOW '0':	0.4V max.	0.4V max.
HCMOS LOW '0':	0.33V max.	0.5V max



OUTLINE & DIMENSIONS



MODEL NUMBERS

Model Number	Stability over O.T.R. (ppm)	Operating Temperature Range
EQXO-1010UC-GW	±10ppm	0° ~ +50°C
EQXO-1015UC-GW	±15ppm	0° ~ +70°C
EQXO-1025UC-GW	±25ppm	0° ~ +70°C
EQXO-1050UC-GW	±50ppm	0° ~ +70°C
EQXO-1100UC-GW	±100ppm	0° ~ +70°C
EQXO-1025UI-GW	±25ppm	-40° ~ +85°C
EQXO-1050UI-GW	±50ppm	-40° ~ +85°C
EQXO-1100UI-GW	±100ppm	-40° ~ +85°C

PART NUMBER GENERATION

EQXO-1000GW series oscillator part numbers are derived as follows: Example: 10.000MHz EQXO-1050UIT3-GW:

