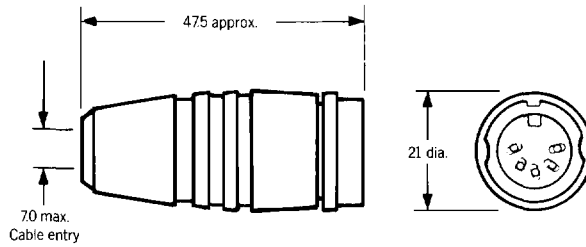


FREE SOCKET

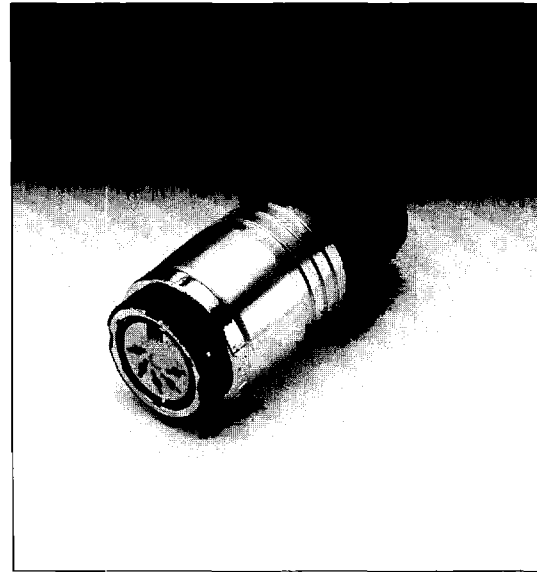
SOCKETS



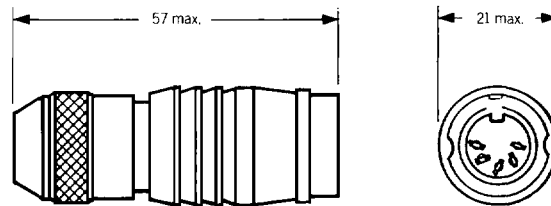
Contact termination Solder lugs
max conductor dia.
0.9 or 16/0.2mm

Part No L1904A/□/FS

No of contacts



SCREENED FREE SOCKET

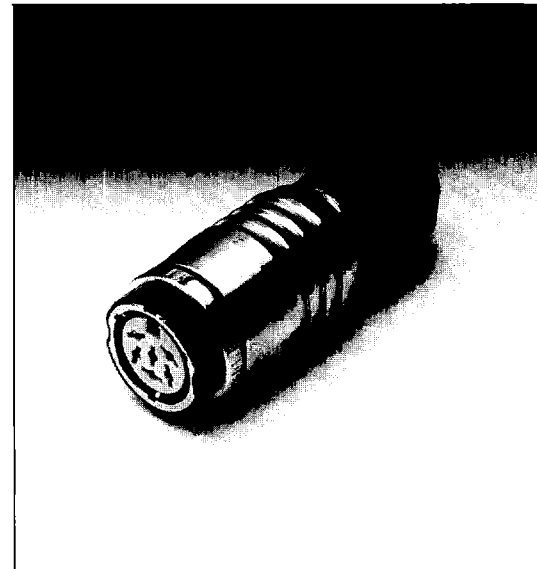


Materials Body Zinc alloy, nickel plated
Brass, nickel plated

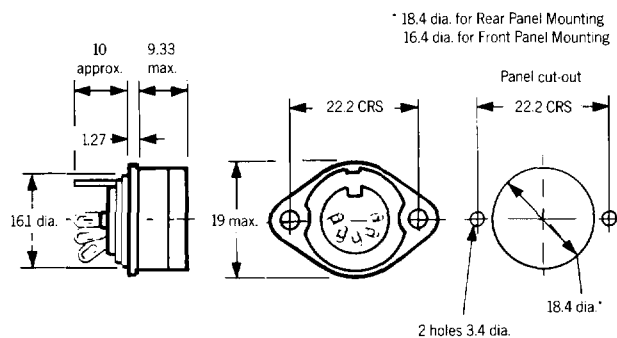
Contact termination Solder lugs
max conductor dia.
0.9 or 16/0.2mm

Part No L1904C/□/FS

No of contacts



SURFACE MOUNTING SOCKET



Contact termination Solder lugs
max conductor dia.
0.9 or 16/0.2mm

Part No L1904C/□/CS

No of contacts

