

AT-Cut Crystal - Square Wave - 3.3 Volts

- For high stability STRATUM 2 applications
- Low Jitter
- ± 0.6 ppm overall frequency tolerance over 15 years
- Full size 14 pin dual-in-line package
- Supply Voltage 3.3 Volts
- AT-Cut Crystal
- EFC (Voltage control) as standard



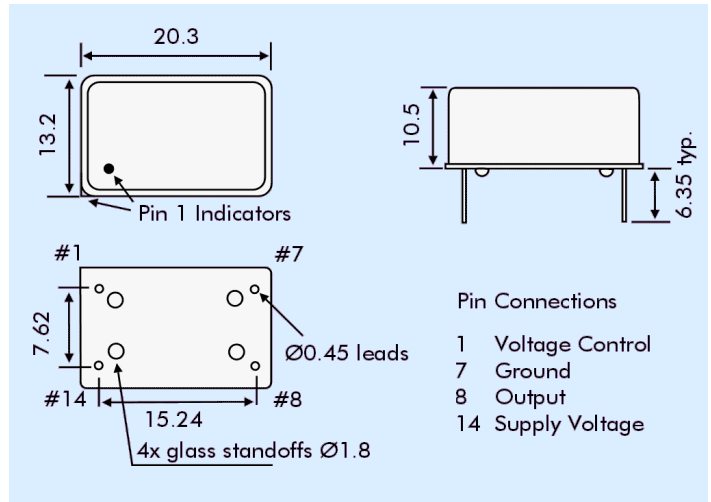
DESCRIPTION

OC14T33A series oven-controlled crystal oscillators are intended for Stratum 2 applications requiring low jitter and tight stability < 0.6 ppm overall frequency tolerance over 15 years.

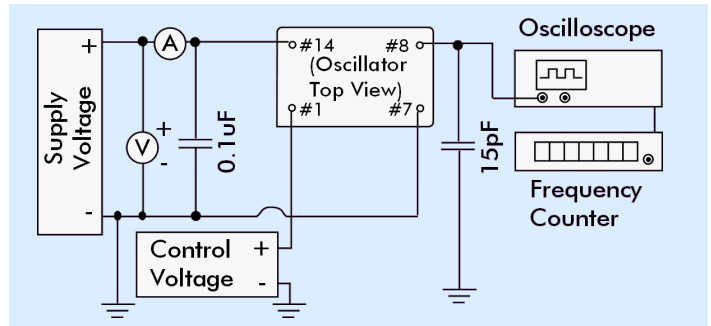
SPECIFICATION

Crystal Cut:	AT-cut
Output Waveform:	Square Wave
Supply Voltage:	+3.3 VDC ± 0.15 V
Frequency Range:	1.25MHz to 100.0MHz
Initial Calibration Tolerance:	± 0.5 ppm maximum
Frequency Stability	
over 0° to +60°C:	± 0.2 ppm typical ± 0.075 ppm available
over -20° to +70°C:	± 0.3 ppm typical ± 0.15 available
over -40° to +85°C:	± 0.5 ppm typical ± 0.25 ppm available
vs. Voltage Change:	< 0.1 ppm for ± 0.15 V change
vs. Ageing:	± 0.7 ppm first year $< \pm 4$ ppm over 10 years
vs. Load Change:	< 0.01 ppm for $\pm 5\%$ change
Warm-up Time:	5 minutes maximum
Voltage Control	
Control Voltage Centre:	+1.65 Volts (V _{CON})
Freq. Deviation Range:	± 4.0 ppm min., ref. to 25°C
Control Voltage Range:	0V to +3.3Volts
Transfer Function:	Positive: Increasing control voltage increases output frequency.
Input Impedance:	47k Ω minimum
EFC Linearity:	$\pm 10\%$ maximum
Power Dissipation:	1.5W max. at steady state 2.5W max. at turn on

OUTLINE & DIMENSIONS



TEST CIRCUIT



PART NUMBER FORMAT

Example: **OC14GT33A-10.000-0.15/-20+70**

OCXO Package: OC14

RoHS Compliance

G: RoHS Compliant

Blank: Non-compliant

T: Output Squarewave

33: Supply Voltage 3.3Volts

A: AT-Cut Crystal

Nominal Frequency 10.0MHz

Stability in ppm

Operating Temperature Range °C

Lowest Temperature/Highest Temperature

Output

Load:	10 LS or 47pF
Output Logic HIGH:	+2.8V minimum
Output Logic LOW:	0.4V maximum
Duty Cycle:	50% $\pm 10\%$
Rise/Fall Time:	7ns max (20%~80%) Frequency dependant

Environmental

Storage Temperature:	-65° to +125°C
Shock:	2000g, 0.3ms 1/2 sine
Vibration:	10 ~2000Hz / 10g

PHASE NOISE (at 10MHz)

Offset	dBc/Hz
1Hz	-80
10Hz	-110
100Hz	-135
1kHz	-145
10kHz	-150