

Clock Oscillators (SMD)

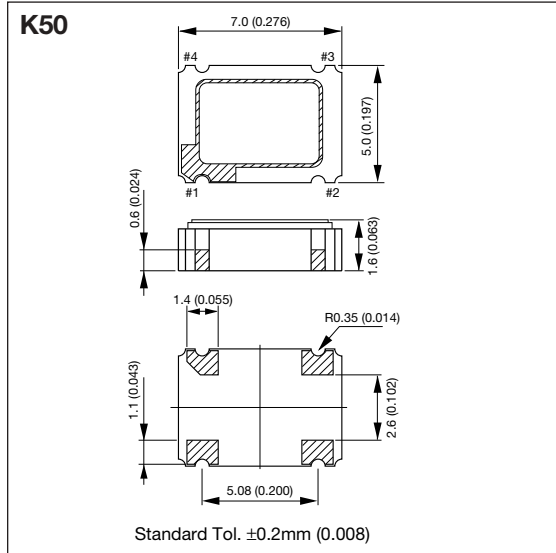


K50-3C Series (3.3V)

K50 SERIES



DIMENSIONS millimeters (inches)



FEATURES

- High reliable SMD ceramic package
- Frequency range = 8MHz to 80MHz
- Frequency tolerance = $\pm 100\text{ppm}$, $\pm 50\text{ppm}$
- Tristate output inhibit

APPLICATIONS

- PDAs
- Switches
- Routers
- Servers

HOW TO ORDER

K50 - 3C 1 □ E 40.0000M R

Series
K50 - 3C

Tolerance
1 = $\pm 100\text{ppm}$
0 = $\pm 50\text{ppm}$

Frequency (MHz)

8.00000	27.0000	49.0000
13.0000	29.4989	49.1520
14.31818	30.0000	50.0000
16.0000	32.0000	53.1250
20.0000	33.8688	64.0000
24.0000	35.3280	66.6667
24.5760	40.0000	80.0000
25.0000	44.0000	—

Package
R = Tape and reel, 1,000 pcs/reel

Enable/Disable Function
E = with function (STD)

Duty Ratio
□ = 40% to 60% (STD)
S = 45% to 55% ($f > 20\text{MHz}$)

PIN CONNECTION ENABLE/DISABLE

Pin #	Function
1	CONTROL
2	CASE GND
3	OUTPUT
4	+V _{CC}

Pin #1	Pin #3
"H" or Open	Oscillation
"L"	High Impedance or Oscillation Stop

SPECIFICATIONS

Items	Code	Rating	Unit	Remarks
Output Frequency	F _{OUT}	8 to 80	MHz	—
Frequency Tolerance	$\Delta F/F$	± 100 , ± 50	ppm	Over all conditions
Aging	$\Delta F/F$	± 5	ppm/y	@ 25°C
Operating Temperature	T _{OPR}	-10 to 70	°C	—
Storage Temperature	T _{STR}	-55 to 125	°C	—
Supply Voltage	V _{CC}	3.3 \pm 0.3	V	—
Supply Current	I _{CC}	25 max.	mA	Loaded @ 80MHz
Disable/Stand by Current	I _{DE} /I _{ST}	10 max.	μA	8 \leq F \leq 32MHz
		15 max.	mA	32<F \leq 50MHz
		10 max.	μA	50<F \leq 80MHz
Duty Ratio	SYM	40 to 60	%	0.5V _{CC} DC Level
Output 0 Level	V _{OL}	0.1V _{CC} max.	V	I _{OL} = 8mA
Output 1 Level	V _{OH}	0.9V _{CC} min.	V	I _{OH} = -8mA
Rise/Fall Time	T _R , T _F	10 max.	nsec	0.1V _{CC} -0.9V _{CC}
Load Capacitance	C _L	15 max.	pF	—
Enable/Disable Time	—	5 max.	msec	8 \leq F \leq 32MHz
		150 max.	nsec	32<F \leq 50MHz
		5 max.	msec	50<F \leq 80MHz
Input Voltage Low	V _{IL}	0.3V _{CC} max.	V	—
Input Voltage High	V _{IH}	0.7V _{CC} min.	V	—
Start-up Time	ST	10 max.	mS	Minimum Operating Voltage to be 0sec

*Please contact us for inquiries about Extend Operating Temperature Range (-40 to +85°C), available frequencies, other condition.

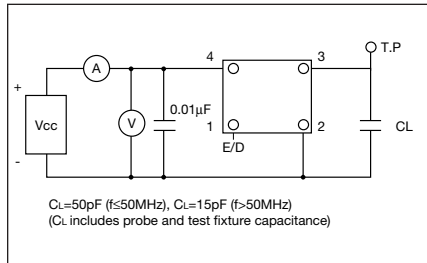
Clock Oscillators



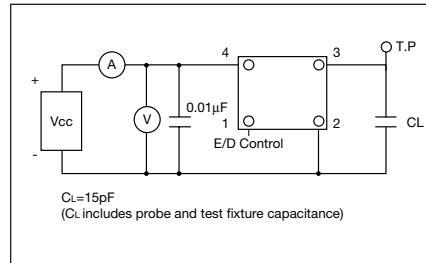
K30/K50 Series

Kyocera has a wide range of clock oscillators with frequency and package size to match the various customer requirements.

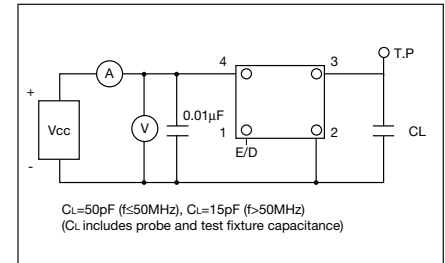
K50/K30 HC SERIES TEST CIRCUIT



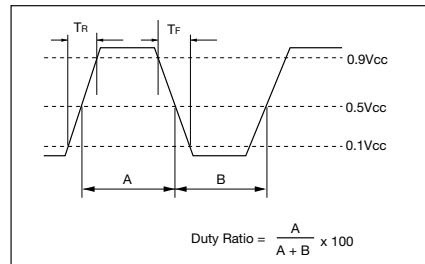
K50/K30 3C SERIES TEST CIRCUIT



K50H 3C SERIES TEST CIRCUIT



OUTPUT WAVE FORM FOR ALL SERIES



SPECIFICATIONS

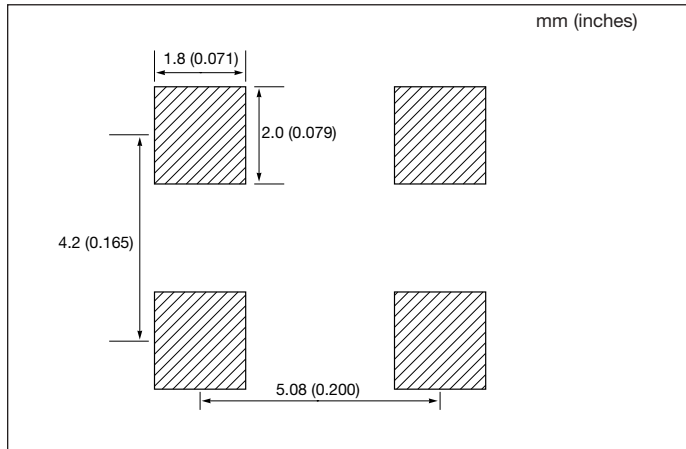
Type	Frequency Range (MHz)	Load	Drive Level	Duty Ratio	Features
K50-HC	8 to 68	CL=50pF (max.) (f_c≤50MHz)	CMOS V _{OH} 0.9V _{CC} V _{OL} 0.1V _{CC}	45/55% (0.5V _{CC})	1. IR Reflowable 2. Mini-SMD 3. Tristate Output, Enable/Disable Function F>50MHz CL=15pF
K50-3C	8 to 80	CL=15pF (max.)	CMOS V _{OH} 0.9V _{CC} V _{OL} 0.1V _{CC}	40/60% (0.5V _{CC})	1. 3.3V Available 2. IR Reflowable 3. Mini-SMD 4. Tristate Output, Enable/Disable Function
K50H-3C	50 to 160	CL=15pF (max.)	CMOS V _{OH} 0.9V _{CC} V _{OL} 0.1V _{CC}	45/55% (0.5V _{CC})	1. 3.3V Available 2. IR Reflowable 3. Mini-SMD 4. Tristate Output, Enable/Disable Function
K30-HC	8 to 50	CL=50pF (max.) (f_c≤50MHz)	CMOS V _{OH} 0.9V _{CC} V _{OL} 0.1V _{CC}	45/55% (0.5V _{CC})	1. IR Reflowable 2. Mini-SMD 3. Tristate Output, Enable/Disable Function
K30-3C	8 to 67	CL=15pF (max.)	CMOS V _{OH} 0.9V _{CC} V _{OL} 0.1V _{CC}	40/60% (0.5V _{CC})	1. 3.3V Available 2. IR Reflowable 3. Mini-SMD 4. Tristate Output, Enable/Disable Function

Clock Oscillators (SMD)

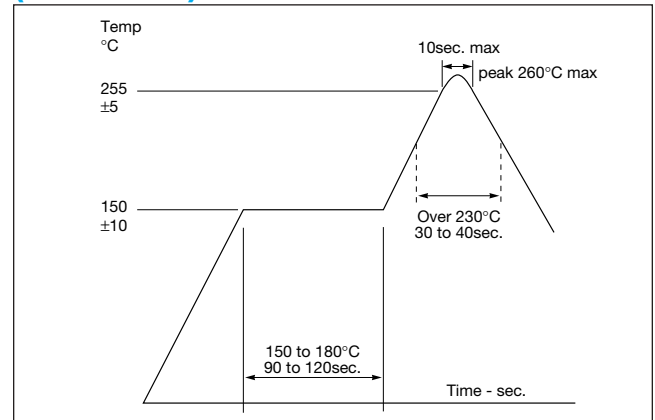


K50/K50H Series

RECOMMENDED LAND PATTERN

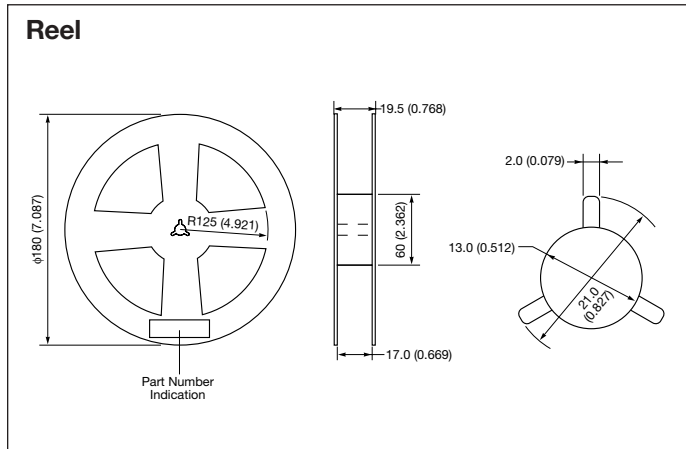


RECOMMENDED REFLOW PROFILE (Lead Free)

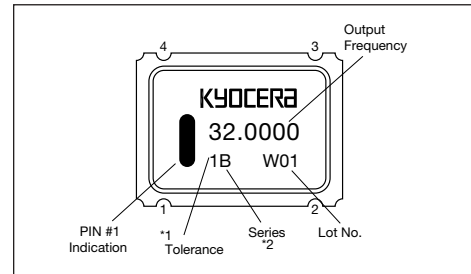


PACKAGING

millimeters (inches)

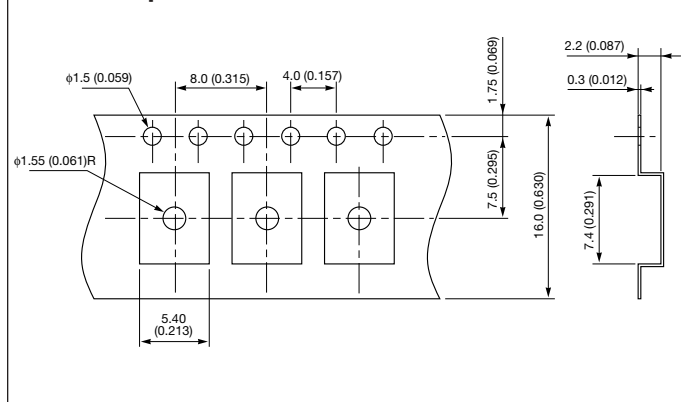


MARKING SPECIFICATIONS



- *1 1 = ± 100 ppm
0 = ± 50 ppm
S = ± 30 ppm
U = ± 25 ppm
- *2 B = K50-HC
L = K50-3C-E
M = K50-3C-SE
D = K50-CL
H = K50H-3C-SE

Carrier Tape



PACKAGING

1,000pcs/Reel