

Fuel tank connectors

DCS-1/RCS

5 way sealed connector system for 2.8 mm + Ø 2.5 mm terminals

Features

5 position female housing :

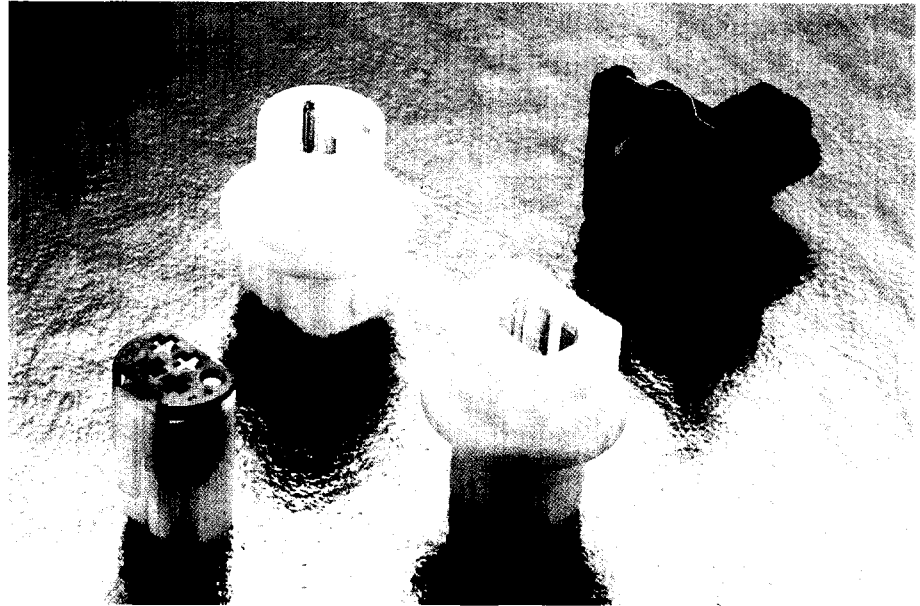
- Waterproof application with single wire seal
- Flat interface seal
- Double row 5 mm staggered pitch
- Additional terminal locking device pre-assembled on front part of the female housing
- Metal locking feature
- Mechanical polarization
- Several colours available

5 position through flange male connector :

- Moulded-in 2.8 mm + Ø 2.5 mm male terminals
- Flat sealing against tank cover plate

5 position under flange female housing :

- Non waterproof housing
- Additional terminal locking device pre-assembled on front part of the female housing
- Plastic locking feature
- Mechanical polarization



Part Numbers	No. of Position	Terminal size	Waterproof	Type	Colour
6 021 05 11	5	2.8 mm	No	Female housing	Black
6 041 02 11	5	2.8 mm	Yes	Female housing	Black
6 041 02 18	5	2.8 mm	Yes	Female housing	Grey
6 041 02 19	5	2.8 mm	Yes	Female housing	Violet
6 312 04 02	5	4 x [2.8 mm] + 1 x [Ø 2.5 mm] terminals		Through flange male connector	Black
6 023 04 00	5	4 x [2.8 mm] + 1 x [Ø 2.5 mm] terminals	No	Under flange female housing	White

Performance characteristics

- Temperature range :
from -40°C to +85°C
- Contact retention force : > 80 N
for female housings
- Contact insertion force : < 20 N
for female housings
- Sealing protection : IP 67
- Acceptable wire range :
from 0.35 to 1.5 mm²

Construction

- Housing material :
 - PBT for female housing
 - POM for through flange male connector
 - POM for under flange female housing
- Flat interface seal : Silicone
- Tab material and plating : CuZn/Sn
for male connector

Tooling

- Front device removal tool : 65900000
- Terminal removal tool : 65900100

Connector compatibility

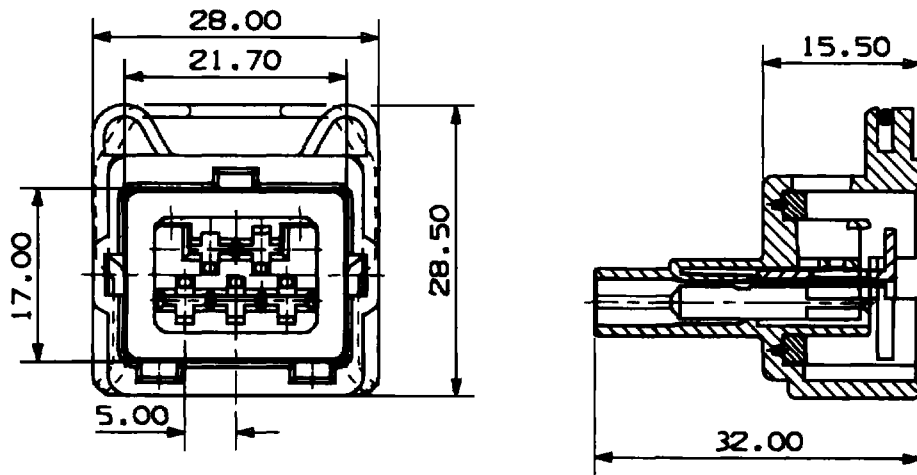
- Usable terminals :
 - DCS-1 2.8 mm female terminals (standard version)
 - DCS-1 2.8 mm female terminals (power version)
 - RCS Ø 2.5 mm female terminals

Fuel tank connectors

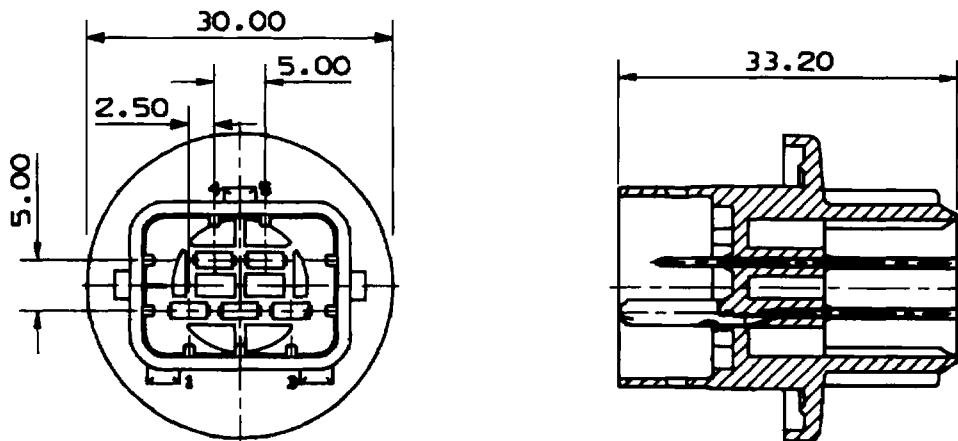
DCS-1/RCS

Dimensional characteristics

Female housing



Through flange male connector



Under flange female housing

