



SRAM

8K x 8 SRAM

AVAILABLE AS MILITARY SPECIFICATIONS

- SMD 5962-38294
- MIL-STD-883

FEATURES

- High speed: 12, 15, 20, 25 and 35ns
- Battery backup: 2V data retention
- High-performance, low-power, CMOS double-metal process
- Single +5V ($\pm 10\%$) power supply
- Easy memory expansion with $\overline{CE1}$ and $\overline{CE2}$
- All inputs and outputs are TTL compatible

OPTIONS

- Timing
 - 12ns access
 - 15ns access
 - 20ns access
 - 25ns access
 - 35ns access
 - 45ns access
 - 55ns access
 - 70ns access

MARKING

- 12
- 15
- 20
- 25
- 35
- 45*
- 55*
- 70*

Packages

Ceramic DIP (300 mil)	C	No. 108
Ceramic LCC	EC	No. 204
Ceramic Flat Pack	F	No. 302

2V data retention

L

*Electrical characteristics identical to those provided for the 35ns access devices.

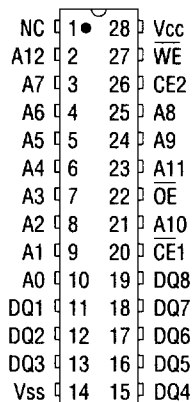
GENERAL DESCRIPTION

The Austin Semiconductor SRAM family employs high-speed, low-power CMOS designs using a four-transistor memory cell. Austin Semiconductor SRAMs are fabricated using double-layer metal, double-layer polysilicon technology.

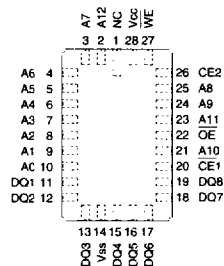
For flexibility in high-speed memory applications, Austin Semiconductor offers dual chip enables ($\overline{CE1}$, $\overline{CE2}$) and output en-able (\overline{OE}) capability. These enhancements can place the outputs in High-Z for additional flexibility in system design.

PIN ASSIGNMENT (Top View)

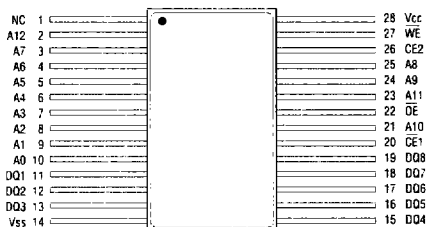
28-Pin DIP (D-15)



28-Pin LCC (C-11)



28-Pin Flat Pack (F-12)

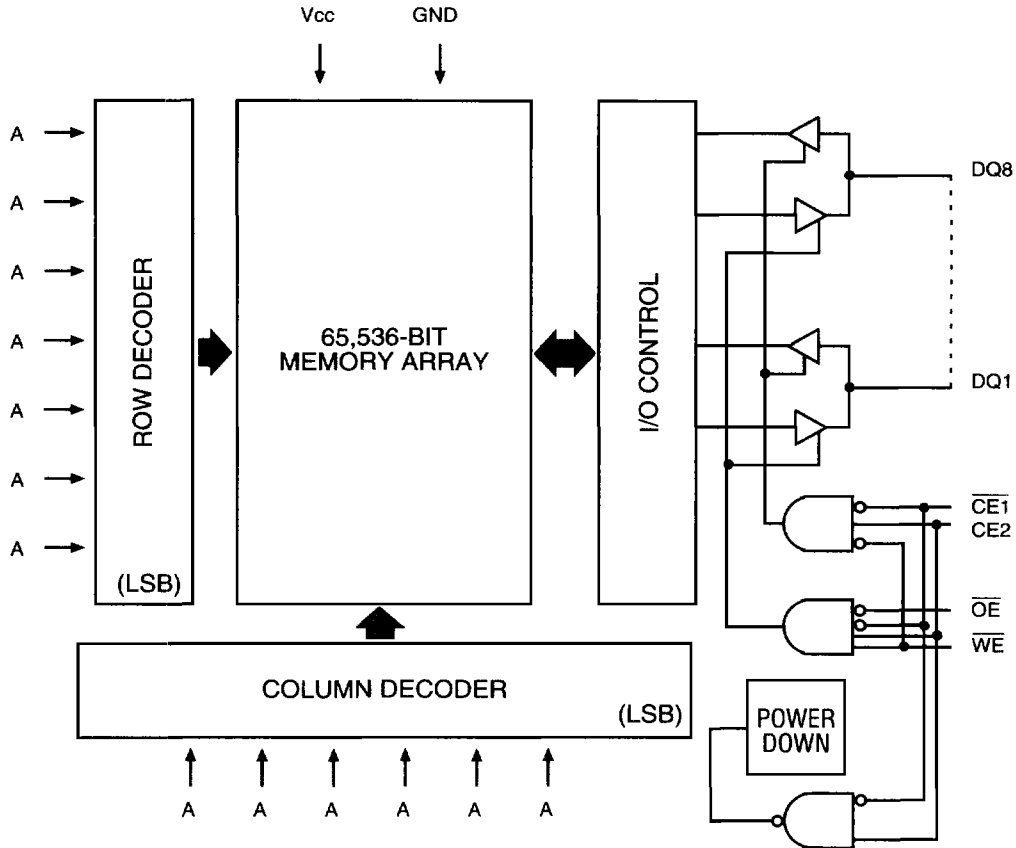


Writing to these devices is accomplished when write enable (\overline{WE}) and $\overline{CE1}$ inputs are both LOW and $\overline{CE2}$ is HIGH. Reading is accomplished when \overline{WE} and $\overline{CE2}$ remain HIGH and $\overline{CE1}$ and \overline{OE} go LOW. The device offers a reduced power standby mode when disabled. This allows system designs to achieve low standby power requirements.

All devices operate from a single +5V power supply and all inputs and outputs are fully TTL compatible.



FUNCTIONAL BLOCK DIAGRAM



TRUTH TABLE

MODE	$\overline{CE1}$	$CE2$	\overline{WE}	\overline{OE}	DQ	POWER
STANDBY	H	X	X	X	HIGH-Z	STANDBY
STANDBY	X	L	X	X	HIGH-Z	STANDBY
READ	L	H	H	L	Q	ACTIVE
READ	L	H	H	H	HIGH-Z	ACTIVE
WRITE	L	H	L	X	D	ACTIVE



ABSOLUTE MAXIMUM RATINGS*

Voltage on Any Input or DQ Relative to V_{SS} ... -2V to +7V
 Voltage on V_{CC} Supply Relative to V_{SS} -1V to +7V
 Storage Temperature -65°C to +150°C
 Power Dissipation 1W
 Short Circuit Output Current 50mA
 Lead Temperature (soldering 10 seconds) +260°C
 Junction Temperature +175°C

*Stresses greater than those listed under "Absolute Maximum Ratings" may cause permanent damage to the device. This is a stress rating only and functional operation of the device at these or any other conditions above those indicated in the operational sections of this specification is not implied. Exposure to absolute maximum rating conditions for extended periods may affect reliability.

ELECTRICAL CHARACTERISTICS AND RECOMMENDED DC OPERATING CONDITIONS

(-55°C ≤ T_C ≤ 125°C; V_{CC} = 5V ± 10%)

DESCRIPTION	CONDITIONS	SYMBOL	MIN	MAX	UNITS	NOTES
Input High (Logic 1) Voltage		V _{IH}	2.2	V _{CC} +1.0	V	1
Input Low (Logic 0) Voltage		V _{IL}	-0.5	0.8	V	1, 2
Input Leakage Current	0V ≤ V _{IN} ≤ V _{CC}	I _{LI}	-10	10	μA	
Output Leakage Current	Outputs Disabled 0V ≤ V _{OUT} ≤ V _{CC}	I _{LO}	-10	10	μA	
Output High Voltage	I _{OH} = -4.0mA	V _{OH}	2.4		V	1
Output Low Voltage	I _{OL} = 8.0mA	V _{OL}		0.4	V	1

DESCRIPTION	CONDITIONS	SYMBOL	MAX					UNITS	NOTES
			-12	-15	-20	-25	-35		
Power Supply Current: Operating	$\overline{CE} \leq V_{IL}, V_{CC} = \text{MAX}$ f = MAX = 1/τRC (MIN) Outputs Open	I _{CC}	145	130	125	110	105	mA	3
Power Supply Current: Standby	$\overline{CE} \geq V_{IH}, V_{CC} = \text{MAX}$ f = $\frac{1}{\tau RC \text{ (MIN)}}$ Hz	I _{SBT1}	45	41	36	33	30	mA	
	$\overline{CE} \geq V_{IH}$, All Other Inputs ≤ V _{IL} or ≥ V _{IH} , V _{CC} = MAX f = 0 Hz	I _{SBT2}	25	25	25	25	25	mA	
	$\overline{CE} \geq (V_{CC} - 0.2)$, V _{CC} = MAX All Other Inputs ≤ 0.2V or ≥ (V _{CC} - 0.2V), f = 0 Hz	I _{SBC2}	5	5	5	5	5	mA	

CAPACITANCE

DESCRIPTION	CONDITIONS	SYMBOL	MIN	MAX	UNITS	NOTES
Input Capacitance	T _A = 25°C, f = 1MHz V _{CC} = 5V	C _I		6	pF	4
Output Capacitance		C _O		7	pF	4



ELECTRICAL CHARACTERISTICS AND RECOMMENDED AC OPERATING CONDITIONS

(Note 5)(-55°C ≤ T_C ≤ 125°C; V_{CC} = 5V ± 10%)

DESCRIPTION	SYM	-12		-15		-20		-25		-35		UNITS	NOTES
		MIN	MAX	MIN	MAX	MIN	MAX	MIN	MAX	MIN	MAX		
READ Cycle													
READ cycle time	t _{RC}	12		15		20		25		35		ns	
Address access time	t _{AA}		12		15		20		25		35	ns	
Chip Enable access time	t _{ACE}		10		13		15		20		25	ns	
Output hold from address change	t _{OH}	2		2		2		2		2		ns	
Chip Enable to output in Low-Z	t _{LZCE}	2		2		2		2		2		ns	7
Chip disable to output in High-Z	t _{HZCE}		7		8		10		12		15	ns	6, 7
Chip Enable to power-up time	t _{PU}	0		0		0		0		0		ns	
Chip disable to power-down time	t _{PD}		12		15		20		25		35	ns	
Output Enable access time	t _{AOE}		6		7		8		10		15	ns	
Output Enable to output in Low-Z	t _{LZOE}	0		0		0		0		0		ns	
Output disable to output in High-Z	t _{HZOE}		6		7		8		10		15	ns	6
WRITE Cycle													
WRITE cycle time	t _{WC}	12		15		20		25		35		ns	
Chip Enable to end of write	t _{CW}	10		12		15		20		25		ns	
Address valid to end of write	t _{AW}	10		12		15		20		25		ns	
Address setup time	t _{AS}	0		0		0		0		0		ns	
Address hold from end of write	t _{AH}	0		0		0		0		0		ns	
WRITE pulse width	t _{WP}	10		12		15		20		25		ns	
Data setup time	t _{DS}	7		8		10		12		15		ns	
Data hold time	t _{DH}	0		0		0		0		0		ns	
Write disable to output in Low-Z	t _{LZWE}	2		2		2		2		2		ns	7
Write Enable to output in High-Z	t _{HZWE}	0	6	0	7	0	8	0	10	0	15	ns	6, 7



AC TEST CONDITIONS

Input pulse levels	V _{SS} to 3V
Input rise and fall times	5ns
Input timing reference level	1.5V
Output reference level	1.5V
Output load	See figures 1 and 2

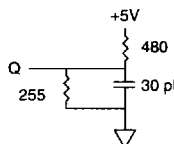


Fig. 1 OUTPUT LOAD EQUIVALENT

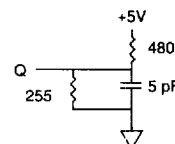


Fig. 2 OUTPUT LOAD EQUIVALENT

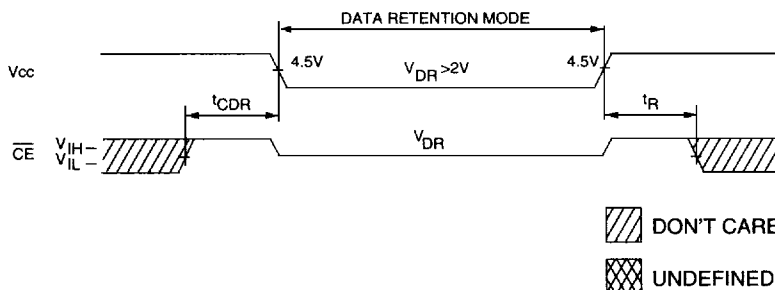
NOTES

- All voltages referenced to V_{SS} (GND).
- 3V for pulse width < 20ns.
- I_{CC} is dependent on output loading and cycle rates. The specified value applies with the outputs unloaded, and $f = \frac{1}{t_{RC} (MIN)}$ Hz.
- This parameter is sampled.
- Test conditions as specified with the output loading as shown in Fig. 1 unless otherwise noted.
- t_{HZCE}, t_{HZOE} and t_{HZWE} are specified with C_L = 5 pF as in Fig. 2. Transition is measured ± 500mV typical from steady state voltage, allowing for actual tester RC time constant.
- At any given temperature and voltage condition, t_{HZCE} is less than t_{LZCE} and t_{HZWE} is less than t_{LZWE}.
- \overline{WE} is HIGH for READ cycle.
- Device is continuously selected. Chip enables and output enable are held in their active state.
- Address valid prior to or coincident with latest occurring chip enable.
- t_{RC} = READ cycle time.
- CE2 timing is the same as $\overline{CE1}$ timing. The waveform is inverted.
- Chip enable ($\overline{CE1}$, CE2) and write enable (\overline{WE}) can initiate and terminate a WRITE cycle.

DATA RETENTION ELECTRICAL CHARACTERISTICS (L Version Only)

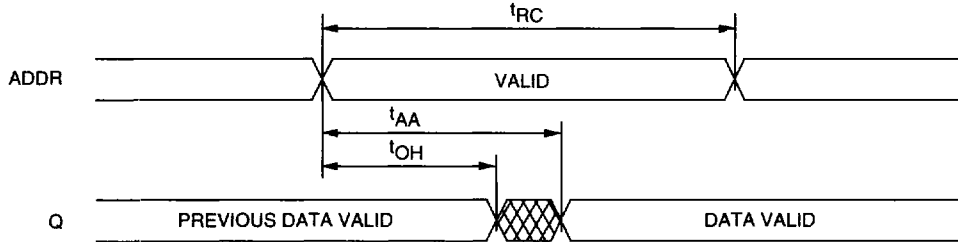
DESCRIPTION	CONDITIONS	SYMBOL	MIN	MAX	UNITS	NOTES
V _{CC} for Retention Data		V _{DR}	2	—	V	
Data Retention Current	$\overline{CE} \geq (V_{CC} - 0.2V)$ $V_{IN} \geq (V_{CC} - 0.2V)$ or $\leq 0.2V$	V _{CC} = 2V		300	μA	
		V _{CC} = 3V		500	μA	
Chip Deselect to Data Retention Time		t _{CDR}	0	—	ns	4
Operation Recovery Time		t _R	t _{RC}		ns	4, 11

LOW V_{CC} DATA RETENTION WAVEFORM

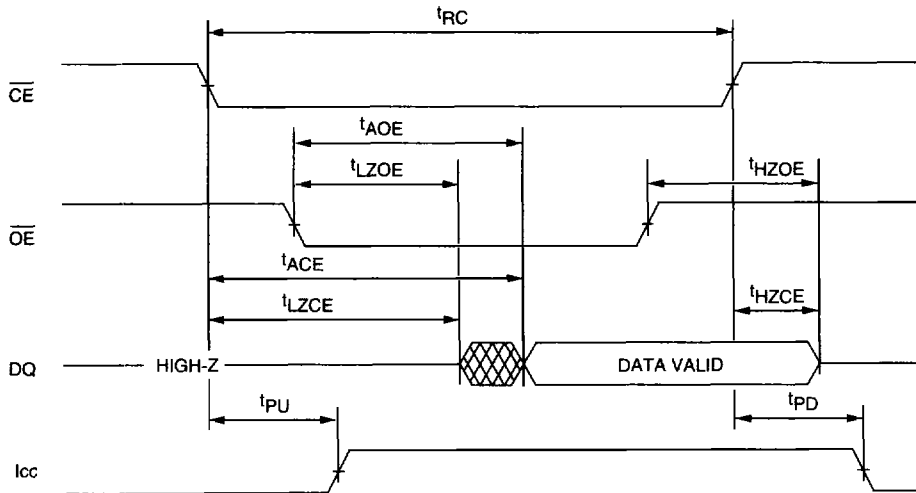




READ CYCLE NO. 1 8,9



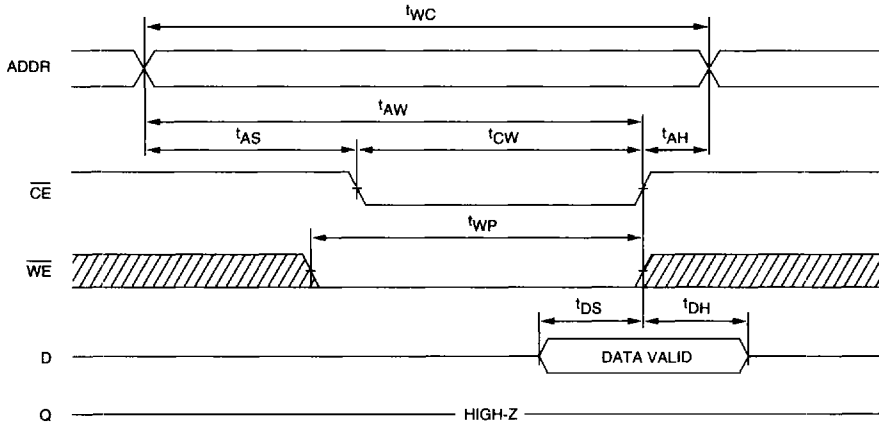
READ CYCLE NO. 2 7, 8, 10, 12



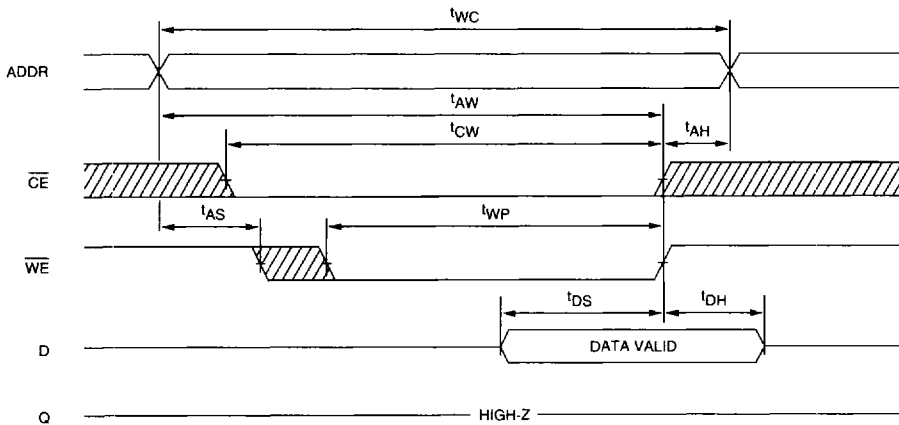
DON'T CARE
 UNDEFINED





WRITE CYCLE NO. 1 ¹²
(Chip Enable Controlled)



WRITE CYCLE NO. 2 ^{7, 12, 13}
(Write Enable Controlled)



 DON'T CARE
 UNDEFINED

NOTE: Output enable (\overline{OE}) is inactive (HIGH).



ELECTRICAL TEST REQUIREMENTS

MIL-STD-883 TEST REQUIREMENTS	SUBGROUPS (per Method 5005, Table I)
INTERIM ELECTRICAL (PRE-BURN-IN) TEST PARAMETERS (Method 5004)	2, 8A, 10
FINAL ELECTRICAL TEST PARAMETERS (Method 5004)	1*, 2, 3, 7*, 8, 9, 10, 11
GROUP A TEST REQUIREMENTS (Method 5005)	1, 2, 3, 4**, 7, 8, 9, 10, 11
GROUP C AND D END-POINT ELECTRICAL PARAMETERS (Method 5005)	1, 2, 3, 7, 8, 9, 10, 11

* PDA applies to subgroups 1 and 7.

** Subgroup 4 shall be measured only for initial qualification and after process or design changes, which may affect input or output capacitance.