

APPENDIX A ELECTRICAL CHARACTERISTICS

Table A-1. Maximum Ratings

Rating	Symbol	Value	Unit
Supply Voltage	V_{DD}	- 0.3 to + 7.0	V
Input Voltage	V_{in}	- 0.3 to + 7.0	V
Operating Temperature Range MC68HC(7)11Ex MC68HC(7)11ExC MC68HC(7)11ExV MC68HC(7)11ExM MC68HC811E2 MC68HC811E2C MC68HC811E2V MC68HC811E2M MC68L11E9	T_A	T_L to T_H 0 to + 70 - 40 to + 85 - 40 to + 105 - 40 to + 125 0 to + 70 - 40 to + 85 - 40 to + 105 - 40 to + 125 - 20 to + 70	°C
Storage Temperature Range	T_{stg}	- 55 to + 150	°C
Current Drain per Pin* Excluding V_{DD} , V_{SS} , AV_{DD} , V_{RH} , and V_{RL}	I_D	25	mA

*One pin at a time, observing maximum power dissipation limits.

Internal circuitry protects the inputs against damage caused by high static voltages or electric fields; however, normal precautions are necessary to avoid application of any voltage higher than maximum-rated voltages to this high-impedance circuit. Extended operation at the maximum ratings can adversely affect device reliability. Tying unused inputs to an appropriate logic voltage level (either GND or V_{DD}) enhances reliability of operation.

Table A-2. Thermal Characteristics

Characteristic	Symbol	Value	Unit
Average Junction Temperature	T_J	$T_A + (P_D \times \theta_{JA})$	°C
Ambient Temperature	T_A	User-determined	°C
Package Thermal Resistance (Junction-to-Ambient) 48-Pin Plastic DIP (MC68HC811E2 only) 56-Pin Plastic SDIP 52-Pin Plastic Leaded Chip Carrier 52-Pin Plastic Thin Quad Flat Pack (TQFP) 64-Pin Quad Flat Pack	θ_{JA}	50 50 50 85 85	°C/W
Total Power Dissipation (Note 1)	P_D	$P_{INT} + P_{I/O}$ $K / (T_J + 273^\circ\text{C})$	W
Device Internal Power Dissipation	P_{INT}	$I_{DD} \times V_{DD}$	W
I/O Pin Power Dissipation (Note 2)	$P_{I/O}$	User-determined	W
A Constant (Note 3)	K	$P_D \times (T_A + 273^\circ\text{C}) +$ $\theta_{JA} \times P_D^2$	W·°C

NOTES:

- This is an approximate value, neglecting $P_{I/O}$.
- For most applications $P_{I/O} \ll P_{INT}$ and can be neglected.
- K is a constant pertaining to the device. Solve for K with a known T_A and a measured P_D (at equilibrium). Use this value of K to solve for P_D and T_J iteratively for any value of T_A .

Table A-3. DC Electrical Characteristics
 $V_{DD} = 5.0 \text{ Vdc} \pm 10\%$, $V_{SS} = 0 \text{ Vdc}$, $T_A = T_L$ to T_H , unless otherwise noted

Characteristics	Symbol	Min	Max	Unit	
Output Voltage (Note 1) All Outputs except XTAL All Outputs Except XTAL, RESET, and MODA $I_{Load} = \pm 10.0 \mu\text{A}$	V_L V_{OH}	— $V_{DD} - 0.1$	0.1 —	V	
Output High Voltage (Note 1) All Outputs Except XTAL, RESET, and MODA $I_{Load} = -0.8 \text{ mA}$, $V_{DD} = 4.5 \text{ V}$	V_{OH}	$V_{DD} - 0.8$	—	V	
Output Low Voltage $I_{Load} = 1.6 \text{ mA}$	V_{OL}	—	0.4	V	
Input High Voltage All Inputs Except $\overline{\text{RESET}}$ $\overline{\text{RESET}}$	V_{IH}	$0.7 \times V_{DD}$ $0.8 \times V_{DD}$	$V_{DD} + 0.3$ $V_{DD} + 0.3$	V	
Input Low Voltage All Inputs	V_{IL}	$V_{SS} - 0.3$	$0.2 \times V_{DD}$	V	
I/O Ports, Three-State Leakage $V_{in} = V_{IH}$ or V_{IL}	I_{OZ}	—	± 10	μA	
Input Leakage Current (Note 2) $V_{in} = V_{DD}$ or V_{SS} $V_{in} = V_{DD}$ or V_{SS}	I_{in}	PA[2:0], $\overline{\text{IRQ}}$, $\overline{\text{XIRQ}}$	—	± 1	μA
		PC[7:0], PD[5:0], AS/STRA, MODA/LIR, $\overline{\text{RESET}}$	—	± 10	μA
RAM Standby Voltage Power down	V_{SB}	4.0	V_{DD}	V	
RAM Standby Current Power down	I_{SB}	—	10	μA	
Input Capacitance PA[2:0], PE[7:0], $\overline{\text{IRQ}}$, $\overline{\text{XIRQ}}$, EXTAL PA7, PA3, PC[7:0], PD[5:0], AS/STRA, MODA/LIR, $\overline{\text{RESET}}$	C_{in}	—	8	pF	
		—	12	pF	
Output Load Capacitance All Outputs Except PD[4:1] PD[4:1]	C_L	—	90	pF	
		—	100	pF	
Maximum Total Supply Current (Note 3) RUN: Single-Chip Mode Expanded Multiplexed Mode WAIT: (All Peripheral Functions Shut Down) Single-Chip Mode Expanded Multiplexed Mode STOP: Single-Chip Mode, No Clocks	I_{DD}	2 MHz	—	15	mA
		3 MHz	—	27	mA
		2 MHz	—	27	mA
		3 MHz	—	35	mA
	W_{DD}	2 MHz	—	6	mA
		3 MHz	—	15	mA
		2 MHz	—	10	mA
	S_{DD}	3 MHz	—	20	mA
		— 40 to + 85	—	25	μA
		> + 85 to + 105 > + 105 to + 125	— —	50 100	
Maximum Power Dissipation Single-Chip Mode Expanded Multiplexed Mode	P_D	2 MHz	—	85	mW
		3 MHz	—	150	mW
		2 MHz	—	150	mW
		3 MHz	—	195	mW

NOTES:

- V_{OH} specification for $\overline{\text{RESET}}$ and MODA is not applicable because they are open-drain pins. V_{OH} specification not applicable to ports C and D in wired-OR mode.
- Refer to A/D specification for leakage current for port E.
- EXTAL is driven with a square wave, and
 $t_{cyc} = 500 \text{ ns}$ for 2 MHz rating;
 $t_{cyc} = 333 \text{ ns}$ for 3 MHz rating; $V_{IL} \leq 0.2 \text{ V}$;
 $V_{IH} \geq V_{DD} - 0.2 \text{ V}$; No dc loads.

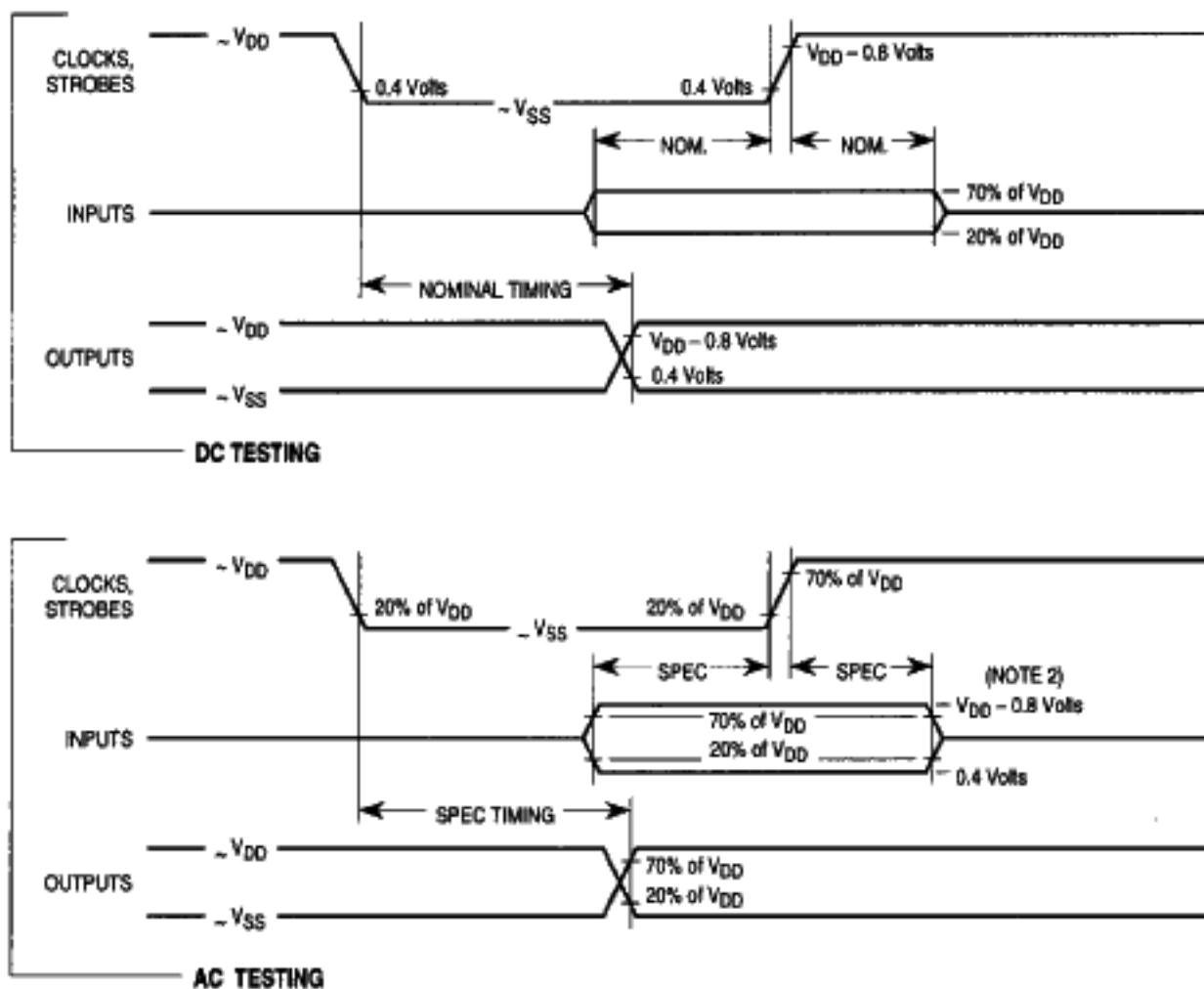
Table A-3a. DC Electrical Characteristics (MC68L11E9)
 $V_{DD} = 3.0 \text{ Vdc to } 5.5 \text{ Vdc}$, $V_{SS} = 0 \text{ Vdc}$, $T_A = T_L \text{ to } T_H$, unless otherwise noted

Characteristic	Symbol	Min	Max	Unit
Output Voltage (Note 1) All Outputs except XTAL All Outputs Except XTAL, RESET, and MODA $I_{Load} = \pm 10.0 \mu\text{A}$	V_{OL} V_{OH}	— $V_{DD} - 0.1$	0.1 —	V V
Output High Voltage (Note 1) All Outputs Except XTAL, RESET, and MODA $I_{Load} = -0.5 \text{ mA}$, $V_{DD} = 3.0 \text{ V}$ $I_{Load} = -0.8 \text{ mA}$, $V_{DD} = 4.5 \text{ V}$	V_{OH}	$V_{DD} - 0.8$	—	V
Output Low Voltage All Outputs Except XTAL $I_{Load} = 1.6 \text{ mA}$, $V_{DD} = 5.0 \text{ V}$ $I_{Load} = 1.0 \text{ mA}$, $V_{DD} = 3.0 \text{ V}$	V_{OL}	—	0.4	V
Input High Voltage All Inputs Except RESET RESET	V_{IH}	$0.7 \times V_{DD}$ $0.8 \times V_{DD}$	$V_{DD} + 0.3$ $V_{DD} + 0.3$	V V
Input Low Voltage All Inputs	V_{IL}	$V_{SS} - 0.3$	$0.2 \times V_{DD}$	V
I/O Ports, Three-State Leakage PA7, PA3, PC[7:0], PD[5:0], AS/STRA, MODA/LIR, RESET $V_{in} = V_{IH} \text{ or } V_{IL}$	I_{OZ}	—	± 10	μA
Input Leakage Current (Note 2) $V_{in} = V_{DD} \text{ or } V_{SS}$ $V_{in} = V_{DD} \text{ or } V_{SS}$	I_{in}	— —	± 1 ± 10	μA μA
RAM Standby Voltage Power down	V_{SB}	2.0	V_{DD}	V
RAM Standby Current Power down	I_{SB}	—	10	μA
Input Capacitance PA[2:0], PE[7:0], IRQ, XIRQ, EXTAL PA7, PA3, PC[7:0], PD[5:0], AS/STRA, MODA/LIR, RESET	C_{in}	— —	8 12	pF pF
Output Load Capacitance All Outputs Except PD[4:1] PD[4:1]	C_L	— —	90 100	pF pF

Characteristic	Symbol	1 MHz	2 MHz	Unit
Maximum Total Supply Current (Note 3) RUN:	I_{DD}	8 4 14 7	15 8 27 14	mA mA mA mA
Single-Chip Mode $V_{DD} = 5.5 \text{ V}$ $V_{DD} = 3.0 \text{ V}$				
Expanded Multiplexed Mode $V_{DD} = 5.5 \text{ V}$ $V_{DD} = 3.0 \text{ V}$				
WAIT: (All Peripheral Functions Shut Down)				
Single-Chip Mode $V_{DD} = 5.5 \text{ V}$ $V_{DD} = 3.0 \text{ V}$	W_{IDD}	3 1.5 5 2.5	6 3 10 5	mA mA mA mA
Expanded Multiplexed Mode $V_{DD} = 5.5 \text{ V}$ $V_{DD} = 3.0 \text{ V}$				
STOP:				
Single-Chip Mode, No Clocks $V_{DD} = 5.5 \text{ V}$ $V_{DD} = 3.0 \text{ V}$				
Maximum Power Dissipation Single-Chip Mode $V_{DD} = 5.5 \text{ V}$ $V_{DD} = 3.0 \text{ V}$	P_D	44 12 77 21	85 24 150 42	mW mW mW mW
Expanded Multiplexed Mode $V_{DD} = 5.5 \text{ V}$ $V_{DD} = 3.0 \text{ V}$				

NOTES:

- V_{OH} specification for RESET and MODA is not applicable because they are open-drain pins. V_{OH} specification not applicable to ports C and D in wired-OR mode.
- Refer to A/D specification for leakage current for port E.
- EXTAL is driven with a square wave, and
 $t_{cyc} = 1000 \text{ ns}$ for 1 MHz rating;
 $t_{cyc} = 500 \text{ ns}$ for 2 MHz rating; $V_{IL} \leq 0.2 \text{ V}$;
 $V_{IH} \geq V_{DD} - 0.2 \text{ V}$; No dc loads.



NOTES:

1. Full test loads are applied during all DC electrical tests and AC timing measurements.
2. During AC timing measurements, inputs are driven to 0.4 volts and $V_{DD} - 0.8$ volts while timing measurements are taken at the 20% and 70% of V_{DD} points.

TEST MET-C03 2

Figure A-1. Test Methods

Table A-4. Control Timing

$V_{DD} = 5.0 \text{ Vdc} \pm 10\%$, $V_{SS} = 0 \text{ Vdc}$, $T_A = T_L \text{ to } T_H$

Characteristic	Symbol	1.0 MHz		2.0 MHz		3.0 MHz		Unit
		Min	Max	Min	Max	Min	Max	
Frequency of Operation	f_o	dc	1.0	dc	2.0	dc	3.0	MHz
E-Clock Period	t_{cyc}	1000	—	500	—	333	—	ns
Crystal Frequency	f_{XTAL}	—	4.0	—	8.0	—	12.0	MHz
External Oscillator Frequency	$4 f_o$	dc	4.0	dc	8.0	dc	12.0	MHz
Processor Control Setup Time $t_{PCSU} = 1/4 t_{cyc} + 50 \text{ ns}$	t_{PCSU}	300	—	175	—	133	—	ns
Reset Input Pulse Width To Guarantee External Reset Vector Minimum Input Time (Can Be Preempted by Internal Reset)	$PWRSTL$	8 1	— —	8 1	— —	8 1	— —	t_{cyc}
Mode Programming Setup Time	t_{MPS}	2	—	2	—	2	—	t_{cyc}
Mode Programming Hold Time	t_{MPH}	10	—	10	—	10	—	ns
Interrupt Pulse Width, \overline{IRQ} Edge-Sensitive Mode $PW_{IRQ} = t_{cyc} + 20 \text{ ns}$	PW_{IRQ}	1020	—	520	—	353	—	ns
Wait Recovery Startup Time	t_{WRS}	—	4	—	4	—	4	t_{cyc}
Timer Pulse Width Input Capture Pulse Accumulator Input $PW_{TIM} = t_{cyc} + 20 \text{ ns}$	PW_{TIM}	1020	—	520	—	353	—	ns

NOTES:

1. RESET is recognized during the first clock cycle it is held low. Internal circuitry then drives the pin low for four clock cycles, releases the pin, and samples the pin level two cycles later to determine the source of the interrupt. Refer to **SECTION 5 RESETS AND INTERRUPTS** for further detail.
2. All timing is shown with respect to 20% V_{DD} and 70% V_{DD} , unless otherwise noted.

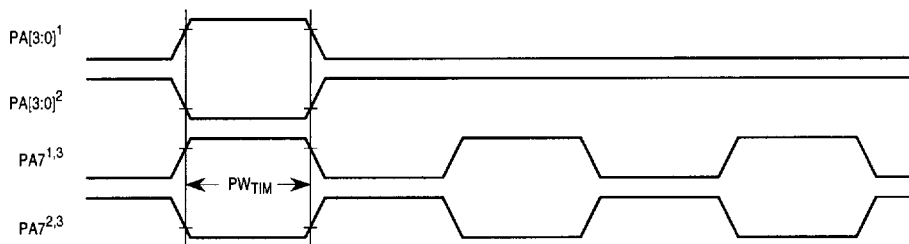
Table A-4a. Control Timing (MC68L11E9)

$V_{DD} = 3.0 \text{ Vdc}$ to 5.5 Vdc , $V_{SS} = 0 \text{ Vdc}$, $T_A = T_L$ to T_H

Characteristic	Symbol	1.0 MHz		2.0 MHz		Unit
		Min	Max	Min	Max	
Frequency of Operation	f_o	dc	1.0	dc	2.0	MHz
E-Clock Period	t_{cyc}	1000	—	500	—	ns
Crystal Frequency	f_{XTAL}	—	4.0	—	8.0	MHz
External Oscillator Frequency	$4 f_o$	dc	4.0	dc	8.0	MHz
Processor Control Setup Time $t_{PCSU} = 1/4 t_{cyc} + 75 \text{ ns}$	t_{PCSU}	325	—	200	—	ns
Reset Input Pulse Width To Guarantee External Reset Vector Minimum Input Time (Can Be Preempted by Internal Reset)	PW_{RSTL}	8 1	— —	8 1	— —	t_{cyc} t_{cyc}
Mode Programming Setup Time	t_{MPS}	2	—	2	—	t_{cyc}
Mode Programming Hold Time	t_{MPH}	10	—	10	—	ns
Interrupt Pulse Width, \overline{IRQ} Edge-Sensitive Mode $PW_{IRQ} = t_{cyc} + 20 \text{ ns}$	PW_{IRQ}	1020	—	520	—	ns
Wait Recovery Startup Time	t_{WRS}	—	4	—	4	t_{cyc}
Timer Pulse Width, Input Capture Pulse Accumulator Input $PW_{TIM} = t_{cyc} + 20 \text{ ns}$	PW_{TIM}	1020	—	520	—	ns

NOTES:

1. RESET is recognized during the first clock cycle it is held low. Internal circuitry then drives the pin low for four clock cycles, releases the pin, and samples the pin level two cycles later to determine the source of the interrupt. Refer to **SECTION 5 RESETS AND INTERRUPTS** for further detail.
2. All timing is shown with respect to 20% V_{DD} and 70% V_{DD} , unless otherwise noted.



NOTES:

1. Rising edge sensitive input
2. Falling edge sensitive input
3. Maximum pulse accumulator clocking rate is E-clock frequency divided by 2.

TIMER INPUTS TIM

Figure A-2. Timer Inputs

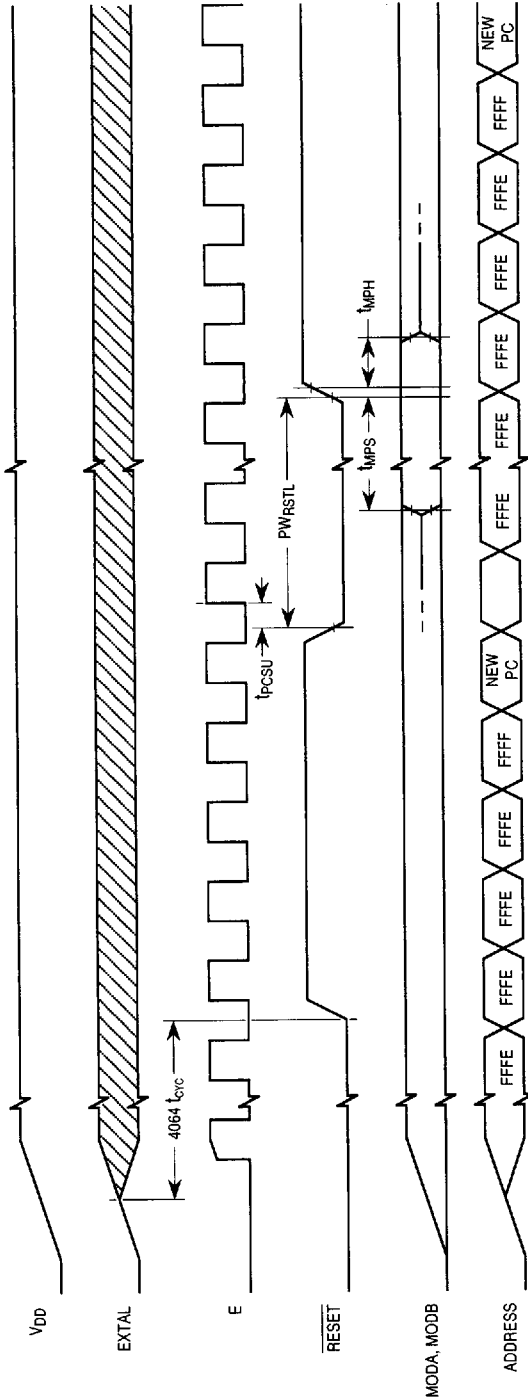
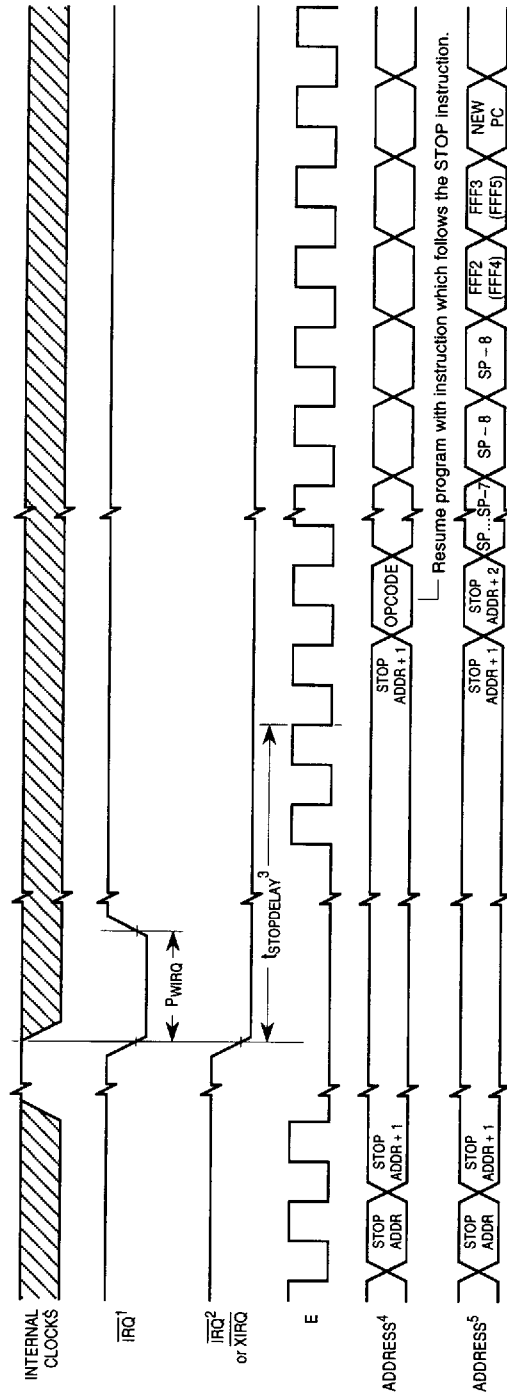


Figure A-3. POR External Reset Timing Diagram

POR EXT RESET TIM

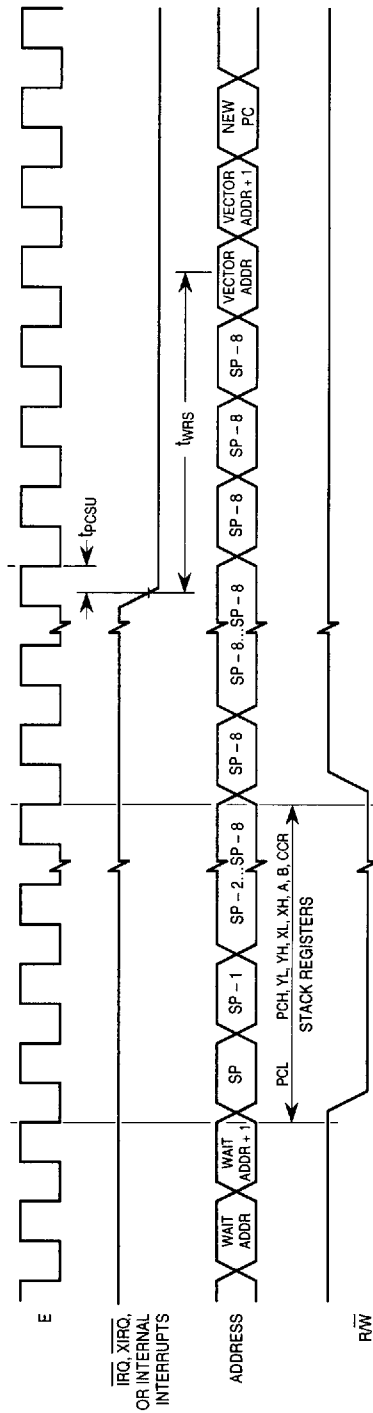


NOTES:

1. Edge Sensitive $\overline{\text{IRQ}}$ pin (IRQE bit = 1)
2. Level sensitive $\overline{\text{IRQ}}$ pin (IRQE bit = 0)
3. t_{STOPDELAY} = 4064 t_{CYC} if DLY bit = 1 or 4 t_{CYC} if DLY = 0.
4. XIRQ with X bit in CCR = 1.
5. $\overline{\text{IRQ}}$ or (XIRQ with X bit in CCR = 0).

STOP RECOVERY TIM

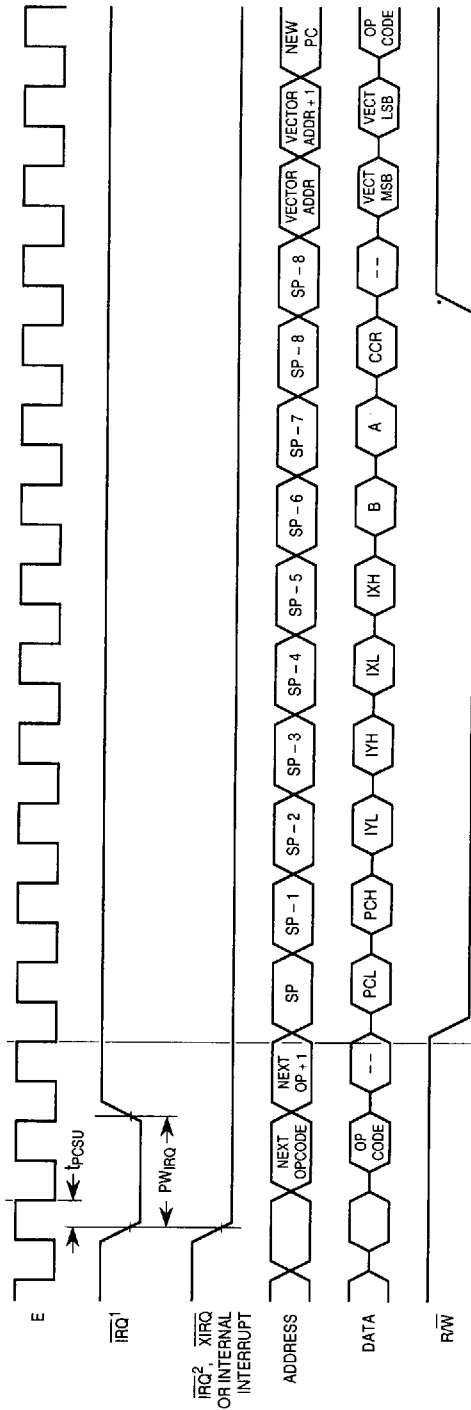
Figure A-4. STOP Recovery Timing Diagram



NOTE: RESET also causes recovery from WAIT.

WAIT RECOVERY TIM

Figure A-5. WAIT Recovery from Interrupt Timing Diagram



NOTES:

1. Edge sensitive $\overline{\text{IRQ}}$ pin (IRQE bit = 1)
2. Level sensitive $\overline{\text{IRQ}}$ pin (IRQE bit = 0)

INTERRUPT TIM

Figure A-6. Interrupt Timing Diagram

Table A-5. Peripheral Port Timing

$V_{DD} = 5.0 \text{ Vdc} \pm 10\%$, $V_{SS} = 0 \text{ Vdc}$, $T_A = T_L \text{ to } T_H$

Characteristic	Symbol	1.0 MHz		2.0 MHz		3.0 MHz		Unit
		Min	Max	Min	Max	Min	Max	
Frequency of Operation (E-Clock Frequency)	f_o	dc	1.0	dc	2.0	dc	3.0	MHz
E-Clock Period	t_{cyc}	1000	—	500	—	333	—	ns
Peripheral Data Setup Time MCU Read of Ports A, C, D, and E	t_{PDSU}	100	—	100	—	100	—	ns
Peripheral Data Hold Time MCU Read of Ports A, C, D, and E	t_{PDH}	50	—	50	—	50	—	ns
Delay Time, Peripheral Data Write MCU Write to Port A MCU Writes to Ports B, C, and D $t_{PWD} = 1/4 t_{cyc} + 100 \text{ ns}$	t_{PWD}	— —	200 350	— —	200 225	— —	200 183	ns ns
Input Data Setup Time (Port C)	t_{IS}	60	—	60	—	60	—	ns
Input Data Hold Time (Port C)	t_{IH}	100	—	100	—	100	—	ns
Delay Time, E Fall to STRB $t_{DEB} = 1/4 t_{cyc} + 100 \text{ ns}$	t_{DEB}	—	350	—	225	—	183	ns
Setup Time, STRA Asserted to E Fall (Note 1)	t_{AES}	0	—	0	—	0	—	ns
Delay Time, STRA Asserted to Port C Data Output Valid	t_{PCD}	—	100	—	100	—	100	ns
Hold Time, STRA Negated to Port C Data	t_{PCH}	10	—	10	—	10	—	ns
Three-State Hold Time	t_{PCZ}	—	150	—	150	—	150	ns

NOTES:

1. If this setup time is met, STRB acknowledges in the next cycle. If it is not met, the response may be delayed one more cycle.
2. Port C and D timing is valid for active drive (CWOM and DWOM bits not set in PIOC and SPCR registers respectively).
3. All timing is shown with respect to 20% V_{DD} and 70% V_{DD} , unless otherwise noted.

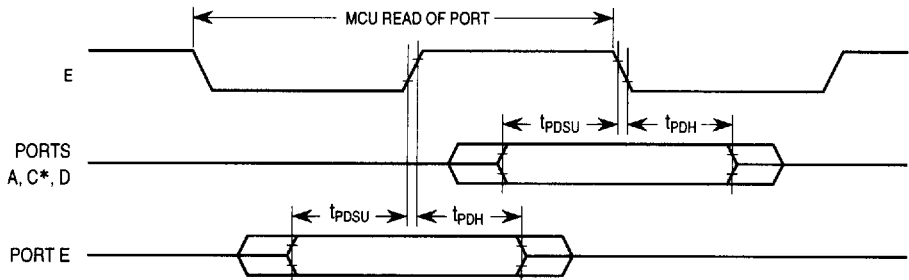
Table A-5a. Peripheral Port Timing (MC68L11E9)

$V_{DD} = 3.0 \text{ Vdc to } 5.5 \text{ Vdc}$, $V_{SS} = 0 \text{ Vdc}$, $T_A = T_L \text{ to } T_H$

Characteristic	Symbol	1.0 MHz		2.0 MHz		Unit
		Min	Max	Min	Max	
Frequency of Operation (E-Clock Frequency)	f_o	dc	1.0	dc	2.0	MHz
E-Clock Period	t_{cyc}	1000	—	500	—	ns
Peripheral Data Setup Time MCU Read of Ports A, C, D, and E	t_{PDSU}	100	—	100	—	ns
Peripheral Data Hold Time MCU Read of Ports A, C, D, and E	t_{PDH}	50	—	50	—	ns
Delay Time, Peripheral Data Write MCU Write to Port A MCU Writes to Ports B, C, and D $t_{PWD} = 1/4 t_{cyc} + 150 \text{ ns}$	t_{PWD}	—	250	—	250	ns
		—	400	—	275	ns
Input Data Setup Time (Port C)	t_{IS}	60	—	60	—	ns
Input Data Hold Time (Port C)	t_{IH}	100	—	100	—	ns
Delay Time, E Fall to STRB $t_{DEB} = 1/4 t_{cyc} + 150 \text{ ns}$	t_{DEB}	—	400	—	275	ns
Setup Time, STRA Asserted to E Fall (Note 1)	t_{AES}	0	—	0	—	ns
Delay Time, STRA Asserted to Port C Data Output Valid	t_{PCD}	—	100	—	100	ns
Hold Time, STRA Negated to Port C Data	t_{PCH}	10	—	10	—	ns
Three-State Hold Time	t_{PCZ}	—	150	—	150	ns

NOTES:

1. If this setup time is met, STRB acknowledges in the next cycle. If it is not met, the response may be delayed one more cycle.
2. Port C and D timing is valid for active drive (CWOM and DWOM bits not set in PIOC and SPCR registers respectively).
3. All timing is shown with respect to 20% V_{DD} and 70% V_{DD} , unless otherwise noted.



* FOR NON-LATCHED OPERATION OF PORT C

E8 PORT READ TIM

Figure A-7. Port Read Timing Diagram

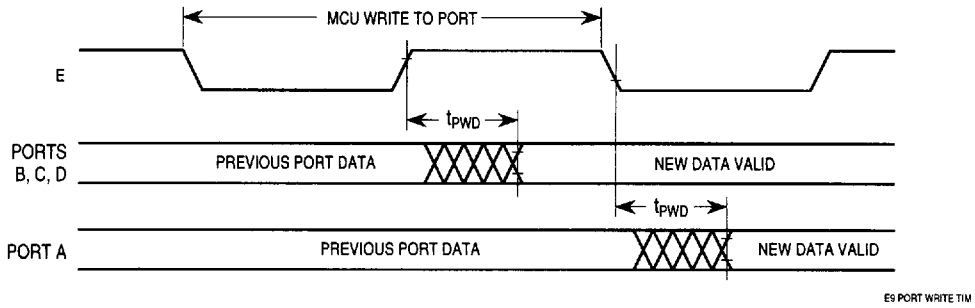


Figure A-8. Port Write Timing Diagram

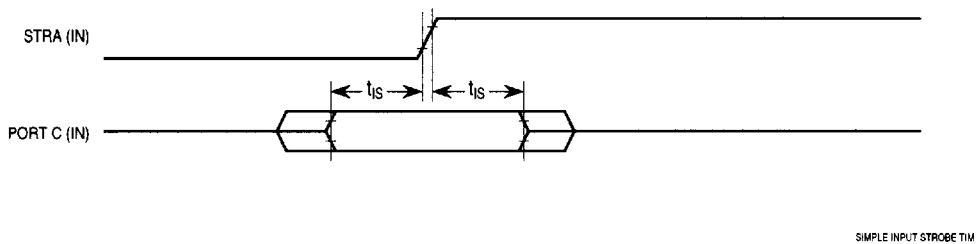


Figure A-9. Simple Input Strobe Timing Diagram

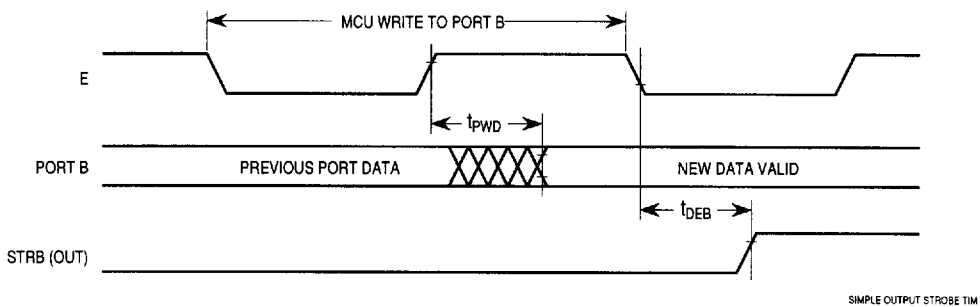
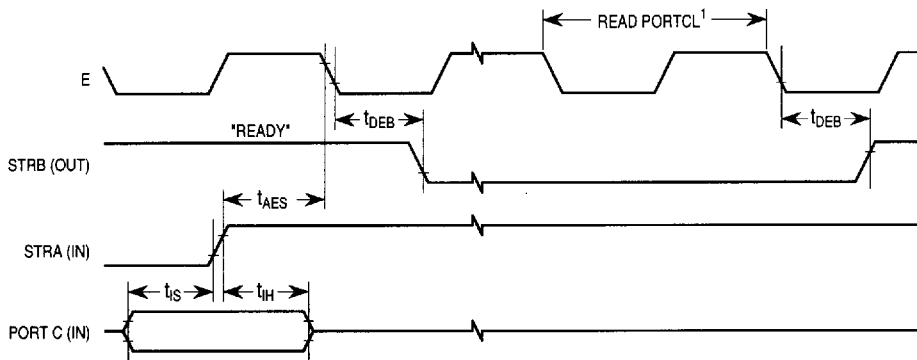


Figure A-10. Simple Output Strobe Timing Diagram

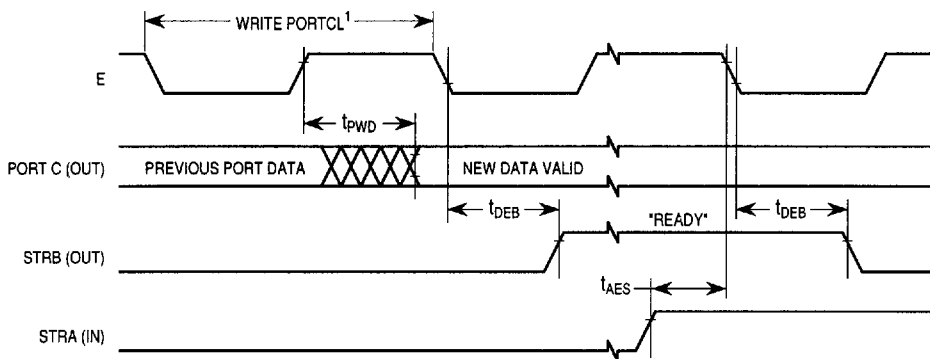


NOTES:

1. After reading PIOC with STAF set
2. Figure shows rising edge STRA (EGA = 1) and high true STRB (INVB = 1).

PORT C INPUT HANDSHK TIM

Figure A-11. Port C Input Handshake Timing Diagram

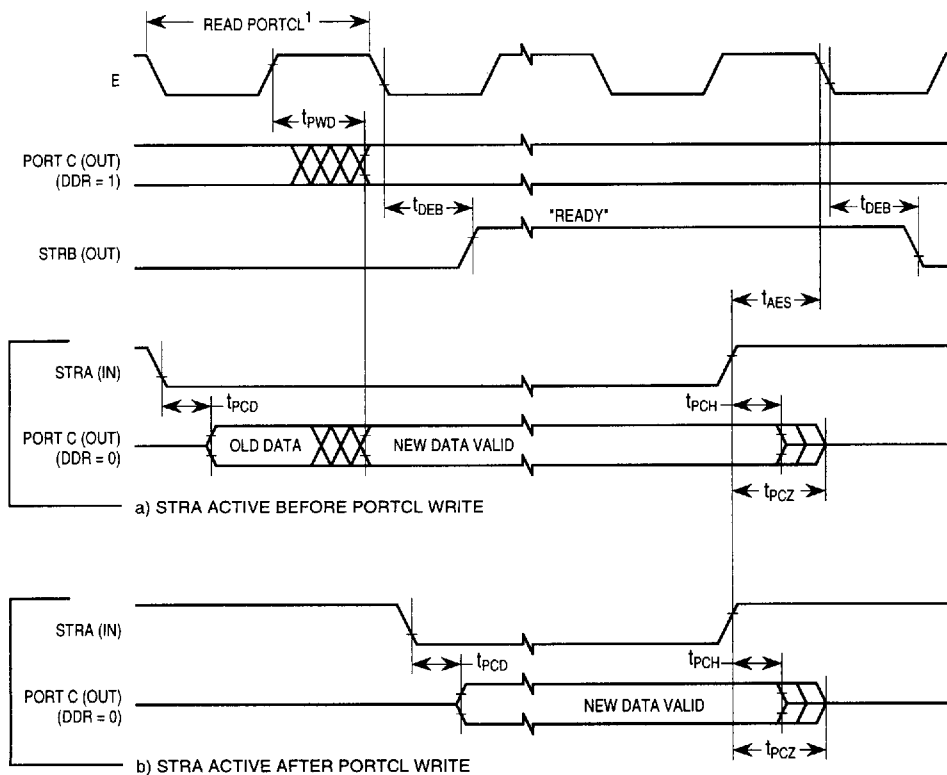


NOTES:

1. After reading PIOC with STAF set
2. Figure shows rising edge STRA (EGA = 1) and high true STRB (INVB = 1).

PORT C OUTPUT HANDSHK TIM

Figure A-12. Port C Output Handshake Timing Diagram



NOTES:

1. After reading PIOC with STAF set
2. Figure shows rising edge STRA (EGA = 1) and high true STRB (INVB = 1).

3-STATE VAR OUTPUT HANDSHK TIM

Figure A-13. Three-State Variation of Output Handshake Timing Diagram (STRA Enables Output Buffer)

Table A-6. Analog-To-Digital Converter Characteristics

$V_{DD} = 5.0 \text{ Vdc} \pm 10\%$, $V_{SS} = 0 \text{ Vdc}$, $T_A = T_L \text{ to } T_H$, $750 \text{ kHz} \leq E \leq 3.0 \text{ MHz}$, unless otherwise noted

Characteristic	Parameter	Min	Absolute	2.0 MHz	3.0 MHz	Unit
				Max	Max	
Resolution	Number of Bits Resolved by A/D Converter	—	8	—	—	Bits
Non-Linearity	Maximum Deviation from the Ideal A/D Transfer Characteristics	—	—	$\pm 1/2$	± 1	LSB
Zero Error	Difference Between the Output of an Ideal and an Actual for Zero Input Voltage	—	—	$\pm 1/2$	± 1	LSB
Full Scale Error	Difference Between the Output of an Ideal and an Actual A/D for Full-Scale Input Voltage	—	—	$\pm 1/2$	± 1	LSB
Total Unadjusted Error	Maximum Sum of Non-Linearity, Zero Error, and Full-Scale Error	—	—	$\pm 1/2$	$\pm 1 1/2$	LSB
Quantization Error	Uncertainty Because of Converter Resolution	—	—	$\pm 1/2$	$\pm 1/2$	LSB
Absolute Accuracy	Difference Between the Actual Input Voltage and the Full-Scale Weighted Equivalent of the Binary Output Code, All Error Sources Included	—	—	± 1	± 2	LSB
Conversion Range	Analog Input Voltage Range	V_{RL}	—	V_{RH}	V_{RH}	V
V_{RH}	Maximum Analog Reference Voltage (Note 2)	V_{RL}	—	$V_{DD} + 0.1$	$V_{DD} + 0.1$	V
V_{RL}	Minimum Analog Reference Voltage (Note 2)	$V_{SS} - 0.1$	—	V_{RH}	V_{RH}	V
ΔV_R	Minimum Difference between V_{RH} and V_{RL} (Note 2)	3	—	—	—	V
Conversion Time	Total Time to Perform a Single Analog-to-Digital Conversion:					
		E Clock	—	32	—	—
	Internal RC Oscillator	—	—	$t_{cyc} + 32$	$t_{cyc} + 32$	μs
Monotonicity	Conversion Result Never Decreases with an Increase in Input Voltage and has no Missing Codes	—	Guaranteed	—	—	—
Zero Input Reading	Conversion Result when $V_{in} = V_{RL}$	00	—	—	—	Hex
Full Scale Reading	Conversion Result when $V_{in} = V_{RH}$	—	—	FF	FF	Hex
Sample Acquisition Time	Analog Input Acquisition Sampling Time:					
		E Clock	—	12	—	—
	Internal RC Oscillator	—	—	12	12	μs
Sample/Hold Capacitance	Input Capacitance During Sample PE[7:0]	—	20 (Typ)	—	—	pF
Input Leakage	Input Leakage on A/D Pins PE[7:0]	—	—	400	400	nA
		V_{RL}, V_{RH}	—	—	1.0	1.0

NOTES:

1. Source impedances greater than 10 k Ω affect accuracy adversely because of input leakage.
2. Performance verified down to 2.5 V ΔV_R , but accuracy is tested and guaranteed at $\Delta V_R = 5 \text{ V} \pm 10\%$.

Table A-6a. Analog-To-Digital Converter Characteristics (MC68L11E9)

$V_{DD} = 3.0 \text{ Vdc to } 5.5 \text{ Vdc}$, $V_{SS} = 0 \text{ Vdc}$, $T_A = T_L \text{ to } T_H$, $750 \text{ kHz} \leq E \leq 2.0 \text{ MHz}$, unless otherwise noted

Characteristic	Parameter	Min	Absolute	Max	Unit	
Resolution	Number of Bits Resolved by A/D Converter	—	8	—	Bits	
Non-Linearity	Maximum Deviation from the Ideal A/D Transfer Characteristics	—	—	± 1	LSB	
Zero Error	Difference Between the Output of an Ideal and an Actual for Zero Input Voltage	—	—	± 1	LSB	
Full Scale Error	Difference Between the Output of an Ideal and an Actual A/D for Full-Scale Input Voltage	—	—	± 1	LSB	
Total Unadjusted Error	Maximum Sum of Non-Linearity, Zero Error, and Full-Scale Error	—	—	$\pm 1 \frac{1}{2}$	LSB	
Quantization Error	Uncertainty Because of Converter Resolution	—	—	$\pm \frac{1}{2}$	LSB	
Absolute Accuracy	Difference Between the Actual Input Voltage and the Full-Scale Weighted Equivalent of the Binary Output Code, All Error Sources Included	—	—	± 2	LSB	
Conversion Range	Analog Input Voltage Range	V_{RL}	—	V_{RH}	V	
V_{RH}	Maximum Analog Reference Voltage	V_{RL}	—	$V_{DD} + 0.1$	V	
V_{RL}	Minimum Analog Reference Voltage	$V_{SS} - 0.1$	—	V_{RH}	V	
ΔV_R	Minimum Difference between V_{RH} and V_{RL}	3.0	—	—	V	
Conversion Time	Total Time to Perform a Single Analog-to-Digital Conversion:					
		E Clock	—	32	—	t_{cyc}
		Internal RC Oscillator	—	—	$t_{cyc} + 32$	μs
Monotonicity	Conversion Result Never Decreases with an Increase in Input Voltage and has no Missing Codes	—	Guaranteed	—	—	
Zero Input Reading	Conversion Result when $V_{in} = V_{RL}$	00	—	—	Hex	
Full Scale Reading	Conversion Result when $V_{in} = V_{RH}$	—	—	FF	Hex	
Sample Acquisition Time	Analog Input Acquisition Sampling Time:					
		E Clock	—	12	—	t_{cyc}
		Internal RC Oscillator	—	—	12	μs
Sample/Hold Capacitance	Input Capacitance During Sample PE[7:0]	—	20 (Typ)	—	pF	
Input Leakage	Input Leakage on A/D Pins $PE[7:0]$ V_{RL}, V_{RH}	—	—	400	nA	
		—	—	1.0	μA	

NOTES:

1. Source impedances greater than 10 k Ω affect accuracy adversely because of input leakage.

Table A-7. Expansion Bus Timing

$V_{DD} = 5.0 \text{ Vdc} \pm 10\%$, $V_{SS} = 0 \text{ Vdc}$, $T_A = T_L \text{ to } T_H$

Num	Characteristic	Symbol	1.0 MHz		2.0 MHz		3.0 MHz		Unit
			Min	Max	Min	Max	Min	Max	
	Frequency of Operation (E-Clock Frequency)	f_o	dc	1.0	dc	2.0	dc	3.0	MHz
1	Cycle Time	t_{cyc}	1000	—	500	—	333	—	ns
2	Pulse Width, E Low $PW_{EL} = 1/2 t_{cyc} - 23 \text{ ns}$ (Note 1)	PW_{EL}	477	—	227	—	146	—	ns
3	Pulse Width, E High $PW_{EH} = 1/2 t_{cyc} - 28 \text{ ns}$ (Note 1)	PW_{EH}	472	—	222	—	141	—	ns
4a	E and AS Rise Time	t_r	—	20	—	20	—	20	ns
4b	E and AS Fall Time	t_f	—	20	—	20	—	15	ns
9	Address Hold Time $t_{AH} = 1/8 t_{cyc} - 29.5 \text{ ns}$ (Note 1, 2a)	t_{AH}	95.5	—	33	—	26	—	ns
12	Nonmultiplexed Address Valid Time to E Rise $t_{AV} = PW_{EL} - (t_{ASD} + 80 \text{ ns})$ (Note 1, 2a)	t_{AV}	281.5	—	94	—	54	—	ns
17	Read Data Setup Time	t_{DSR}	30	—	30	—	30	—	ns
18	Read Data Hold Time (Max = t_{MAD})	t_{DHR}	0	145.5	0	83	0	51	ns
19	Write Data Delay Time $t_{DDW} = 1/8 t_{cyc} + 65.5 \text{ ns}$ (Note 1, 2a)	t_{DDW}	—	190.5	—	128	—	71	ns
21	Write Data Hold Time $t_{DHW} = 1/8 t_{cyc} - 29.5 \text{ ns}$ (Note 1, 2a)	t_{DHW}	95.5	—	33	—	26	—	ns
22	Multiplexed Address Valid Time to E Rise $t_{AVM} = PW_{EL} - (t_{ASD} + 90 \text{ ns})$ (Note 1, 2a)	t_{AVM}	271.5	—	84	—	54	—	ns
24	Multiplexed Address Valid Time to AS Fall $t_{ASL} = PW_{ASH} - 70 \text{ ns}$ (Note 1)	t_{ASL}	151	—	26	—	13	—	ns
25	Multiplexed Address Hold Time $t_{AHL} = 1/8 t_{cyc} - 29.5 \text{ ns}$ (Note 1, 2b)	t_{AHL}	95.5	—	33	—	31	—	ns
26	Delay Time, E to AS Rise $t_{ASD} = 1/8 t_{cyc} - 9.5 \text{ ns}$ (Note 1, 2a)	t_{ASD}	115.5	—	53	—	31	—	ns
27	Pulse Width, AS High $PW_{ASH} = 1/4 t_{cyc} - 29 \text{ ns}$ (Note 1)	PW_{ASH}	221	—	96	—	63	—	ns
28	Delay Time, AS to E Rise $t_{ASED} = 1/8 t_{cyc} - 9.5 \text{ ns}$ (Note 1, 2b)	t_{ASED}	115.5	—	53	—	31	—	ns
29	MPU Address Access Time (Note 2a) $t_{ACCA} = t_{cyc} - (PW_{EL} - t_{AVM}) - t_{DSR} - t_f$	t_{ACCA}	744.5	—	307	—	196	—	ns
35	MPU Access Time $t_{ACCE} = PW_{EH} - t_{DSR}$	t_{ACCE}	—	442	—	192	—	111	ns
36	Multiplexed Address Delay (Previous Cycle MPU Read) $t_{MAD} = t_{ASD} + 30 \text{ ns}$ (Note 1, 2a)	t_{MAD}	145.5	—	83	—	51	—	ns

NOTES:

1. Formula only for dc to 2 MHz.
2. Input clocks with duty cycles other than 50% affect bus performance. Timing parameters affected by input clock duty cycle are identified by (a) and (b). To recalculate the approximate bus timing values, substitute the following expressions in place of $1/8 t_{cyc}$ in the above formulas, where applicable:

- (a) $(1-DC) \times 1/4 t_{cyc}$
- (b) $DC \times 1/4 t_{cyc}$

Where:

DC is the decimal value of duty cycle percentage (high time).

3. All timing is shown with respect to 20% V_{DD} and 70% V_{DD} , unless otherwise noted.

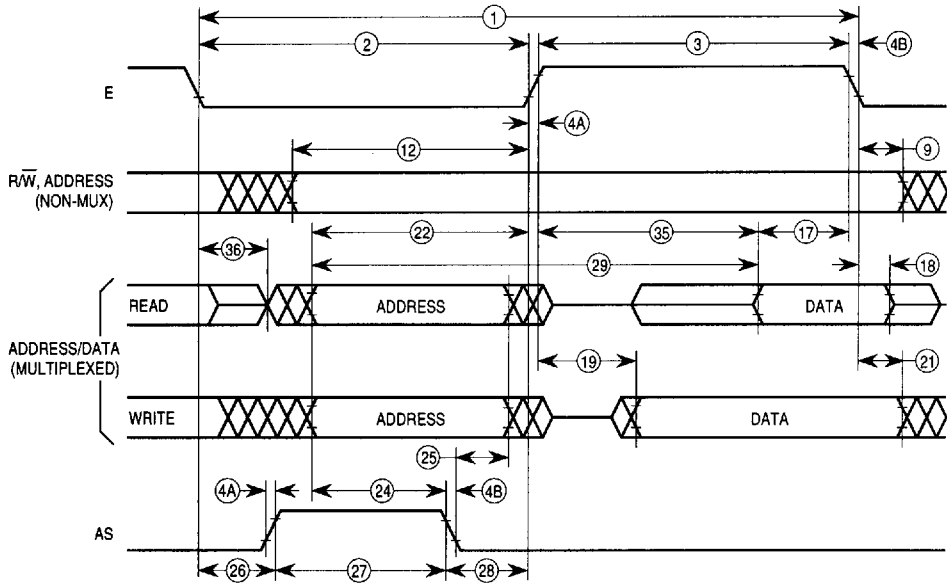
Table A-7a. Expansion Bus Timing (MC68L11E9)

$V_{DD} = 3.0 \text{ Vdc to } 5.5 \text{ Vdc}$, $V_{SS} = 0 \text{ Vdc}$, $T_A = T_L \text{ to } T_H$

Num	Characteristic	Symbol	1.0 MHz		2.0 MHz		Unit
			Min	Max	Min	Max	
	Frequency of Operation (E-Clock Frequency)	f_o	dc	1.0	dc	2.0	MHz
1	Cycle Time	t_{cyc}	1000	—	500	—	ns
2	Pulse Width, E Low $PW_{EL} = 1/2 t_{cyc} - 25 \text{ ns}$	PW_{EL}	475	—	225	—	ns
3	Pulse Width, E High $PW_{EH} = 1/2 t_{cyc} - 30 \text{ ns}$	PW_{EH}	470	—	220	—	ns
4A	E and AS Rise Time	t_r	—	25	—	25	ns
4B	E and AS Fall Time	t_f	—	25	—	25	ns
9	Address Hold Time $t_{AH} = 1/8 t_{cyc} - 30 \text{ ns}$ (Note 1a)	t_{AH}	95	—	33	—	ns
12	Nonmultiplexed Address Valid Time to E Rise $t_{AV} = PW_{EL} - (t_{ASD} + 80 \text{ ns})$ (Note 1a)	t_{AV}	275	—	88	—	ns
17	Read Data Setup Time	t_{DSR}	30	—	30	—	ns
18	Read Data Hold Time (Max = t_{MAD})	t_{DHR}	0	150	0	88	ns
19	Write Data Delay Time $t_{DDW} = 1/8 t_{cyc} + 70 \text{ ns}$ (Note 1a)	t_{DDW}	—	195	—	133	ns
21	Write Data Hold Time $t_{DHW} = 1/8 t_{cyc} - 30 \text{ ns}$ (Note 1a)	t_{DHW}	95	—	33	—	ns
22	Multiplexed Address Valid Time to E Rise $t_{AVM} = PW_{EL} - (t_{ASD} + 90 \text{ ns})$ (Note 1a)	t_{AVM}	265	—	78	—	ns
24	Multiplexed Address Valid Time to AS Fall $t_{ASL} = PW_{ASH} - 70 \text{ ns}$	t_{ASL}	150	—	25	—	ns
25	Multiplexed Address Hold Time $t_{AHL} = 1/8 t_{cyc} - 30 \text{ ns}$ (Note 1b)	t_{AHL}	95	—	33	—	ns
26	Delay Time, E to AS Rise $t_{ASD} = 1/8 t_{cyc} - 5 \text{ ns}$ (Note 1a)	t_{ASD}	120	—	58	—	ns
27	Pulse Width, AS High $PW_{ASH} = 1/4 t_{cyc} - 30 \text{ ns}$	PW_{ASH}	220	—	95	—	ns
28	Delay Time, AS to E Rise $t_{ASED} = 1/8 t_{cyc} - 5 \text{ ns}$ (Note 1b)	t_{ASED}	120	—	58	—	ns
29	MPU Access Access Time $t_{ACCA} = t_{cyc} - (PW_{EL} - t_{AVM}) - t_{DSR} - t_f$ (Note 1a)	t_{ACCA}	735	—	298	—	ns
35	MPU Access Time $t_{ACCE} = PW_{EH} - t_{DSR}$	t_{ACCE}	—	440	—	190	ns
36	Multiplexed Address Delay (Previous Cycle MPU Read) $t_{MAD} = t_{ASD} + 30 \text{ ns}$ (Note 1a)	t_{MAD}	150	—	88	—	ns

NOTES:

- Input clocks with duty cycles other than 50% affect bus performance. Timing parameters affected by input clock duty cycle are identified by (a) and (b). To recalculate the approximate bus timing values, substitute the following expressions in place of $1/8 t_{cyc}$ in the above formulas, where applicable:
 - (a) $(1-DC) \times 1/4 t_{cyc}$
 - (b) $DC \times 1/4 t_{cyc}$
 Where:
 DC is the decimal value of duty cycle percentage (high time).
- All timing is shown with respect to 20% V_{DD} and 70% V_{DD} , unless otherwise noted.



NOTE: Measurement points shown are 20% and 70% of V_{DD} .

MUX BUS TIM

Figure A-14. Multiplexed Expansion Bus Timing Diagram

Table A-8. Serial Peripheral Interface Timing

$V_{DD} = 5.0 \text{ Vdc} \pm 10\%$, $V_{SS} = 0 \text{ Vdc}$, $T_A = T_L \text{ to } T_H$

Num	Characteristic	Symbol	2.0 MHz		3.0 MHz		Unit
			Min	Max	Min	Max	
	Operating Frequency Master Slave	$f_{op(m)}$ $f_{op(s)}$	dc dc	0.5 2.0	dc dc	0.5 3.0	f_{op} MHz
1	Cycle Time Master Slave	$t_{cyc(m)}$ $t_{cyc(s)}$	2.0 500	— —	2.0 333	— —	t_{cyc} ns
2	Enable Lead Time Master (Note 2) Slave	$t_{lead(m)}$ $t_{lead(s)}$	— 250	— —	— 240	— —	ns ns
3	Enable Lag Time Master (Note 2) Slave	$t_{lag(m)}$ $t_{lag(s)}$	— 250	— —	— 240	— —	ns ns
4	Clock (SCK) High Time Master Slave	$t_{w(SCKH)m}$ $t_{w(SCKH)s}$	340 190	— —	227 127	— —	ns ns
5	Clock (SCK) Low Time Master Slave	$t_{w(SCKL)m}$ $t_{w(SCKL)s}$	340 190	— —	227 127	— —	ns ns
6	Data Setup Time (Inputs) Master Slave	$t_{su(m)}$ $t_{su(s)}$	100 100	— —	100 100	— —	ns ns
7	Data Hold Time (Inputs) Master Slave	$t_{h(m)}$ $t_{h(s)}$	100 100	— —	100 100	— —	ns ns
8	Access Time (Time to Data Active from High-Impedance State) Slave	t_a	0	120	0	120	ns
9	Disable Time (Hold Time to High-Impedance State) Slave	t_{dis}	—	240	—	167	ns
10	Data Valid (After Enable Edge) (Note 3)	$t_v(s)$	—	240	—	167	ns
11	Data Hold Time (Outputs) (After Enable Edge)	t_{ho}	0	—	0	—	ns
12	Rise Time (20% V_{DD} to 70% V_{DD} , $C_L = 200 \text{ pF}$) SPI Outputs (SCK, MOSI, and MISO) SPI Inputs (SCK, MOSI, MISO, and SS)	t_{rm} t_{rs}	— —	100 2.0	— —	100 2.0	ns μs
13	Fall Time (70% V_{DD} to 20% V_{DD} , $C_L = 200 \text{ pF}$) SPI Outputs (SCK, MOSI, and MISO) SPI Inputs (SCK, MOSI, MISO, and SS)	t_{fm} t_{fs}	— —	100 2.0	— —	100 2.0	ns μs

NOTES:

1. All timing is shown with respect to 20% V_{DD} and 70% V_{DD} , unless otherwise noted.
2. Signal production depends on software.
3. Assumes 200 pF load on SCK, MOSI, and MISO pins.

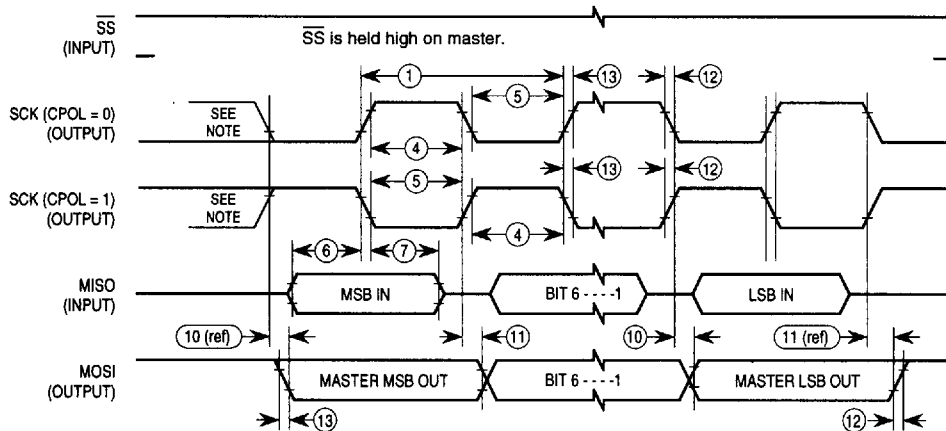
Table A-8a. Serial Peripheral Interface Timing (MC68L11E9)

$V_{DD} = 3.0 \text{ Vdc to } 5.5 \text{ Vdc}$, $V_{SS} = 0 \text{ Vdc}$, $T_A = T_L \text{ to } T_H$

Num	Characteristic	Symbol	1.0 MHz		2.0 MHz		Unit
			Min	Max	Min	Max	
	Operating Frequency Master Slave	$f_{op(m)}$ $f_{op(s)}$	dc dc	0.5 1.0	dc dc	0.5 2.0	f_{op} MHz
1	Cycle Time Master Slave	$t_{cyc(m)}$ $t_{cyc(s)}$	2.0 1000	— —	2.0 500	— —	t_{cyc} ns
2	Enable Lead Time Master (Note 2) Slave	$t_{lead(m)}$ $t_{lead(s)}$	— 500	— —	— 250	— —	ns ns
3	Enable Lag Time Master (Note 2) Slave	$t_{lag(m)}$ $t_{lag(s)}$	— 500	— —	— 250	— —	ns ns
4	Clock (SCK) High Time Master Slave	$t_{w(SCKH)m}$ $t_{w(SCKH)s}$	680 380	— —	340 190	— —	ns ns
5	Clock (SCK) Low Time Master Slave	$t_{w(SCKL)m}$ $t_{w(SCKL)s}$	680 380	— —	340 190	— —	ns ns
6	Data Setup Time (Inputs) Master Slave	$t_{su(m)}$ $t_{su(s)}$	100 100	— —	100 100	— —	ns ns
7	Data Hold Time (Inputs) Master Slave	$t_{h(m)}$ $t_{h(s)}$	100 100	— —	100 100	— —	ns ns
8	Access Time (Time to Data Active from High-Imp. State) Slave	t_a	0	120	0	120	ns
9	Disable Time (Hold Time to High-Impedance State) Slave	t_{dis}	—	240	—	240	ns
10	Data Valid (After Enable Edge) (Note 3)	$t_{v(s)}$	—	240	—	240	ns
11	Data Hold Time (Outputs) (After Enable Edge)	t_{ho}	0	—	0	—	ns
12	Rise Time (20% V_{DD} to 70% V_{DD} , $C_L = 200 \text{ pF}$) SPI Outputs (SCK, MOSI, and MISO) SPI Inputs (SCK, MOSI, MISO, and SS)	t_{rm} t_{rs}	— —	100 2.0	— —	100 2.0	ns μs
13	Fall Time (70% V_{DD} to 20% V_{DD} , $C_L = 200 \text{ pF}$) SPI Outputs (SCK, MOSI, and MISO) SPI Inputs (SCK, MOSI, MISO, and SS)	t_{fm} t_{fs}	— —	100 2.0	— —	100 2.0	ns μs

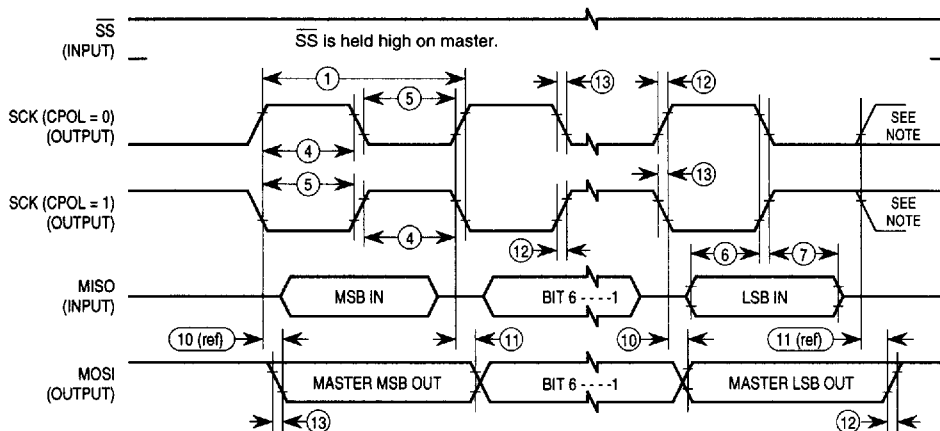
NOTES:

1. All timing is shown with respect to 20% V_{DD} and 70% V_{DD} , unless otherwise noted.
2. Signal production depends on software.
3. Assumes 100 pF load on all SPI pins.



SPI MASTER CPHA0 TIM

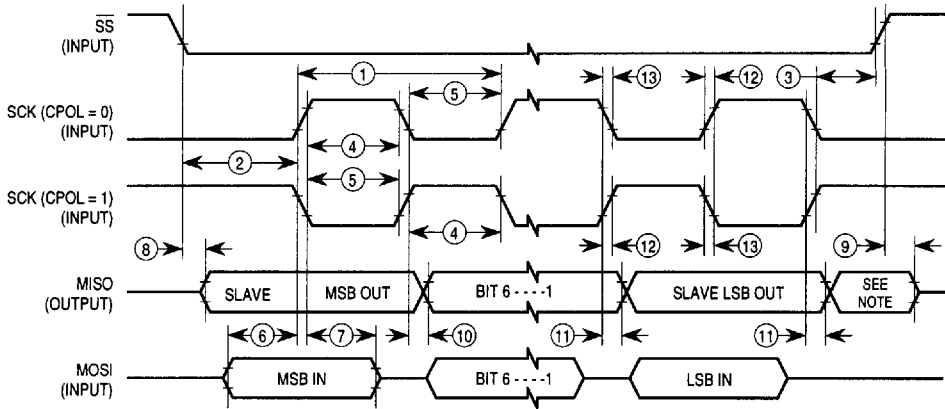
a) SPI Master Timing (CPHA = 0)



SPI MASTER CPHA1 TIM

b) SPI Master Timing (CPHA = 1)

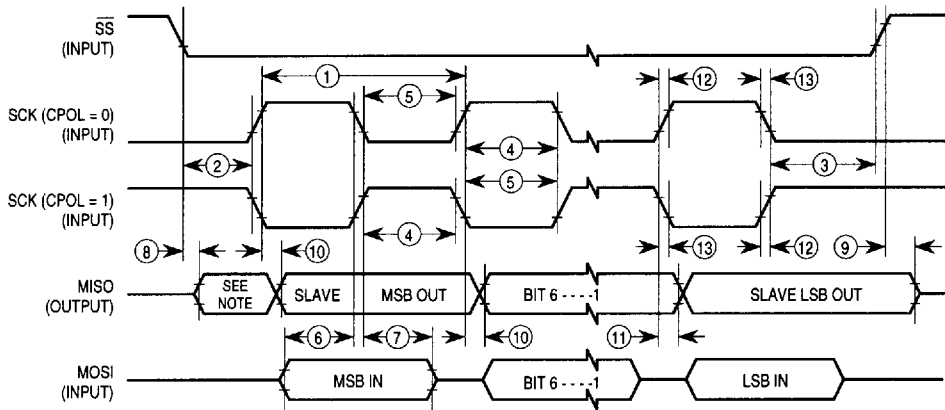
Figure A-15. SPI Timing Diagram (1 of 2)



NOTE: Not defined but normally MSB of character just received.

SPI SLAVE CPHA0.TIM

a) SPI Slave Timing (CPHA = 0)



NOTE: Not defined but normally LSB of character previously transmitted.

SPI SLAVE CPHA1.TIM

b) SPI Slave Timing (CPHA = 1)

Figure A-15. SPI Timing Diagram (2 of 2)

Table A-9. EEPROM Characteristics

$V_{DD} = 5.0 \text{ Vdc} \pm 10\%$, $V_{SS} = 0 \text{ Vdc}$, $T_A = T_L \text{ to } T_H$

Characteristic	Temperature Range			Unit	
	- 40 to 85° C	- 40 to 105° C	- 40 to 125° C		
Programming Time (Note 1)	<1.0 MHz, RCO Enabled	10	15	20	ms
	1.0 to 2.0 MHz, RCO Enabled	20	Must use RCO	Must use RCO	
	≥ 2.0 MHz (or Anytime RCO Enabled)	10	15	20	
Erase Time (Note 1)	Byte, Row and Bulk	10	10	10	ms
Write/Erase Endurance (Note 2)		10,000	10,000	10,000	Cycles
Data Retention (Note 2)		10	10	10	Years

NOTES:

1. The RC oscillator (RCO) must be enabled (by setting the CSEL bit in the OPTION register) for EEPROM programming and erasure when the E-clock frequency is below 1.0 MHz.
2. Refer to Reliability Monitor Report (current quarterly issue) for current failure rate information.

Table A-9a. EEPROM Characteristics (MC68L11E9)

$V_{DD} = 3.0 \text{ Vdc to } 5.5 \text{ Vdc}$, $V_{SS} = 0 \text{ Vdc}$, $T_A = T_L \text{ to } T_H$

Characteristic		Temperature Range	Unit
		- 20 to 70° C	
Programming Time (Note 1)	3 V, E ≤ 2.0 MHz, RCO Enabled	25	ms
	5 V, E ≤ 2.0 MHz, RCO Enabled	10	ms
Erase Time (Byte, Row and Bulk) (Note 1)	3 V, E ≤ 2.0 MHz, RCO Enabled	25	ms
	5 V, E ≤ 2.0 MHz, RCO Enabled	10	ms
Write/Erase Endurance (Note 2)		10,000	Cycles
Data Retention (Note 2)		10	Years

NOTES:

1. The RC oscillator (RCO) must be enabled (by setting the CSEL bit in the OPTION register) for EEPROM programming and erasure.
2. Refer to Reliability Monitor Report (current quarterly issue) for current failure rate information.