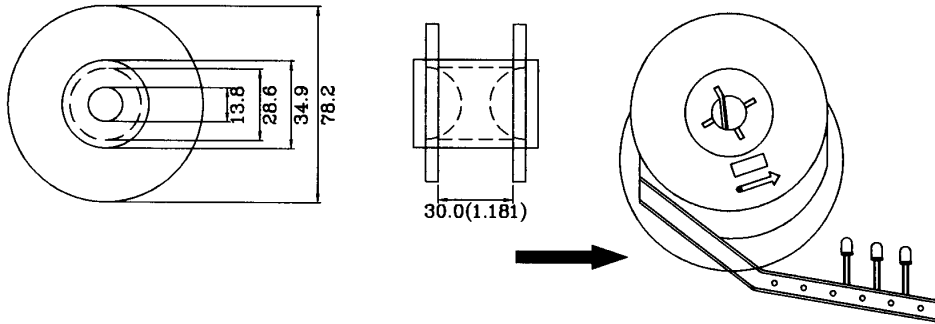
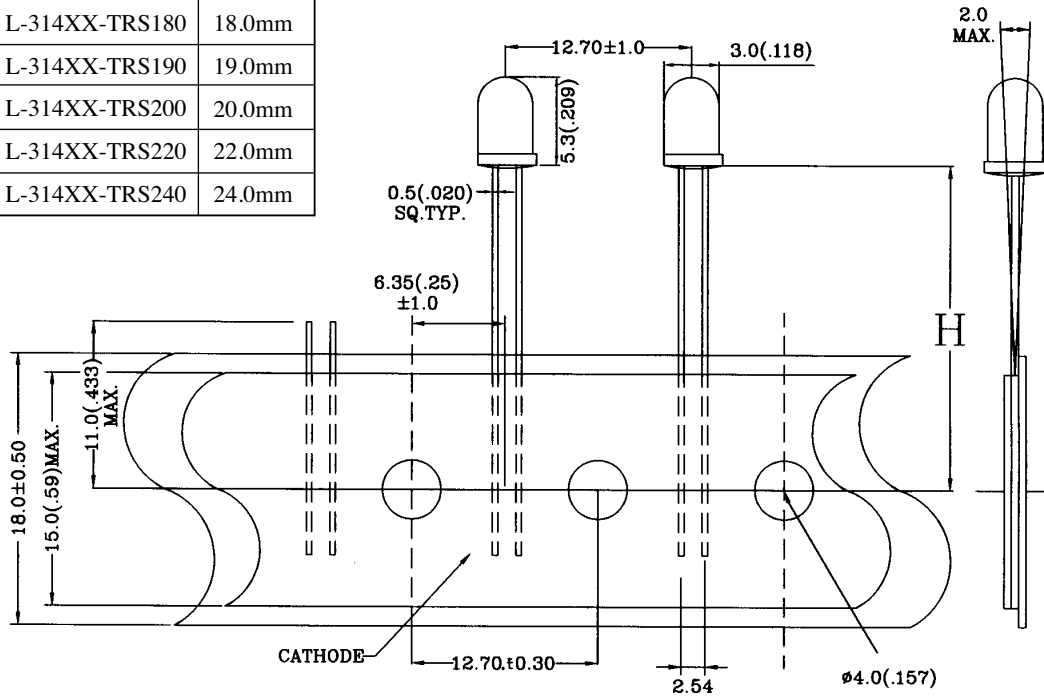


Part No.	H
L-314XX-TRS180	18.0mm
L-314XX-TRS190	19.0mm
L-314XX-TRS200	20.0mm
L-314XX-TRS220	22.0mm
L-314XX-TRS240	24.0mm



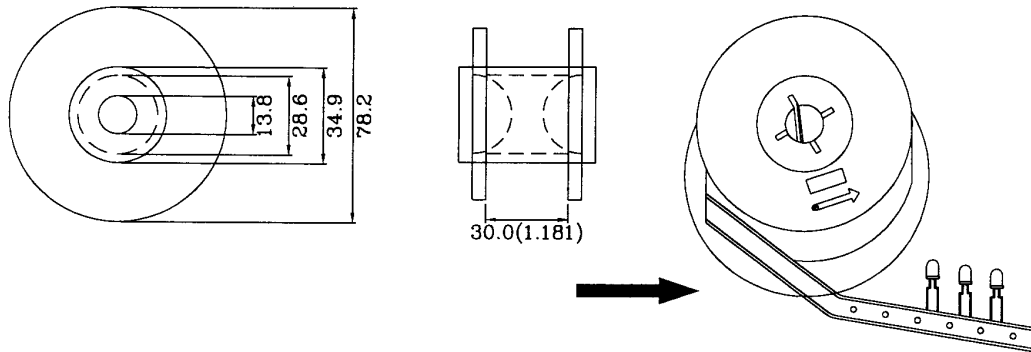
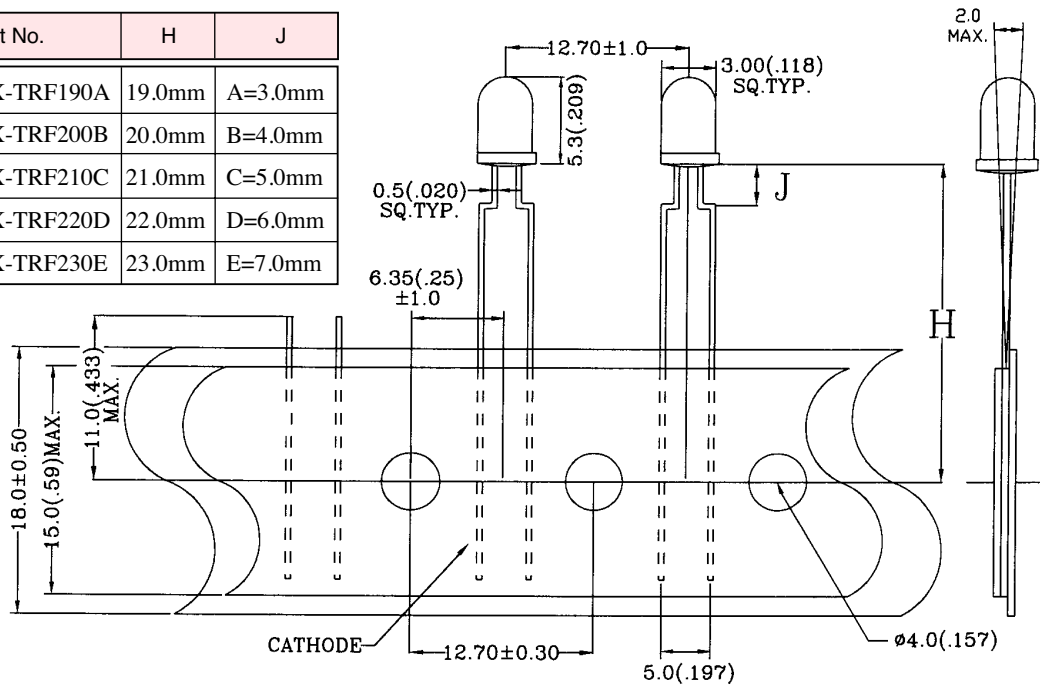
Loaded quantity per reel : 2000 pcs/reel

Part No.	Chip		Lens Color	Wave Length λ_p (nm)	Electro-Optical Characteristics			View Angle (deg)
	Raw Material	Emitted Color			Vf(V)20mA		Iv(mcd)20mA	
					Typ.	Max.	Typ.	
L-314HD-TRSH	GaP	Red	Red Diffused	700	2.3	2.8	8.0	60
L-314GD-TRSH	GaP	Green	Green Diffused	565	2.2	2.8	20.0	60
L-314YD-TRSH	GaAsP/GaP	Yellow	Yellow Diffused	585	2.1	2.8	15.0	60
L-314ED-TRSH	GaAsP/GaP	Hi.effi Red	Red Diffused	635	2.1	2.8	25.0	60
L-314SRD-TRSH	GaAlAs	Super Red	Red Diffused	660	1.8	2.2	50.0	60

1.All dimension are in millimeters (inches).

2.Tolerance is ± 0.25 mm (0.01") unless otherwise specified.

Part No.	H	J
L-314XX-TRF190A	19.0mm	A=3.0mm
L-314XX-TRF200B	20.0mm	B=4.0mm
L-314XX-TRF210C	21.0mm	C=5.0mm
L-314XX-TRF220D	22.0mm	D=6.0mm
L-314XX-TRF230E	23.0mm	E=7.0mm



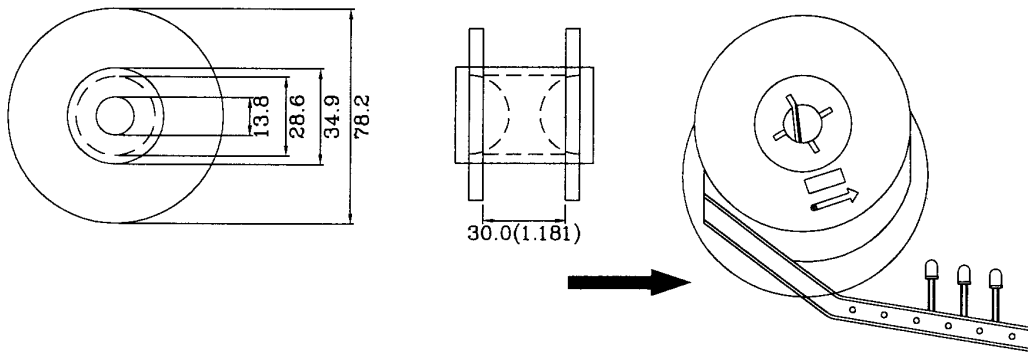
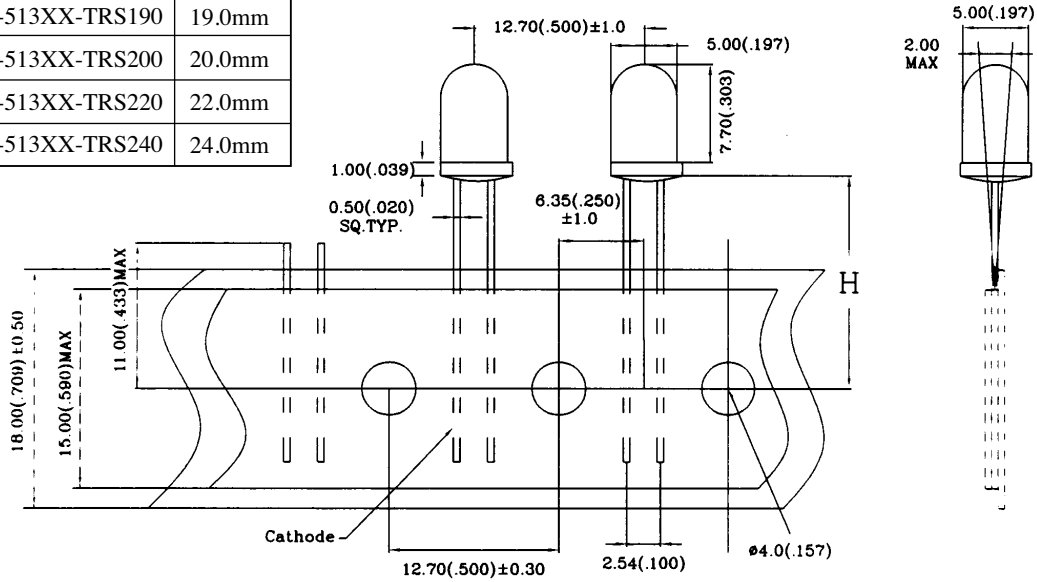
Loaded quantity per reel : 2000 pcs/reel

Part No.	Chip		Lens Color	Wave Length λ p(nm)	Electro-Optical Characteristics			View Angle (deg)
	Raw Material	Emitted Color			Vf(V)20mA		lv(mcd)20mA	
					Typ.	Max.	Typ.	
L-314HD-TRFHJ	GaP	Red	Red Diffused	700	2.3	2.8	8.0	60
L-314GD-TRFHJ	GaP	Green	Green Diffused	565	2.2	2.8	20.0	60
L-314YD-TRFHJ	GaAsP/GaP	Yellow	Yellow Diffused	585	2.1	2.8	15.0	60
L-314ED-TRFHJ	GaAsP/GaP	Hi.eff Red	Red Diffused	635	2.1	2.8	25.0	60
L-314SRD-TRFHJ	GaAlAs	Super Red	Red Diffused	660	1.8	2.2	50.0	60

1.All dimension are in millimeters (inches).

2.Tolerance is ± 0.25 mm (0.01") unless otherwise specified.

Part No.	H
L-513XX-TRS180	18.0mm
L-513XX-TRS190	19.0mm
L-513XX-TRS200	20.0mm
L-513XX-TRS220	22.0mm
L-513XX-TRS240	24.0mm



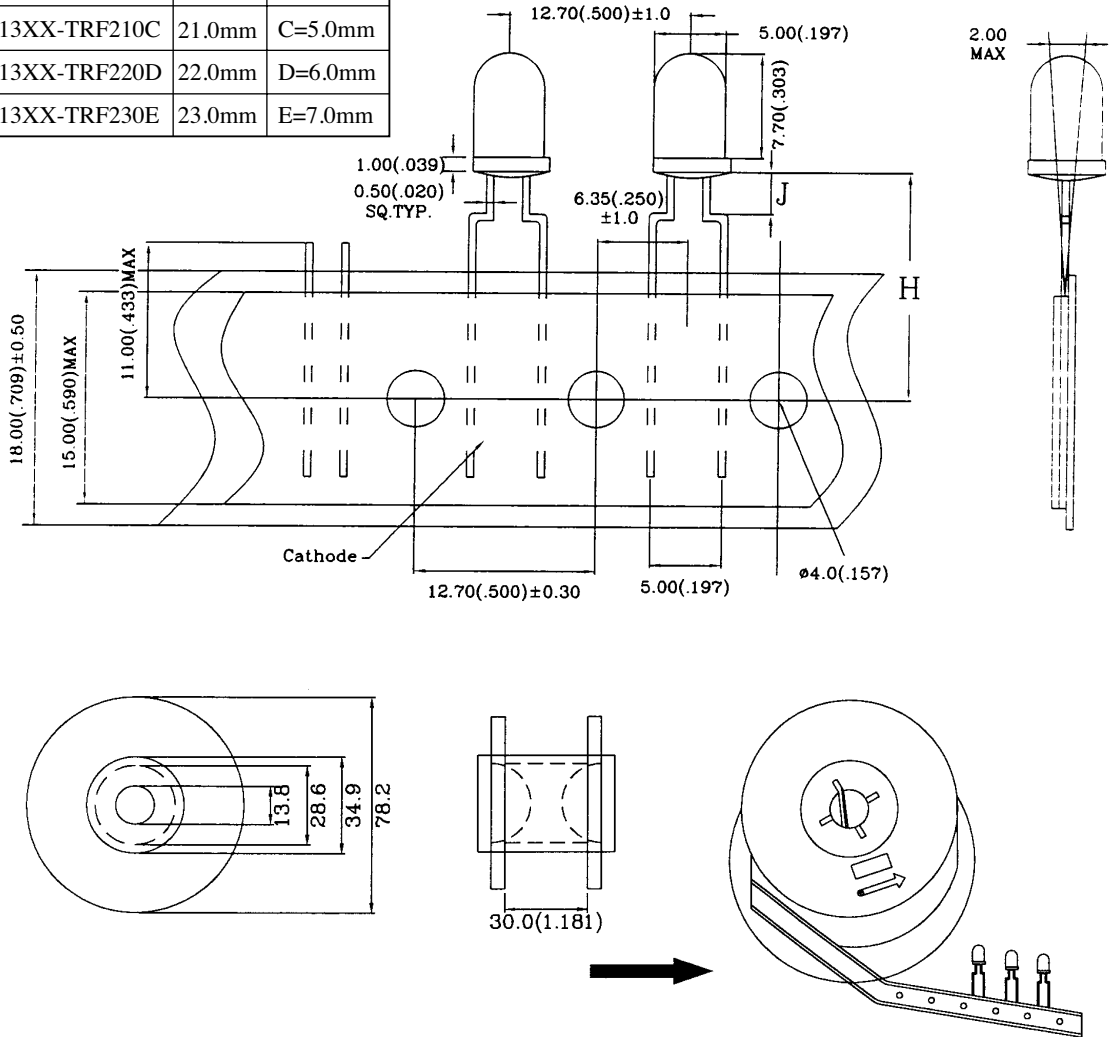
Loaded quantity per reel : 1000 pcs/reel

Part No.	Chip		Lens Color	Wave Length λ_p (nm)	Electro-Optical Characteristics			View Angle (deg)
	Raw Material	Emitted Color			Vf(V)20mA		Iv(mcd)20mA Typ.	
					Typ.	Max.		
L-513HD-TRSH	GaP	Red	Red Diffused	700	2.3	2.8	8.0	60
L-513GD-TRSH	GaP	Green	Green Diffused	565	2.2	2.8	20.0	60
L-513YD-TRSH	GaAsP/GaP	Yellow	Yellow Diffused	585	2.1	2.8	15.0	60
L-513ED-TRSH	GaAsP/GaP	Hi.effi Red	Red Diffused	635	2.1	2.8	30.0	60
L-513SRD-TRSH	GaAlAs	Super Red	Red Diffused	660	1.8	2.2	45.0	60

- 1.All dimension are in millimeters (inches).
- 2.Tolerance is ± 0.25 mm (0.01") unless otherwise specified.

L-513XX-TRFHJ 5.0mm Dia LED LAMP, TAPE & REEL

Part No.	H	J
L-513XX-TRF190A	19.0mm	A=3.0mm
L-513XX-TRF200B	20.0mm	B=4.0mm
L-513XX-TRF210C	21.0mm	C=5.0mm
L-513XX-TRF220D	22.0mm	D=6.0mm
L-513XX-TRF230E	23.0mm	E=7.0mm



Loaded quantity per reel : 1000 pcs/reel

Part No.	Chip		Lens Color	Wave Length λ p(nm)	Electro-Optical Characteristics			View Angle (deg)
	Raw Material	Emitted Color			Vf(V)20mA		Iv(mcd)20mA	
					Typ.	Max.	Typ.	
L-513HD-TRFHJ	GaP	Red	Red Diffused	700	2.3	2.8	8.0	60
L-513GD-TRFHJ	GaP	Green	Green Diffused	565	2.2	2.8	20.0	60
L-513YD-TRFHJ	GaAsP/GaP	Yellow	Yellow Diffused	585	2.1	2.8	15.0	60
L-513ED-TRFHJ	GaAsP/GaP	Hi.effi Red	Red Diffused	635	2.1	2.8	30.0	60
L-513SRD-TRFHJ	GaAlAs	Super Red	Red Diffused	660	1.8	2.2	45.0	60

- 1.All dimension are in millimeters (inches).
- 2.Tolerance is ± 0.25 mm (0.01") unless otherwise specified.