

Features

- 32-kHz Crystal Oscillator
- 1.1V to 2.2V Operating-voltage Range
- Integrated Capacitors for Digital Trimming
- Suitable for up to 12.5 pF Quartz
- Output Pulse Formers
- Mask Options for Motor Period and Pulse Width
- Low Resistance Output for Bipolar Stepping Motor
- Motor Fast-test Function

1. Description

The e1466D is an integrated circuit in CMOS Silicon Gate Technology for analog clocks. It consists of a 32-kHz oscillator, frequency divider, output pulse formers and push-pull motor drivers. Integrated capacitors are mask-selectable to accommodate the external quartz crystal. Additional capacitance can be selected through pad bonding for trimming the oscillator frequency.



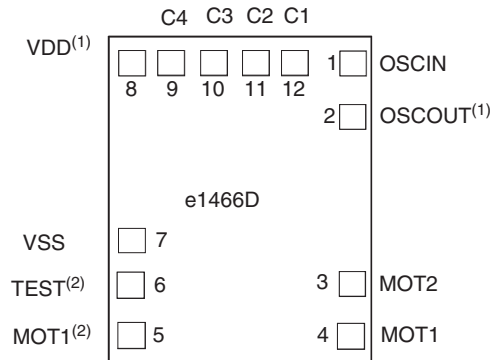
32-kHz Clock CMOS IC with Digital Trimming

e1466D



2. Pin Configuration

Figure 2-1. Pad Layout



(1) The pads VDD and OSCOUT are interchangeable per mask option
 (2) The pads TEST and MOT1 are interchangeable per mask option

Figure 2-2. Pinning DIP8

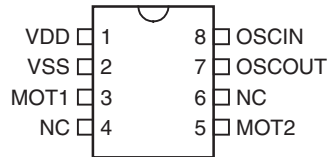


Figure 2-3. Pinning SO8

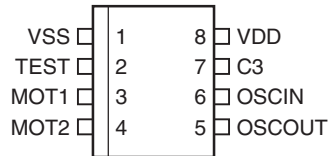


Table 2-1. Pin Description

Name	Description
VDD	Positive supply voltage
VSS	Negative supply voltage
OSCIN	Oscillator input
OSCOUT	Oscillator output
MOT1/2	Motor drive outputs
C1, C2, C3, C4	Oscillator trimming inputs
TEST	TEST input/output
NC	Not connected

3. Functional Description

3.1 Oscillator

An oscillator inverter with feedback resistor is provided to generate the 32768 Hz clock frequency. Values for the fixed capacitors at OSCIN and OSCOUT are mask-selectable (see note 3 of “Operating Characteristics”). Four capacitor pads, C1 to C4, enable the users to add integrated trimming capacitors to OSCIN, providing 15 tuning steps.

3.2 Trimming Capacitors

A frequency variation of typically 4 ppm for each tuning step is obtained by bonding the capacitor pads to OSCIN. As none of these pads are bonded, the IC is in an untrimmed state. [Figure 6-1 on page 6](#) shows the trimming curve characteristic.

Note: For applications which utilize this integrated trimming feature, Atmel will determine optimum values for the integrated capacitors COSCIN and COSCOUT.

Capacitor pads C1 to C4: 0 = open, 1 = connected to OSCIN

Combination C1 + C4 is redundant and therefore eliminated from the list

Table 3-1. Frequency Trimming Table

Capacitor Pads				Trimming Step
C4	C3	C2	C1	
0	0	0	0	0
0	0	0	1	1
0	0	1	0	2
0	1	0	0	3
1	0	0	0	4
0	0	1	1	5
0	1	0	1	6
0	1	1	0	7
1	0	1	0	8
1	1	0	0	9
0	1	1	1	10
1	0	1	1	11
1	1	0	1	12
1	1	1	0	13
1	1	1	1	14

3.3 Motor Drive Output

The e1466D contains two push-pull output buffers for driving bipolar stepping motors. During a motor pulse, the N-channel device of one buffer and the P-channel device of the other buffer will be activated. Both N-channel transistors are on and conducting between output pulses. The outputs are protected against inductive voltage spikes with diodes to both supply pins. The motor output period and pulse width are mask-programmable, as listed below:

Available motor periods (T_M): 125, 250, 500 ms and 2, 16s

Available max. pulse widths (t_M): 15, 6, 23.4, 31.25, 46.9 ms and 1s

Available motor periods for motor test (T_{MT}): 250, 500 ms and 1s

Note: The following constraints for combination of motor period and pulse widths have to be considered:

$$T_M > 4 \times t_M, T_{MT} > 4 \times t_M \text{ or alternatively } T_M = 2 \times t_M, T_{MT} = 2 \times t_M$$

3.4 Test Functions

For test purposes, the TEST pad is open. With a high resistance probe ($R \geq 10 \text{ M}\Omega$, $C \geq 20 \text{ pF}$), a test frequency f_{TEST} of 128 Hz can be measured at the TEST pad. Connecting TEST (for at least 32 ms) to V_{DD} changes the motor period from the selected value to T_{MT} (mask-selectable) while the pulse width remains unaffected. This feature can be used for testing the mechanical parts of the clock.

4. Absolute Maximum Ratings

Absolute maximum ratings define parameter limits which, if exceeded, may permanently change or damage the device.

All inputs and outputs on Atmel's circuits are protected against electrostatic discharges. However, precautions to minimize the build-up of electrostatic charges during handling are recommended.

The circuit is protected against supply voltage reversal for typically 5 minutes.

Parameters	Symbol	Value	Unit
Supply voltage	V_{SS}	-0.3 to 5 V	V
Input voltage range, all inputs	V_{IN}	$(V_{SS} - 0.3V) \leq V_{IN} \leq (V_{DD} + 0.3V)$	V
Output short-circuit duration		indefinite	
Power dissipation (DIL package)	P_{tot}	125	mW
Operating ambient temperature range	T_{amb}	-20 to +70	°C
Storage temperature range	T_{stg}	-40 to +125	°C
Lead temperature during soldering at 2 mm distance, 10s	T_{sld}	260	°C

5. Operating Characteristics

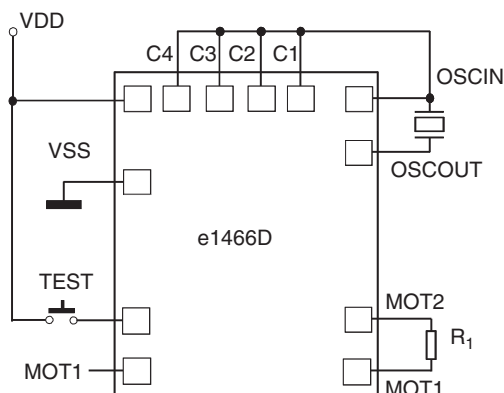
$V_{SS} = 0V$, $V_{DD} = 1.5V$, $T_{amb} = +25^{\circ}C$, unless otherwise specified.

All voltage levels are measured with reference to V_{SS} . Test crystal as specified below.

Parameters	Test Conditions	Symbol	Min.	Typ.	Max.	Unit
Operating voltage		V_{DD}	1.1	1.5	2.2	V
Operating temperature		T_{amb}	-20		+70	$^{\circ}C$
Operating current	$R_1 = \infty^{(2)}$	I_{DD}		2	5	mA
Motor Drive Output						
Motor output current	$V_{DD} = 1.2V$, $R_1 = 200\Omega$	I_M	± 4.3			mA
Motor period		T_M	See option list			
Motor period during motor test		T_{MT}	See option list			
Motor pulse width		t_M	See option list			
Oscillator						
Startup voltage	Within 2s	V_{START}	1.2		2.2	V
Frequency stability	$\Delta V_{DD} = 100\text{ mV}$, $V_{DD} = 1.1\text{ to }2.2V$	$\Delta f/f$		1		ppm
Integrated input capacitance	⁽³⁾	C_{OSCIN}	See option list			
Integrated output capacitance		C_{OSCOU}	See option list			
Integrated capacitance for bond option	⁽⁴⁾	C1		3		pF
		C2		4		pF
		C3		5		pF
		C4		6		pF
TEST Input						
Input current	TEST = V_{DD} peak current	I_{TINH}	0.6	3	10	μA
Input current	TEST = V_{SS} peak current	I_{TINL}	-0.6	-3	-10	μA
Input debounce delay		t_{TIN}	23.4		31.2	ms

- Notes:
1. Typical parameters represent the statistical mean values
 2. See test circuit
 3. Values can be selected in 1 pF steps. A total capacitance ($C_{OSCIN} + C_{OSCOU}$) of 38 pF is available
 4. These values are valid for 10 pF quartz applications. For $C_L = 12.5\text{ pF}$ these values change to 4.5, 6, 7.5, 9 pF

Figure 5-1. Functional Test



6. Test Crystal Specification

Oscillation frequency	$f_{OSC} = 32768 \text{ Hz}$
Series resistance	$R_S = 30 \text{ k}\Omega$
Static capacitance	$C_0 = 1.5 \text{ pF}$
Dynamic capacitance	$C_1 = 3.0 \text{ fF}$
Load capacitance	C_L optionally 10 or 12.5 pF

Figure 6-1. Motor Output Signal During Normal Operation and During Motor Test

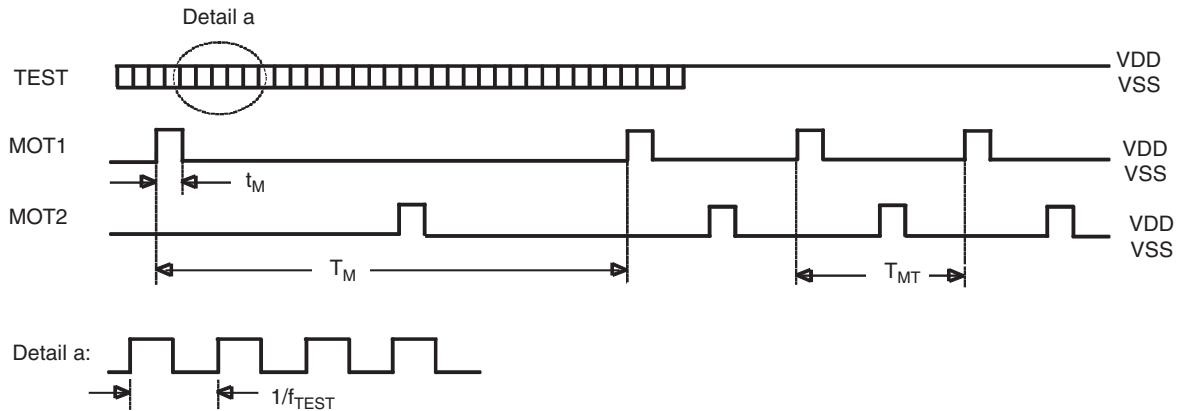
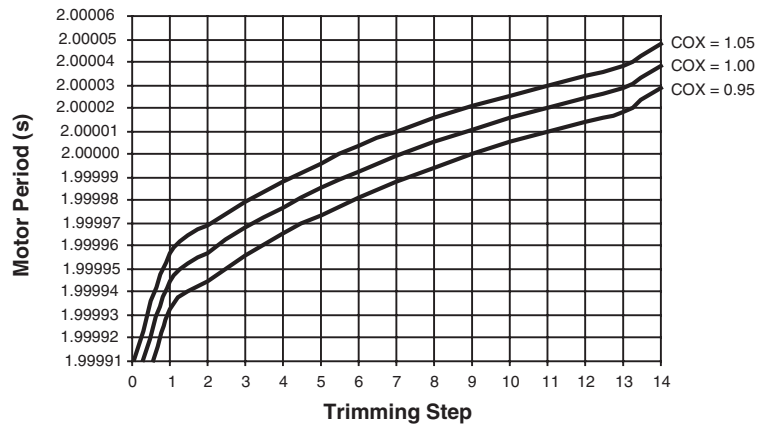


Figure 6-2. Typical Trimming Curve Characteristic for T_M of 2s



COX means frequency deviation due to production process variations.

Trimming inputs C1 ... C4 are binary weighted, i.e.,

C1 ... C4 = 0 corresponds to trimming step 0

C1 ... C4 = 1 corresponds to trimming step 15

LSB = C1

7. Ordering Information

Table 7-1. Option List e1466Dx

Option	Motor			Integrated Capacitance						Load Capacitance
	Cycle (T_M) s	Pulse (t_M) ms	Test (T_{MT}) ms	$C_{OSCIN}^{(1)}$ pF	$C_{OSCOU}^{(1)}$ pF	C1 pF	C2 pF	C3 pF	C4 pF	
HO	2	1000	500/ 250	9	20	3	4	5	6	10

Note: 1. On-chip stray capacitance included

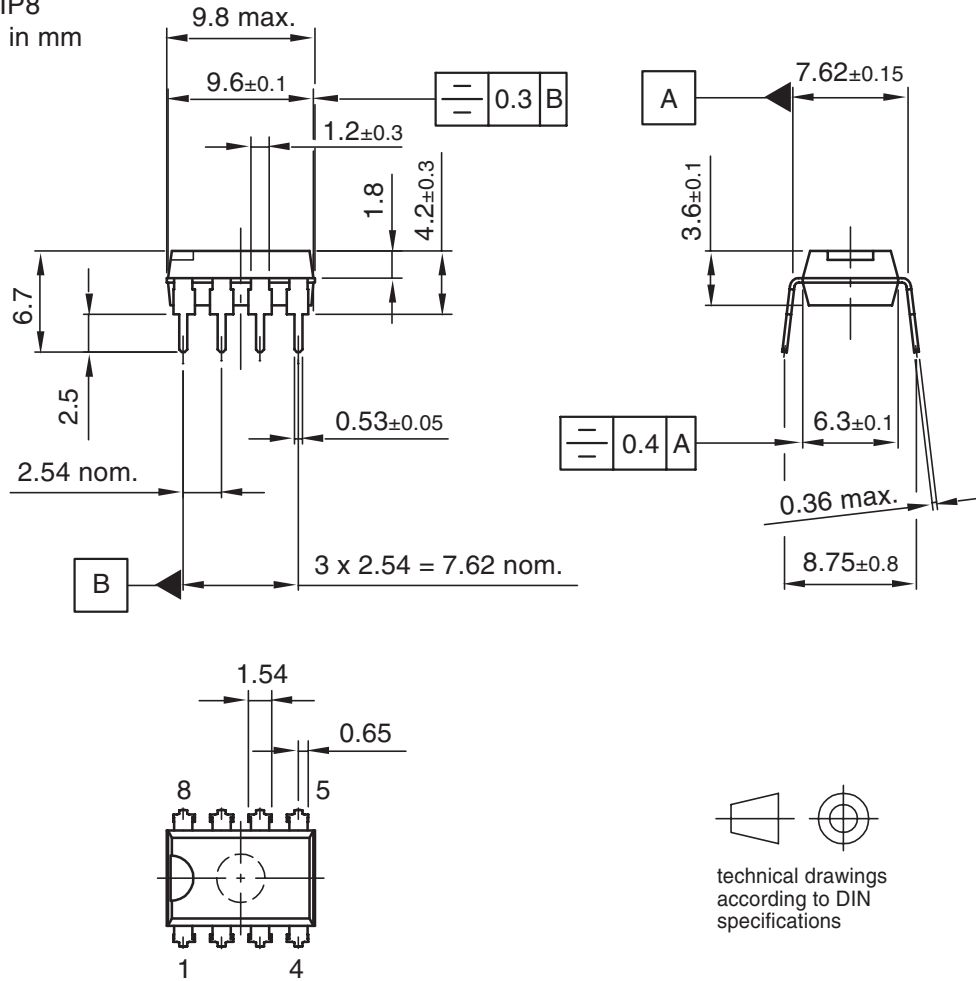
Option	Pad Designation											
x	Pad 1	Pad 2	Pad 3	Pad 4	Pad 5	Pad 6	Pad 7	Pad 8	Pad 9	Pad 10	Pad 11	Pad 12
HO	OSCIN	OSCOU	MOT2	MOT1	MOT1	TEST	V_{SS}	V_{DD}	C4	C3	C2	C1

Table 7-2. Package List

Extended Type Number	Package	Remarks
e1466x-P8Y	DIP8	Tube, Pb-free
e1466x-S8Y	SO8	Tube, Pb-free
e1466x-S8G3Y	SO8	Taped and reeled, Pb-free

8. Package Information

Package: DIP8
Dimensions in mm

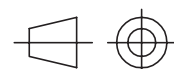
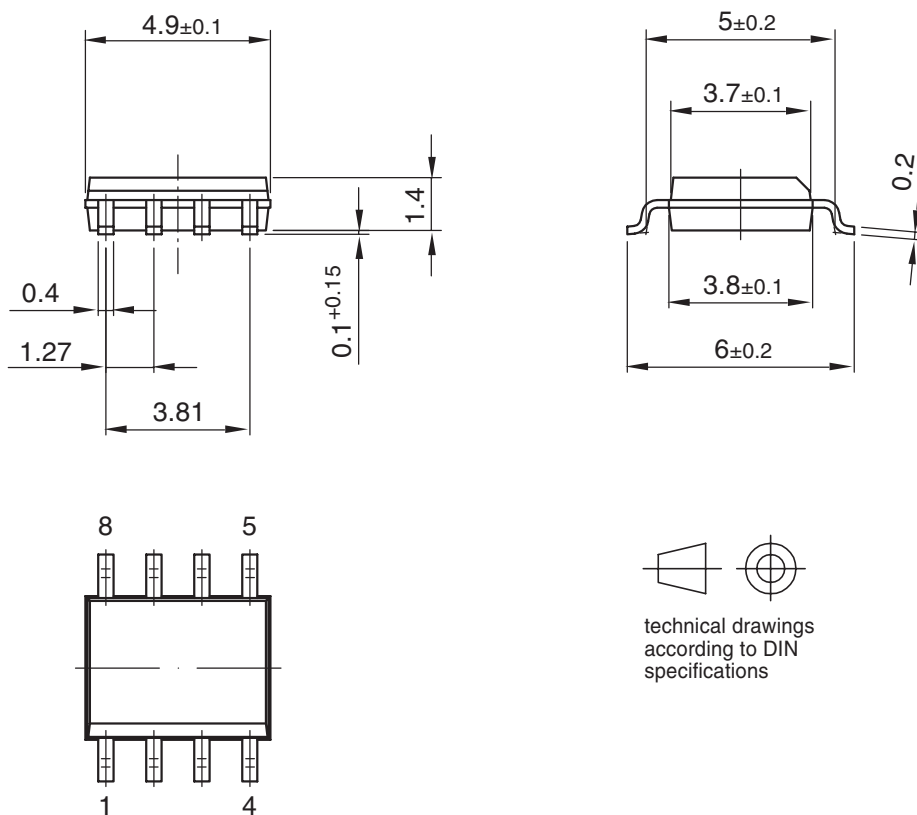


Drawing-No.: 6.543-5040.01-4

Issue: 1; 16.01.02

Package: SO 8

Dimensions in mm



technical drawings according to DIN specifications

Drawing-No.: 6.541-5031.01-4

Issue: 1; 15.08.06

9. Revision History

Please note that the following page numbers referred to in this section refer to the specific revision mentioned, not to this document.

Revision No.	History
4731D-CLOCK-09/07	<ul style="list-style-type: none"> • Put datasheet in a new template • Pb-free logo on page 1 deleted • Section 7 “Ordering Information” on page 7 changed
4731C-CLOCK-08/05	<ul style="list-style-type: none"> • First page: Pb-free logo added • Figure 1-2 on page 2 heading changed in “Pinning DIP8” • Page 7: Table 7-1: FO rows added • Page 7: Table 7-2: Package List added • Page 8+9: Package drawings added
4731B-CLOCK-01/05	<ul style="list-style-type: none"> • Put datasheet in a new template • Figure 1-1 “Pad Layout” on page 2 changed • Figure 1-2 “Pinning DP8” on page 2 added • Figure 1-3 “Pinning SO8” on page 2 added • Table 6-1 “Option List e1466Dx” on page 7 changed



Headquarters

Atmel Corporation
2325 Orchard Parkway
San Jose, CA 95131
USA
Tel: 1(408) 441-0311
Fax: 1(408) 487-2600

International

Atmel Asia
Room 1219
Chinachem Golden Plaza
77 Mody Road Tsimshatsui
East Kowloon
Hong Kong
Tel: (852) 2721-9778
Fax: (852) 2722-1369

Atmel Europe
Le Krebs
8, Rue Jean-Pierre Timbaud
BP 309
78054
Saint-Quentin-en-Yvelines Cedex
France
Tel: (33) 1-30-60-70-00
Fax: (33) 1-30-60-71-11

Atmel Japan
9F, Tonetsu Shinkawa Bldg.
1-24-8 Shinkawa
Chuo-ku, Tokyo 104-0033
Japan
Tel: (81) 3-3523-3551
Fax: (81) 3-3523-7581

Product Contact

Web Site
www.atmel.com

Technical Support
industrial@atmel.com

Sales Contact
www.atmel.com/contacts

Literature Requests
www.atmel.com/literature

Disclaimer: The information in this document is provided in connection with Atmel products. No license, express or implied, by estoppel or otherwise, to any intellectual property right is granted by this document or in connection with the sale of Atmel products. **EXCEPT AS SET FORTH IN ATMEL'S TERMS AND CONDITIONS OF SALE LOCATED ON ATMEL'S WEB SITE, ATMEL ASSUMES NO LIABILITY WHATSOEVER AND DISCLAIMS ANY EXPRESS, IMPLIED OR STATUTORY WARRANTY RELATING TO ITS PRODUCTS INCLUDING, BUT NOT LIMITED TO, THE IMPLIED WARRANTY OF MERCHANTABILITY, FITNESS FOR A PARTICULAR PURPOSE, OR NON-INFRINGEMENT. IN NO EVENT SHALL ATMEL BE LIABLE FOR ANY DIRECT, INDIRECT, CONSEQUENTIAL, PUNITIVE, SPECIAL OR INCIDENTAL DAMAGES (INCLUDING, WITHOUT LIMITATION, DAMAGES FOR LOSS OF PROFITS, BUSINESS INTERRUPTION, OR LOSS OF INFORMATION) ARISING OUT OF THE USE OR INABILITY TO USE THIS DOCUMENT, EVEN IF ATMEL HAS BEEN ADVISED OF THE POSSIBILITY OF SUCH DAMAGES.** Atmel makes no representations or warranties with respect to the accuracy or completeness of the contents of this document and reserves the right to make changes to specifications and product descriptions at any time without notice. Atmel does not make any commitment to update the information contained herein. Unless specifically provided otherwise, Atmel products are not suitable for, and shall not be used in, automotive applications. Atmel's products are not intended, authorized, or warranted for use as components in applications intended to support or sustain life.

© 2007 Atmel Corporation. All rights reserved. Atmel®, logo and combinations thereof, and others are registered trademarks or trademarks of Atmel Corporation or its subsidiaries. Other terms and product names may be trademarks of others.