

# Gas Discharge Tube: GC6 Series



## 3-Electrode $\Phi 6.0 \times T 8.0$ mm Type

### ■ Features

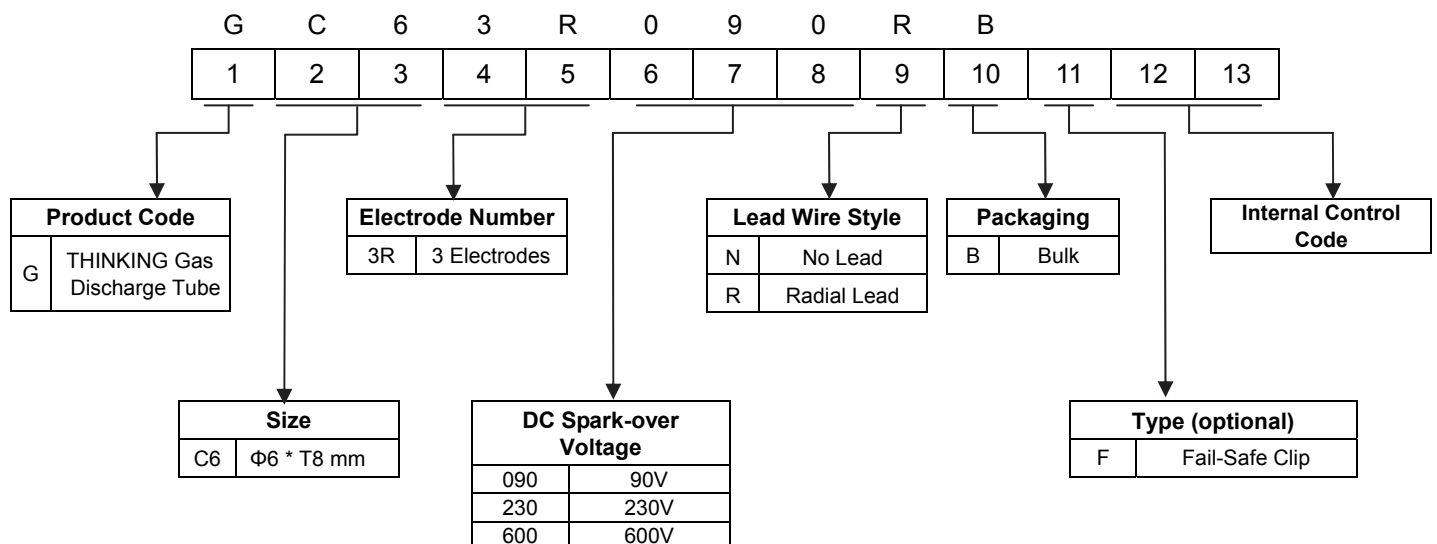
1. RoHS & HF compliant
2. Rugged ceramic-metal construction
3. Available with or without leads
4. Available with fail-safe clip
5. DC spark-over voltage: 90~600V
6. Low capacitance
7. Agency recognition :UL
8. Operating temperature :  $-30^{\circ}\text{C} \sim +85^{\circ}\text{C}$   
Storage temperature:  $-40^{\circ}\text{C} \sim +115^{\circ}\text{C}$



### ■ Recommended Applications

1. Cable Modem
2. xDSL
3. Set-Top Box
4. TV sets
5. Power supplier
6. Consumer electronics

### ■ Part Number Code



# Gas Discharge Tube: GC6 Series



## 3-Electrode $\Phi 6.0 \times T 8.0$ mm Type

### ■ Characteristics

Part No.	DC Spark-over Voltage	Max. Impulse Breakdown Voltage		Max. Impulse Discharge Current (8/20 $\mu$ s)	Impulse Life (10/1000 $\mu$ s)	Normal Alternating Discharge Current	DC Holdover Voltage	Minimum Insulation Resistance	Maximum Capacitance (1MHz)	Safety Approval
	100V/S	100V/ $\mu$ s	1KV/ $\mu$ s	10 times	200 A	50Hz, 1Sec	<150ms			
	(V)	(V)	(V)	(KA)	Times	(A)	(V)			
GC63R090□□(F)	90 $\pm$ 20%	750	850	5	100	5	52	1	2	√
GC63R145□□(F)	145 $\pm$ 20%	750	850	5		5	52			√
GC63R200□□(F)	200 $\pm$ 20%	600	700	10		10	135			√
GC63R230□□(F)	230 $\pm$ 20%	600	700	10		10	135			√
GC63R250□□(F)	250 $\pm$ 20%	600	700	10		10	135			√
GC63R350□□(F)	350 $\pm$ 20%	650	750	5		5	150			√
GC63R400□□(F)	400 $\pm$ 20%	700	800	5		5	150			√
GC63R420□□(F)	420 $\pm$ 20%	700	800	5		5	150			√
GC63R470□□(F)	470 $\pm$ 20%	800	900	5		5	150			√
GC63R600□□(F)	600 $\pm$ 20%	900	1000	5		5	150			√

Note 1: The first □ is the style of lead wire, and the second □ is packaging

Note 2: F = with fail-safe clip for optional.

Note 3: UL 497B File No: E245070

Note 4: Insulation resistance test conditions:

DC Spark-over Voltage	DC Measuring Voltage
90V	50V
145-400V	100V
420-600V	250V

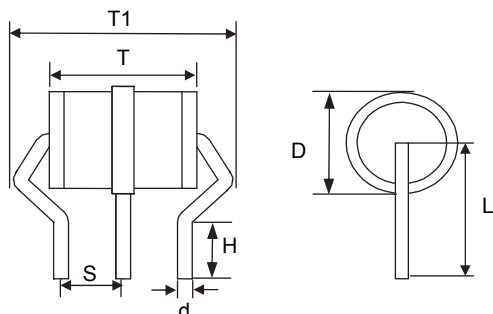
# Gas Discharge Tube: GC6 Series



## 3-Electrode $\Phi 6.0 \times T 8.0$ mm Type

### Dimension

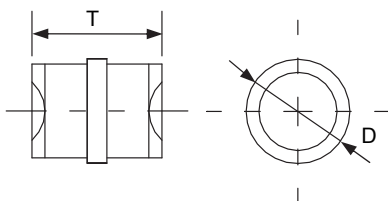
□ = R (Radial lead type)



Unit: mm

Item	Dimensions	
	Spec.	Tolerance
D	6.0	+0.2/-0.5
T	8.5	$\pm 0.5$
T1	11.5	+0.8/-0.5
L	7.5	$\pm 0.5$
S	3.8	$\pm 0.3$
d	0.8	$\pm 0.05$
H	4.5	Min.

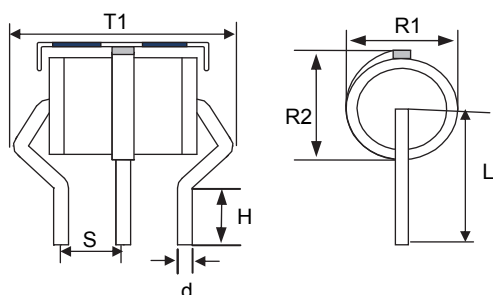
□ = N (No lead type)



Unit: mm

Item	Dimensions	
	Spec.	Tolerance
D	6.0	+0.2/-0.5
T	8.5	$\pm 0.5$

F = with fail-safe clip for optional



Unit: mm

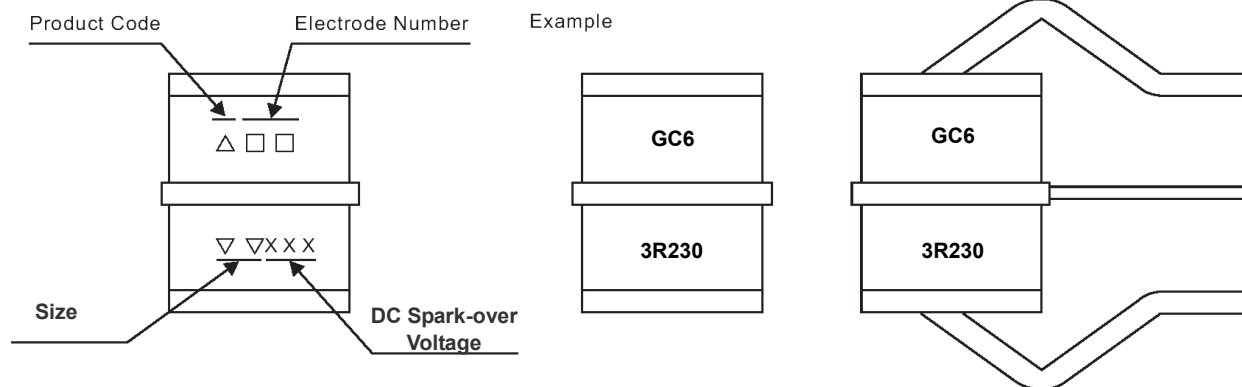
Item	Dimensions	
	Spec.	Tolerance
R1	6.3	$\pm 0.3$
R2	7.6	$\pm 0.4$
T1	11.5	+0.8/-0.5
L	7.5	$\pm 0.5$
S	3.8	$\pm 0.3$
d	0.8	$\pm 0.05$
H	4.5	Min.

# Gas Discharge Tube: GC6 Series



## 3-Electrode $\Phi 6.0 \times T 8.0$ mm Type

### ■ Marking



### ■ Packaging

#### ● Bulk

Plastic Tray (200x210x10mm)	Inner Box (210x225x60mm)	Outside Box (450x245x345mm)
100 PCS/ Plastic Tray	500 PCS/ Box	5,000 PCS/ Carton

### ■ Warehouse Storage Conditions of Products

- Storage Conditions:
  1. Storage Temperature:  $-10^{\circ}\text{C} \sim +40^{\circ}\text{C}$
  2. Relative Humidity:  $\leq 75\% \text{RH}$
  3. Keep away from corrosive atmosphere and sunlight.
- Period of Storage: 1 year