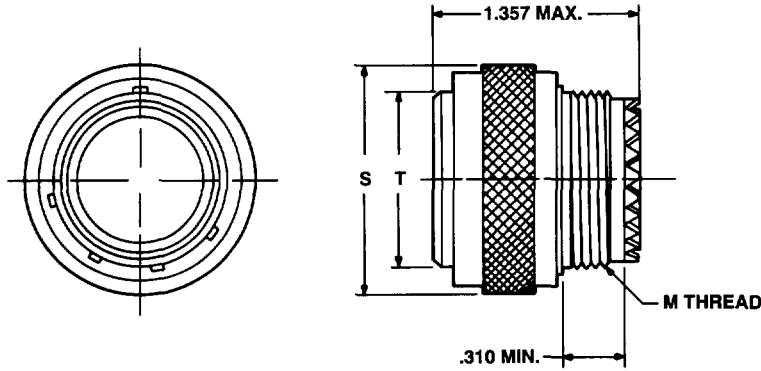


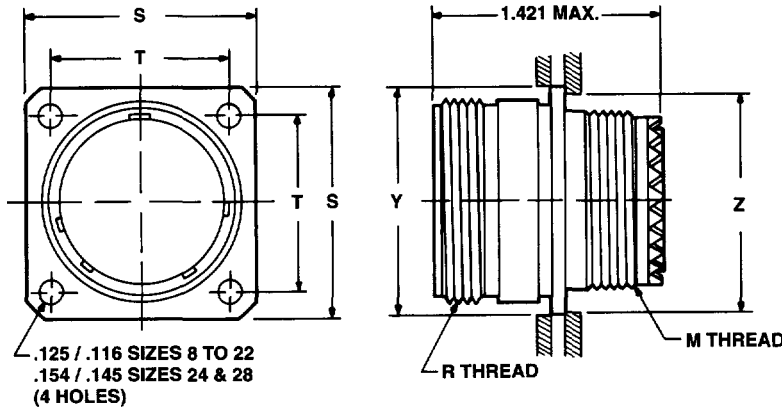
MIL-C-26500/Boeing BACC63BP/BV

aluminum/stainless steel

ratchet lock plug, mating flange receptacle



RATCHET LOCK PLUG
Stainless Steel/Aluminum
Pyle ZZY-RC/AC-12XX* Series
BACC63BPXX*



**MATING FLANGE MOUNTED,
THREADED RECEPTACLE**
Stainless Steel/Aluminum
Pyle ZZY-RC/AC-17XX* Series
BACC63BVXX*

.125 / .116 SIZES 8 TO 22
.154 / .145 SIZES 24 & 28
(4 HOLES)

* To complete order number,
see how to order, page 8.

Shell Size	Cable Support Thread M	Plug		Receptacle				
		Coupling Nut Dia. S Max.	Shell Dia. T +.000 - .005	Coupling Thread R	Flange Width S ±.005	Mounting Hole Centers T ±.005	Back Mount Hole (min.) Y	Front Mount Hole (min.) Z
08	NA	NA	NA	NA	NA	NA	NA	NA
10	.6250-24	.945	.526	.6875-24	.937	.719	.706	.635
12	.7500-20	1.165	.696	.8750-20	1.031	.812	.885	.760
14	.8750-20	1.230	.765	.9375-20	1.125	.906	.947	.885
16	1.0000-20	1.353	.892	1.0625-18	1.250	.969	1.072	1.010
18	1.0625-18	1.468	.998	1.1875-18	1.343	1.062	1.197	1.072
20	1.1875-18	1.607	1.123	1.3125-18	1.437	1.156	1.322	1.197
22	1.3125-18	1.733	1.248	1.4375-18	1.562	1.250	1.447	1.322
24	1.4375-18	1.858	1.373	1.5625-18	1.703	1.375	1.572	1.448
28	1.7500-18	2.113	1.623	1.8120-16	2.000	1.562	1.822	1.760

NA designates not available.
All dimensions for reference only.