

LED DISPLAYS

NTE Type Number	Description	Diagram Number	Color	Digit Description	Maximum Forward Current Per Segment (mA)	Maximum Reverse Voltage Per Segment (Volts)	Maximum Power Dissipation (mW)
					I _F	V _R	P _T
3050	0.270 Inch, Seven Segment, Common Anode, LHDP	153	Red		30	10	750
3051	0.270 Inch, Polarity and Overflow, Common Anode	154	Red		30	10	480
3052	0.300 Inch, Seven Segment, Common Anode, RHDP	155a	Red		30	5	700
3053		155a	Orange		20	3	400
3054		155a	Green		20	3	400
3055		155a	Yellow		20	3	400
3056	0.300 Inch, Seven Segment, Common Cathode, RHDP	155b	Red		30	6	480
3057		155c	Red		25	3	700
3058		155b	Orange		20	6	600
3059		155b	Green		20	6	480
3060		155b	Yellow		20	6	600
3061	0.300 Inch, Seven Segment, Common Anode, LHDP	156	Red		30	6	480
3062		156	Orange		20	6	600
3063		156	Green		20	6	480
3064		156	Yellow		20	6	600
3065	0.300 Inch, Polarity and Overflow, Common Anode	157	Red		30	6	300
3068	0.400 Inch, Seven Segment, Common Anode, RHDP	158a	Red		30	6	480
3069	0.400 Inch, Seven Segment, Common Cathode, RHDP	158b	Red		30	6	480
3070	0.400 Inch, Seven Segment, Common Anode, RHDP	158a	Orange		30	6	600
3071	0.400 Inch, Seven Segment, Common Cathode, RHDP	158b	Orange		30	6	600
3074	0.560 Inch, 2 Digit, Common Anode, RHDP	159a	Red		30	6	960
3075	0.560 Inch, 2 Digit, Common Cathode, RHDP	159b	Red		30	6	960
3076	0.560 Inch, Seven Segment, 1 Digit w/Overflow and ±, Common Anode, RHDP	160a	Red		30	6	840
3077	0.560 Inch, Seven Segment, 1 Digit w/Overflow and ±, Common Cathode, RHDP	160b	Red		30	6	840
3078	0.560 Inch, Seven Segment, Common Anode, RHDP	161a	Red		30	6	480
3079	0.560 Inch, Seven Segment, Common Cathode, RHDP	161b	Red		30	6	480
3080	0.800 Inch, Seven Segment, Common Anode, RHDP	162	Red		30	6	600

LHDP - Left Hand Decimal Point

RHDP - Right Hand Decimal Point

See Diagrams, beginning on Page 1-116

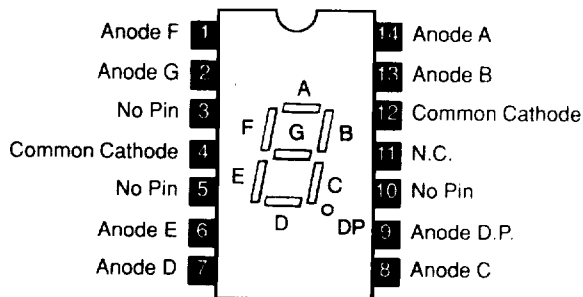
LED DISPLAY OUTLINES

<p style="text-align: center;">NTE3050</p> <p>Cathode A 1 14 Common Anode Cathode F 2 13 Cathode B Common Anode 3 12 No Pin No Pin 4 11 Cathode G No Pin 5 10 Cathode C Cathode D.P. 6 9 Common Anode Cathode E 7 8 Cathode D</p>	<p style="text-align: center;">NTE3051</p> <p>Anode Common C/D 1 14 Anode Common A/B No Pin 2 13 No Pin No Pin 3 12 No Pin No Pin 4 11 Cathode A No Pin 5 10 Cathode B No Pin 6 9 No Pin Cathode D 7 8 Cathode C</p>
<p style="text-align: center;">NTE3052, NTE3053 NTE3054, NTE3055</p> <p>Cathode A 1 14 Common Anode Cathode F 2 13 Cathode B Common Anode 3 12 No Pin No Pin 4 11 Cathode G No Pin 5 10 Cathode C N.C. 6 9 Cathode D.P. Cathode E 7 8 Cathode D</p>	<p style="text-align: center;">NTE3056, NTE3058 NTE3059, NTE3060</p> <p>Anode F 1 14 Anode A Anode G 2 13 Anode B No Pin 3 12 Common Cathode Common Cathode 4 11 No Pin No Pin 5 10 No Pin Anode E 6 9 Anode D.P. Anode D 7 8 Anode C</p>
<p style="text-align: center;">NTE3057</p> <p>No Pin 1 14 No Pin Common Cathode 2 13 Anode A Anode F 3 12 Anode B Anode G 4 11 Anode C Anode E 5 10 Anode D.P. Anode D 6 9 Common Cathode No Pin 7 8 No Pin</p>	<p style="text-align: center;">NTE3061, NTE3062 NTE3063, NTE3064</p> <p>Cathode A 1 14 Common Anode Cathode F 2 13 Cathode B Common Anode 3 12 No Pin No Pin 4 11 Cathode G No Pin 5 10 Cathode C Cathode D.P. 6 9 N.C. Cathode E 7 8 Cathode D</p>
<p style="text-align: center;">NTE3065</p> <p>Anode C, D 1 14 Anode A, B No Pin 2 13 No Pin Anode C, D 3 12 No Pin No Pin 4 11 Cathode A No Pin 5 10 Cathode B No Pin 6 9 N.C. Cathode D 7 8 Cathode C</p>	<p style="text-align: center;">NTE3068, NTE3070</p> <p>Cathode A 1 14 Common Anode Cathode F 2 13 Cathode B Common Anode 3 12 No Pin No Pin 4 11 Cathode G No Pin 5 10 Cathode C N.C. 6 9 Cathode D.P. Cathode E 7 8 Cathode D</p>

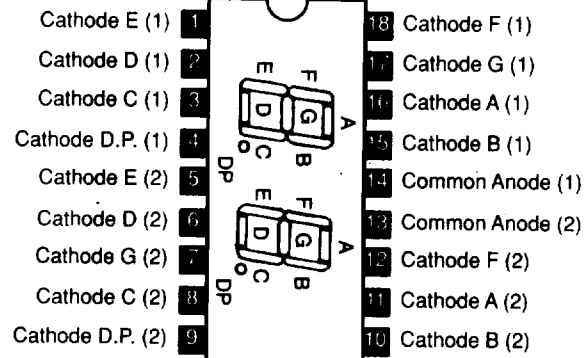
See Diagrams, beginning on Page 1-116

LED DISPLAY OUTLINES

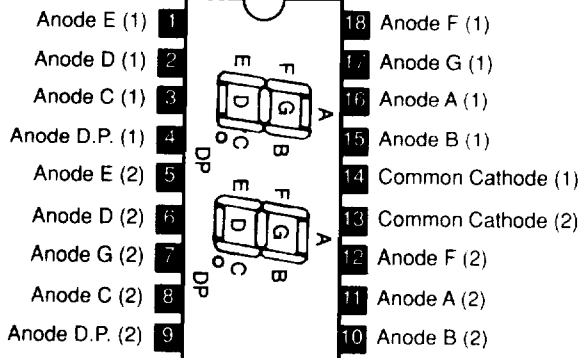
NTE3069, NTE3071



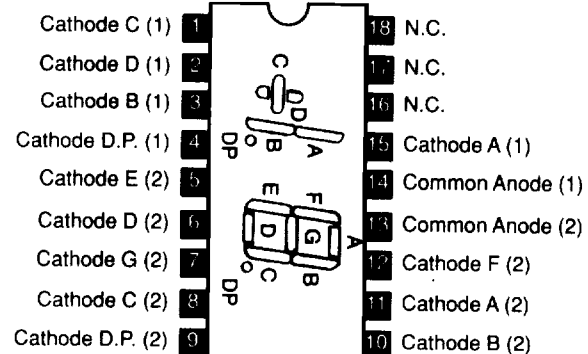
NTE3074



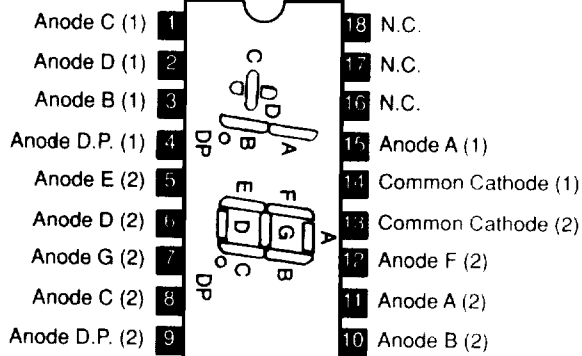
NTE3075



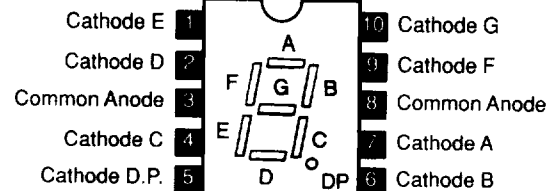
NTE3076



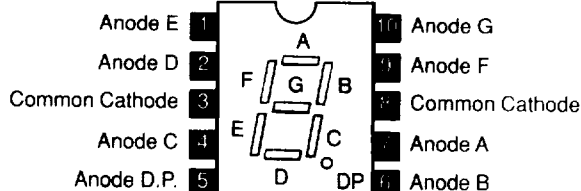
NTE3077



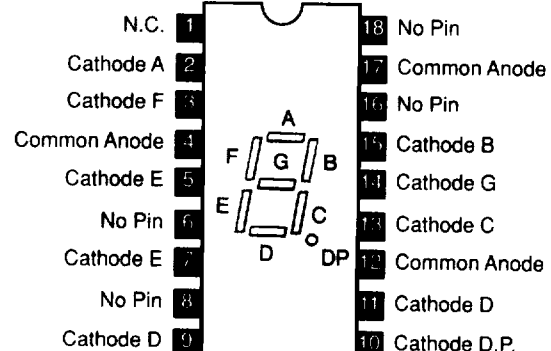
NTE3078



NTE3079



NTE3080



See Diagrams, beginning on Page 1-116