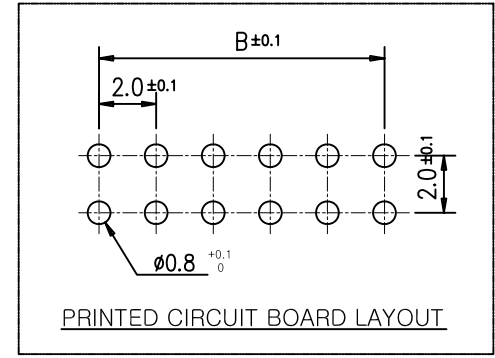
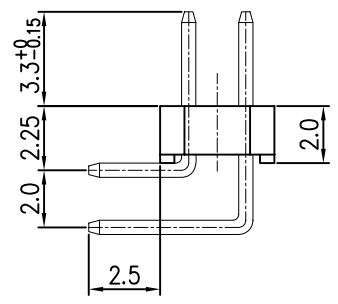
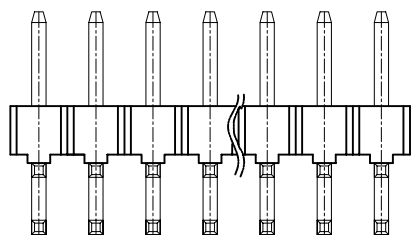
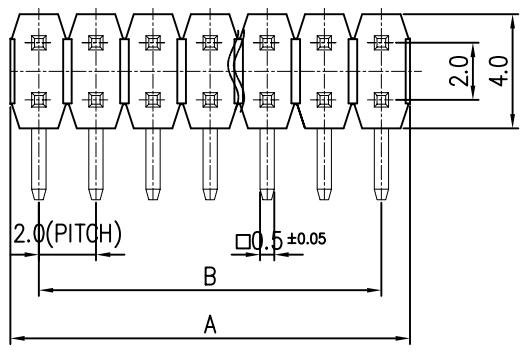


POS.	YH PART NO	A	B
04	20043WR-04A	4.0	2.0
06	20043WR-06A	6.0	4.0
08	20043WR-08A	8.0	6.0
16	20043WR-16A	16.0	14.0
√22	20043WR-22A	22.0	20.0
28	20043WR-28A	28.0	26.0
30	20043WR-30A	30.0	28.0
34	20043WR-34A	34.0	32.0
40	20043WR-40A	40.0	38.0



NOTES  
1. GENERAL TOLERANCE ±0.3

2	PIN	BRASS		AU-PLATED
1	WAFER	PA6T (BK)		UL 94V-0
I/NO	DESCRIPTION	MATERIAL	QTY	REMARK
			TITLE	
			20043WR-NNA	
SCALE	DRAWN	DESIGN	CHECK	APPD
5/1		C. B. H	K. S. N.	
		02.11.08	02.11.08	
SIZE	DWG. NO			REV
A3	20043WR-00AS00			

LTR	REVISION RECORD	DATE	DR	CHK