

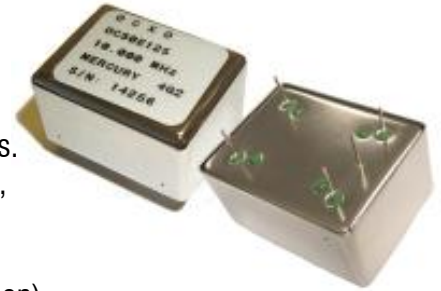
**OCXO (Oven Controlled Crystal Oscillators)
OC30T Series**

**+5.0V; +12V
HCMOS Square Wave**



MERCURY
Since 1973

Mercury OC30T is 36.2x27.2 mm 5 pin solder sealed metal package with 25.4x17.8 mm pin-to-pin spacing high stability low aging OCXO. Besides standard AT cut crystal, users can also choose SC cut crystal for better performance. 50 ohm load sine output is available as OC30E series. For same package size but with standard Eurocase OCXO pin configurations, please refer to OC31T series.



General Specifications (10 MHz at +25°C, at specified Vcc and +2.5 V Vcon)

Output Wave Form		HCMOS square wave. Wave form code is "T"				
Frequency Range		1.25 MHz ~100.0 MHz				
Type of Crystal Cut Used		AT-cut. Use "A" for crystal code or SC-cut: use "S" for crystal code. SC has better performance but higher cost. See technical note TN-031.				
Supply Voltage (Vcc)		+5.0 V _{D.C} ±5% (voltage code is "5"); +12.0 V _{D.C} ±5% (voltage code is "12")				
Initial Calibration Tolerance		±0.5 ppm max. at time of shipment; Vcon = +2.5V, at +25°C				
Frequency Stability vs	Operating Temperature Range (custom spec. on request)	Best Stability	0°C to +60°C	-20°C to +70°C	-40°C to +85°C	
		For AT crystal	±0.03 ppm	±0.08 ppm	±0.2 ppm	
		For SC crystal	±0.01 ppm	±0.02 ppm	±0.03 ppm	
	Aging (after 72 hours of continuous operation)	AT: ±3 ppb max./day; ±0.5 ppm max./first year; ±3 ppm max. over 10 years. SC: ±2 ppb max./day; ±0.1 ppm max./first year; ±0.5 ppm max. over 10 years.				
	Supply Voltage ±5% Variation	±20 ppb max.				
Load ±5% variation:	±20 ppb max.					
Warm-up time (at +25°C)	AT: 3 minutes max. Within ±0.5 ppm of its reference frequency. SC: 1 minute max. Within ±0.1 ppm of its reference frequency.					
Voltage Control on pin 1 (EFC) (Electronics Frequency Tuning)	Freq. Deviation Range	AT: ±5 ppm min. ±20 ppm max.; SC: ±0.5 ppm min, ±2 ppm max.		Referenced to fo at +25°C and over operating temperature range.		
	Control Voltage Range	2.5 V ± 2.0 V				
	Transfer Function	Positive: Increasing control voltage increases output frequency.				
	Input Impedance	100 K ohms min.	EFC Linearity	±10% max.		
Power	Power Dissipation (at +25°C)	1.2 Watts max. at steady-state; 3.5 Watts max. at turn-on.				
Output	Load (Fan out)	15 pF HCMOS max.	Duty Cycle (measured at 50%Vcc)	50% ± 10%		
	Output Voltage Logic High (V_{OH})	+4.5 V min.	Output Voltage Logic Low (V_{OL})	+0.5 max.		
	Rise and Fall Time	5 nS max. (measured at 20% ⇌ 80% of waveform)				
	Reference Voltage Output	+4.0 V _{D.C} ±0.3 V _{D.C} . or custom.				
	Phase Noise	Offset	1 Hz	10 Hz	100 Hz	1 KHz
10 MHz AT-cut XTAL		-75 dBc	-100 dBc	-130 dBc	-140 dBc	-150 dBc
10 MHz SC-cut XTAL		-85 dBc	-120 dBc	-140 dBc	-145 dBc	-150 dBc
Storage Temperature		-55°C to +125°C				
Shock		2000 G's, 0.3 ms ½ sine				
Vibration		10 to 2000 Hz / 10 G's				

MERCURY www.mercury-crystal.com

Taiwan: TEL (886)-2-2406-2779, FAX (886)-2-2496-0769, e-mail: sales-tw@mercury-crystal.com

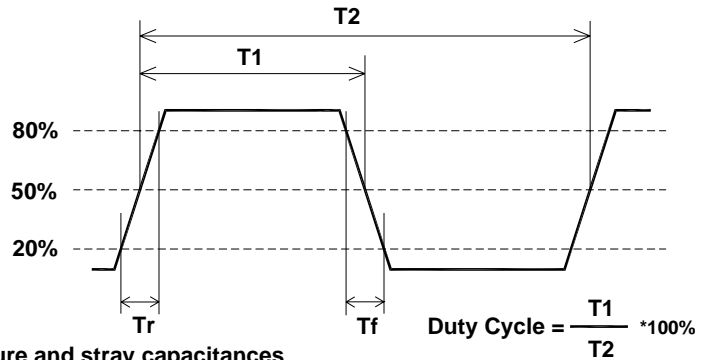
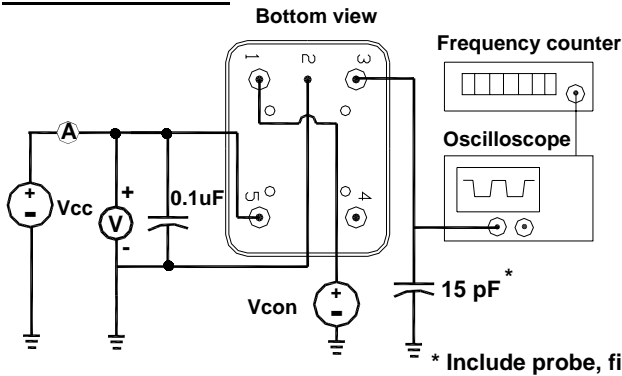
U.S.A.: TEL (1)-909-466-0427, FAX (1)-909-466-0762, e-mail: sales-us@mercury-crystal.com

OCXO (Oven Controlled Crystal Oscillators) +5.0V; +12V
OC30T Series HCMOS Square Wave



MERCURY
Since 1973

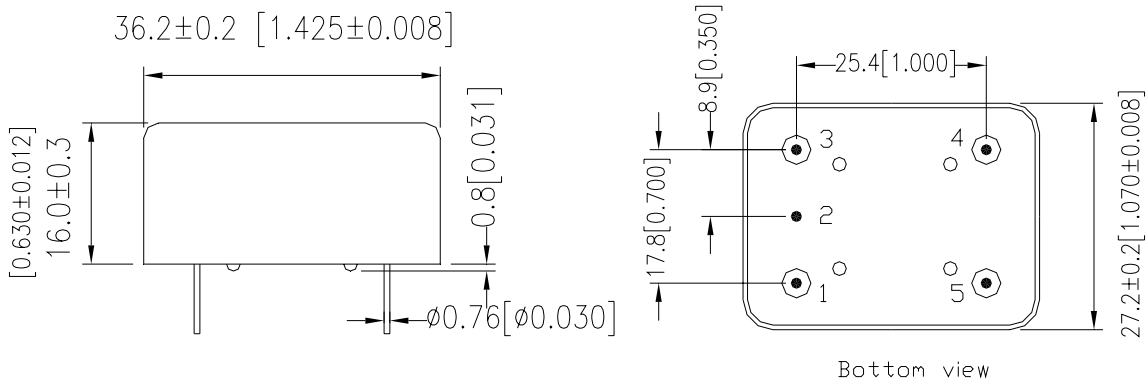
OC30T Test Circuit



OC30T Series Package Dimensions and Pin Connections:

Pin 1: Voltage Control EFC Pin 2: Ground, Case
 Pin 4: Reference Voltage Output Pin 5: Supply Voltage

unit mm
 Pin 3: RF Output



Part Number Format and Example:

Example: OC30T5S-10.000-0.01/-20+70										
OC	30	T	5	S	—	10.000	—	0.01	/	-20+70
①	②	③	④	⑤	dash	⑥	dash	⑦	slash	⑧
<p>①: "OC" Product Prefix for OCXO ②: Package type. "30" for OC30 package ③: Output wave form code. "T" for HCMOS square wave output.. ④: Supply voltage code. "5" for +5.0V; "12" for +12.0V ⑤: Crystal type. Use "A" for AT-cut crystal; Use "S" for SC-cut crystal. ⑥: Frequency in MHz; ⑦: Frequency stability in ppm; ⑧: Operating temperature range: -20°C to +70°C in this case.</p>										