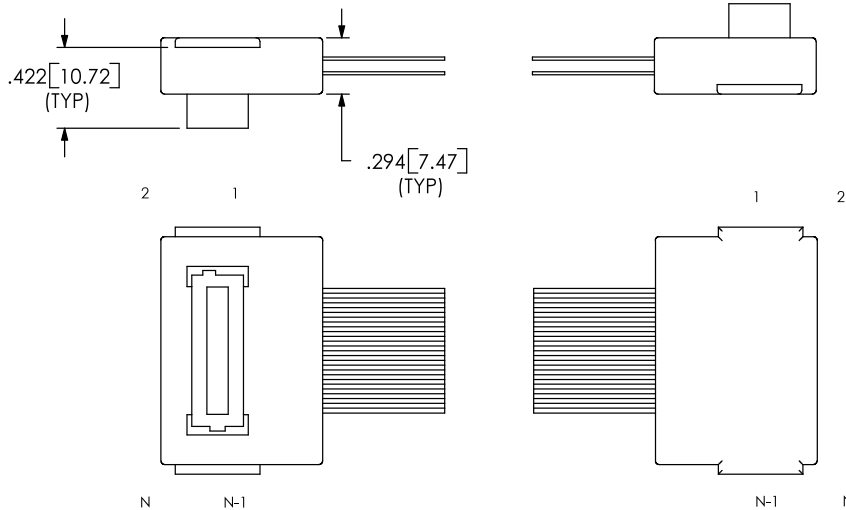
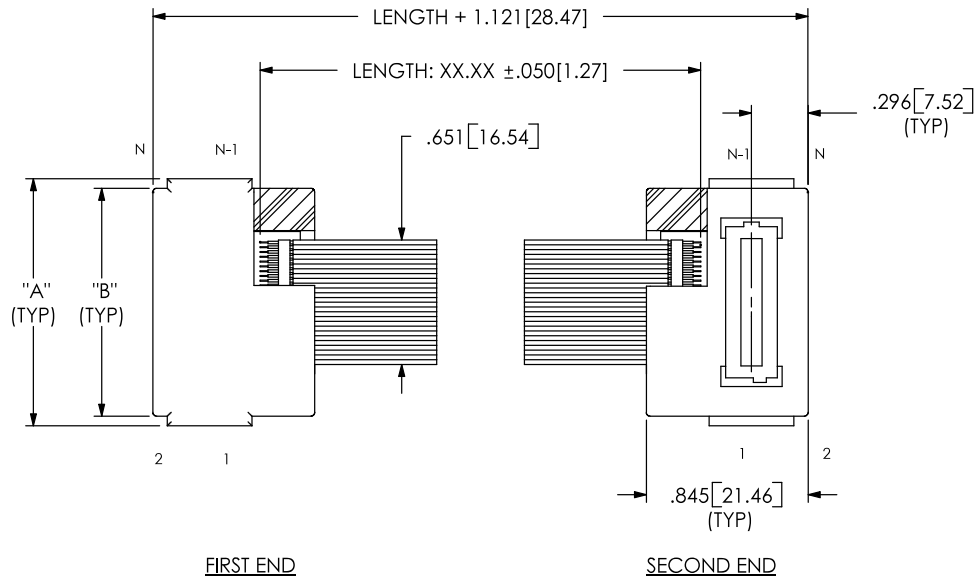


# 6QCDX-XXX-XXXX-SBL-STR-X-X

ALL DIMENSIONS REF  
DO NOT SCALE  
FROM THIS PRINT

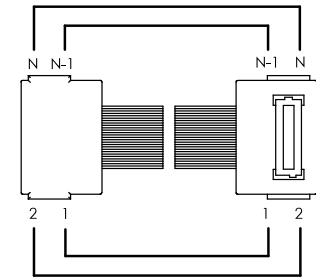


No. OF POSITIONS		"A"		"B"	
6QCDS	6QCD				
* -020	-026	1.290	[32.77]	1.190	[30.23]
* -040	-052	2.130	[54.10]	2.030	[51.56]
* -060	-078	2.970	[75.44]	2.870	[72.90]
* -080	-104	3.810	[96.77]	3.710	[94.23]

\* = NOT TOOLED

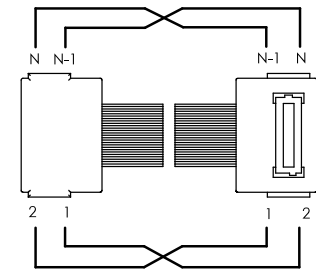
## WIRING OPTION 1

POSITION 1 TO POSITION 1

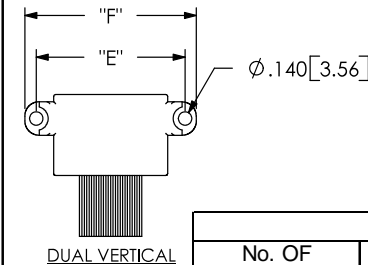


## WIRING OPTION 2

POSITION 1 TO POSITION 2



ONLY APPLICABLE FOR SCREW-DOWN END OPTIONS



No. OF POSITIONS		"E"		"F"	
6QCDS	6QCD				
* -020	-026	1.555	[39.50]	1.790	[45.47]
* -040	-052	2.402	[61.00]	2.630	[66.80]
* -060	-078	3.228	[82.00]	3.470	[88.14]
* -080	-104	4.075	[103.50]	4.310	[109.47]

### PROPRIETARY NOTE

THIS DOCUMENT CONTAINS INFORMATION CONFIDENTIAL AND PROPRIETARY TO SAMTEC, INC. AND SHALL NOT BE REPRODUCED OR TRANSFERRED TO OTHER DOCUMENTS OR DISCLOSED TO OTHERS OR USED FOR ANY PURPOSE OTHER THAN THAT WHICH IT WAS OBTAINED WITHOUT THE EXPRESSED WRITTEN CONSENT OF SAMTEC, INC.

# SAMTEC

520 PARK EAST BLVD, NEW ALBANY, IN 47150  
\* PHONE: 812.944.6733 FAX: 812.948.5047  
e-Mail: INFO@SAMTEC.COM CODE: 55322

SHEET SCALE: 1:1



DESCRIPTION:

QFXX / QFXX CABLE ASSEMBLY

DWG. NO.

6QCDX-XXX-XXXX-SBL-STR-X-X

BY: D FRALEY 08/07/2006

SHEET 1 OF 1