

4M x 16bit CMOS Dynamic RAM with Fast Page Mode

DESCRIPTION

This is a family of 4,194,304 x 16 bit Fast Page Mode CMOS DRAMs. Fast Page Mode offers high speed random access of memory cells within the same row. Refresh cycle(4K Ref. or 8K Ref.), access time (-45, -50 or -60), power consumption(Normal or Low power) are optional features of this family. All of this family have $\overline{\text{CAS}}$ -before- $\overline{\text{RAS}}$ refresh, $\overline{\text{RAS}}$ -only refresh and Hidden refresh capabilities. Furthermore, Self-refresh operation is available in L-version. This 4Mx16 Fast Page Mode DRAM family is fabricated using Samsung's advanced CMOS process to realize high band-width, low power consumption and high reliability.

FEATURES

• **Part Identification**

- K4F661612E-TC/L(3.3V, 8K Ref.)
- K4F641612E-TC/L(3.3V, 4K Ref.)

• **Active Power Dissipation**

Unit : mW

Speed	8K	4K
-45	324	468
-50	288	432
-60	252	396

• **Refresh Cycles**

Part NO.	Refresh cycle	Refresh time	
		Normal	L-ver
K4F661612E*	8K	64ms	128ms
K4F641612E	4K		

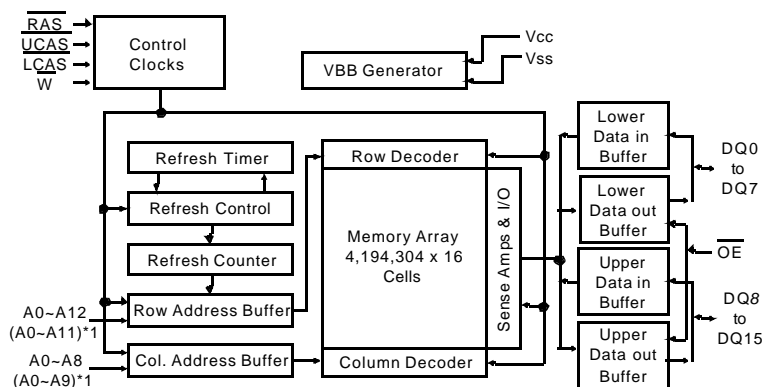
* Access mode & $\overline{\text{RAS}}$ only refresh mode
 : 8K cycle/64ms(Normal), 8K cycle/128ms(L-ver.)
 $\overline{\text{CAS}}$ -before- $\overline{\text{RAS}}$ & Hidden refresh mode
 : 4K cycle/64ms(Normal), 4K cycle/128ms(L-ver.)

• **Performance Range**

Speed	t _{RAC}	t _{CAC}	t _{RC}	t _{PC}
-45	45ns	12ns	80ns	31ns
-50	50ns	13ns	90ns	35ns
-60	60ns	15ns	110ns	40ns

- Fast Page Mode operation
- 2CAS Byte/Word Read/Write operation
- $\overline{\text{CAS}}$ -before- $\overline{\text{RAS}}$ refresh capability
- $\overline{\text{RAS}}$ -only and Hidden refresh capability
- Self-refresh capability (L-ver only)
- Fast parallel test mode capability
- LVTTL(3.3V) compatible inputs and outputs
- Early Write or output enable controlled write
- JEDEC Standard pinout
- Available in Plastic TSOP(II) packages
- +3.3V ±0.3V power supply

FUNCTIONAL BLOCK DIAGRAM

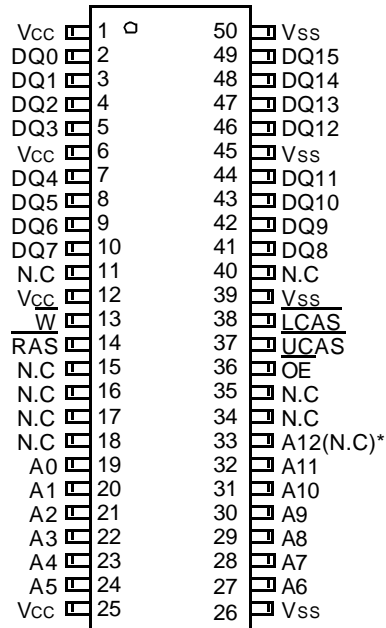


Note) *1 : 4K Refresh

SAMSUNG ELECTRONICS CO., LTD. reserves the right to change products and specifications without notice.

PIN CONFIGURATION (Top Views)

- K4F661612E-T
- K4F641612E-T



(400mil TSOP(II))

*(N.C) : N.C for 4K Refresh Product

Pin Name	Pin function
A0 - A12	Address Inputs(8K Product)
A0 - A11	Address Inputs(4K Product)
DQ0 - 15	Data In/Out
Vss	Ground
\overline{RAS}	Row Address Strobe
\overline{UCAS}	Upper Column Address Strobe
\overline{LCAS}	Lower Column Address Strobe
\overline{W}	Read/Write Input
\overline{OE}	Data Output Enable
Vcc	Power(+3.3V)
N.C	No Connection

ABSOLUTE MAXIMUM RATINGS

Parameter	Symbol	Rating	Units
Voltage on any pin relative to V _{SS}	V _{IN} , V _{OUT}	-0.5 to +4.6	V
Voltage on V _{CC} supply relative to V _{SS}	V _{CC}	-0.5 to +4.6	V
Storage Temperature	T _{stg}	-55 to +150	°C
Power Dissipation	P _D	1	W
Short Circuit Output Current	I _{OS} Address	50	mA

* Permanent device damage may occur if "ABSOLUTE MAXIMUM RATINGS" are exceeded. Functional operation should be restricted to the conditions as detailed in the operational sections of this data sheet. Exposure to absolute maximum rating conditions for extended periods may affect device reliability.

RECOMMENDED OPERATING CONDITIONS (Voltage referenced to V_{SS}, T_A= 0 to 70°C)

Parameter	Symbol	Min	Typ	Max	Units
Supply Voltage	V _{CC}	3.0	3.3	3.6	V
Ground	V _{SS}	0	0	0	V
Input High Voltage	V _{IH}	2.0	-	V _{CC} +0.3 ^{*1}	V
Input Low Voltage	V _{IL}	-0.3 ^{*2}	-	0.8	V

*1 : V_{CC}+1.3V at pulse width ≤15ns which is measured at V_{CC}

*2 : -1.3 at pulse width ≤15ns which is measured at V_{SS}

DC AND OPERATING CHARACTERISTICS (Recommended operating conditions unless otherwise noted.)

Parameter	Symbol	Min	Max	Units
Input Leakage Current (Any input 0≤V _{IN} ≤V _{CC} +0.3V, all other pins not under test=0 Volt)	I _{I(L)}	-5	5	uA
Output Leakage Current (Data out is disabled, 0V≤V _{OUT} ≤V _{CC})	I _{O(L)}	-5	5	uA
Output High Voltage Level(I _{OH} =-2mA)	V _{OH}	2.4	-	V
Output Low Voltage Level(I _{OL} =2mA)	V _{OL}	-	0.4	V



DC AND OPERATING CHARACTERISTICS (Continued)

Symbol	Power	Speed	Max		Units
			K4F661612E	K4F641612E	
I _{CC1}	Don't care	-45	90	130	mA
		-50	80	120	mA
		-60	70	110	mA
I _{CC2}	Normal L	Don't care	1	1	mA
			1	1	mA
I _{CC3}	Don't care	-45	90	130	mA
		-50	80	120	mA
		-60	70	110	mA
I _{CC4}	Don't care	-45	70	70	mA
		-50	60	60	mA
		-60	50	50	mA
I _{CC5}	Normal L	Don't care	0.5	0.5	mA
			200	200	uA
I _{CC6}	Don't care	-45	130	130	mA
		-50	120	120	mA
		-60	110	110	mA
I _{CC7}	L	Don't care	350	350	uA
I _{CC8}	L	Don't care	350	350	uA

I_{CC1}* : Operating Current ($\overline{\text{RAS}}$ and $\overline{\text{UCAS}}$, $\overline{\text{LCAS}}$, Address cycling @t_{RC}=min.)

I_{CC2} : Standby Current ($\overline{\text{RAS}}=\overline{\text{UCAS}}=\overline{\text{LCAS}}=\overline{\text{W}}=V_{IH}$)

I_{CC3}* : $\overline{\text{RAS}}$ -only Refresh Current ($\overline{\text{UCAS}}=\overline{\text{LCAS}}=V_{IH}$, $\overline{\text{RAS}}$, Address cycling @t_{RC}=min.)

I_{CC4}* : Fast Page Mode Current ($\overline{\text{RAS}}=V_{IL}$, $\overline{\text{UCAS}}$ or $\overline{\text{LCAS}}$, Address cycling @t_{PC}=min.)

I_{CC5} : Standby Current ($\overline{\text{RAS}}=\overline{\text{UCAS}}=\overline{\text{LCAS}}=\overline{\text{W}}=V_{CC}-0.2V$)

I_{CC6}* : $\overline{\text{CAS}}$ -Before- $\overline{\text{RAS}}$ Refresh Current ($\overline{\text{RAS}}$ and $\overline{\text{UCAS}}$ or $\overline{\text{LCAS}}$ cycling @t_{RC}=min)

I_{CC7} : Battery back-up current, Average power supply current, Battery back-up mode

Input high voltage(V_{IH})= $V_{CC}-0.2V$, Input low voltage(V_{IL})= $0.2V$, $\overline{\text{UCAS}}$, $\overline{\text{LCAS}}=\overline{\text{CAS}}$ -before- $\overline{\text{RAS}}$ cycling or $0.2V$,
 $\overline{\text{W}}$, $\overline{\text{OE}}=V_{IH}$, Address=Don't care, DQ=Open, T_{RC}=31.25us

I_{CC8} : Self Refresh Current

$\overline{\text{RAS}}=\overline{\text{UCAS}}=\overline{\text{LCAS}}=0.2V$, $\overline{\text{W}}=\overline{\text{OE}}=A_0 \sim A_{12}(A_{11})=V_{CC}-0.2V$ or $0.2V$, DQ0 ~ DQ15= $V_{CC}-0.2V$, $0.2V$ or Open

*Note : I_{CC1}, I_{CC3}, I_{CC4} and I_{CC6} are dependent on output loading and cycle rates. Specified values are obtained with the output open. I_{CC} is specified as an average current. In I_{CC1}, I_{CC3} and I_{CC6}, address can be changed maximum once while $\overline{\text{RAS}}=V_{IL}$. In I_{CC4}, address can be changed maximum once within one fast page mode cycle time, t_{PC}.

K4F661612E, K4F641612E

CMOS DRAM

CAPACITANCE (TA=25°C, VCC=3.3V, f=1MHz)

Parameter	Symbol	Min	Max	Units
Input capacitance [A0 ~ A12]	C _{IN1}	-	5	pF
Input capacitance [$\overline{\text{RAS}}$, $\overline{\text{UCAS}}$, $\overline{\text{LCAS}}$, $\overline{\text{W}}$, $\overline{\text{OE}}$]	C _{IN2}	-	7	pF
Output capacitance [DQ0 - DQ15]	C _{DQ}	-	7	pF

AC CHARACTERISTICS (0°C ≤ TA ≤ 70°C, See note 2)

Test condition : V_{CC}=3.3V±0.3V, V_{IH}/V_{IL}=2.2/0.7V, V_{OH}/V_{OL}=2.0/0.8V

Parameter	Symbol	-45		-50		-60		Units	Note
		Min	Max	Min	Max	Min	Max		
Random read or write cycle time	t _{RC}	80		90		110		ns	
Read-modify-write cycle time	t _{RWC}	115		133		153		ns	
Access time from $\overline{\text{RAS}}$	t _{RAC}		45		50		60	ns	3,4,10
Access time from $\overline{\text{CAS}}$	t _{CAC}		12		13		15	ns	3,4,5
Access time from column address	t _{AA}		23		25		30	ns	3,10
$\overline{\text{CAS}}$ to output in Low-Z	t _{CLZ}	0		0		0		ns	3
Output buffer turn-off delay	t _{OFF}	0	13	0	13	0	13	ns	6
Transition time (rise and fall)	t _T	1	50	1	50	1	50	ns	2
$\overline{\text{RAS}}$ precharge time	t _{RP}	25		30		40		ns	
$\overline{\text{RAS}}$ pulse width	t _{RAS}	45	10K	50	10K	60	10K	ns	
$\overline{\text{RAS}}$ hold time	t _{RSH}	12		13		15		ns	
$\overline{\text{CAS}}$ hold time	t _{CSH}	45		50		60		ns	
$\overline{\text{CAS}}$ pulse width	t _{CAS}	12	10K	13	10K	15	10K	ns	
$\overline{\text{RAS}}$ to $\overline{\text{CAS}}$ delay time	t _{RCD}	18	33	20	37	20	45	ns	4
$\overline{\text{RAS}}$ to column address delay time	t _{RAD}	13	22	15	25	15	30	ns	10
$\overline{\text{CAS}}$ to $\overline{\text{RAS}}$ precharge time	t _{CRP}	5		5		5		ns	
Row address set-up time	t _{ASR}	0		0		0		ns	
Row address hold time	t _{RAH}	8		10		10		ns	
Column address set-up time	t _{ASC}	0		0		0		ns	13
Column address hold time	t _{CAH}	8		10		10		ns	13
Column address to $\overline{\text{RAS}}$ lead time	t _{RAL}	23		25		30		ns	
Read command set-up time	t _{RCS}	0		0		0		ns	
Read command hold time referenced to $\overline{\text{CAS}}$	t _{RCH}	0		0		0		ns	8
Read command hold time referenced to $\overline{\text{RAS}}$	t _{RRH}	0		0		0		ns	8
Write command hold time	t _{WCH}	8		10		10		ns	
Write command pulse width	t _{WP}	8		10		10		ns	
Write command to $\overline{\text{RAS}}$ lead time	t _{RWL}	13		15		15		ns	
Write command to $\overline{\text{CAS}}$ lead time	t _{CWL}	12		13		15		ns	16
Data set-up time	t _{DS}	0		0		0		ns	9,19
Data hold time	t _{DH}	10		10		10		ns	9,19

AC CHARACTERISTICS (Continued)

Parameter	Symbol	-45		-50		-60		Units	Note
		Min	Max	Min	Max	Min	Max		
Refresh period (Normal)	t _{REF}		64		64		64	ms	
Refresh period (L-ver)	t _{REF}		128		128		128	ms	
Write command set-up time	t _{WCS}	0		0		0		ns	7
$\overline{\text{CAS}}$ to $\overline{\text{W}}$ delay time	t _{CWD}	32		36		38		ns	7,15
$\overline{\text{RAS}}$ to $\overline{\text{W}}$ delay time	t _{RWD}	67		73		83		ns	7
Column address to $\overline{\text{W}}$ delay time	t _{AWD}	43		48		53		ns	7
$\overline{\text{CAS}}$ precharge $\overline{\text{W}}$ delay time	t _{CPWD}	48		53		60		ns	
$\overline{\text{CAS}}$ set-up time ($\overline{\text{CAS}}$ -before- $\overline{\text{RAS}}$ refresh)	t _{CSR}	5		5		5		ns	17
$\overline{\text{CAS}}$ hold time ($\overline{\text{CAS}}$ -before- $\overline{\text{RAS}}$ refresh)	t _{CHR}	10		10		10		ns	18
$\overline{\text{RAS}}$ to $\overline{\text{CAS}}$ precharge time	t _{RPC}	5		5		5		ns	
Access time from $\overline{\text{CAS}}$ precharge	t _{CPA}		26		30		35	ns	3
Fast Page mode cycle time	t _{PC}	31		35		40		ns	
Fast Page mode read-modify-write cycle time	t _{PRWC}	70		76		85		ns	
$\overline{\text{CAS}}$ precharge time (Fast page cycle)	t _{CP}	9		10		10		ns	14
$\overline{\text{RAS}}$ pulse width (Fast page cycle)	t _{RASP}	45	200K	50	200	60	200	ns	
$\overline{\text{RAS}}$ hold time from $\overline{\text{CAS}}$ precharge	t _{RHCP}	28		30		35		ns	
$\overline{\text{OE}}$ access time	t _{OEA}		12		13		15	ns	3
$\overline{\text{OE}}$ to data delay	t _{OED}	12		13		13		ns	
Output buffer turn off delay time from $\overline{\text{OE}}$	t _{OEZ}	0	13	0	13	0	13	ns	6
$\overline{\text{OE}}$ command hold time	t _{OEH}	12		13		15		ns	
Write command set-up time (Test mode in)	t _{WTS}	10		10		10		ns	11
Write command hold time (Test mode in)	t _{WTH}	15		15		15		ns	11
$\overline{\text{W}}$ to $\overline{\text{RAS}}$ precharge time (C-B-R refresh)	t _{WRP}	10		10		10		ns	
$\overline{\text{W}}$ to $\overline{\text{RAS}}$ hold time (C-B-R refresh)	t _{WRH}	10		10		10		ns	
$\overline{\text{RAS}}$ pulse width (C-B-R self refresh)	t _{RASS}	100		100		100		us	20,21,22
$\overline{\text{RAS}}$ precharge time (C-B-R self refresh)	t _{RPS}	80		90		110		ns	20,21,22
$\overline{\text{CAS}}$ hold time (C-B-R self refresh)	t _{CHS}	-50		-50		-50		ns	20,21,22

TEST MODE CYCLE

(Note 11)

Parameter	Symbol	-45		-50		-60		Units	Note
		Min	Max	Min	Max	Min	Max		
Random read or write cycle time	t _{RC}	85		95		115		ns	
Read-modify-write cycle time	t _{RWC}	120		138		160		ns	
Access time from $\overline{\text{RAS}}$	t _{RAC}		50		55		65	ns	3,4,10,12
Access time from $\overline{\text{CAS}}$	t _{CAC}		17		18		20	ns	3,4,5,12
Access time from column address	t _{AA}		28		30		35	ns	3,10,12
$\overline{\text{RAS}}$ pulse width	t _{RAS}	50	10K	55	10K	65	10K	ns	
$\overline{\text{CAS}}$ pulse width	t _{CAS}	17	10K	18	10K	20	10K	ns	
$\overline{\text{RAS}}$ hold time	t _{RSH}	17		18		20		ns	
$\overline{\text{CAS}}$ hold time	t _{CSH}	50		55		65		ns	
Column Address to $\overline{\text{RAS}}$ lead time	t _{RAL}	28		30		35		ns	
$\overline{\text{CAS}}$ to $\overline{\text{W}}$ delay time	t _{CWD}	37		41		43		ns	7
$\overline{\text{RAS}}$ to $\overline{\text{W}}$ delay time	t _{RWD}	72		78		88		ns	7
Column Address to $\overline{\text{W}}$ delay time	t _{AWD}	48		53		58		ns	7
Fast Page mode cycle time	t _{PC}	36		40		45		ns	
Fast Page mode read-modify-write cycle time	t _{PRWC}	75		81		90		ns	
$\overline{\text{RAS}}$ pulse width (Fast page cycle)	t _{RASP}	50	200K	55	200K	65	200K	ns	
Access time from $\overline{\text{CAS}}$ precharge	t _{CPA}		31		35		40	ns	3
$\overline{\text{OE}}$ access time	t _{OE A}		17		18		20	ns	
$\overline{\text{OE}}$ to data delay	t _{OE D}	17		18		18		ns	
$\overline{\text{OE}}$ command hold time	t _{OE H}	17		18		20		ns	

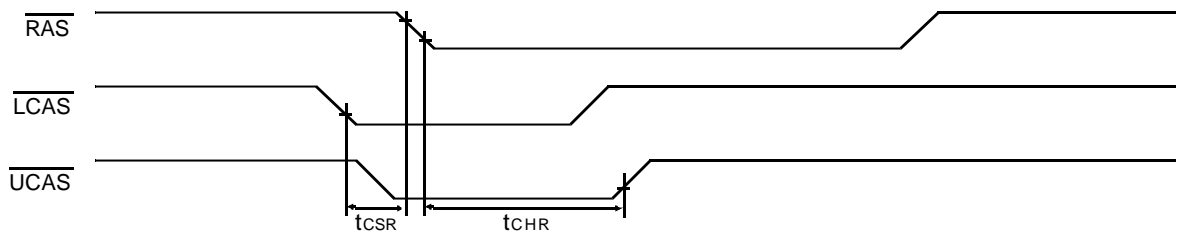
NOTES

1. An initial pause of 200 μ s is required after power-up followed by any 8 ROR or CBR cycles before proper device operation is achieved.
2. $V_{IH}(\min)$ and $V_{IL}(\max)$ are reference levels for measuring timing of input signals. Transition times are measured between $V_{IH}(\min)$ and $V_{IL}(\max)$ and are assumed to be 5ns for all inputs.
3. Measured with a load equivalent to 1 TTL load and 100pF.
4. Operation within the $t_{RCD}(\max)$ limit insures that $t_{RAC}(\max)$ can be met. $t_{RCD}(\max)$ is specified as a reference point only. If t_{RCD} is greater than the specified $t_{RCD}(\max)$ limit, then access time is controlled exclusively by t_{CAC} .
5. Assumes that $t_{RCD} \geq t_{RCD}(\max)$.
6. $t_{OFF}(\min)$ and $t_{OEZ}(\max)$ define the time at which the output achieves the open circuit condition and are not referenced V_{OH} or V_{OL} .
7. t_{WCS} , t_{RWD} , t_{CWD} and t_{AWD} are non restrictive operating parameters. They are included in the data sheet as electric characteristics only. If $t_{WCS} \geq t_{WCS}(\min)$, the cycle is an early write cycle and the data output will remain high impedance for the duration of the cycle. If $t_{CWD} \geq t_{CWD}(\min)$, $t_{RWD} \geq t_{RWD}(\min)$ and $t_{AWD} \geq t_{AWD}(\min)$, then the cycle is a read-modify-write cycle and the data output will contain the data read from the selected address. If neither of the above conditions is satisfied, the condition of the data out is indeterminate.
8. Either t_{RCH} or t_{RRH} must be satisfied for a read cycle.
9. These parameters are referenced to the \overline{CAS} leading edge in early write cycles and to the \overline{W} falling edge in read-modify-write cycles.
10. Operation within the $t_{RAD}(\max)$ limit insures that $t_{RAC}(\max)$ can be met. $t_{RAD}(\max)$ is specified as a reference point only. If t_{RAD} is greater than the specified $t_{RAD}(\max)$ limit, then access time is controlled by t_{AA} .
11. These specifications are applied in the test mode.
12. In test mode read cycle, the value of t_{RAC} , t_{AA} , t_{CAC} is delayed by 2ns to 5ns for the specified values. These parameters should be specified in test mode cycles by adding the above value to the specified value in this data sheet.

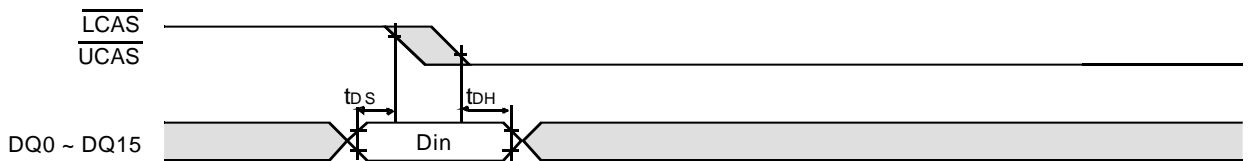
K4F64(6)1612E Truth Table

\overline{RAS}	\overline{LCAS}	\overline{UCAS}	\overline{W}	\overline{OE}	DQ0 - DQ7	DQ8-DQ15	STATE
H	X	X	X	X	Hi-Z	Hi-Z	Standby
L	H	H	X	X	Hi-Z	Hi-Z	Refresh
L	L	H	H	L	DQ-OUT	Hi-Z	Byte Read
L	H	L	H	L	Hi-Z	DQ-OUT	Byte Read
L	L	L	H	L	DQ-OUT	DQ-OUT	Word Read
L	L	H	L	H	DQ-IN	-	Byte Write
L	H	L	L	H	-	DQ-IN	Byte Write
L	L	L	L	H	DQ-IN	DQ-IN	Word Write
L	L	L	H	H	Hi-Z	Hi-Z	-

- 13. t_{ASC} , t_{CAH} are referenced to the earlier \overline{CAS} falling edge.
- 14. t_{CP} is specified from the last \overline{CAS} rising edge in the previous cycle to the first \overline{CAS} falling edge in the next cycle.
- 15. t_{CWD} is referenced to the later \overline{CAS} falling edge at word read-modify-write cycle.
- 16. t_{CWL} is specified from \overline{W} falling edge to the earlier \overline{CAS} rising edge.
- 17. t_{CSR} is referenced to earlier \overline{CAS} falling before \overline{RAS} transition low.
- 18. t_{CHR} is referenced to the later \overline{CAS} rising high after \overline{RAS} transition low.

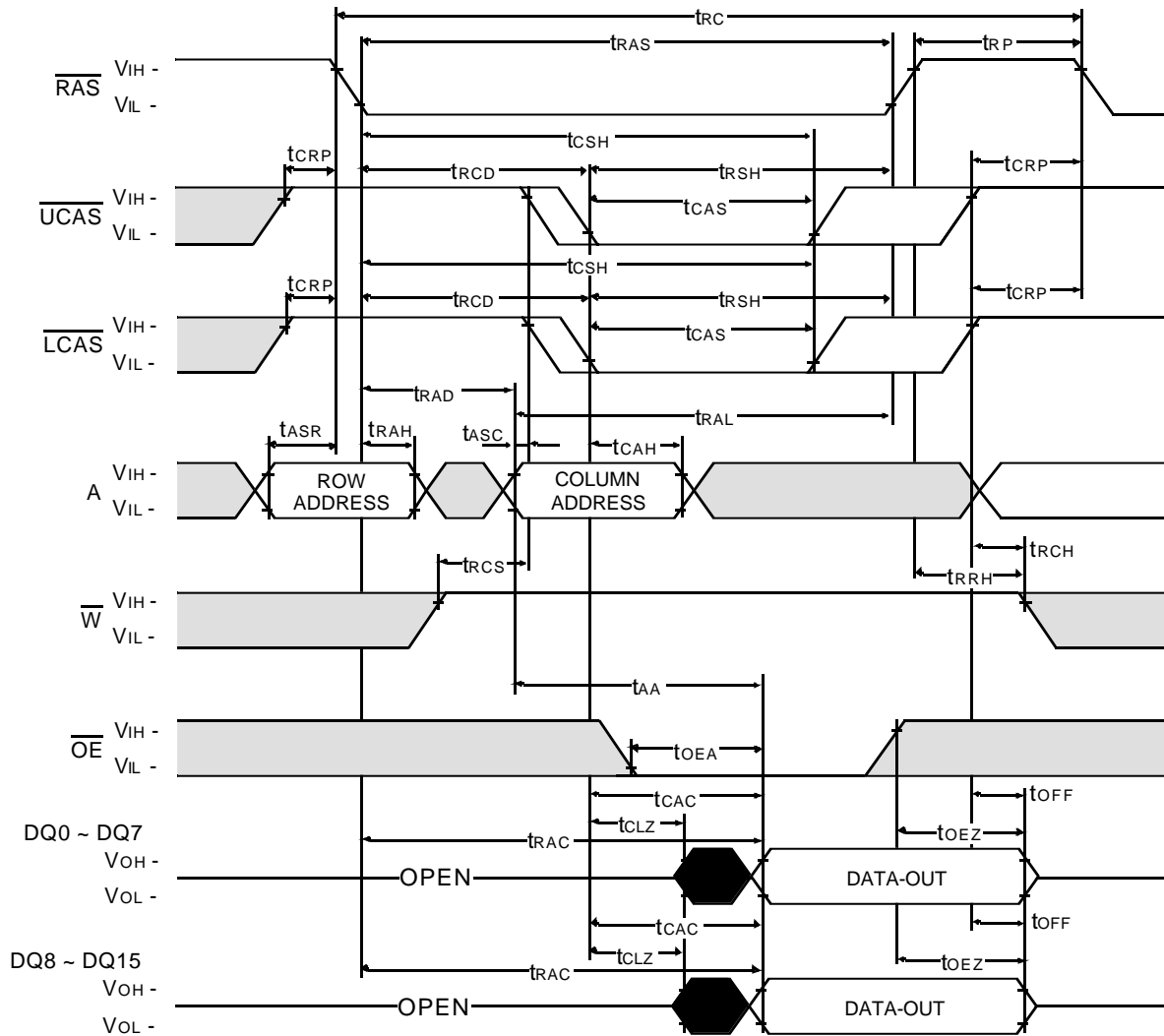


- 19. t_{DS} is specified for the earlier \overline{CAS} falling edge and t_{DH} is specified by the later \overline{CAS} falling edge.



- 20. If $t_{RAS} \geq 100\mu s$, then \overline{RAS} precharge time must use t_{RPS} instead of t_{RP} .
- 21. For \overline{RAS} -only-Refresh and Burst \overline{CAS} -before- \overline{RAS} refresh mode, 4096 cycles(4K/8K) of burst refresh must be executed within 64ms before and after self refresh, in order to meet refresh specification.
- 22. For distributed \overline{CAS} -before- \overline{RAS} with 15.6 μs interval, CBR refresh should be executed with in 15.6 μs immediately before and after self refresh in order to meet refresh specification.

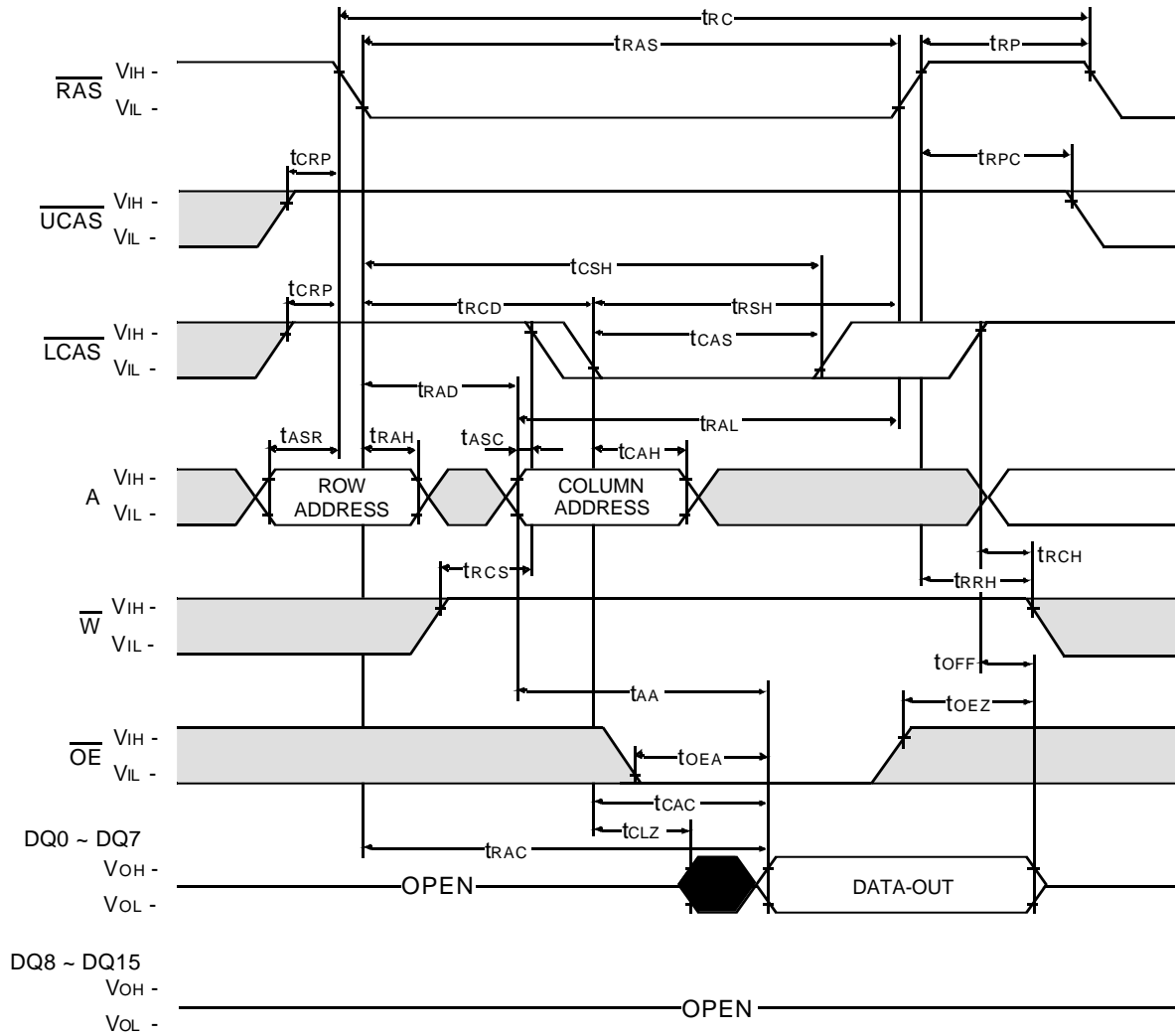
WORD READ CYCLE



Don't care
 Undefined

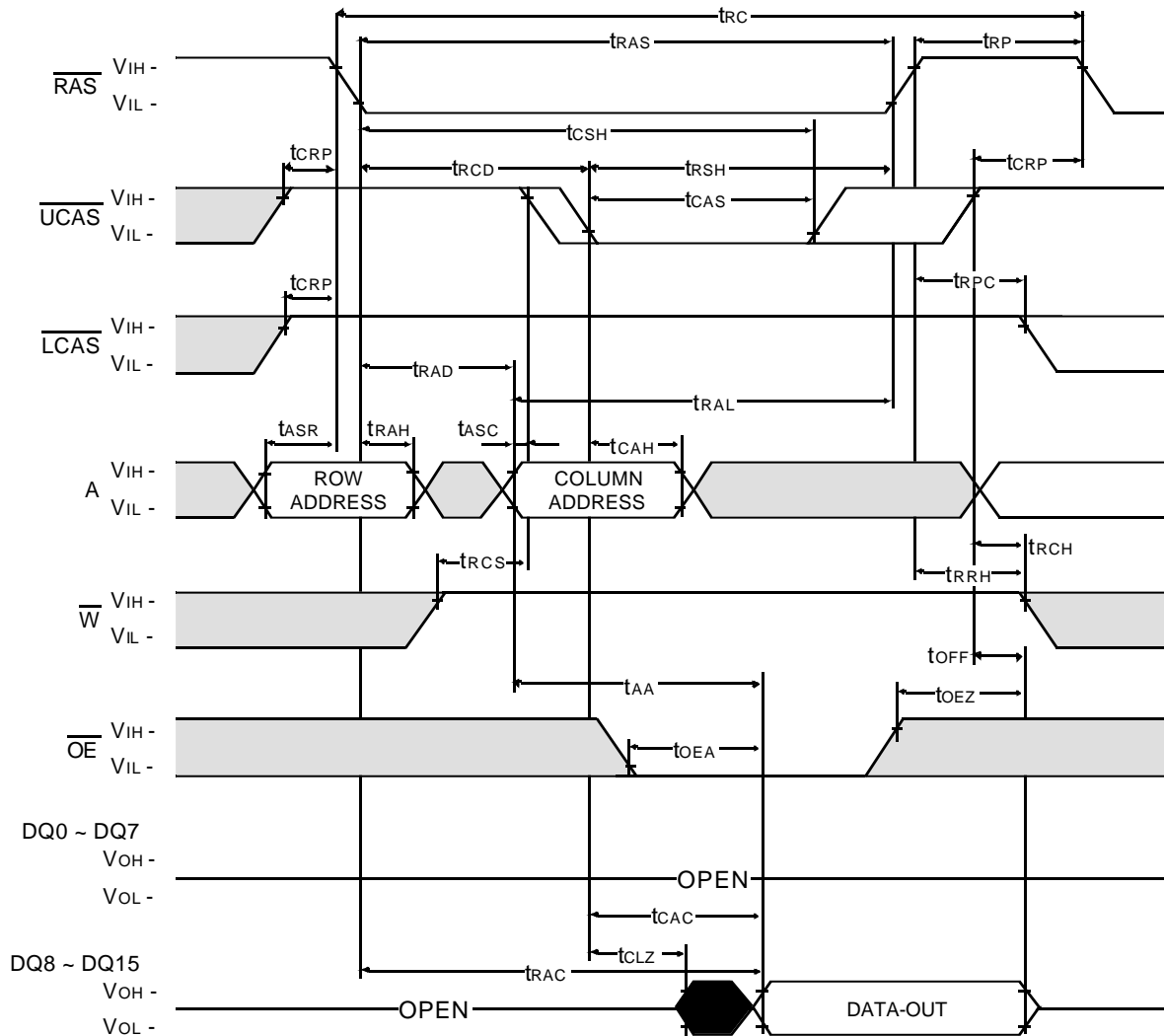
LOWER BYTE READ CYCLE

NOTE : DIN = OPEN



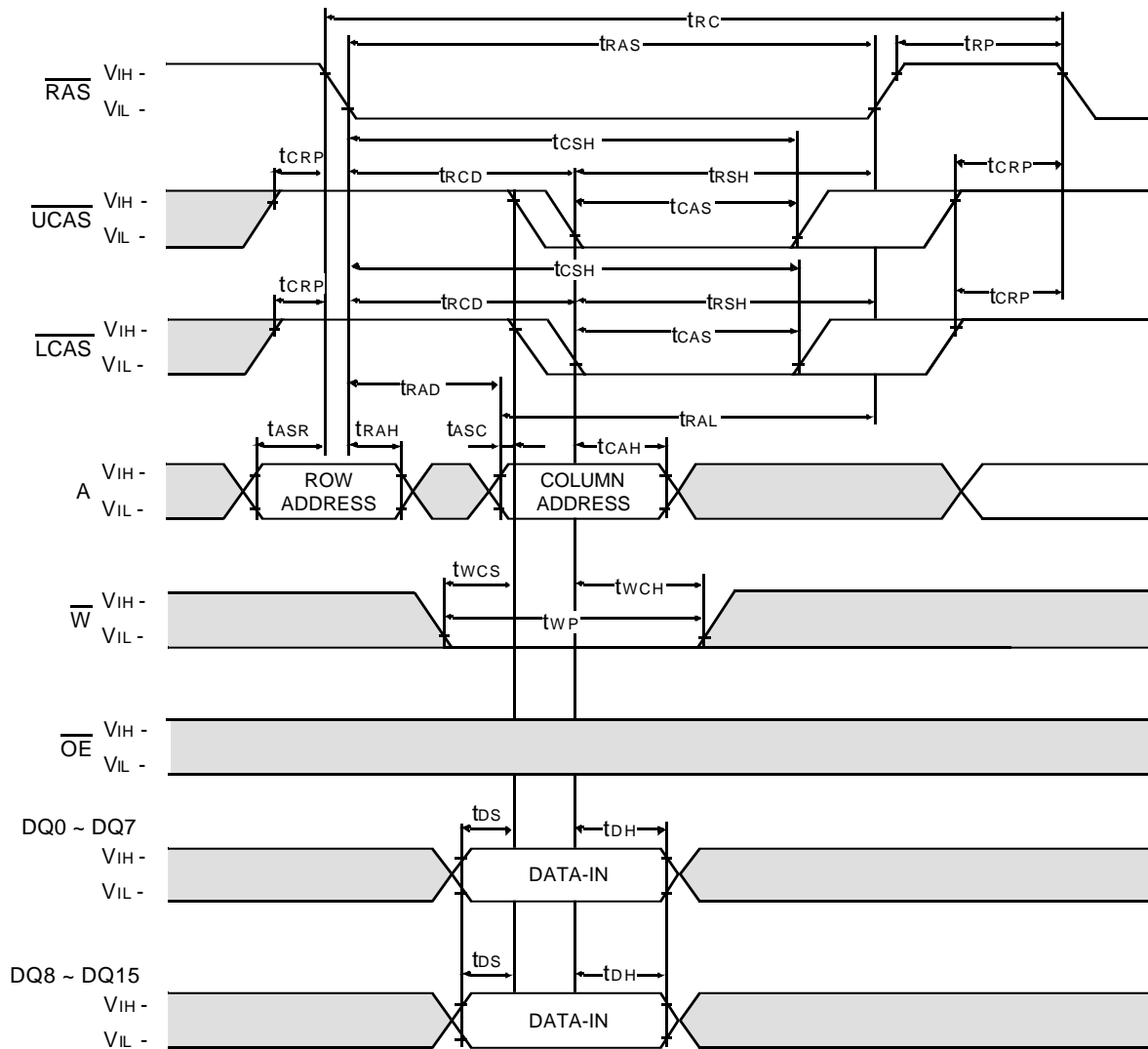
UPPER BYTE READ CYCLE

NOTE : DIN = OPEN



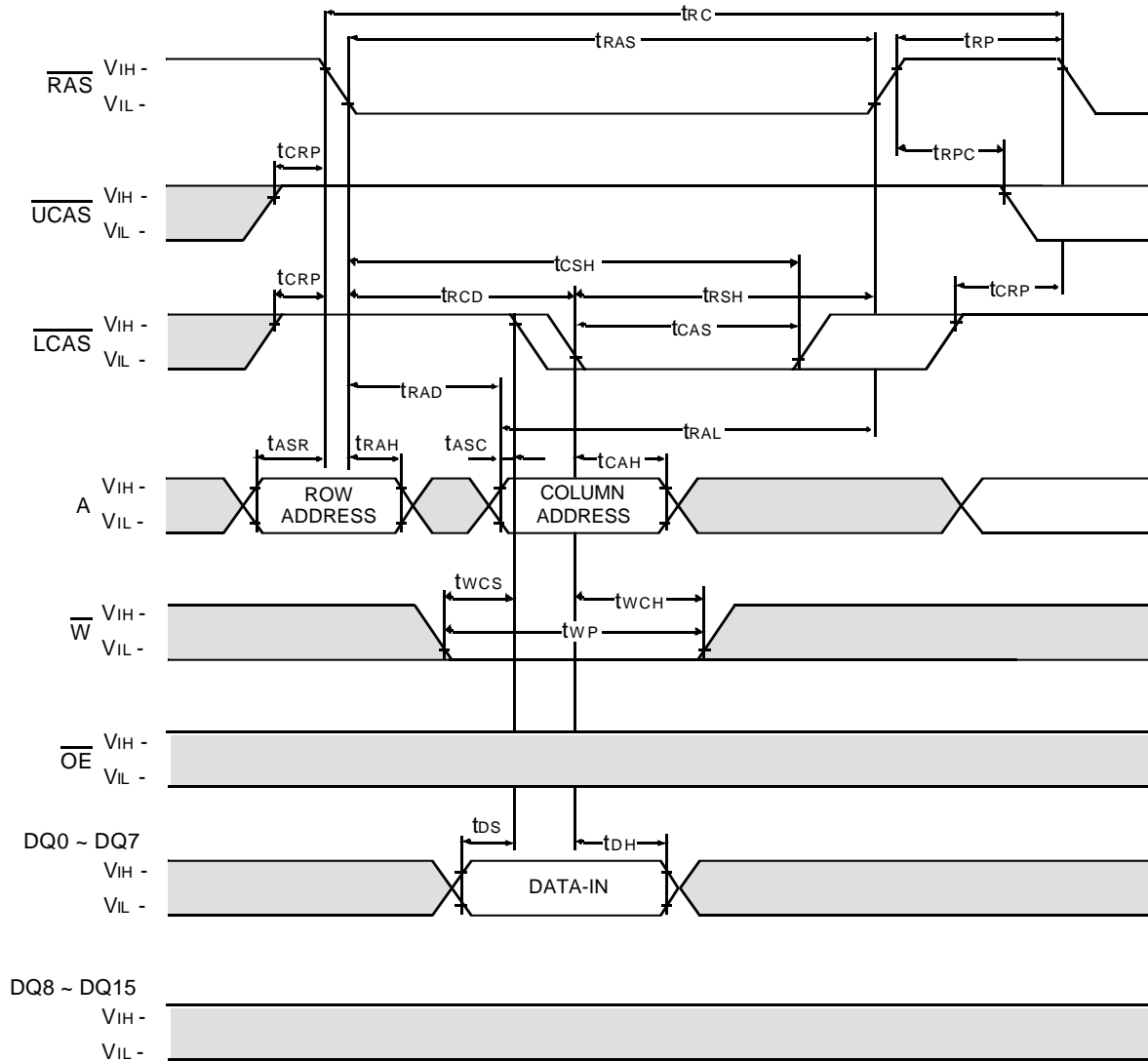
WORD WRITE CYCLE (EARLY WRITE)

NOTE : DOUT = OPEN



LOWER BYTE WRITE CYCLE (EARLY WRITE)

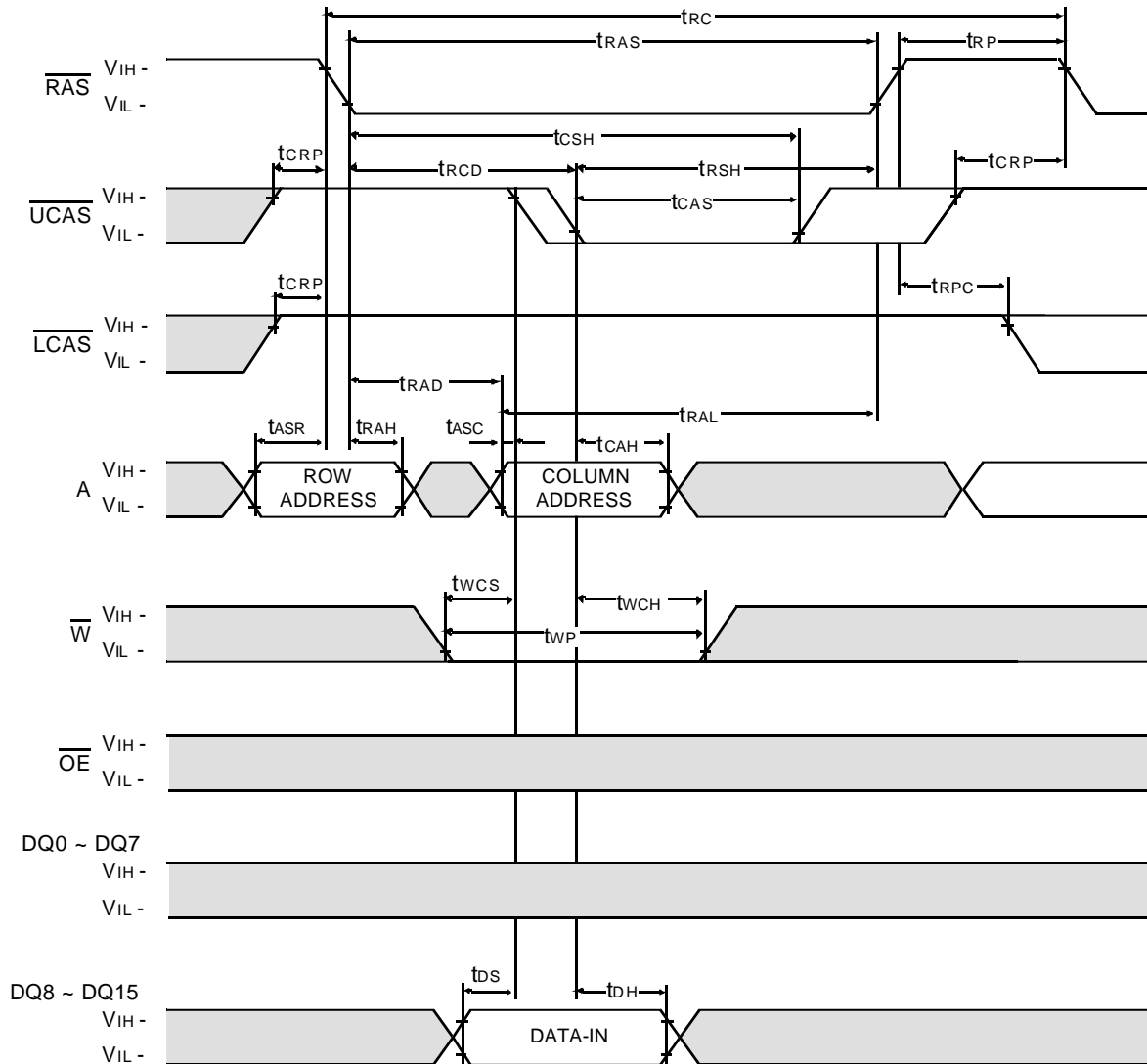
NOTE : DOUT = OPEN



Don't care
 Undefined

UPPER BYTE WRITE CYCLE (EARLY WRITE)

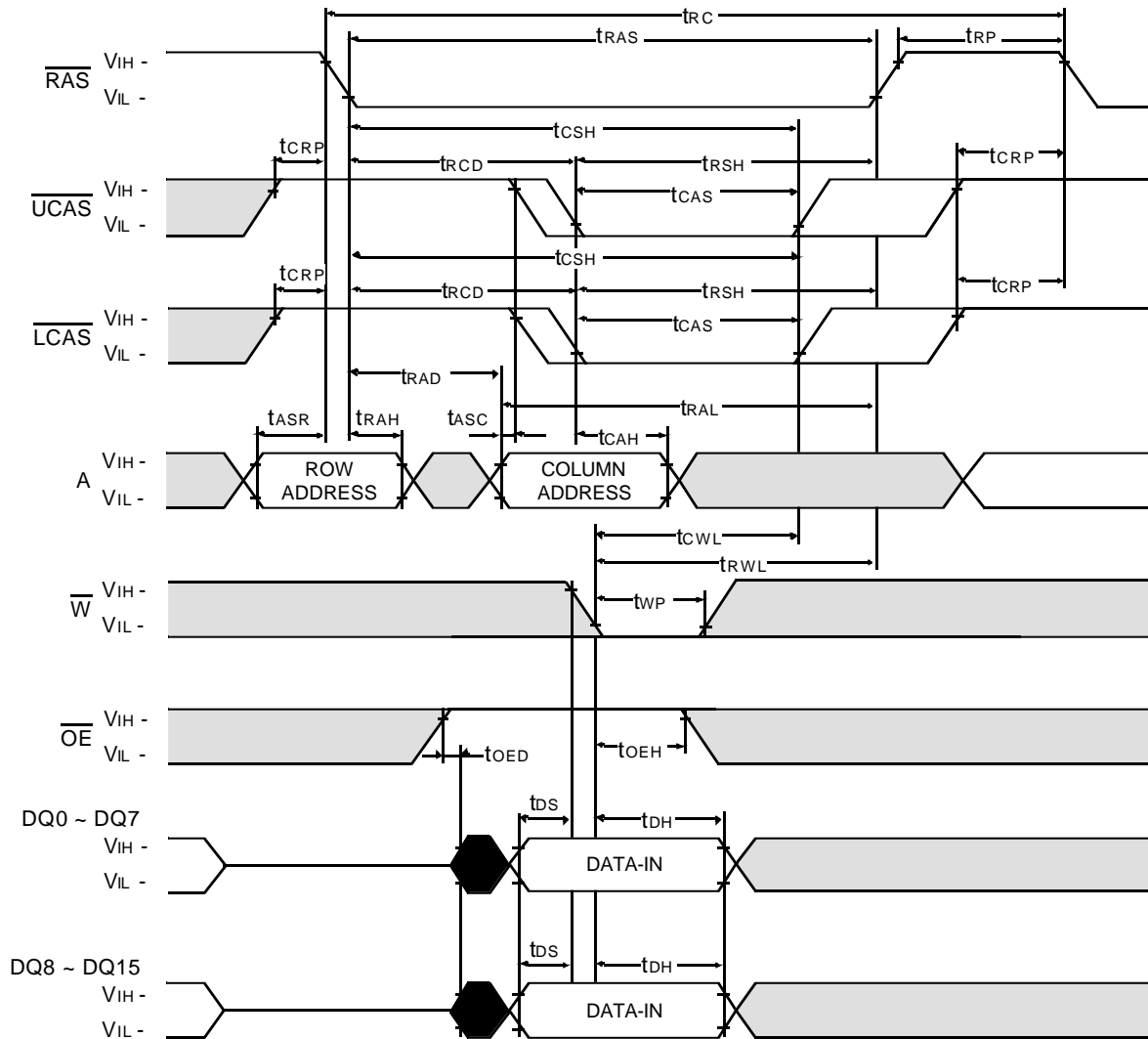
NOTE : DOUT = OPEN



Don't care
 Undefined

WORD WRITE CYCLE ($\overline{\text{OE}}$ CONTROLLED WRITE)

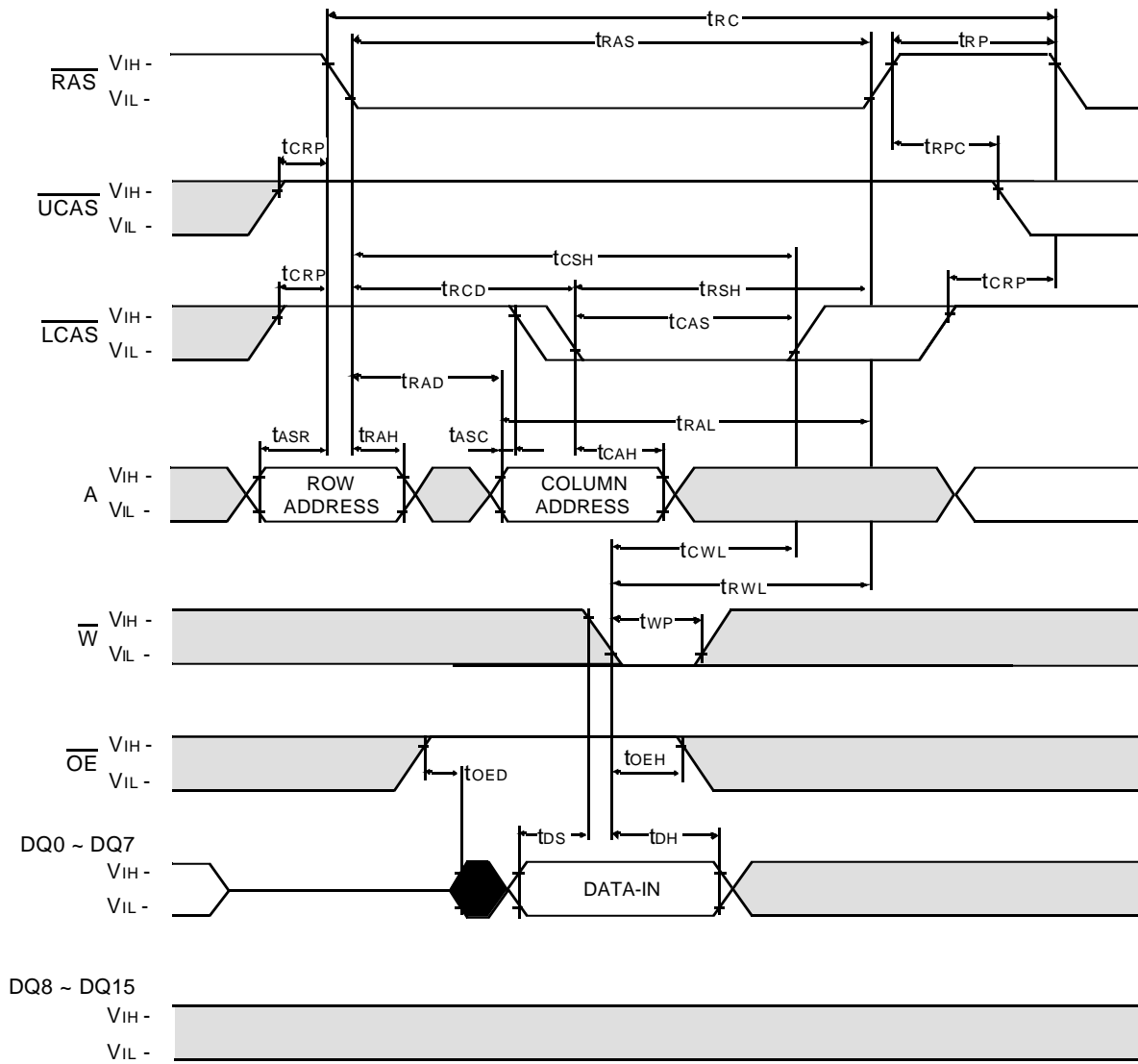
NOTE : DOUT = OPEN



Don't care
 Undefined

LOWER BYTE WRITE CYCLE ($\overline{\text{OE}}$ CONTROLLED WRITE)

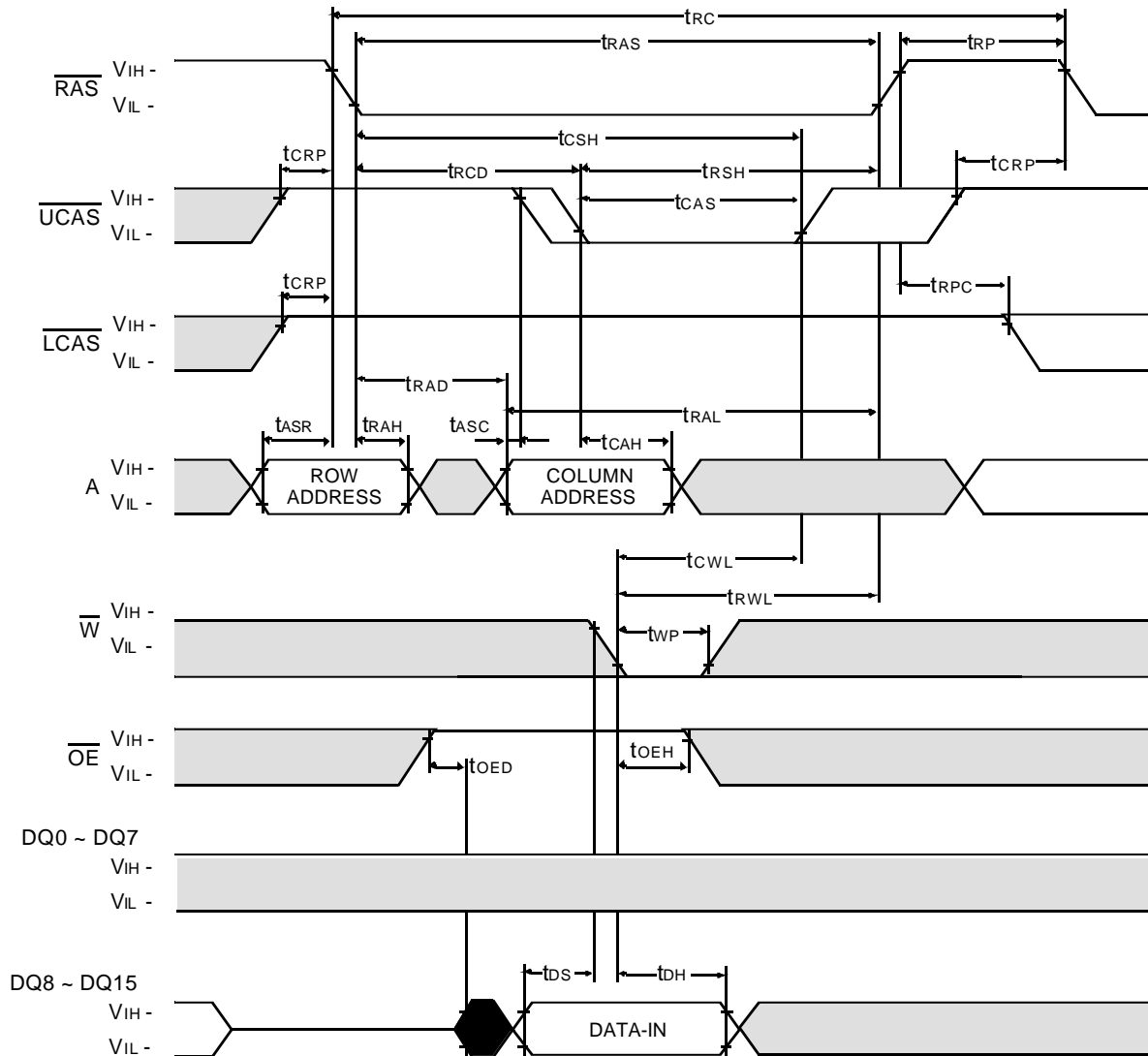
NOTE : DOUT = OPEN



Don't care
 Undefined

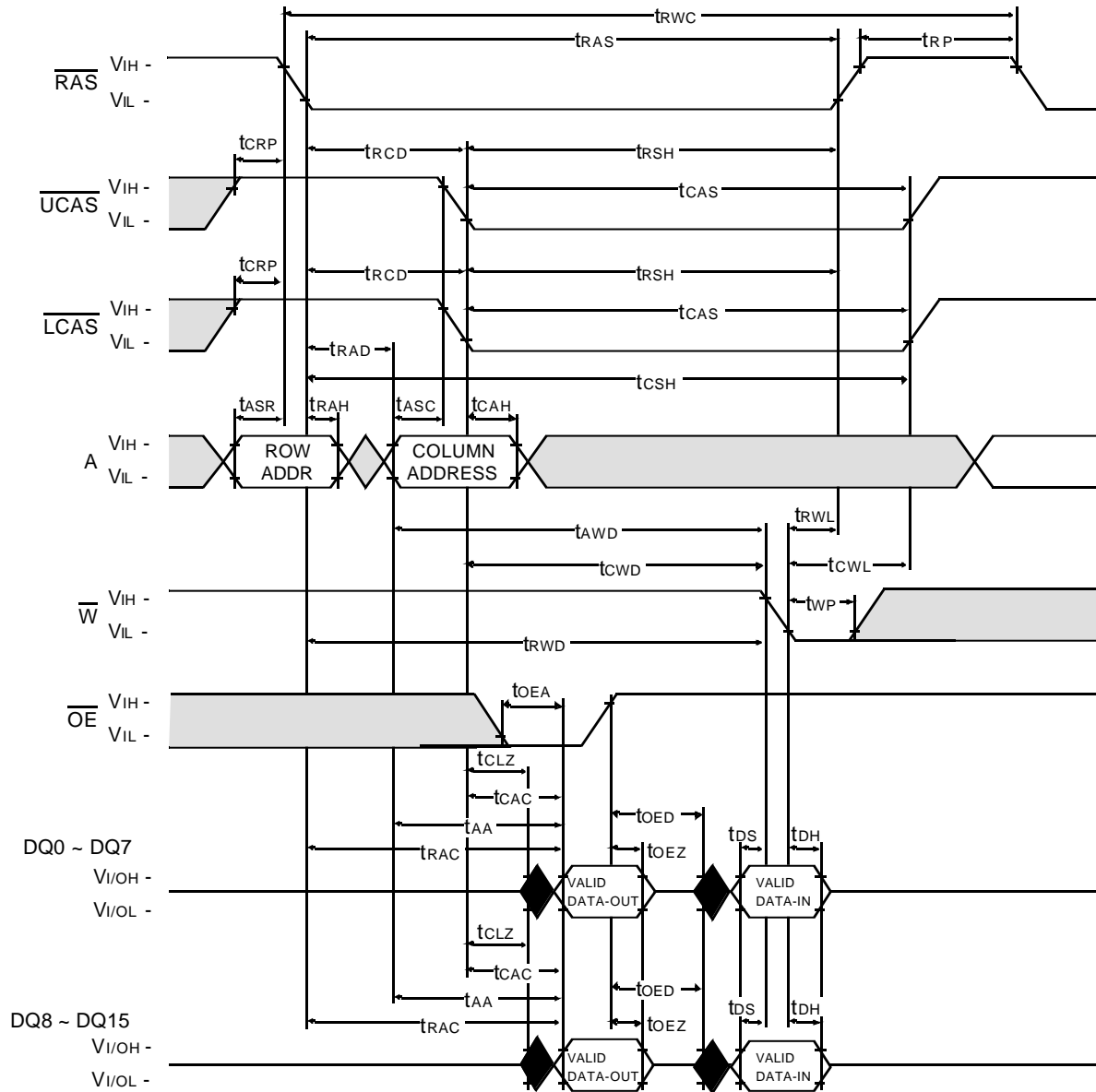
UPPER BYTE WRITE CYCLE (\overline{OE} CONTROLLED WRITE)

NOTE : DOUT = OPEN



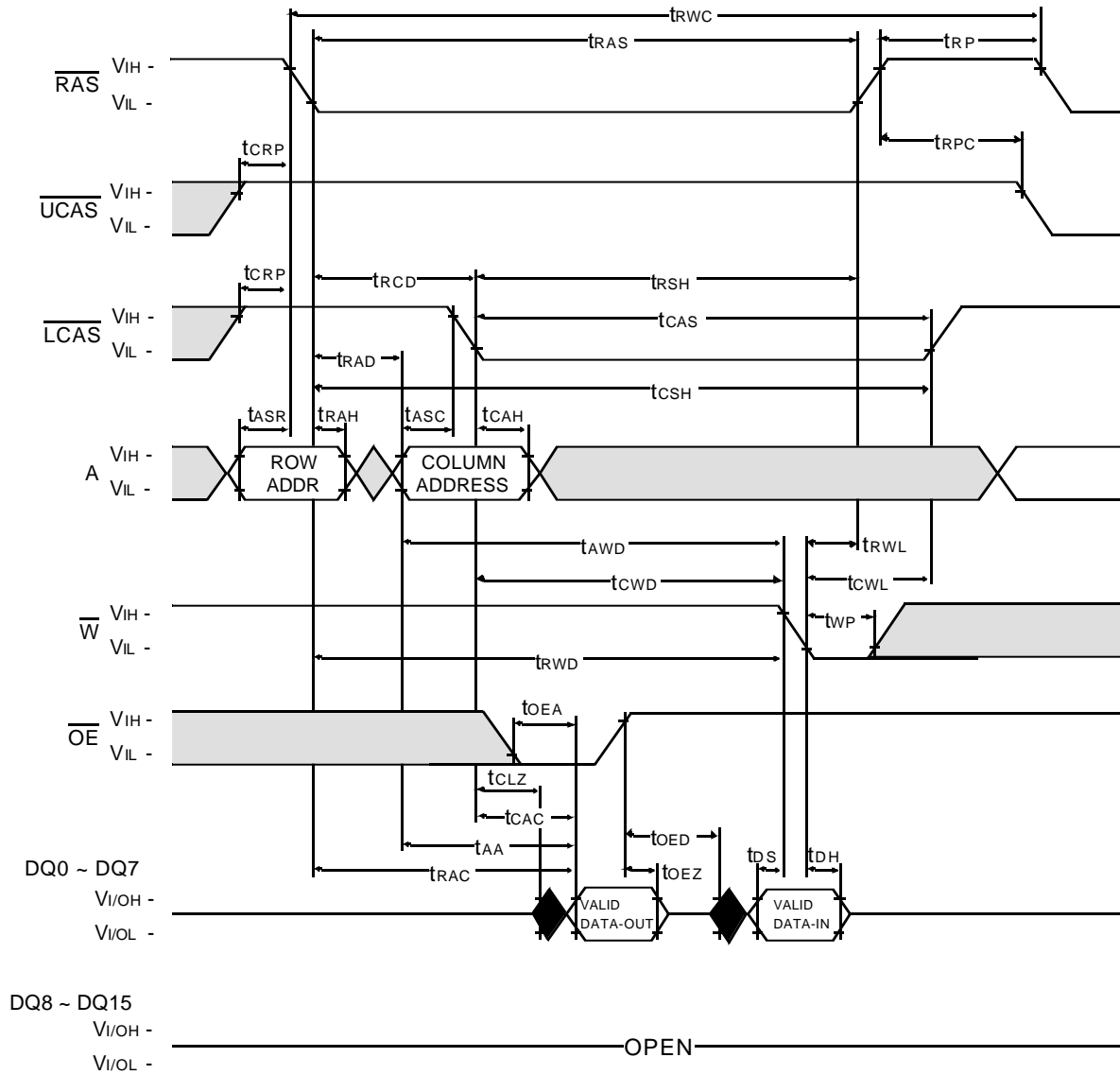
Don't care
 Undefined

WORD READ - MODIFY - WRITE CYCLE

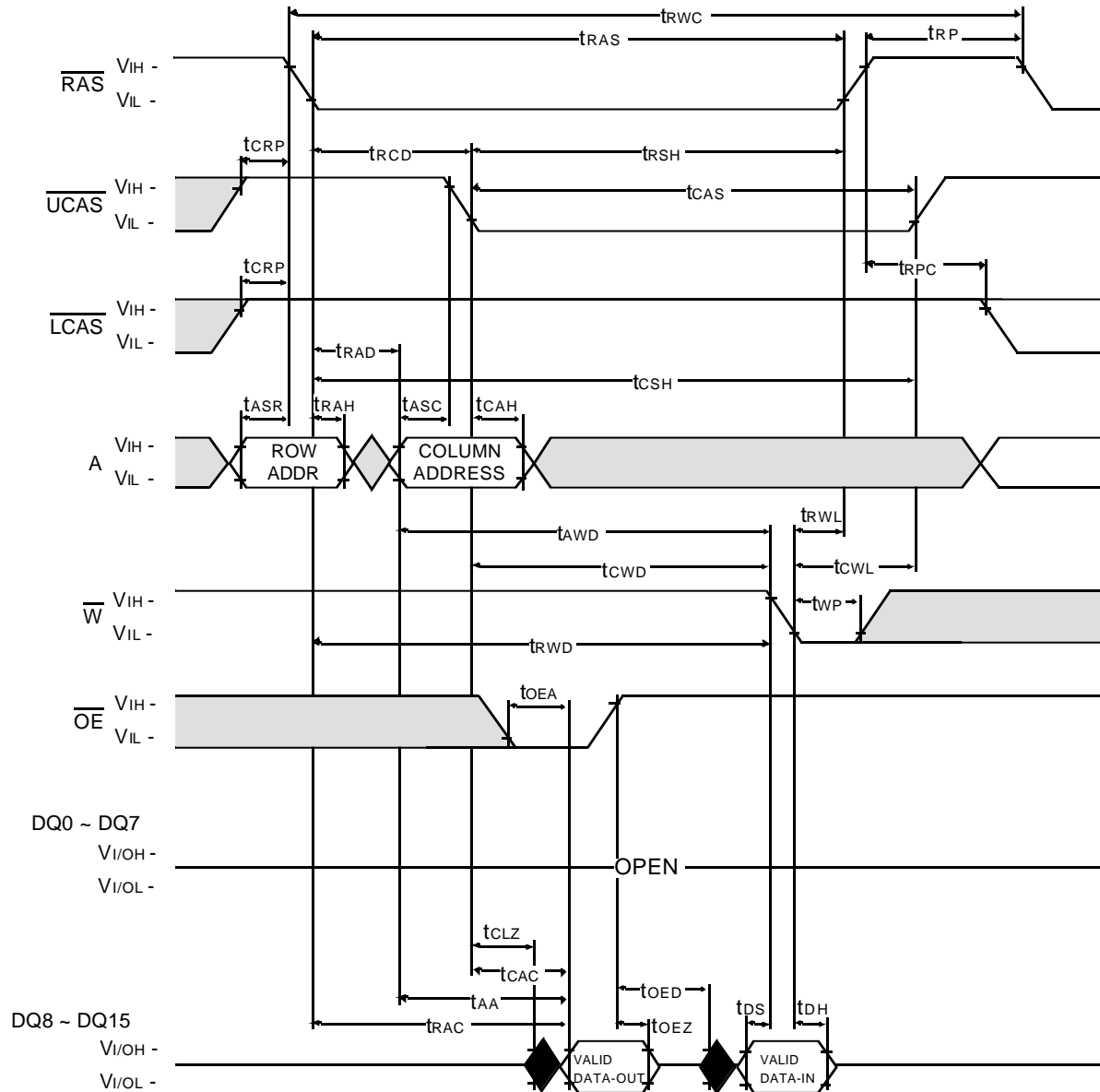


Don't care
 Undefined

LOWER-BYTE READ - MODIFY - WRITE CYCLE

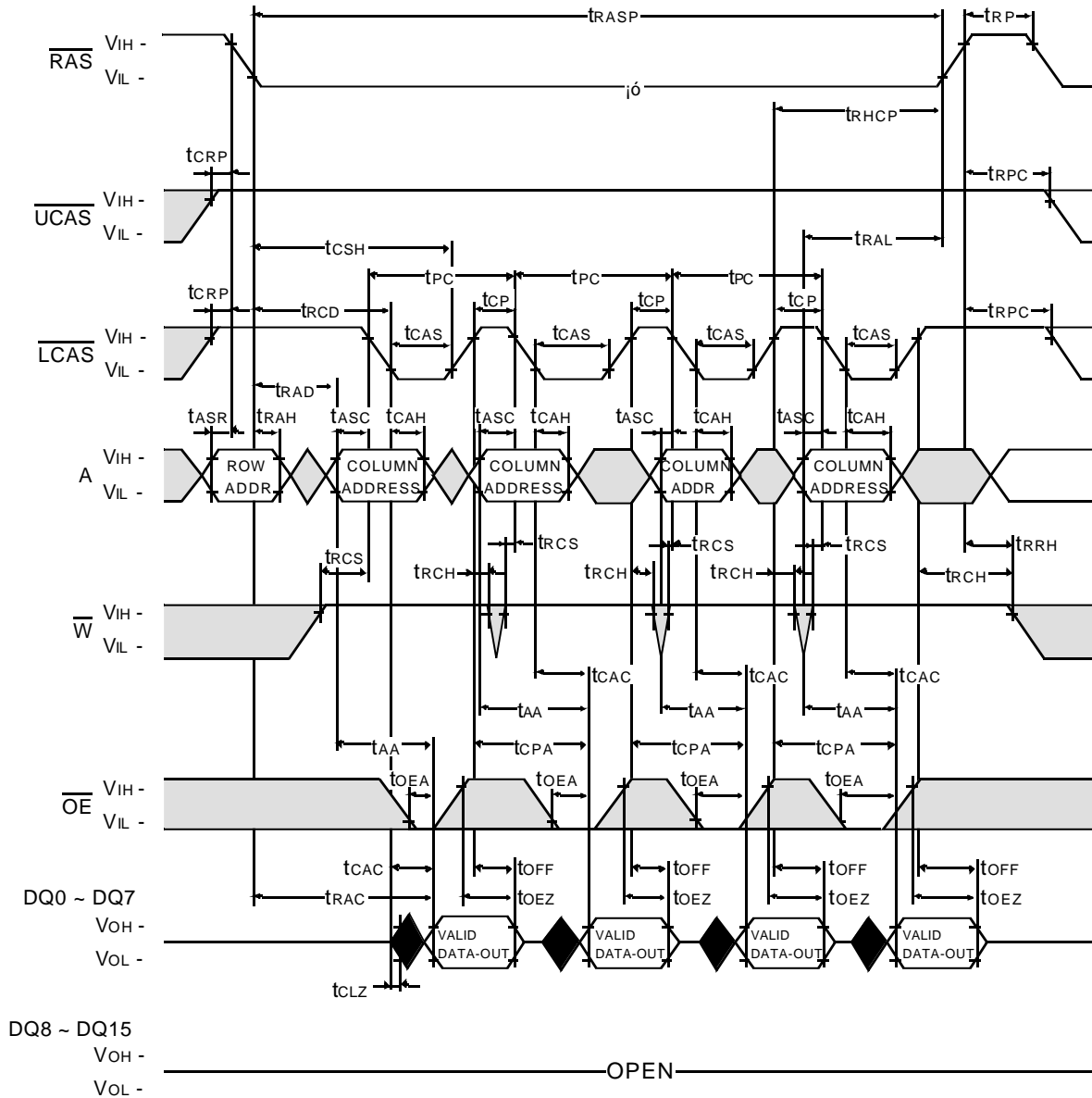


UPPER-BYTE READ - MODIFY - WRITE CYCLE

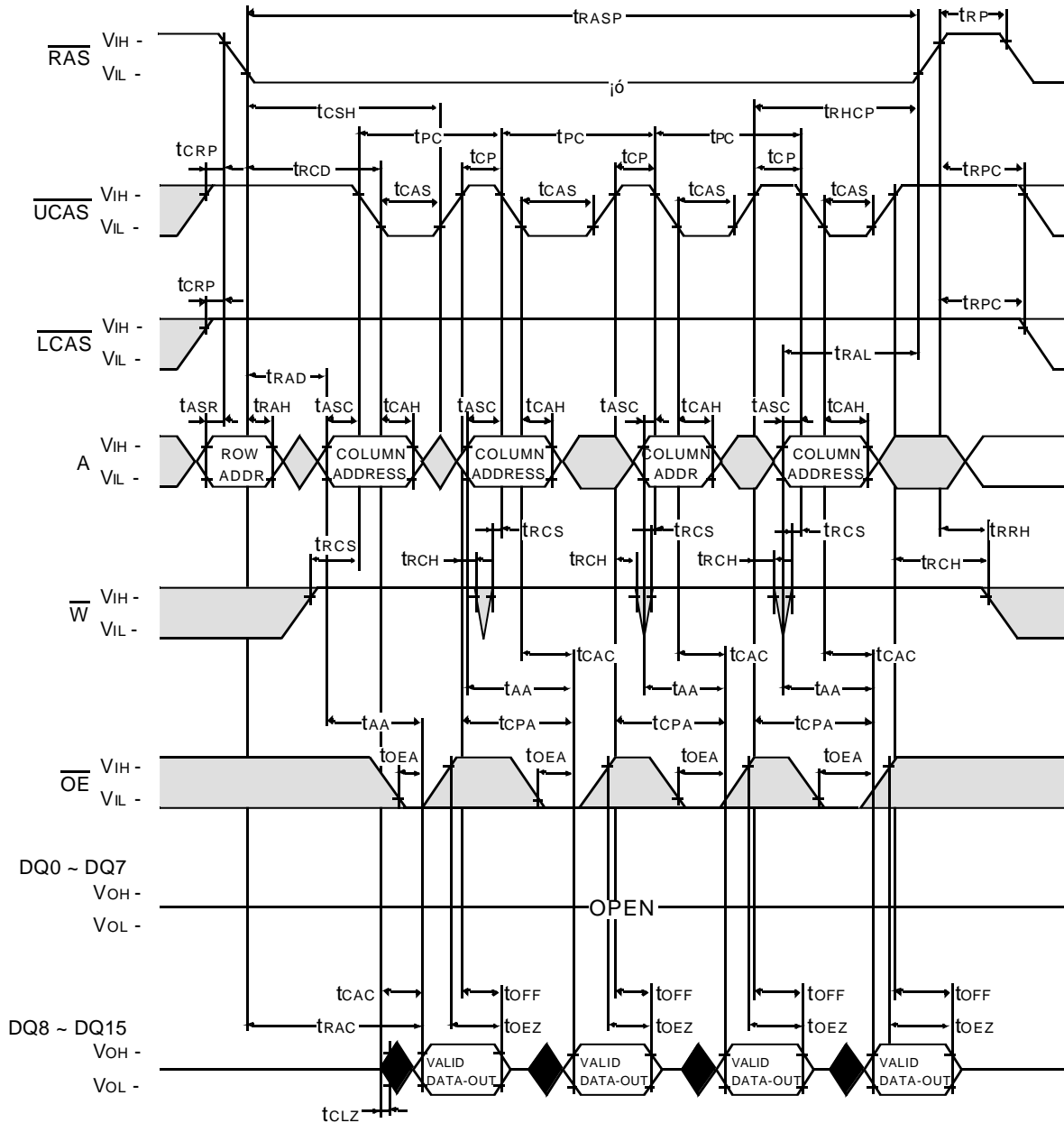


Don't care
 Undefined

FAST PAGE MODE LOWER BYTE READ CYCLE



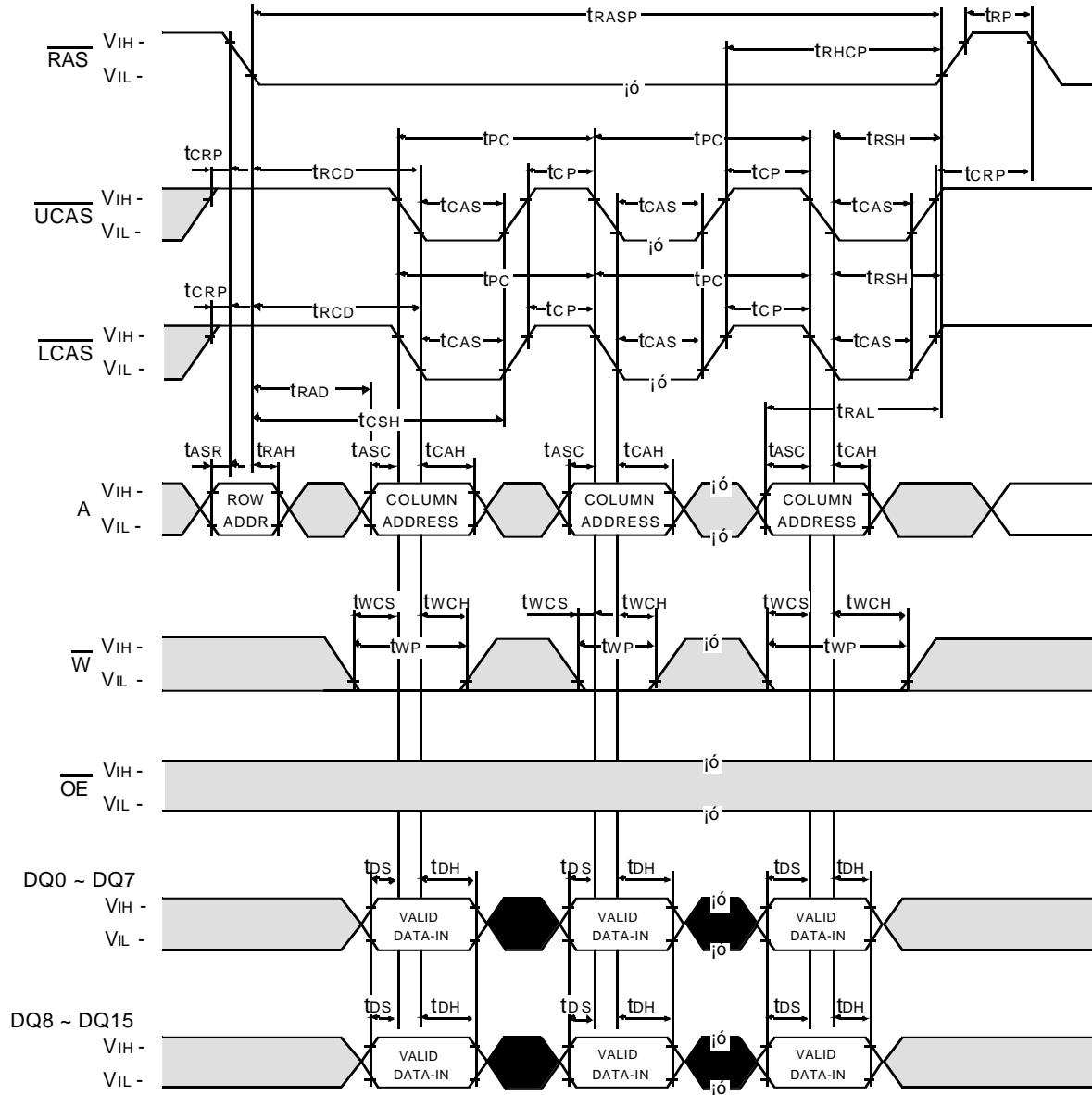
FAST PAGE MODE UPPER BYTE READ CYCLE



Don't care
 Undefined

FAST PAGE MODE WORD WRITE CYCLE (EARLY WRITE)

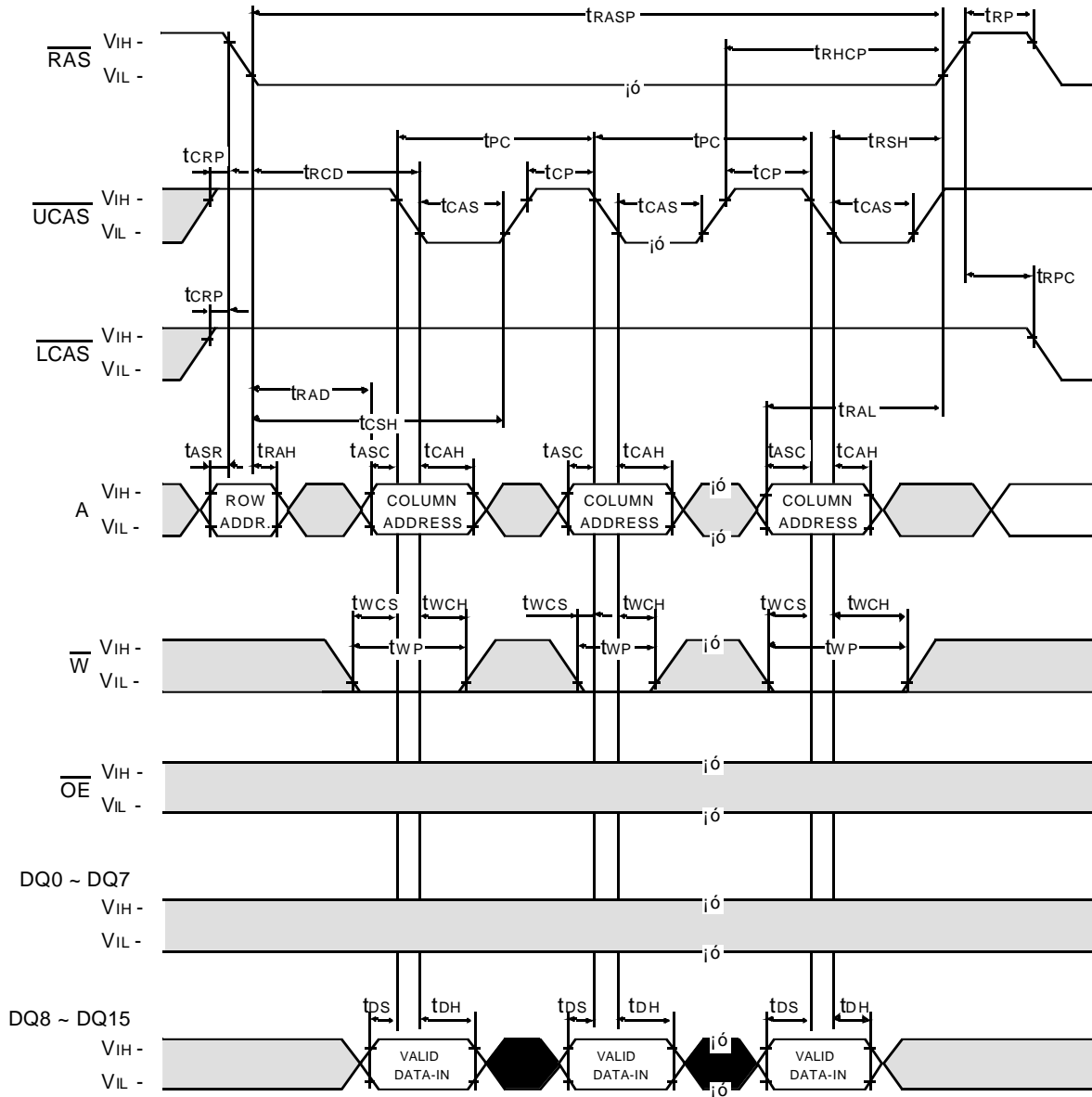
NOTE : DOUT = OPEN



Don't care
 Undefined

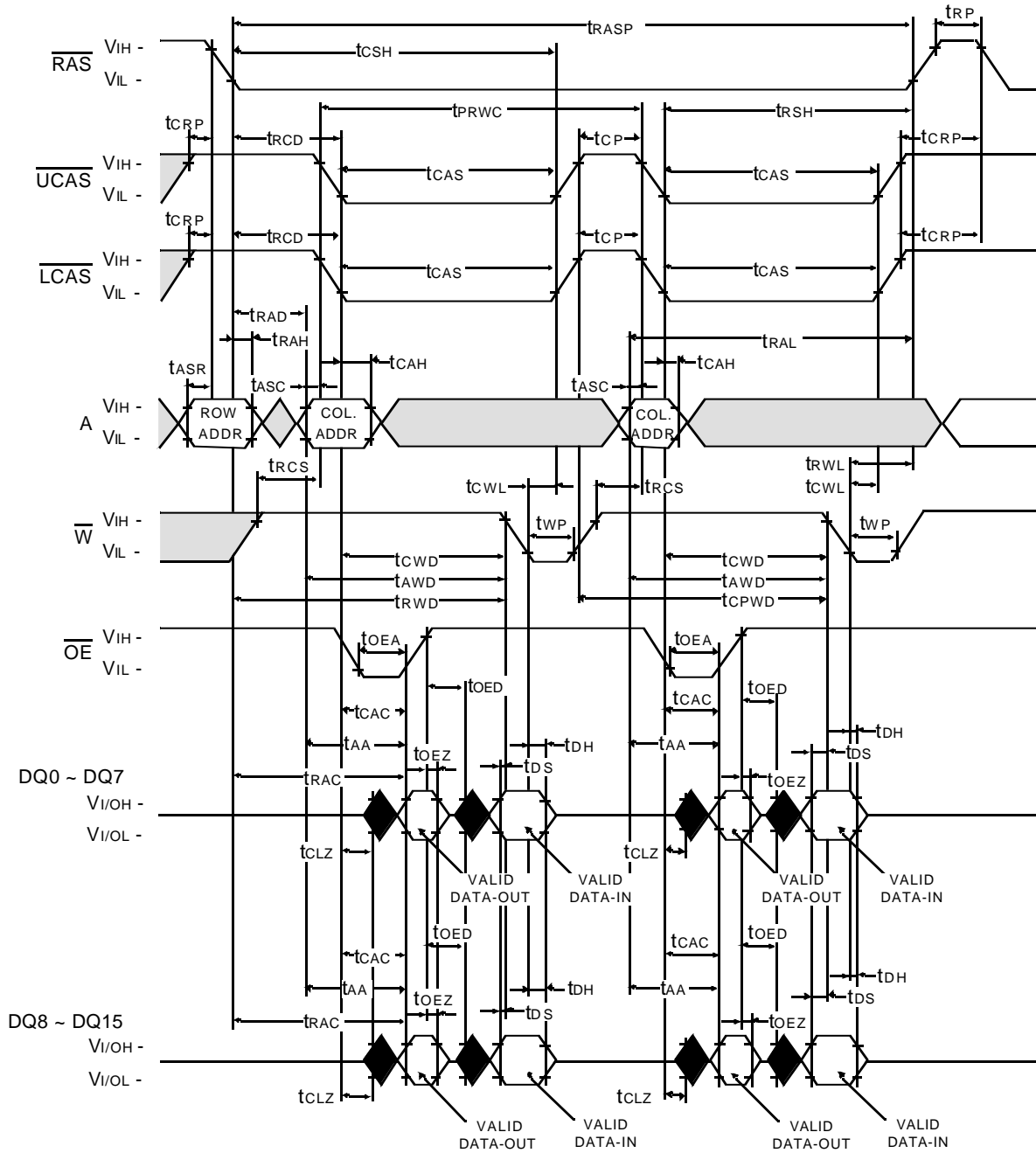
FAST PAGE MODE UPPER BYTE WRITE CYCLE (EARLY WRITE)

NOTE : DOUT = OPEN

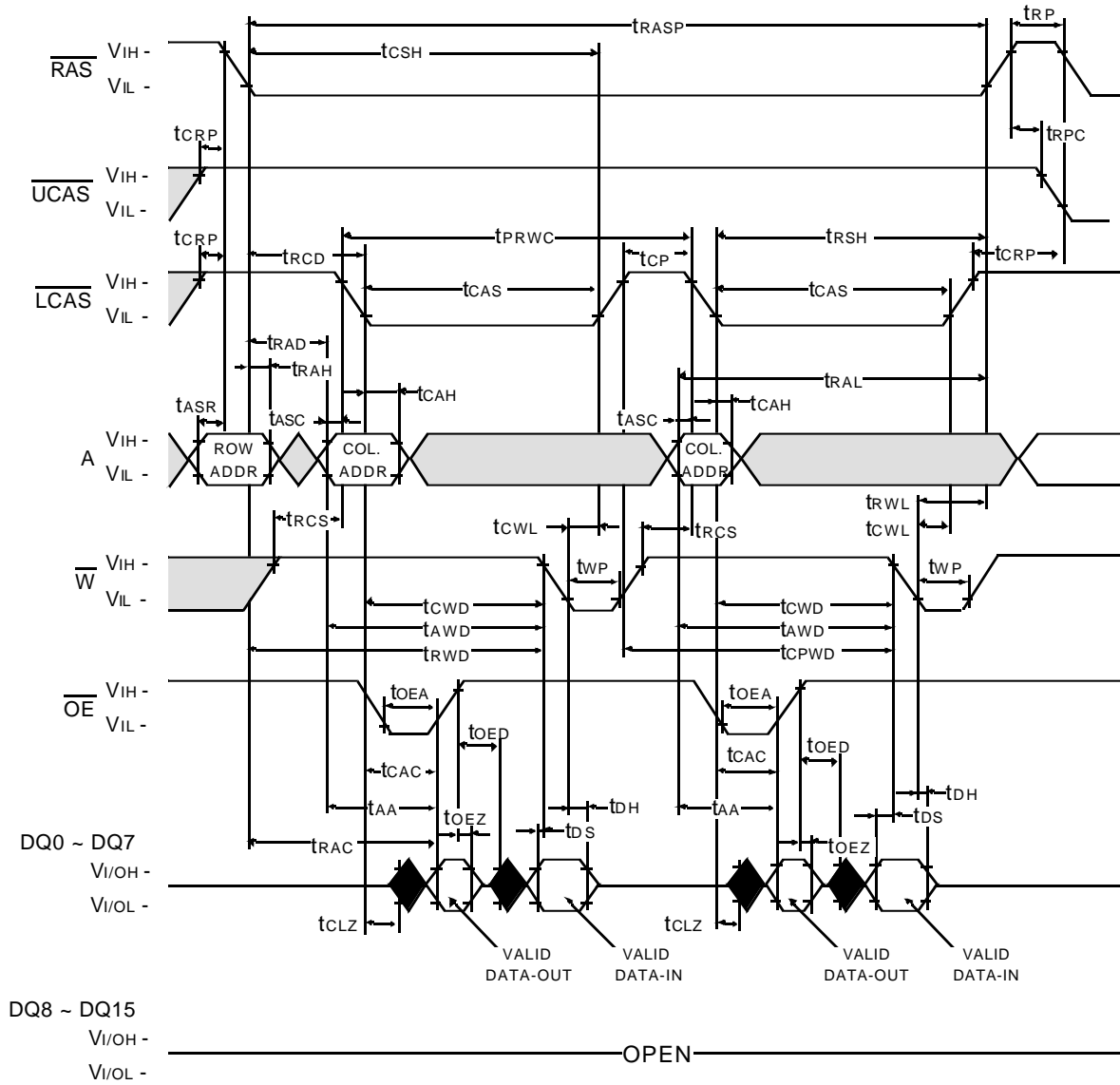


Don't care
 Undefined

FAST PAGE MODE WORD READ-MODIFY-WRITE CYCLE



FAST PAGE MODE LOWER BYTE READ - MODIFY - WRITE CYCLE

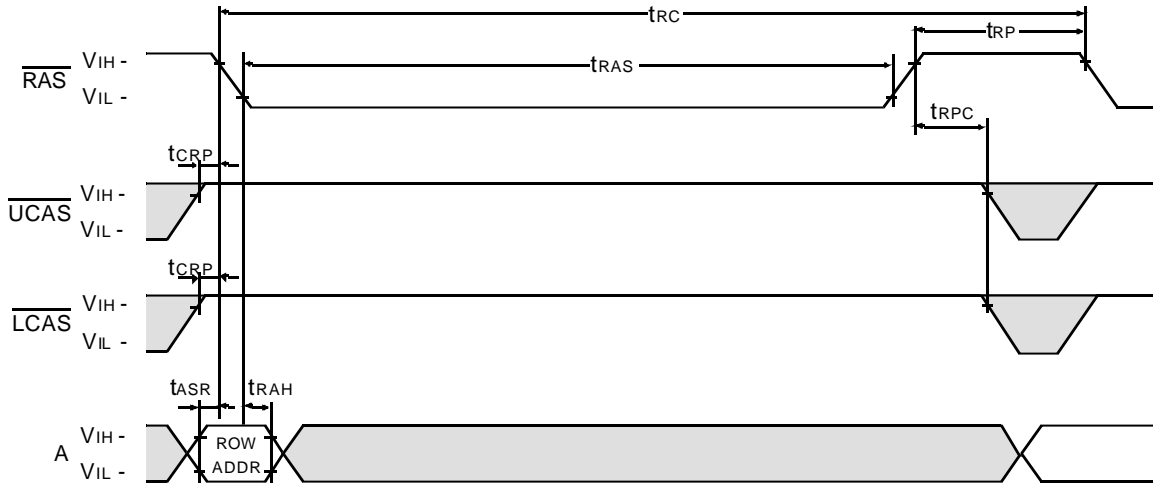


Don't care
 Undefined

RAS - ONLY REFRESH CYCLE

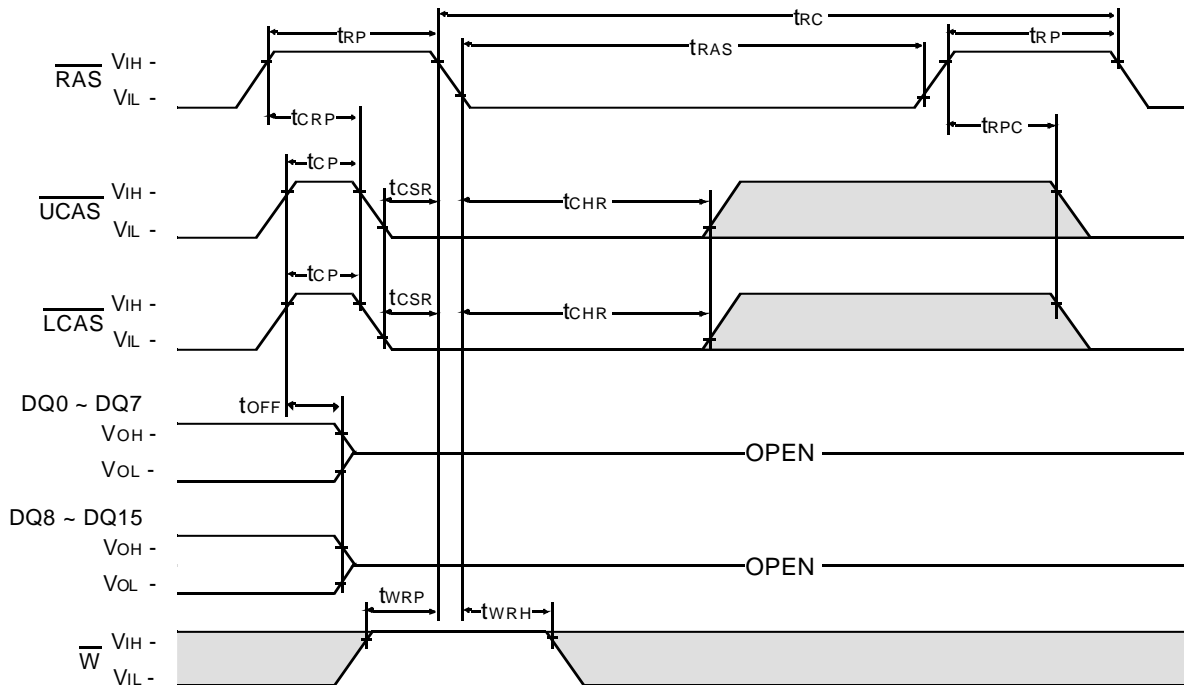
NOTE : \overline{W} , \overline{OE} , DIN = Don't care

DOUT = OPEN



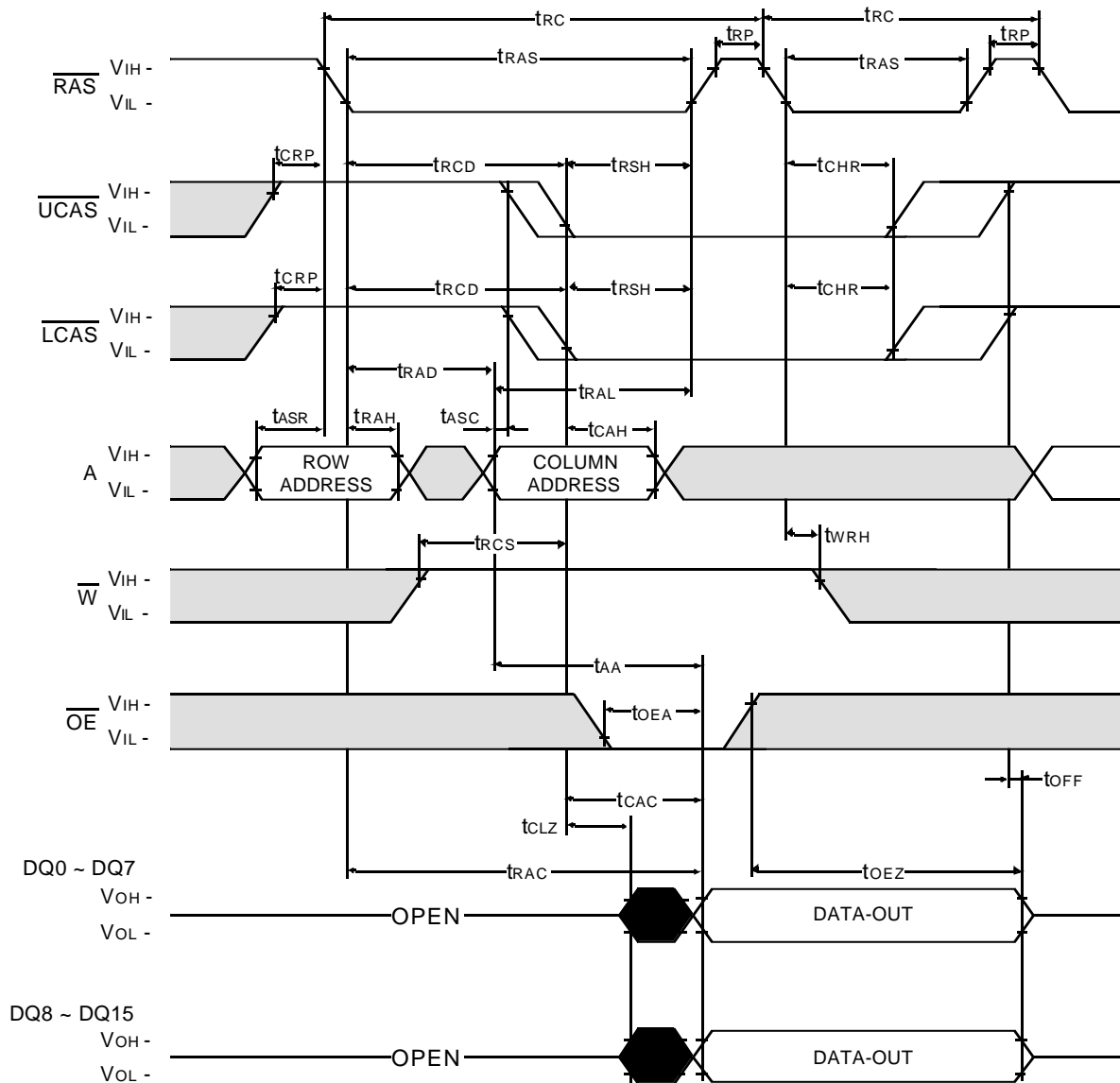
CAS - BEFORE - RAS REFRESH CYCLE

NOTE : \overline{OE} , A = Don't care



Don't care
 Undefined

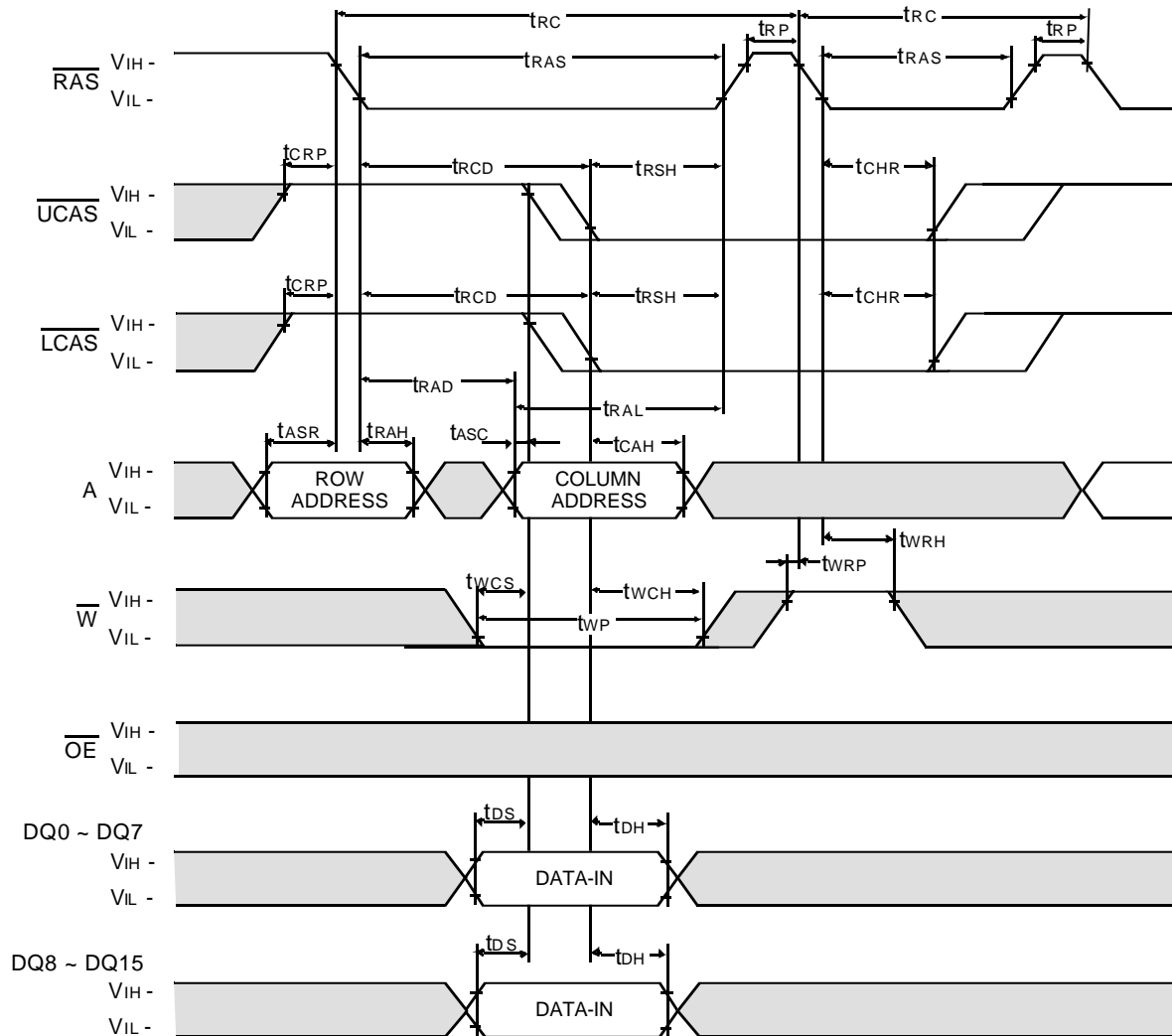
HIDDEN REFRESH CYCLE (READ)



Don't care
 Undefined

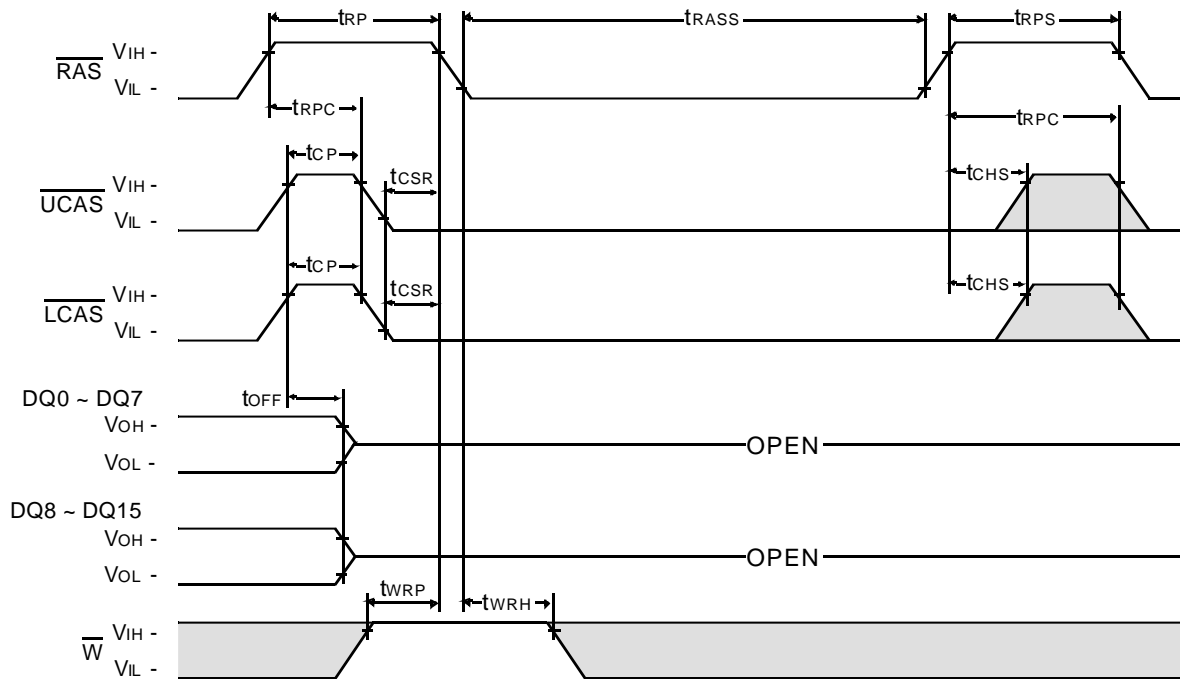
HIDDEN REFRESH CYCLE (WRITE)

NOTE : DOUT = OPEN



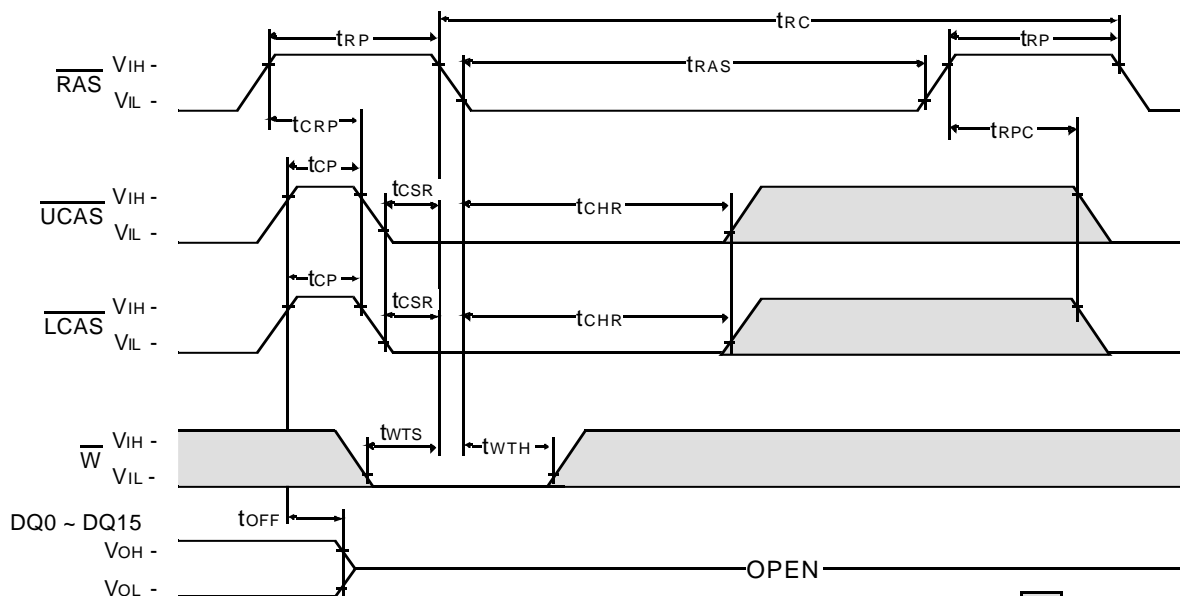
CAS - BEFORE - RAS SELF REFRESH CYCLE

NOTE : \overline{OE} , A = Don't care



TEST MODE IN CYCLE

NOTE : \overline{OE} , A = Don't care



Don't care
 Undefined

PACKAGE DIMENSION

