

# Amphenol

## Circular Interconnects

### Mini-DIN Receptacle Panel Mount Housing

**Materials**  
 Housing – 94V-0 thermoplastic  
 Shield – Carbon steel  
 Shield Plating – 100µ" Tin/lead

**Related Information**  
 Socket Contact – G18DC see below  
 Mating Half – Page D-27

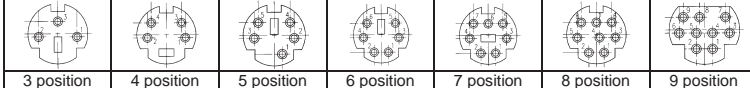
#### Part Number System:

**G18DR XX X X**  
 Mini-DIN Housing Rec. Panel Mount for Crimp Contacts

#### NUMBER OF POSITIONS

- 03: 3 Position
- 04: 4 Position
- 05: 5 Position
- 06: 6 Position
- 07: 7 Position
- 08: 8 Position

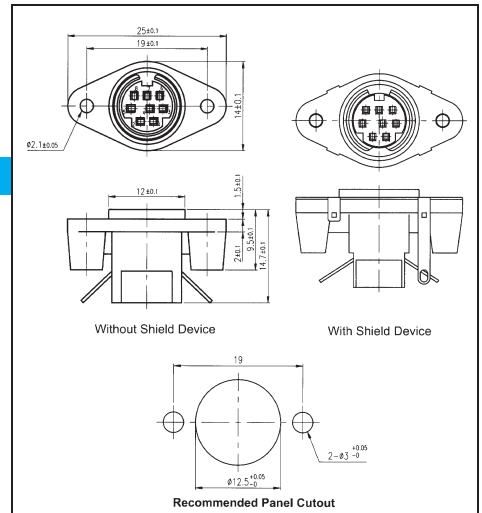
Insert Arrangements



Suffix may be added to Part Number. This Suffix is for Internal use mainly. Additional Suffix 'EU' or 'LF' may be added for RoHS compliant product.

#### SHIELDING OPTION

- 0: With Shielding
- 1: Without Shielding



### Mini-DIN Crimp Socket Contacts for G18DR above

**Materials**  
 Contact – P/B with 50µ" Ni  
**Electrical**  
 Current – 1.5A  
 Voltage – 250VAC/rms 60Hz

**Durability**  
 Gold Flash – 75 cycles  
 15µ" Gold – 125 cycles  
 30µ" Gold – 250 cycles  
 100µ" Tin/lead – 200 cycles

#### Part Number System:

**G18DC X X X X**  
 Mini-DIN Contacts Socket Crimp for 24–28AWG

#### CONTACT FINISH

- 0: Gold Flash
- 1: 30µ" Gold
- 3: 15µ" Gold
- 5: 100µ" Tin/Lead

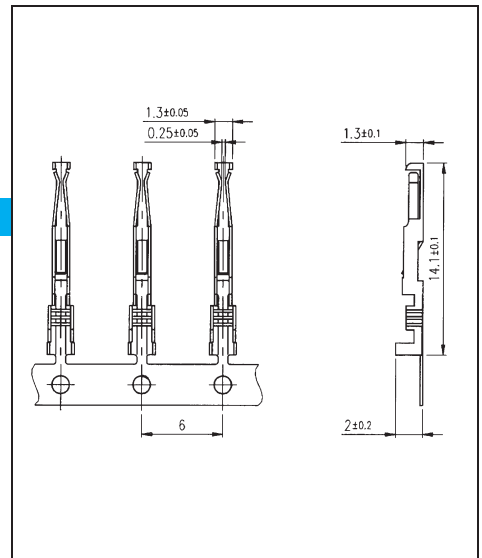
Suffix may be added to Part Number. This Suffix is for Internal use mainly. Additional Suffix 'EU' or 'LF' may be added for RoHS compliant product.

#### PACKING OPTION

- 3: Reel of 5,000
- 4: Reel of 10,000

#### PACKING STYLE

- 1: Right Hand Feed
- 2: Left Hand Feed



### Mini-DIN Dual Port R/A PCB Mount Receptacle

**Materials**  
 Housing – 94V-0 thermoplastic  
 Shield – Carbon steel  
 Shield Plating – 100µ" Tin/lead  
 Contact – P/B with 50µ" Ni

**Durability**  
 Gold Flash – 75 cycles  
 15µ" Gold – 125 cycles  
 30µ" Gold – 250 cycles  
 100µ" Tin/lead – 200 cycles

#### Electrical

Current – 1.5A  
 Voltage – 250VAC/rms 60Hz

#### Related Information

Mating Half – D-27

#### Part Number System:

**G18H X X X X X**  
 Mini-DIN Dual Port Rec. G18H: Standard Temperature  
 G18HM: High Temperature

#### NUMBER OF POSITIONS TOP NUMBER OF POSITIONS BOTTOM

- 3: 3 Position
- 4: 4 Position
- 5: 5 Position
- 6: 6 Position
- 7: 7 Position
- 8: 8 Position
- 9: 9 Position

Suffix may be added to Part Number. This Suffix is for Internal use mainly. Additional Suffix 'EU' or 'LF' may be added for RoHS compliant product.

#### BOARDLOCK OPTIONS

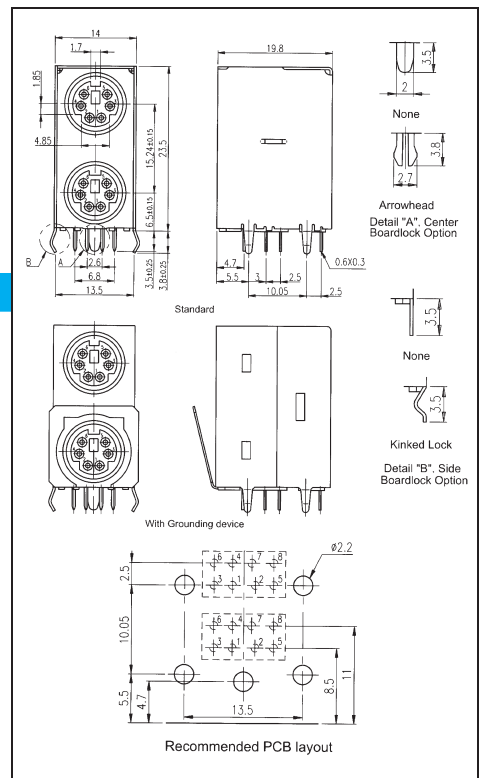
- 0: None
- 1: Centre Arrowhead only
- 2: Side Boardlock only
- 3: Both Centre & Side Locks

#### CONTACT FINISH

- 0: Gold Flash
- 1: 1: 30µ" Gold
- 3: 3: 15µ" Gold
- 5: 100µ" Tin/Lead

#### GROUNDING OPTION

- 0: Standard
- 1: With Grounding



### Mini-DIN Plug Cable Mount Assembly

#### Materials

Housing – 94V-0 thermoplastic  
 Shell – Carbon steel 50µ" Ni  
 Boot – 94V-0 PVC

#### Related Information

Splicing Contact – G18EC see below  
 Mating Half – Page C-13 & below  
 Inserts – D-26

#### Part Number System:

**G18E XX X X X X**

Mini-DIN Plug Assembly  
 Crimp Type

#### NUMBER OF POSITIONS

03: 3 Position  
 04: 4 Position  
 05: 5 Position  
 06: 6 Position  
 07: 7 Position  
 08: 8 Position

#### SHELL FINISH

0: Tin/lead  
 1: Nickel



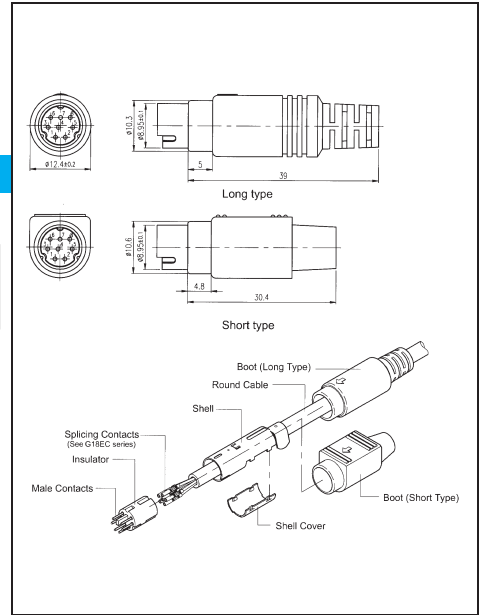
Suffix may be added to Part Number. This Suffix is for Internal use mainly. Additional Suffix 'EU' or 'LF' may be added for RoHS compliant product.

#### BOOT STYLE

0: Long  
 1: Short

#### CONTACT FINISH

0: Gold Flash  
 1: 30µ" Gold  
 3: 15µ" Gold  
 5: 100µ" Tin/Lead



### Mini-DIN Contact Crimp Splice for G18E above

#### Materials

Contact – P/B with 50µ" Ni

#### Electrical

Current – 1.5A  
 Voltage – 250VAC/rms 60Hz

#### Durability

Gold Flash – 75 cycles  
 15µ" Gold – 125 cycles  
 30µ" Gold – 250 cycles  
 100µ" Tin/lead – 200 cycles

#### Part Number System:

**G18EC X X X X**

Mini-DIN Splice Contact  
 Crimp for 24~28AWG

#### CONTACT FINISH

0: Gold Flash  
 1: 30µ" Gold  
 3: 15µ" Gold  
 5: 100µ" Tin/Lead



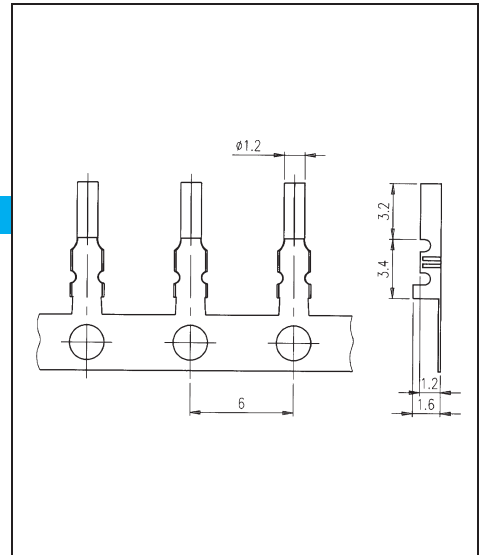
Suffix may be added to Part Number. This Suffix is for Internal use mainly. Additional Suffix 'EU' or 'LF' may be added for RoHS compliant product.

#### PACKING OPTION

3: Reel of 5,000  
 4: Reel of 10,000

#### PACKING STYLE

1: Right Hand Feed  
 2: Left Hand Feed



### Mini-DIN PCB Mount Right Angle Receptacle

#### Materials

Housing – 94V-0 thermoplastic  
 Shield – Carbon steel  
 Shield Plating – 100µ" Tin/lead  
 Contact – P/B with 50µ" Ni

#### Durability

Gold Flash – 75 cycles  
 15µ" Gold – 125 cycles  
 30µ" Gold – 250 cycles  
 100µ" Tin/lead – 200 cycles

#### Electrical

Current – 1.5A  
 Voltage – 250VAC/rms 60Hz

#### Related Information

Mating Half – See above  
 Inserts – D-26

#### Part Number System:

**G18X XX X X**

Mini-DIN Dual Port Rec.

G18J: Standard Temperature  
 G18K: Shielded

#### NUMBER OF POSITIONS

03: 3 Position  
 04: 4 Position  
 05: 5 Position  
 06: 6 Position  
 07: 7 Position  
 08: 8 Position  
 09: 9 Position



Suffix may be added to Part Number. This Suffix is for Internal use mainly. Additional Suffix 'EU' or 'LF' may be added for RoHS compliant product.

#### BOARDLOCK OPTIONS

0: None  
 1: Centre Arrowhead only  
 2: Side Boardlock (G18K only)  
 3: Both Centre & Side Locks (G18K only)

#### CONTACT FINISH

0: Gold Flash  
 1: 1: 30µ" Gold  
 3: 3: 15µ" Gold  
 5: 100µ" Tin/Lead

