

AZ DISPLAYS, INC.

1. MECHANICAL DATA

(1) Product No.	AGM1264E
(2) Module Size	77.5 (W)mm x 51.3 (H)mm x MAX2.8 (D)mm (W/O B.L.)
(3) Dot Size	0.48 (W)mm x 0.48 (H)mm
(4) Dot Pitch	0.52 (W)mm x 0.52 (H)mm
(5) Number of Dots	128 (W) x 64 (H)
(6) Duty	1/64
(9) LCD Display Mode	STN: <input type="checkbox"/> Gray Mode <input type="checkbox"/> Yellow Mode <input type="checkbox"/> Blue Mode FSTN: <input type="checkbox"/> Black and White(Normal White/Positive Image) <input type="checkbox"/> Black and White(Normal Black/Negative Image)
(10) Viewing Direction	Rear Polarizer: <input type="checkbox"/> Reflective <input type="checkbox"/> Transflective <input type="checkbox"/> Transmissive <input type="checkbox"/> 6 O'clock <input type="checkbox"/> 12 O'clock
(11) Backlight	None
(12) Weight	23.0 g (approx)
(13) Controller (COG)	SED1565

Revised: May 30, 2000

2. ABSOLUTE MAXIMUM RATINGS

(1) ELECTRICAL ABSOLUTE RATINGS

GND=0V Standard

ITEM	SYMBOL	MIN	MAX	UNIT	COMMENT
Power Supply for Logic	VDD-GND	0	5.5	V	
Input Voltage	VI	GND	VDD	V	
Static Electricity	-	-	-	-	Note 1

Note 1 LCM should be grounded during handling

(2) ENVIRONMENTAL ABSOLUTE MAXIMUM RATINGS

ITEM	NORMAL TEMP.				WIDE TEMP.			
	OPERATING		STORAGE		OPERATING		STORAGE	
	MIN.	MAX.	MIN.	MAX.	MIN.	MAX.	MIN.	MAX.
Ambient Temperature	0	50	-20	70	-20	70	-30	80
Humidity (Without Condensation)	Note 2,4		Note 3,4		Note 4,5		Note 4,6	

Note 2 Ta \leq 50°C : 85% RH max

Ta > 50°C : Absolute humidity must be lower than the humidity of 85%RH at 50°C

Note 3 Ta at -20°C will be < 48hrs, at 70°C will be < 120hrs

Note 4 Background color changes slightly depending on ambient temperature. This phenomenon is reversible.

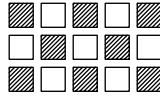
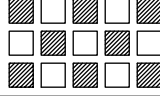
Note 5 Ta \leq 70°C : 75%RH max.

Ta > 70°C : Absolute humidity must be lower than the humidity of 75%RH at 70°C

Note 6 Ta at -30°C will be < 48hrs, at 80°C will be < 120hrs

3. ELECTRICAL CHARACTERISTICS

(VDD= 3V/5V ± 10%)

ITEM	SYMBOL	CONDITION	MIN.	TYP.	MAX.	UNIT	
Input Voltage	VIH	H level	0.8VDD	—	VDD	V	
	VIL	L level	0	—	0.2VDD		
Recommended LCD Driving Voltage	VDD-V5 (VLCD)	DUTY= 1/64 Bias= 1/9	-20°C	10.6	11.0	11.4	V
			0°C	9.1	9.5	9.9	
			25°C	8.8	9.2	9.6	
			50°C	8.5	8.9	9.3	
			70°C	8.6	9.0	9.4	
Power Supply Current (VDD = 5V)	IDD	FLM = 70Hz VDD = 5.0V VDD-V5 = 9.2V 	—	0.7	1.1	mA	
Power Supply Current (VDD = 3V)	IDD	FLM = 70Hz VDD = 3.0V VDD-V5 = 9.2V 	—	1.6	2.4	mA	

4-1.OPTICAL CHARACTERISTICS

(FOR NORMAL TEMPERATURE MODE LCM)

AT V_{OP}

ITEM MODE		Cr(Contrast Ratio)		θ (Viewing Angle)		ϕ (Viewing Angle)	
		25℃		25℃		25℃	
		MIN.	TYP.	MIN.	TYP.	MIN.	TYP.
R	A	—	3.5	—	43	—	49
	C	—	6.0	—	67	—	66
	J	—	5.5	—	70	—	65
S	A	—	—	—	—	—	—
	C	—	—	—	—	—	—
	J	—	6.0	—	63	—	69
NOTE		NOTE 6		NOTE 5			

NOTE :

R: REFLECTIVE
 S: TRANSFLECTIVE
 T: TRANSMISSIVE
 A/B: GRAY

C/D: YELLOW
 E/F: BLUE
 G/H: NORMALLY BLACK
 J/K: NORMALLY WHITE

AT $\phi=0^\circ$ $\theta=0^\circ$

ITEM	SYMBOL	CONDITION	MIN.	TYP.	MAX.	UNIT	NOTE
Response Time (rise)	Tr	0℃	—	1400	2100	ms	NOTE 2
		25℃	—	350	550		
		50℃	—	160	240		
Response Time (fall)	Tf	0℃	—	700	1100	ms	NOTE 2
		25℃	—	180	270		
		50℃	—	80	120		

4-2.OPTICAL CHARACTERISTICS

(FOR WIDE TEMPERATURE MODE LCM)

AT Vop

ITEM MODE		Cr(Contrast Ratio)										θ (Viewing Angle)		ϕ (Viewing Angle)	
		-20℃		0℃		25℃		50℃		70℃		25℃		25℃	
		MIN.	TYP.	MIN.	TYP.	MIN.	TYP.	MIN.	TYP.	MIN.	TYP.	MIN.	TYP.	MIN.	TYP.
R	A	-	-	-	-	-	-	-	-	-	-	-	-	-	-
	C	-	-	-	-	-	-	-	-	-	-	-	-	-	-
	J	-	3.7	-	4.0	-	5.7	-	5.8	-	4.7	-	70	-	65
S	A	-	-	-	-	-	-	-	-	-	-	-	-	-	-
	C	-	-	-	-	-	-	-	-	-	-	-	-	-	-
	J	-	3.6	-	5.2	-	6.1	-	4.9	-	3.7	-	63	-	69
T	E	-	-	-	-	-	-	-	-	-	-	-	-	-	-
	G	-	-	-	-	-	-	-	-	-	-	-	-	-	-
NOTE		NOTE 6										NOTE 5			

NOTE :

R: REFLECTIVE
 S: TRANSFLECTIVE
 T: TRANSMISSIVE
 A/B: GRAY

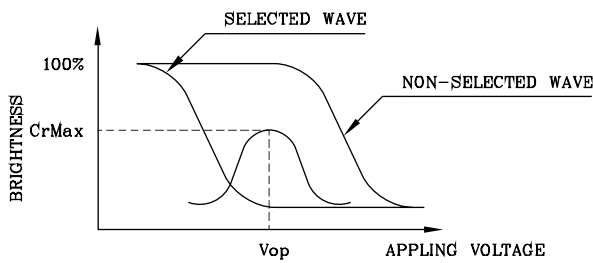
C/D: YELLOW
 E/F: BLUE
 G/H: NORMALLY BLACK
 J/K: NORMALLY WHITE

 AT $\phi=0^\circ$ $\theta=0^\circ$

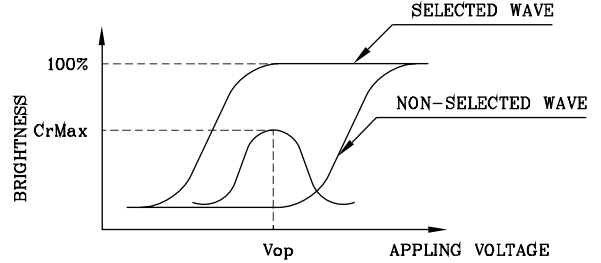
ITEM	SYMBOL	CONDITION	MIN.	TYP.	MAX.	UNIT	NOTE
Response Time (rise)	Tr	-20℃	-	11240	-	ms	NOTE 2
		0℃	-	1450	-		
		25℃	-	350	-		
		50℃	-	145	-		
		70℃	-	75	-		
Response Time (fall)	Tf	-20℃	-	6200	-	ms	NOTE 2
		0℃	-	700	-		
		25℃	-	160	-		
		50℃	-	70	-		
		70℃	-	70	-		

(FIG 1)

Definition of Operation Voltage(Vop)



(positive type)



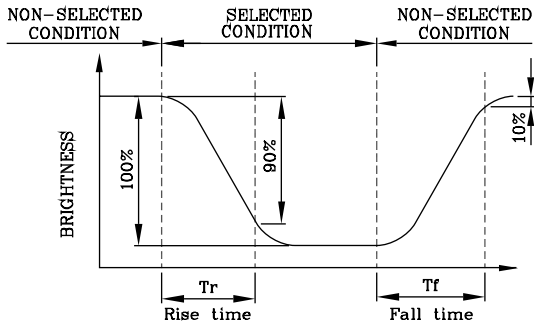
(negative type)

*Conditions

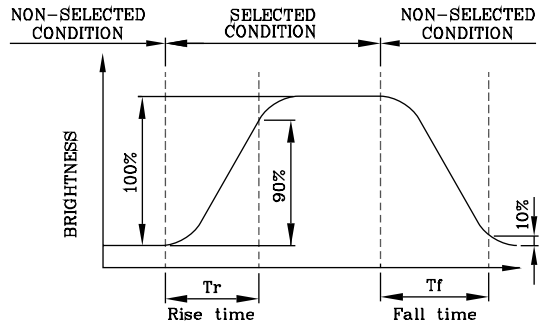
Viewing Angle : 0
 Frame Frequency : 70Hz
 Applying Waveform : I/N duty 1/a bias

(FIG 2)

Definition of Response Time(Tr,Tf)



(positive type)



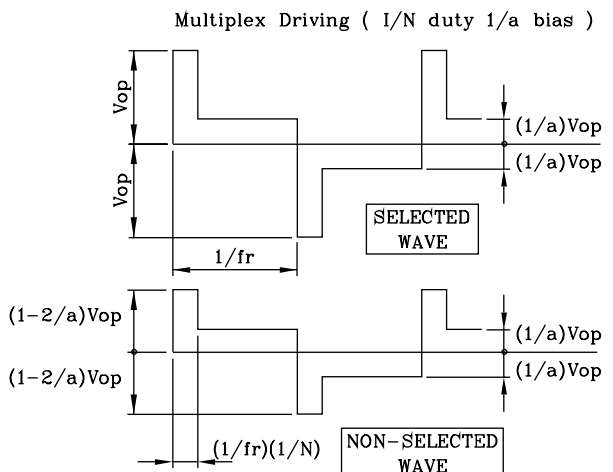
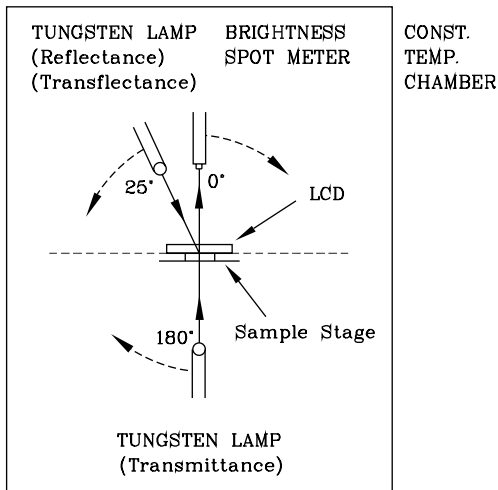
(negative type)

*Conditions

Operating Voltage : Vop
 Viewing Angle (θ,θ) : (0,0)
 Frame Frequency : 70Hz
 Applying Waveform : I/N duty 1/a bias

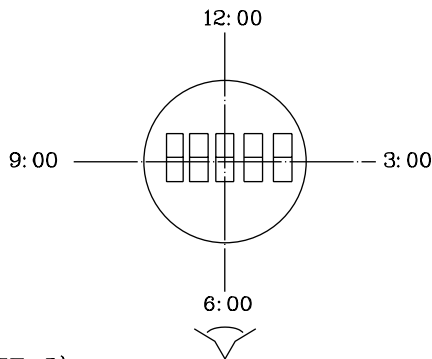
(FIG 3)

Description of Measuring Equipment and Driving Waveforms



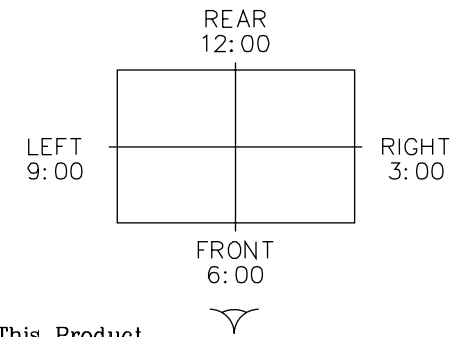
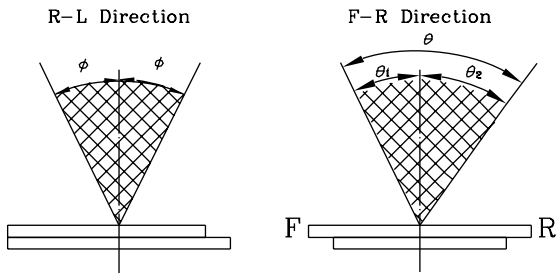
(NOTE 4)

Definition of Viewing Direction



(NOTE 5)

Definition of Viewing Angle



*For This Product
The Viewing Direction Is 6 O'clock
So $\theta_1 > \theta_2$

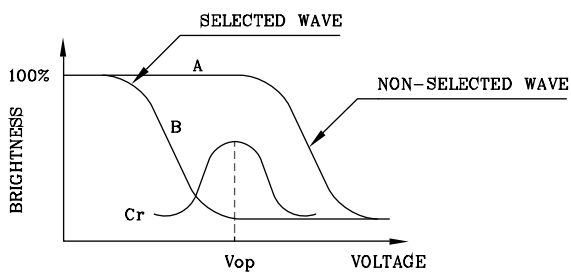
$$\theta = \theta_1 + \theta_2$$

*Conditions

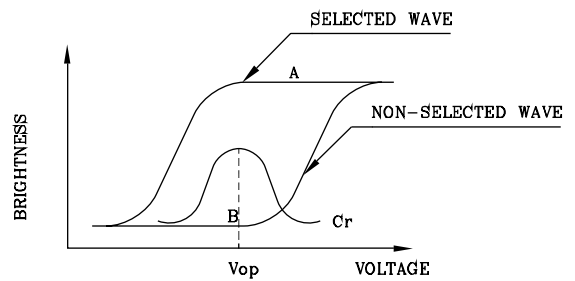
Operating Voltage : V_{op}
Frame Frequency : 70Hz
Applying Waveform : 1/N duty 1/a bias
Contrast Ratio : larger than 2

(NOTE 6)

Definition of Contrast Ratio (Cr)



(positive type)



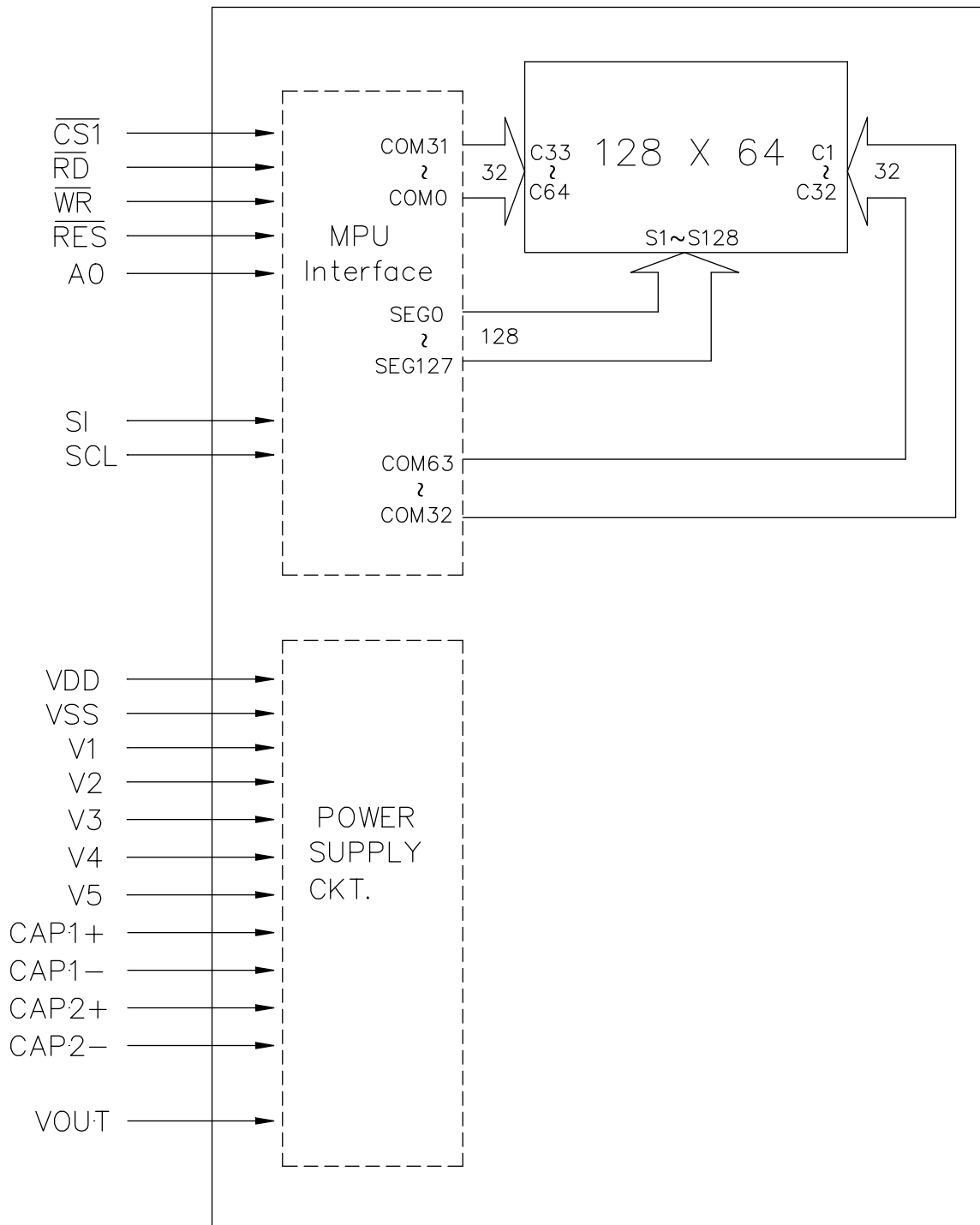
(negative type)

$$\text{Contrast Ratio : } Cr = A/B$$

*Conditions

Viewing Angle : 0
Frame Frequency : 70Hz
Applying Waveform : 1/N duty 1/a bias

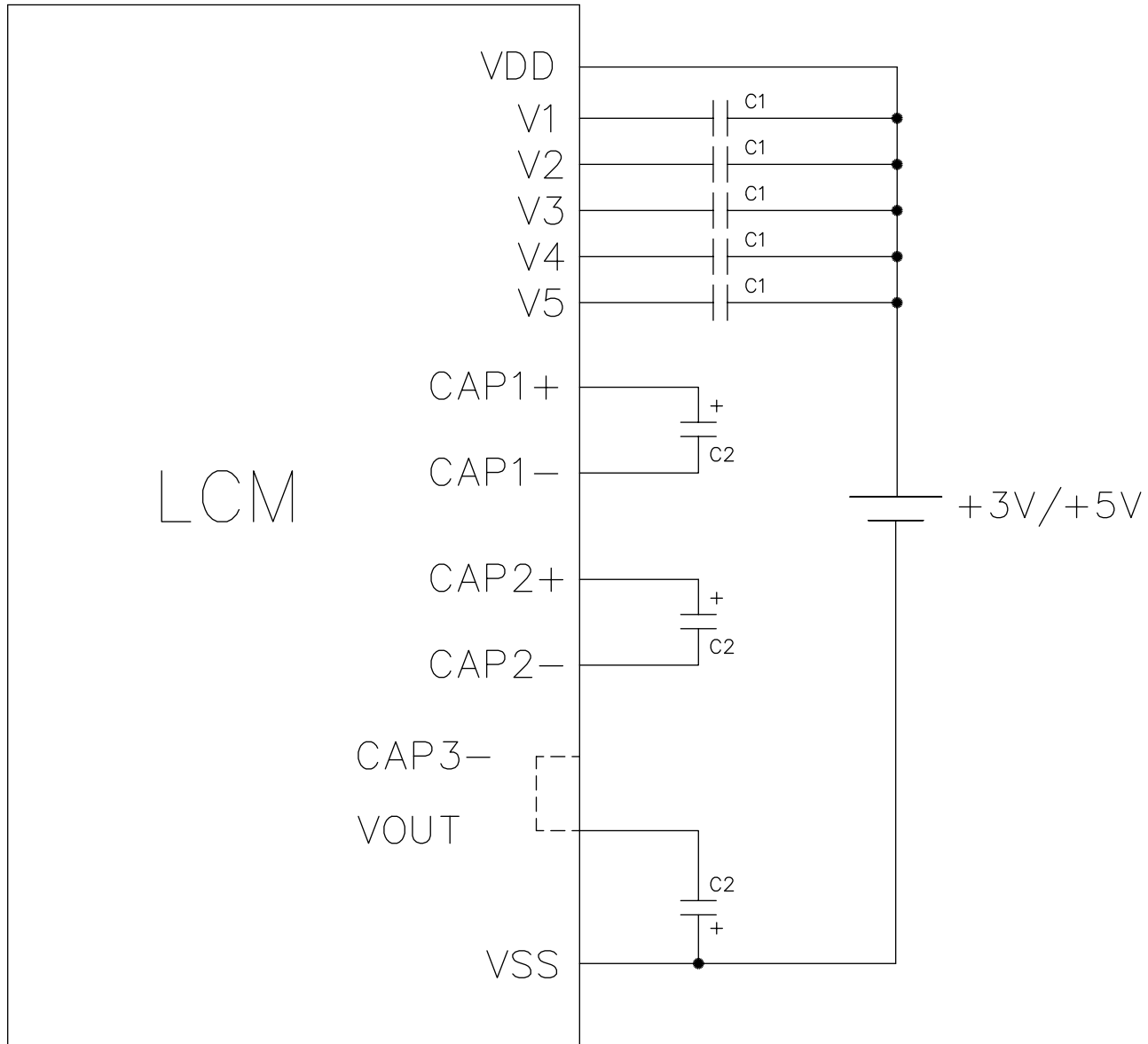
5. MPU INTERFACE/BLOCK DIAGRAM



6. INTERNAL PIN CONNECTION

Pin No.	Symbol	Function
1	V5	This is a multi-level power supply for the liquid crystal drive. $VDD(=V0) \geq V1 \geq V2 \geq V3 \geq V4 \geq V5$
2	V4	
3	V3	
4	V2	
5	V1	
6	N.C	N.C
7	CAP2+	Connect a capacitor between this terminal and the CAP2- terminal.
8	CAP2-	Connect a capacitor between this terminal and the CAP2+ terminal.
9	CAP1-	Connect a capacitor between this terminal and the CAP1+ terminal.
10	CAP1+	Connect a capacitor between this terminal and the CAP1- terminal.
11	VOUT	Connect a capacitor between this terminal and the VSS
12	VSS	0V(GND)
13	VDD	+3V/+5.0V(Logic voltage)
14	D7(SI)	Serial data input
15	D6(SCL)	Serial clock input
16	\overline{RD}	Fixed to either "H" or to "L"
17	\overline{WR}	Fixed to either "H" or to "L"
18	A0	"H"=Display data , "L"=Control data
19	\overline{RES}	Reset signal
20	$\overline{CS1}$	Chip select signal

7. POWER SUPPLY/BOOSTER CAPACITANCE



C1: 2.2~4.7 μ F

C2: 2.2~4.7 μ F

8-1.SED1565 Series Commands

Command	Command Code										Function	
	A0	RD	WR	D7	D6	D5	D4	D3	D2	D1		D0
(1)Display ON/OFF	0	1	0	1	0	1	0	1	1	1	0	LCD display ON/OFF 0: OFF,1: ON
(2)Display start line set	0	1	0	0	1	Display start address					1	Sets the display RAM display start line address
(3)Page address set	0	1	0	1	0	1	Page address					Sets the display RAM page address
(4)Column address set upper bit	0	1	0	0	0	0	1	Most significant column address				Sets the most significant 4 bits of the display RAM column address.
Column address set lower bit	0	1	0	0	0	0	0	Least significant column address				Sets the least significant 4 bits of the display RAM column address.
(5)Status read	0	0	1	Status				0	0	0	0	Reads the status data
(6)Display data write	1	1	0	Write data							1	Writes to the display RAM
(7)Display data read	1	0	1	Read data							1	Reads from the display RAM
(8)ADC select	0	1	0	1	0	1	0	0	0	0	0	Sets the display RAM address SEG output correspondence 0: normal,1: reverse
(9)Display normal/reverse	0	1	0	1	0	1	0	0	1	1	0	Sets the LCD display normal/reverse 0: normal,1: reverse
(10)Display all points ON/OFF	0	1	0	1	0	1	0	0	1	0	0	Display all points 0: normal display 1: all point ON
(11)LCD bias set	0	1	0	1	0	1	0	0	0	1	0	Sets the LCD drive voltage bias ratio SED1565***...0:1/9,1:1/7 SED1566***...0:1/8,1:1/6 SED1567***...0:1/6,1:1/5
(12)Read/modify/write	0	1	0	1	1	1	0	0	0	0	0	Column address increment At write: +1 At read: 0
(13)End	0	1	0	1	1	1	0	1	1	1	0	Clear read/modify/write
(14)Reset	0	1	0	1	1	1	0	0	0	1	0	Internal reset
(15)Common output mode select	0	1	0	1	1	0	0	0	*	*	*	Select COM output scan direction 0: normal direction, 1: reverse direction
(16)Power control set	0	1	0	0	0	1	0	1	Operating mode			Select internal power supply operating mode
(17)V5 voltage regulator internal resistor ratio set	0	1	0	0	0	1	0	0	Resistor ratio			Select internal resistor ratio (Rb/Ra) mode
(18)Electronic volume mode set	0	1	0	1	0	0	0	0	0	0	1	Set the V5 output voltage electronic volume register
Electronic volume register set	0	1	0	*	*	Electronic volume value						
(19)Static indicator ON/OFF	0	1	0	1	0	1	0	1	1	0	0	0: OFF,1: ON
Static indicator register set	0	1	0	*	*	*	*	*	*	*	mode	Set the flashing mode
(20)Power saver												Display OFF and display all points ON compound command
(21)NOP	0	1	0	1	1	1	0	0	0	1	1	Command for non-operation
(22)Test	0	1	0	1	1	1	1	*	*	*	*	Command for IC test. Do not use this command
(23)Test mode reset	0	1	0	1	1	1	1	0	0	0	0	Enter during the refresh sequence.

(Note)*: disabled data

8-2.DISPLAY DATA RAM and ADDRESSES

Page Address D3D2D1D0	Data												Line address	COM output
0,0,0,0	D0												00H	COM0
	D1												01H	COM1
	D2												02H	COM2
	D3												03H	COM3
	D4												04H	COM4
	D5												05H	COM5
	D6												06H	COM6
	D7												07H	COM7
0,0,0,1	D0												08H	COM8
	D1												09H	COM9
	D2												0AH	COM10
	D3												0BH	COM11
	D4												0CH	COM12
	D5												0DH	COM13
	D6												0EH	COM14
	D7												0FH	COM15
0,0,1,0	D0												10H	COM16
	D7												17H	COM23
0,0,1,1	D0												18H	COM24
	D7												1FH	COM31
0,1,0,0	D0												20H	COM32
	D7												27H	COM39
0,1,0,1	D0												28H	COM40
	D7												2FH	COM47
0,1,1,0	D0												30H	COM48
	D1												31H	COM49
	D2												32H	COM50
	D3												33H	COM51
	D4												34H	COM52
	D5												35H	COM53
	D6												36H	COM54
	D7												37H	COM55
0,1,1,1	D0												38H	COM56
	D1												39H	COM57
	D2												3AH	COM58
	D3												3BH	COM59
	D4												3CH	COM60
	D5												3DH	COM61
	D6												3EH	COM62
	D7												3FH	COM63
1,0,0,0	D0												Page 8	COMS
Column address	ADC													
	D0 = 0	83 00	82 01	81 02	80 03	7F 04	7E 05	7D 06	7C 07	---	82	83		
	D0 = 1									---	01	00		
	LC	SEG0	SEG1	SEG2	SEG3	SEG4	SEG5	SEG6	SEG7	---	SEG130	SEG131		
	CD													
	UT													

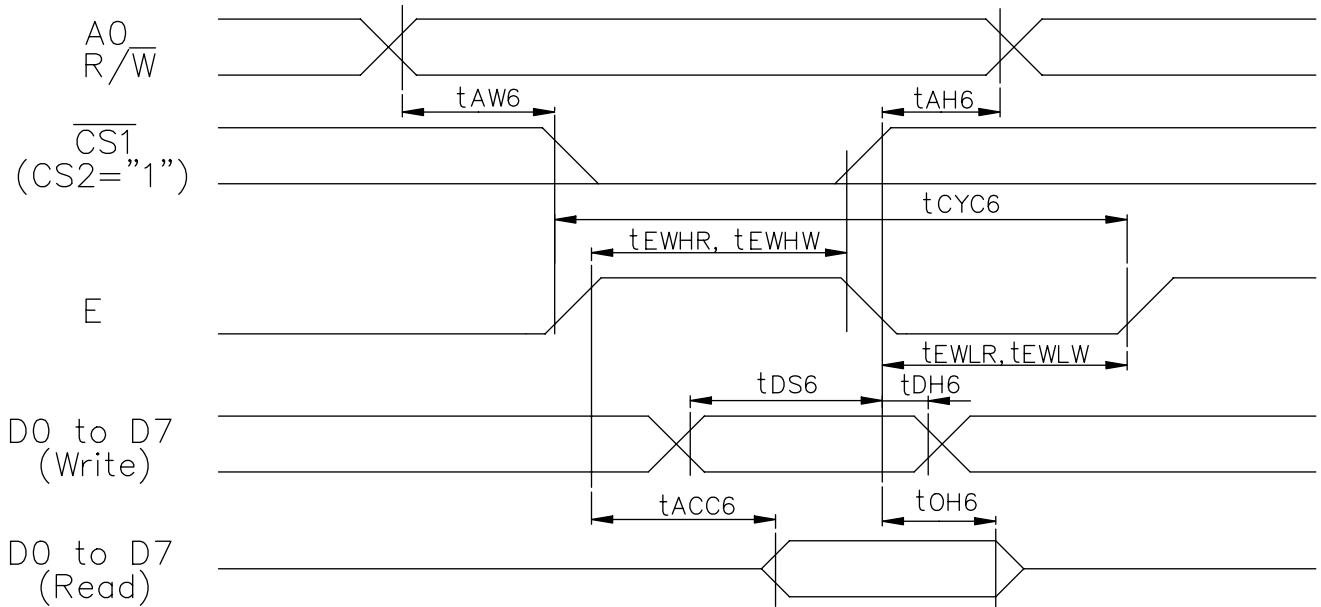
when the common output mode is normal

1/64

Start

9-1. TIMING CHARACTERISTICS

(For 6800 Series MPU)



VDD=4.5~5.5V, Ta=-40~85°C

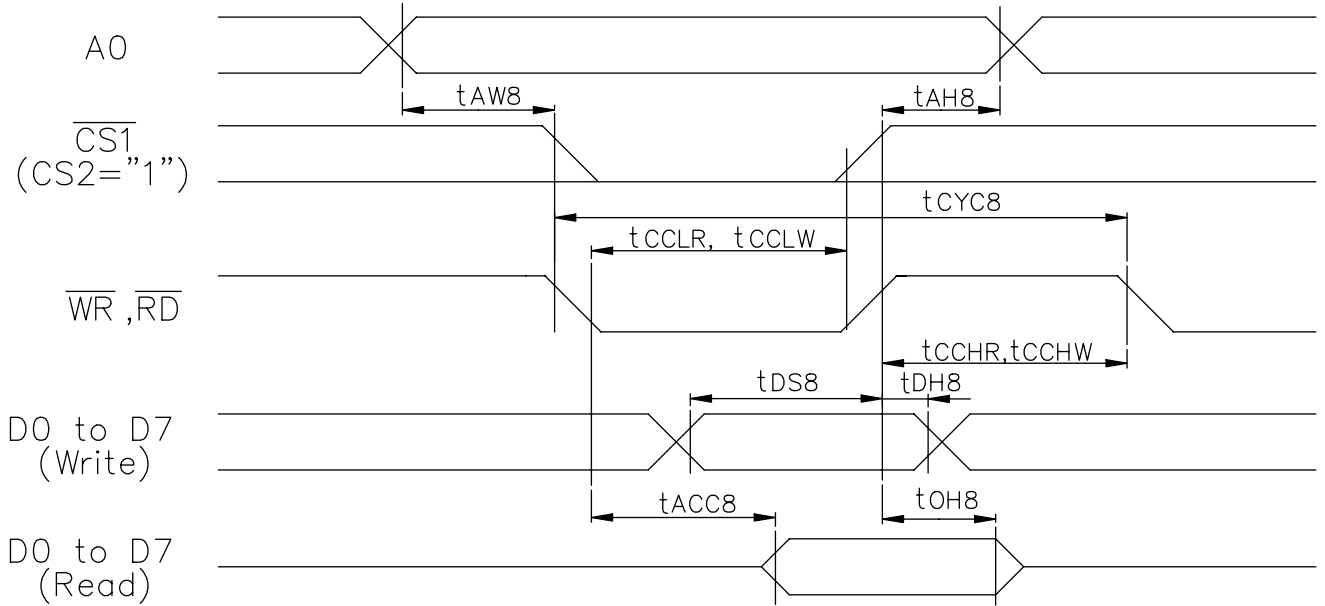
Item	Signal	Symbol	Condition	Rating		Unites
				Min	Max	
Address hold time	A0	tAH6		0	-	ns
Address setup time	A0	tAW6		0	-	ns
System cycle time	A0	tCYC6		166	-	ns
Data setup time	D0 to D7	tDS6		30	-	ns
Data hold time		tDH6		10	-	ns
Access time	D0 to D7	tACC6	CL=100pF	-	70	ns
Output disable time		tOH6		10	50	ns
Enable H pulse time	Read Write	E	tEWHR tEHWL	70	-	ns
				30	-	ns
Enable L pulse time	Read Write	E	tEWLR tEWLW	30	-	ns
				30	-	ns

VDD=2.7~4.5V, Ta=-40~85°C

Item	Signal	Symbol	Condition	Rating		Unites
				Min	Max	
Address hold time	A0	tAH6		0	-	ns
Address setup time	A0	tAW6		0	-	ns
System cycle time	A0	tCYC6		300	-	ns
Data setup time	D0 to D7	tDS6		40	-	ns
Data hold time		tDH6		15	-	ns
Access time	D0 to D7	tACC6	CL=100pF	-	140	ns
Output disable time		tOH6		10	100	ns
Enable H pulse time	Read Write	E	tEWHR tEHWL	120	-	ns
				60	-	ns
Enable L pulse time	Read Write	E	tEWLR tEWLW	60	-	ns
				60	-	ns

9-2. TIMING CHARACTERISTICS

(For 8080 Series MPU)



VDD=4.5~5.5V, Ta=-40~85°C

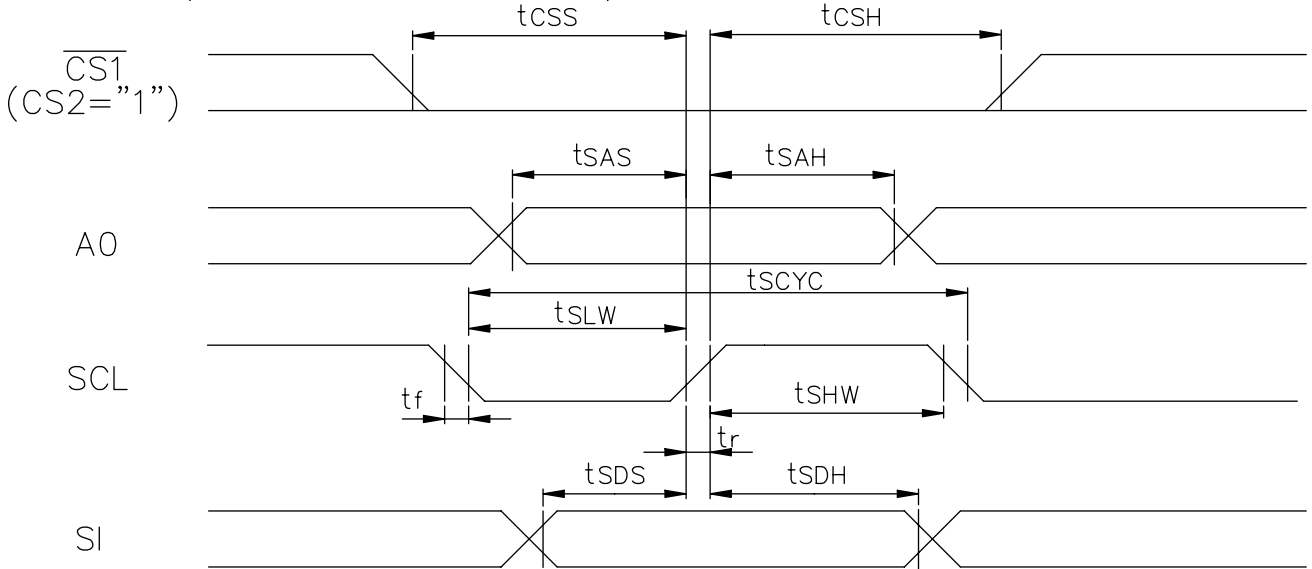
Item	Signal	Symbol	Condition	Rating		Unites
				Min	Max	
Address hold time	A0	tAH8		0	—	ns
Address setup time	A0	tAW8		0	—	ns
System cycle time	A0	tCYC8		166	—	ns
Control L pulse width	\overline{WR}	tCCLW		30	—	ns
Control L pulse width	\overline{RD}	tCCLR		70	—	ns
Control H pulse width	\overline{WR}	tCCHW		30	—	ns
Control H pulse width	\overline{RD}	tCCHR		30	—	ns
Data setup time	D0 to D7	tDS8		30	—	ns
Data hold time		tDH8		10	—	ns
\overline{RD} access time	D0 to D7	tACC8	CL=100pF	—	70	ns
Output disable time		tOH8		5	50	ns

VDD=2.7~4.5V, Ta=-40~85°C

Item	Signal	Symbol	Condition	Rating		Unites
				Min	Max	
Address hold time	A0	tAH8		0	—	ns
Address setup time	A0	tAW8		0	—	ns
System cycle time	A0	tCYC8		300	—	ns
Control L pulse width	\overline{WR}	tCCLW		60	—	ns
Control L pulse width	\overline{RD}	tCCLR		120	—	ns
Control H pulse width	\overline{WR}	tCCHW		60	—	ns
Control H pulse width	\overline{RD}	tCCHR		60	—	ns
Data setup time	D0 to D7	tDS8		40	—	ns
Data hold time		tDH8		15	—	ns
\overline{RD} access time	D0 to D7	tACC8	CL=100pF	—	140	ns
Output disable time		tOH8		10	100	ns

9-3. TIMING CHARACTERISTICS

(For Series Interface)



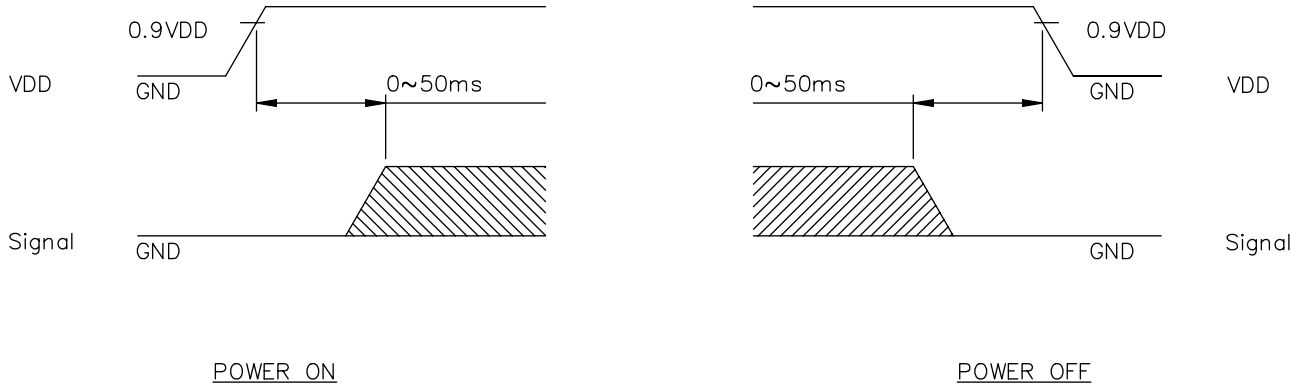
VDD=4.5~5.5V, Ta=-40~85°C

Item	Signal	Symbol	Condition	Rating		Unites
				Min	Max	
Serial Clock Period		tSCYC		200	-	ns
SCL "H" pulse width	SCL	tSHW		75	-	ns
SCL "L" pulse width	SCL	tSLW		75	-	ns
Address setup time	A0	tSAS		50	-	ns
Address hold time	A0	tSAH		100	-	ns
Data setup time	SI	tSDS		50	-	ns
Data hold time	SI	tSDH		50	-	ns
CS-SCL time	CS	tCSS		100	-	ns
		tCSH		100	-	ns

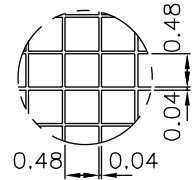
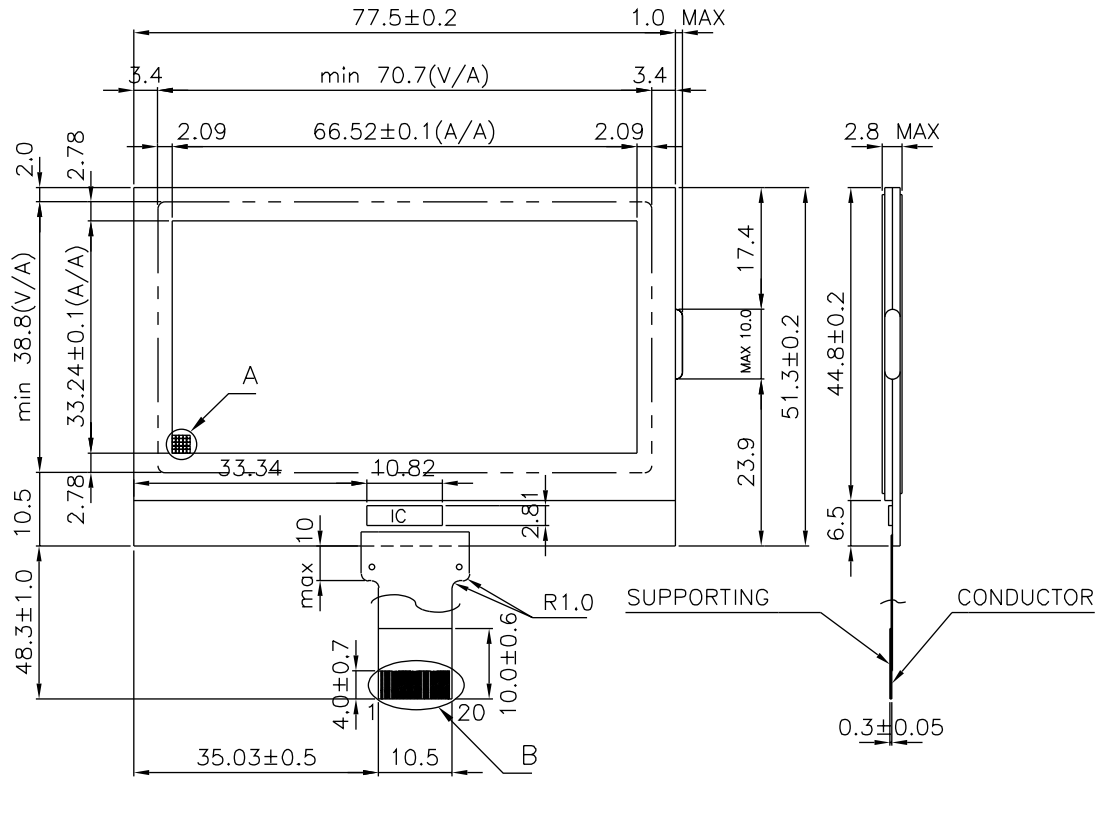
VDD=2.7~4.5V, Ta=-40~85°C

Item	Signal	Symbol	Condition	Rating		Unites
				Min	Max	
Serial Clock Period		tSCYC		250	-	ns
SCL "H" pulse width	SCL	tSHW		100	-	ns
SCL "L" pulse width	SCL	tSLW		100	-	ns
Address setup time	A0	tSAS		150	-	ns
Address hold time	A0	tSAH		150	-	ns
Data setup time	SI	tSDS		100	-	ns
Data hold time	SI	tSDH		100	-	ns
CS-SCL time	CS	tCSS		150	-	ns
		tCSH		150	-	ns

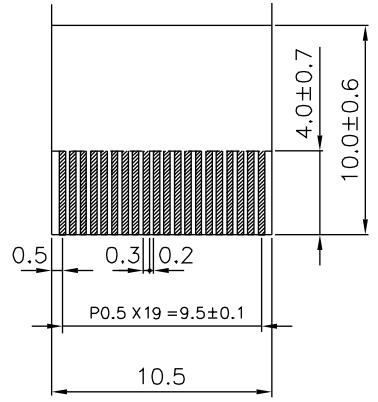
9-4. POWER ON/OFF TIMING



Missing pixels may occur when the LCM is driven beyond the above power interface timing sequence.



A DETAIL
1:10



B DETAIL
1:3

Note:
 1.RESOLUTION : 128X64
 2.COG IC : SED1565
 3.GLASS THICKNESS : 1.1 mm
 4.GENERAL TOLERANCE: ±0.2mm

NO	SYMBOL
1	V5
2	V4
3	V3
4	V2
5	V1
6	N.C
7	CAP2+
8	CAP2-
9	CAP1-
10	CAP1+
11	VOUT
12	VSS
13	VDD
14	D7(SI)
15	D6(SCL)
16	RD
17	WR
18	AO
19	RES
20	CS1

		AGM1264E		AZ DISPLAYS, INC.	
	APPROVE	NAME	DATE	TITLE	
	CHECK			DWG-NO	Rev.0
	DESIGN				
	DRAW	Kiki	88.03.23		
					UNIT : mm
				THIRD ANGLE PROJECT	SCALE : 0.85/1