

**INFINITY** Amphenol Data/Telecom's High Speed INFINITY (4X/12X) series of plugs facilitate data speeds up to 75 Gbps total bandwidth, as required by InfiniBand™, Fibre Channel and Serial Attached SCSI Trade Associations. INFINITY plug and connector systems are high-density, hot pluggable and meet SFF-8470 specifications. Plug kits are available with a variety of cable size options as well as a unique low profile version that will allow for connection to two receptacles – one on top of the other – in a 1U form factor chassis.



## APPLICATIONS

- InfiniBand™
  - Fibre Channel
  - 10Gb Ethernet
  - SAS, External (Serial Attached SCSI)
  - SFF-8470
  - CX4
- 
- Datacom Devices
  - HCAs (Host Controller Adapters)
  - High Speed Routers and Switches
  - Storage Devices
  - SANs (Storage Area Networks)
  - Servers
  - RAID
  - XAUI

## ORDERING INFORMATION

Contact Amphenol for additional options

### Infinity Plug

U66 - N 04 - 1 1 1 0

#### INFINITY PLUG KIT

#### PLATING OPTION

**N** - 50µ" Gold with PCB  
**L** - 30µ" Gold with PCB

#### CABLE TYPE

**04** - 4X  
**12** - 12X

#### CABLE SIZE

**1** - 24 AWG\*  
**2** - 26/28 AWG\*\*  
**3** - 28 AWG\*\*\*

#### KEYING OPTIONS

**0** - All Keying slots (Standard)

#### APPLICATION

**1** - Lanyard Latch for 24AWG wire only  
*Applications: InfiniBand™*  
**2** - Screw Lock  
*Applications: Fibre Channel / SAS / 10Gb Ethernet*  
**3** - Lanyard Latch Style - Low Profile (26/28 AWG only)  
*Applications: InfiniBand™*

#### FERRULE OPTION

**0** - No Ferrule  
**1** - Ferrule

#### NOTES

- \* Lanyard 4X application or Thumbscrew 4X and 12X application
- \*\* Cable build-up required for 28 AWG
- \*\*\* Thumbscrew application only

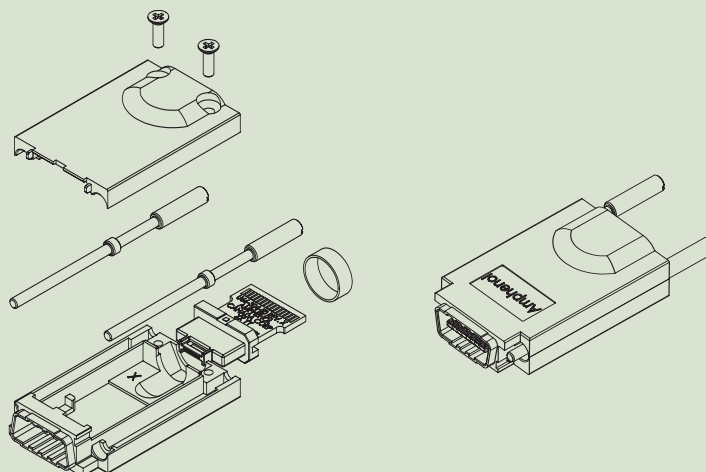
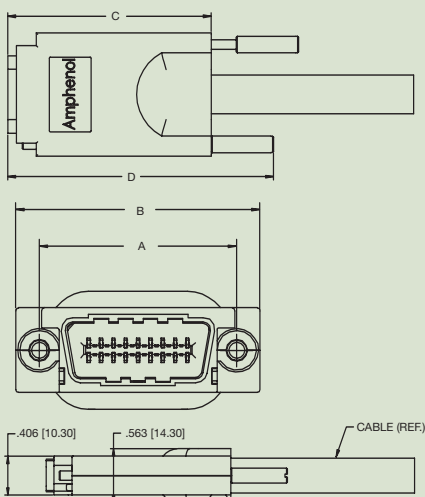
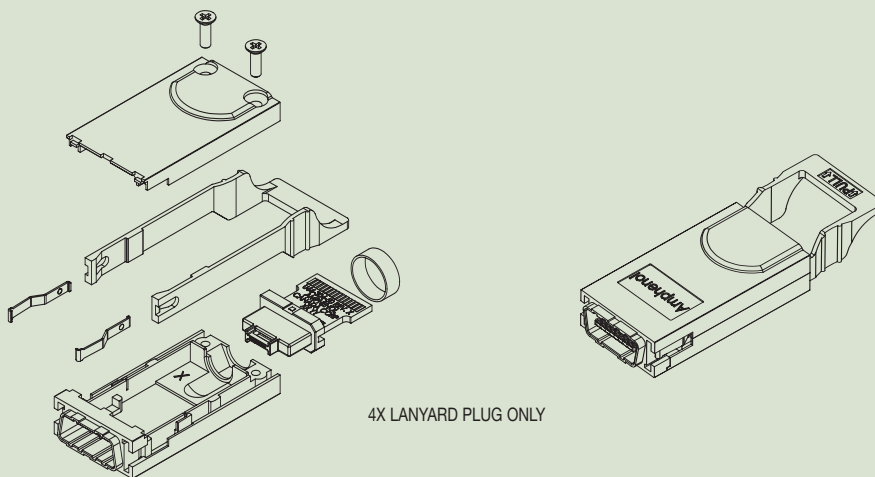
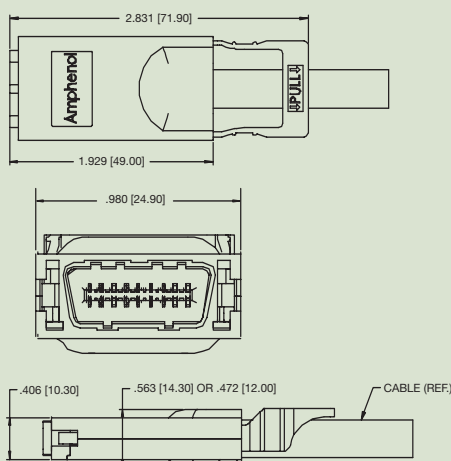
## MATERIAL SPECIFICATIONS

<b>Plastic Insert</b>	High temperature resistant nylon; Flammability rating – UL94V-0
<b>Contacts</b>	Phosphor bronze; 50μ” [1.27μm] or 30μ” [0.76μm] gold plating over nickel on contact mating area and tin-lead plating over nickel on termination area
<b>Shield</b>	Die cast; Nickel plated

## ELECTRICAL AND ENVIRONMENTAL SPECIFICATIONS

<b>Current Rating</b>	0.5 Amps maximum/contact	<b>DWV</b>	30 VAC
<b>Contact Resistance</b>	80mΩ maximum initial	<b>Operating Temperature</b>	-40°C to +85°C
<b>Insulation Resistance</b>	1000MΩ minimum	<b>Durability</b>	250 mating cycles

## TECHNICAL SPECIFICATIONS / ISOMETRIC VIEWS



THUMBSCREW PLUG	A	B	C	D
4X	0.945 [24.00]	1.169 [29.70]	1.929 [49.00]	2.620 [64.00]
12X	1.890 [48.00]	2.108 [53.54]	2.207 [56.06]	2.707 [68.76]

TOLERANCE: ± 0.005 [± 0.13] DIMENSIONS TO BE USED AS REFERENCE ONLY PLEASE REFER TO SALES DRAWINGS FOR DETAILED DIMENSIONS SPECIFICATIONS SUBJECT TO CHANGE